



US00D980081S

(12) **United States Design Patent** (10) **Patent No.:** **US D980,081 S**
Hutallay et al. (45) **Date of Patent:** **** Mar. 7, 2023**

(54) **COMBINED BOTTLE AND CAP**

(71) Applicants: **Lamhi Hutallay**, Ellenwood, GA (US);
Cheik Koné, Los Angeles, CA (US)

(72) Inventors: **Lamhi Hutallay**, Ellenwood, GA (US);
Cheik Koné, Los Angeles, CA (US)

(**) Term: **15 Years**

(21) Appl. No.: **29/725,097**

(22) Filed: **Feb. 21, 2020**

(51) **LOC (14) Cl.** **09-01**

(52) **U.S. Cl.**
USPC **D9/658**; D9/655; D9/600; D9/544

(58) **Field of Classification Search**

USPC D9/516, 545–548, 568, 569–575, 600,
D9/655–664, 668
CPC B65D 81/365–368; B65D 81/36; B65D
81/60; B65D 81/00; B65D 37/00; B65D
67/00; B65D 77/00; B65D 5/02; B65D
5/4208; A63H 33/10; A63H 33/16

See application file for complete search history.

(56) **References Cited**

U.S. PATENT DOCUMENTS

D619,902 S *	7/2010	Morgan	D9/658
D684,479 S *	6/2013	Vella	D9/520
D712,274 S *	9/2014	Vella	D9/658
D835,507 S *	12/2018	Katopis	D9/451
D838,601 S *	1/2019	Katopis	D9/529
D840,809 S *	2/2019	Reaux	D9/438
D843,223 S *	3/2019	Benyehudah	D9/658
D861,492 S *	10/2019	Khuzin	D9/500
D865,532 S *	11/2019	Franco	D9/600
D866,263 S *	11/2019	Franco	D7/518
D874,272 S *	2/2020	Katopis	D9/454
D896,659 S *	9/2020	Escobar	D9/449
D925,374 S *	7/2021	Escobar	D9/658

OTHER PUBLICATIONS

Vintage Clear Glass Perfume Bottle Leaf Shaped Dauber eBay. [Online] 3 pages. Published on: Jun. 8, 2021. Retrieved May 31, 2022 from URL: <https://www.ebay.com/itm/384172682303?_trkparms=amclsrc%3DITM%26aid%3D1110006%26algo%3DHOMESPLICE.SIM%26ao%3D1%26asc%253%E2%80%A6> (Year: 2021).*

Poplar Leaf Bottle Stopper Etsy. [Online] 10 pages. First available: Feb. 4, 2022. Retrieved May 31, 2022 from URL: <https://www.etsy.com/listing/1129245073/poplar-leaf-bottle-stopper?ga_order=most_relevant&ga_search_type=all&ga_view_type=gallery&ga_search%E2%80%A6> (Year: 2022).*

Large Glass Perfume Bottle Leaf Shaped Clear Unmarked eBay. [Online] 4 pages. First available: Sep. 20, 2017. Retrieved May 31, 2022 from URL: <<https://www.ebay.com/itm/370353856768?chn=ps&mkevt=1&mkcid=28>> (Year: 2017).*

(Continued)

Primary Examiner — Shawn T Gingrich

Assistant Examiner — Anastasia Longoria

(74) *Attorney, Agent, or Firm* — Lawrence N. Ginsberg

(57) **CLAIM**

The ornamental design for a combined bottle and cap, as shown and described.

DESCRIPTION

FIG. 1 is a top, front perspective view of a combined bottle and cap, showing our new design;

FIG. 2 is a front elevational view thereof;

FIG. 3 is a rear elevational view thereof;

FIG. 4 is a right side elevational view thereof;

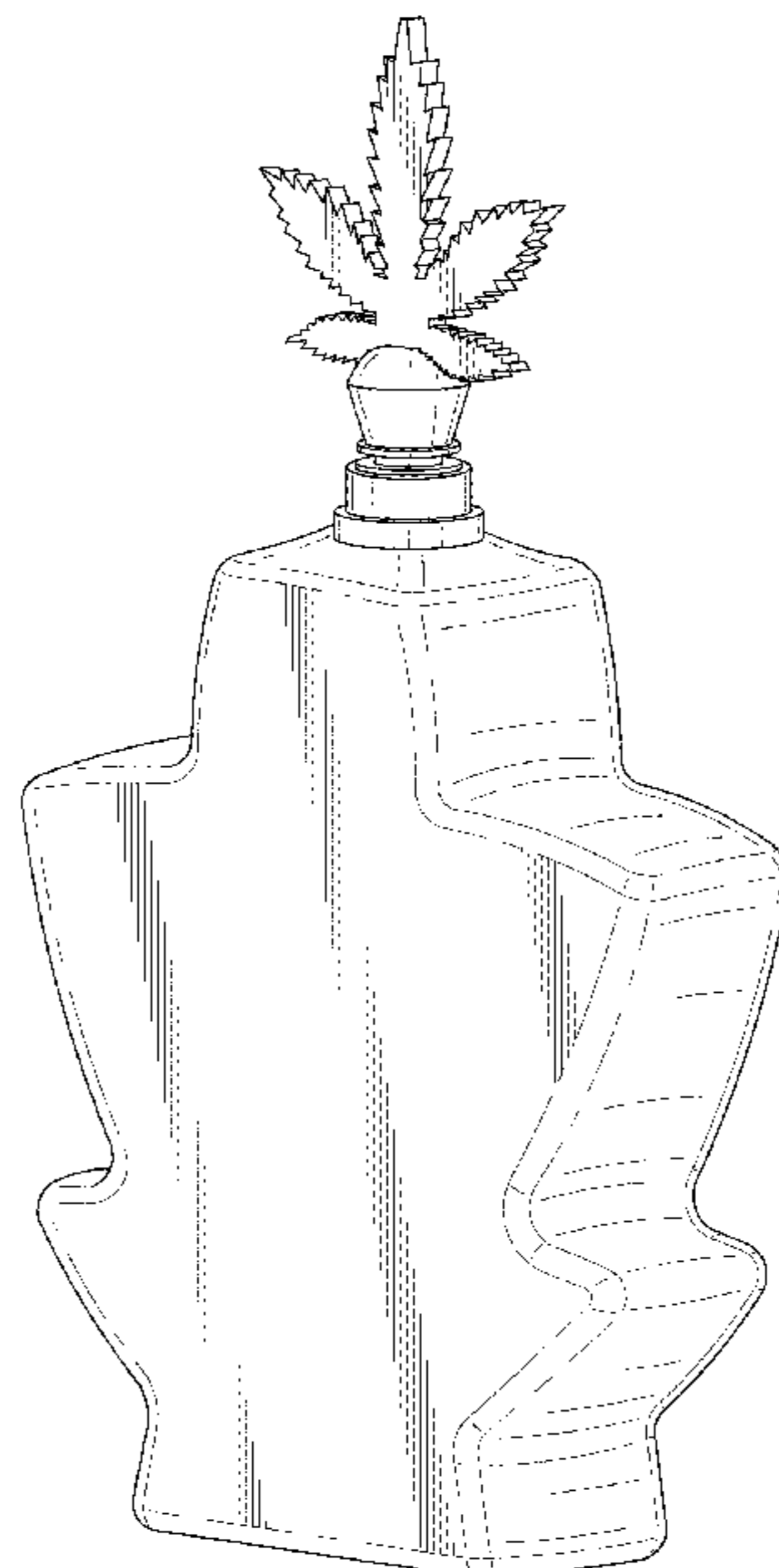
FIG. 5 is a left side elevational view thereof

FIG. 6 a top plan view thereof; and,

FIG. 7 is a bottom plan view.

The dashed broken lines depict features of the combined bottle and cap that form no part of the claimed design.

1 Claim, 4 Drawing Sheets



(56)

References Cited

OTHER PUBLICATIONS

Amazon Lustrous Leaf Copper Bottle Stopper. [Online] 9 pages. First available: Jul. 9, 2008. Retrieved May 31, 2022 from URL: <https://www.amazon.com/Lustrous-Copper-Finish-Bottle-Stopper-Laser-Cut/dp/B001E71HV4?ref_=ast_sto_dp&th=1&psc=1> (Year: 2008).*

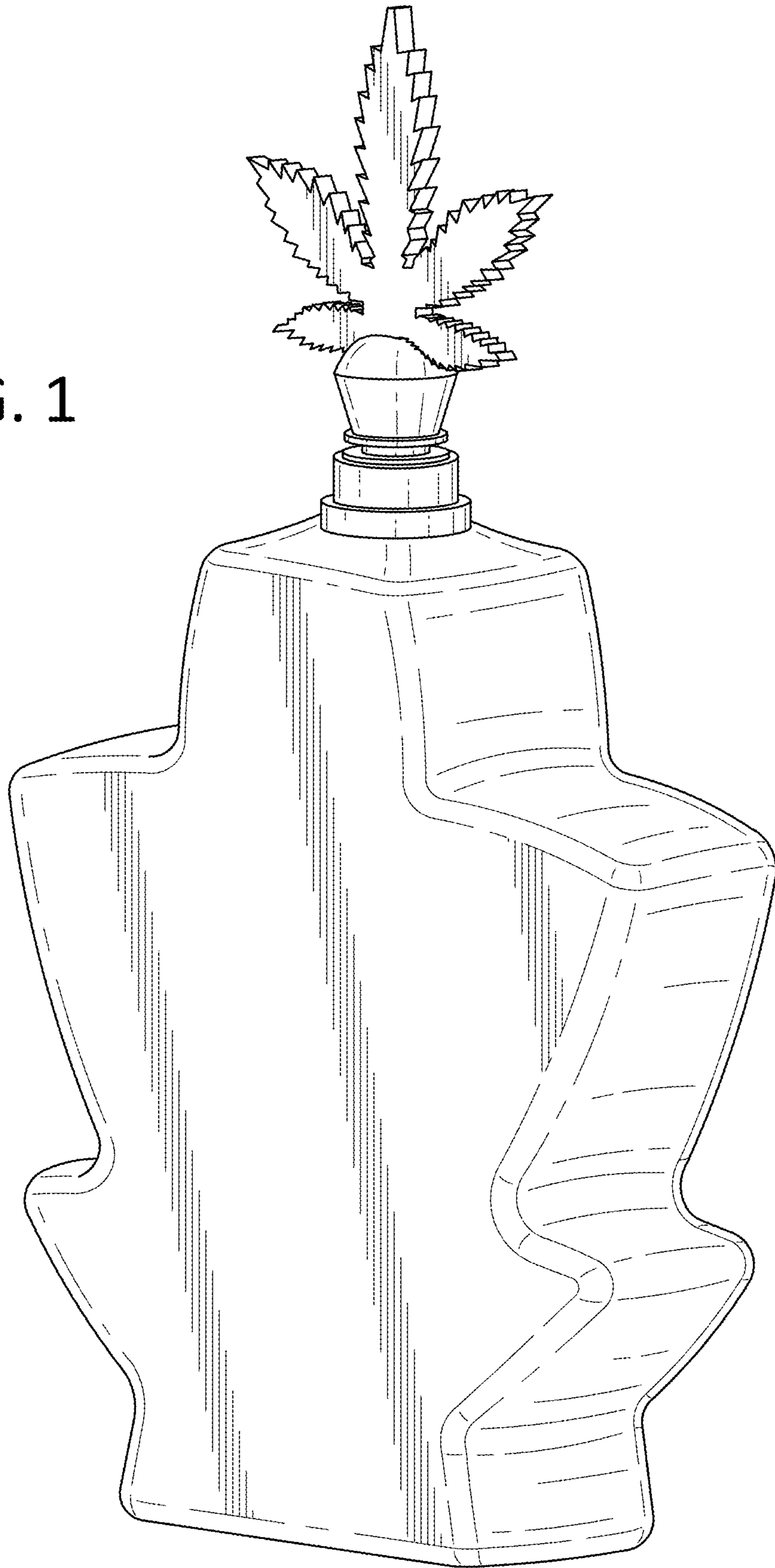
Pewter Maple Leaf Wine Stopper Etsy. [Online] 12 pages. First available: Apr. 3, 2022. Retrieved May 31, 2022 from URL: <https://www.etsy.com/listing/787641904/pewter-maple-leaf-wine-stopper?ga_order=most_relevant&ga_search_type=all&ga_view_type=gallery&ga_s%E2%80%A6> (Year: 2022).*

Amazon Glass Maple Tapper Syrup Bottle Jars. [Online] 7 pages. First available: Oct. 14, 2021. Retrieved May 31, 2022 from URL: <https://www.amazon.com/Maple-Tapper-Glass-Bottles-Self-Sealing/dp/B09JF2LTS5/ref=sr_1_1?keywords=leaf%2Bshaped%2Bbottle&qid=165402378%E2%80%A6> (Year: 2021).*

Amazon Glass Maple Tapper Syrup Bottle Jars. [Online] 6 pages. First available: May 11, 2018. Retrieved May 31, 2022 from URL: <https://www.amazon.com/Marijuana-Design-Cannabis-Bottle-Stopper/dp/B07D1977G9/ref=sr_1_11?crid=2CA1QQUPLJZS3&keywords=bottle+stoppe%E2%80%A6> (Year: 2018).*

* cited by examiner

FIG. 1



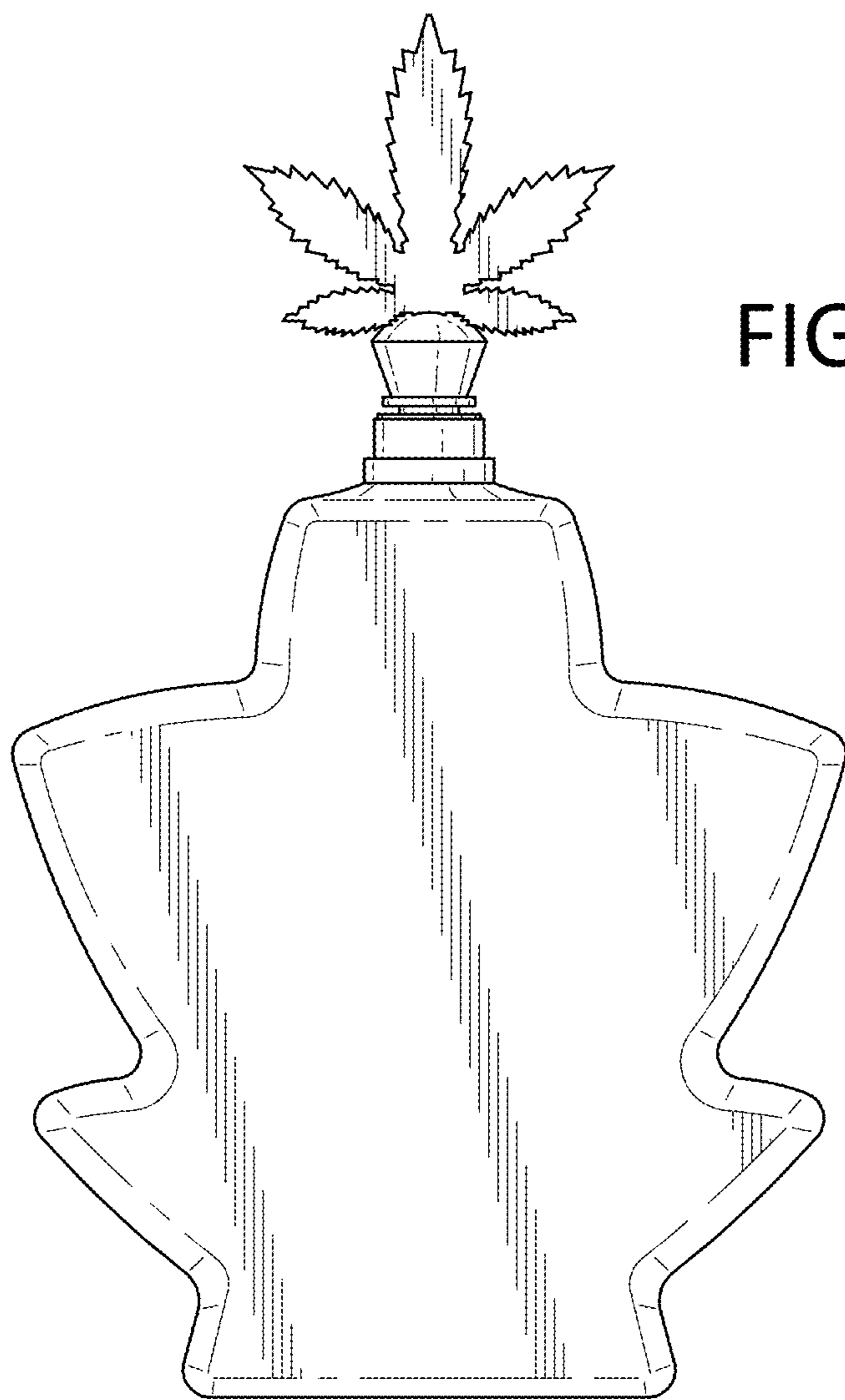


FIG. 2

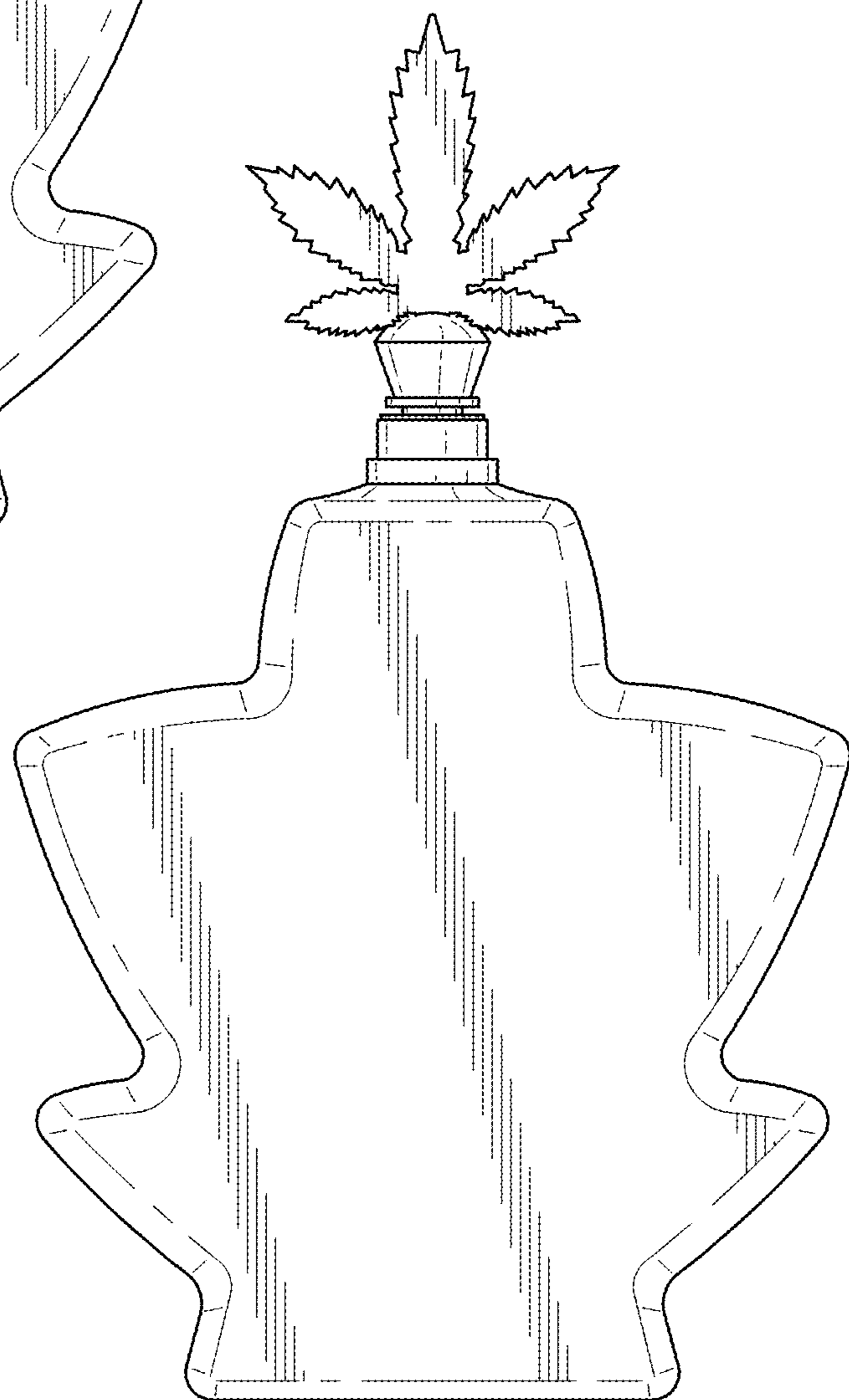


FIG. 3

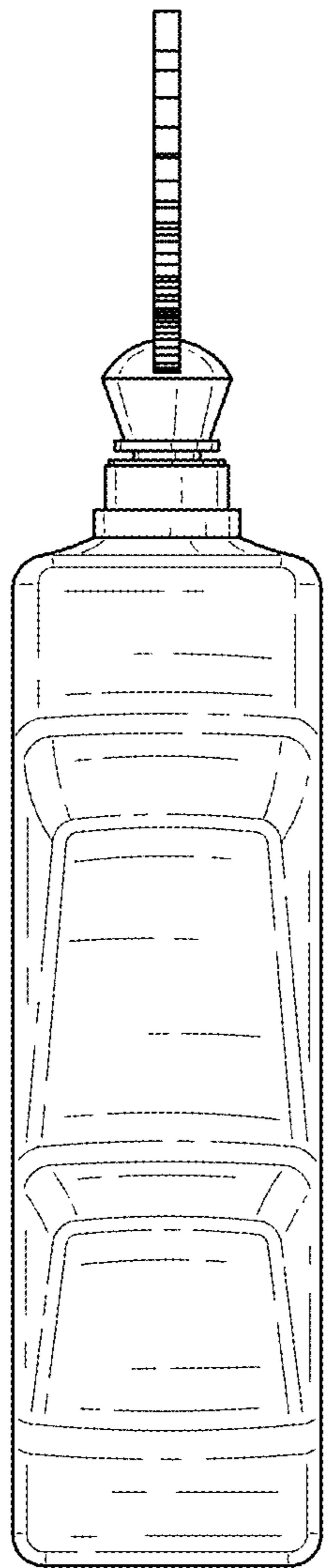


FIG. 4

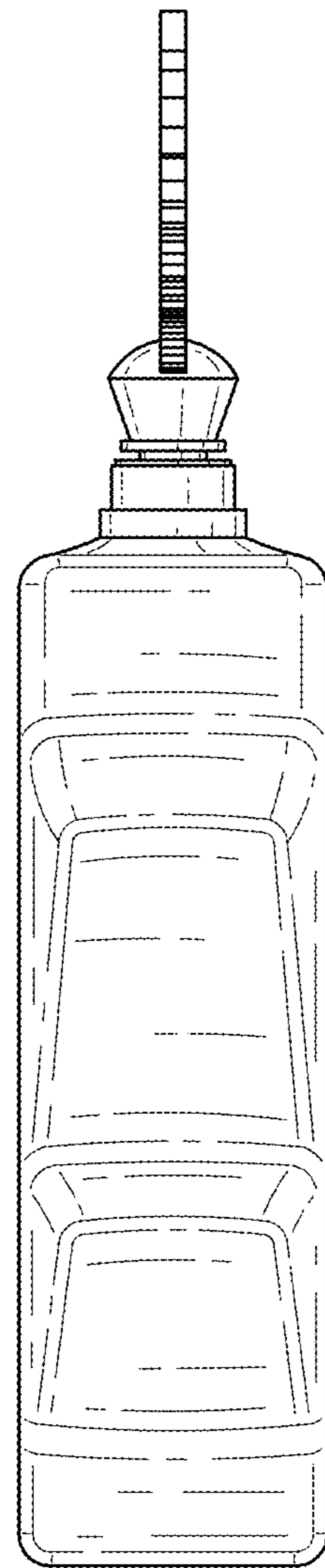


FIG. 5

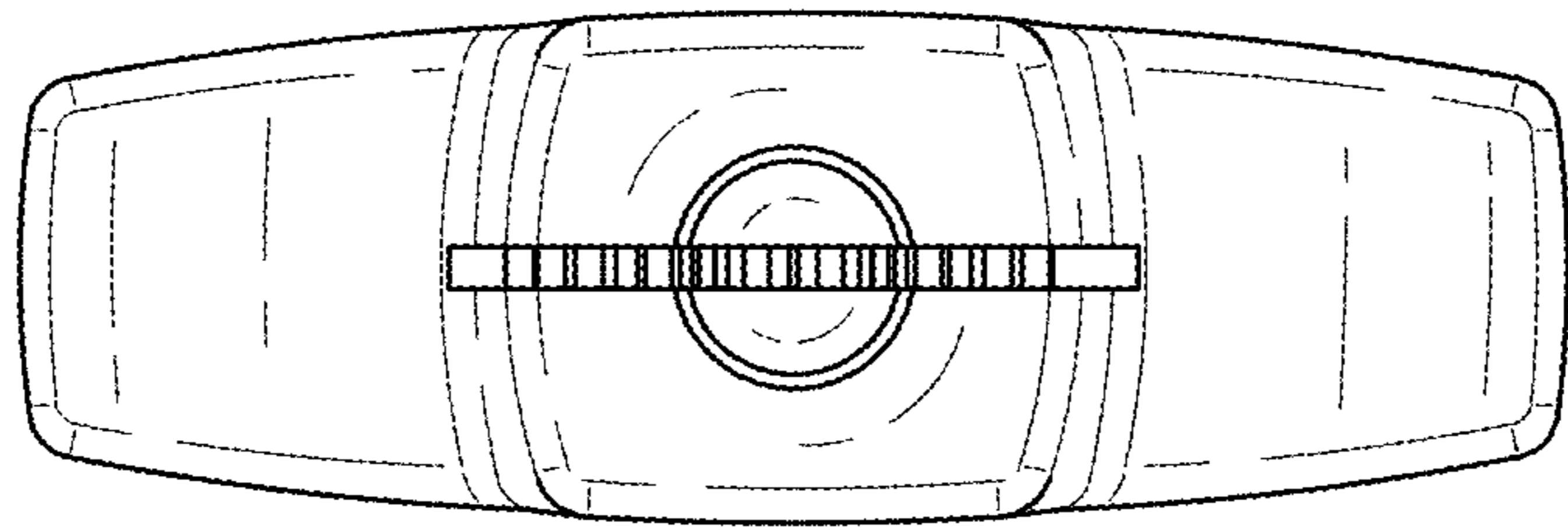


FIG. 6

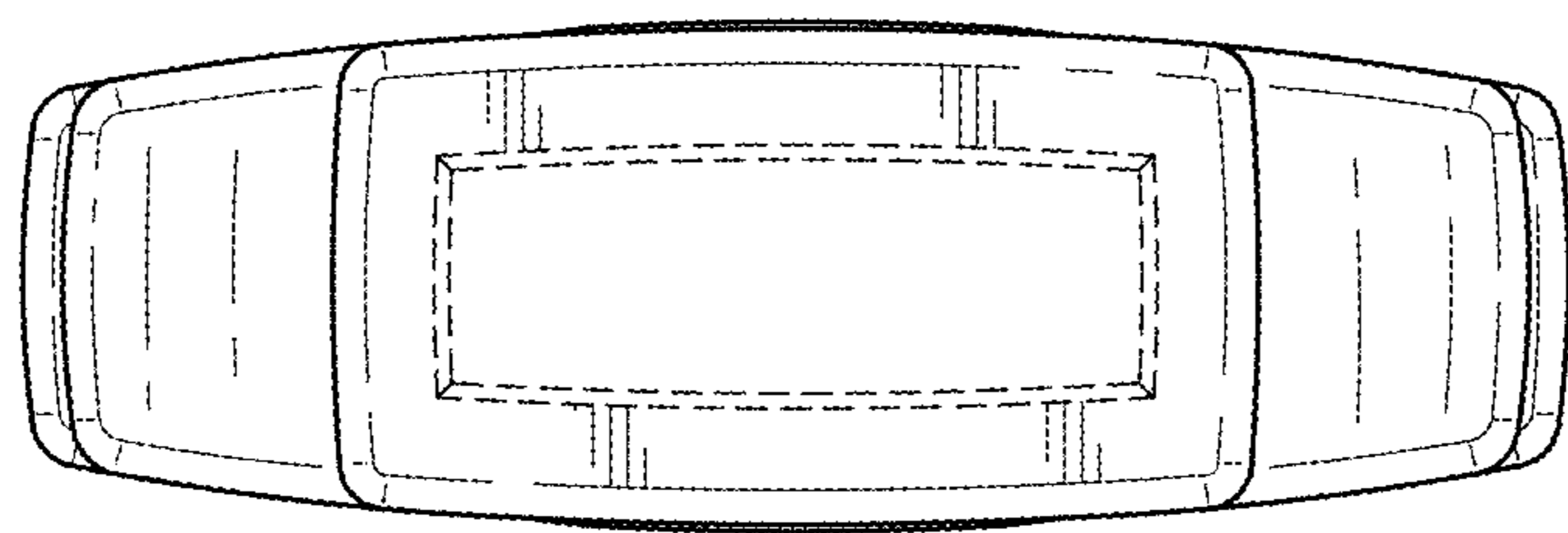


FIG. 7