



US00D980072S

(12) **United States Design Patent** (10) **Patent No.:** **US D980,072 S**
Gasmi (45) **Date of Patent:** **** Mar. 7, 2023**

(54) **COSMETICS CONTAINER**

D793,236 S * 8/2017 Santos D9/503
D861,984 S * 10/2019 Suzuki D28/4
D874,936 S * 2/2020 Son D9/504

(71) Applicant: **L'OREAL**, Paris (FR)

(Continued)

(72) Inventor: **Chafik Gasmi**, Paris (FR)

OTHER PUBLICATIONS

(73) Assignee: **L'OREAL**, Paris (FR)

Olay Face Cream, posted at Amazon.co.uk on Jul. 6, 2015, [site visited May 19, 2022]. Available from internet, URL: <https://www.amazon.co.uk/dp/B001E50IBQ/> (Year: 2015).*

(**) Term: **15 Years**

(Continued)

(21) Appl. No.: **29/765,533**

(22) Filed: **Jan. 8, 2021**

Primary Examiner — Andrew Kerr

Assistant Examiner — Chariton Alexakis

(30) **Foreign Application Priority Data**

(74) *Attorney, Agent, or Firm* — Edell, Shapiro & Finnan, LLC

Jul. 8, 2020 (EM) 008035745-0001

(51) **LOC (14) Cl.** **09-07**

(57) **CLAIM**

(52) **U.S. Cl.**

The ornamental design for a cosmetics container, as shown and described.

USPC **D9/504**

(58) **Field of Classification Search**

DESCRIPTION

USPC D9/414, 428, 434, 435, 445, 449, 451, D9/454, 500, 501, 502, 503, 504, 505, D9/516, 537, 549, 715, 772; D7/554.2, D7/601, 602, 605, 612; D28/4, 7, 8, 73, D28/76, 77, 78, 79, 80, 81, 82, 83, 84, D28/88, 90, 91.1, 99

CPC A45D 33/00; A45D 33/003; A45D 33/006; A45D 33/16; A45D 33/18; A45D 33/20; A45D 33/22; A45D 34/00; A45D 40/00; A45D 40/0068; A45D 40/0075; A45D 40/222; A61K 8/00; B65D 1/00; B65D 1/10; B65D 43/163; Y10S 206/823

See application file for complete search history.

FIG. 1 is a front, right, top perspective view of a cosmetics container.
FIG. 2 is bottom perspective view of the cosmetics container of FIG. 1.
FIG. 3 is a front elevation view of the cosmetics container of FIG. 1.
FIG. 4 is a rear elevation view of the cosmetics container of FIG. 1.
FIG. 5 is a left side elevation view of the cosmetics container of FIG. 1.
FIG. 6 is a right side elevation view of the cosmetics container of FIG. 1.
FIG. 7 is a top plan view of the cosmetics container of FIG. 1; and,
FIG. 8 is a bottom plan view of the cosmetics container of FIG. 1.

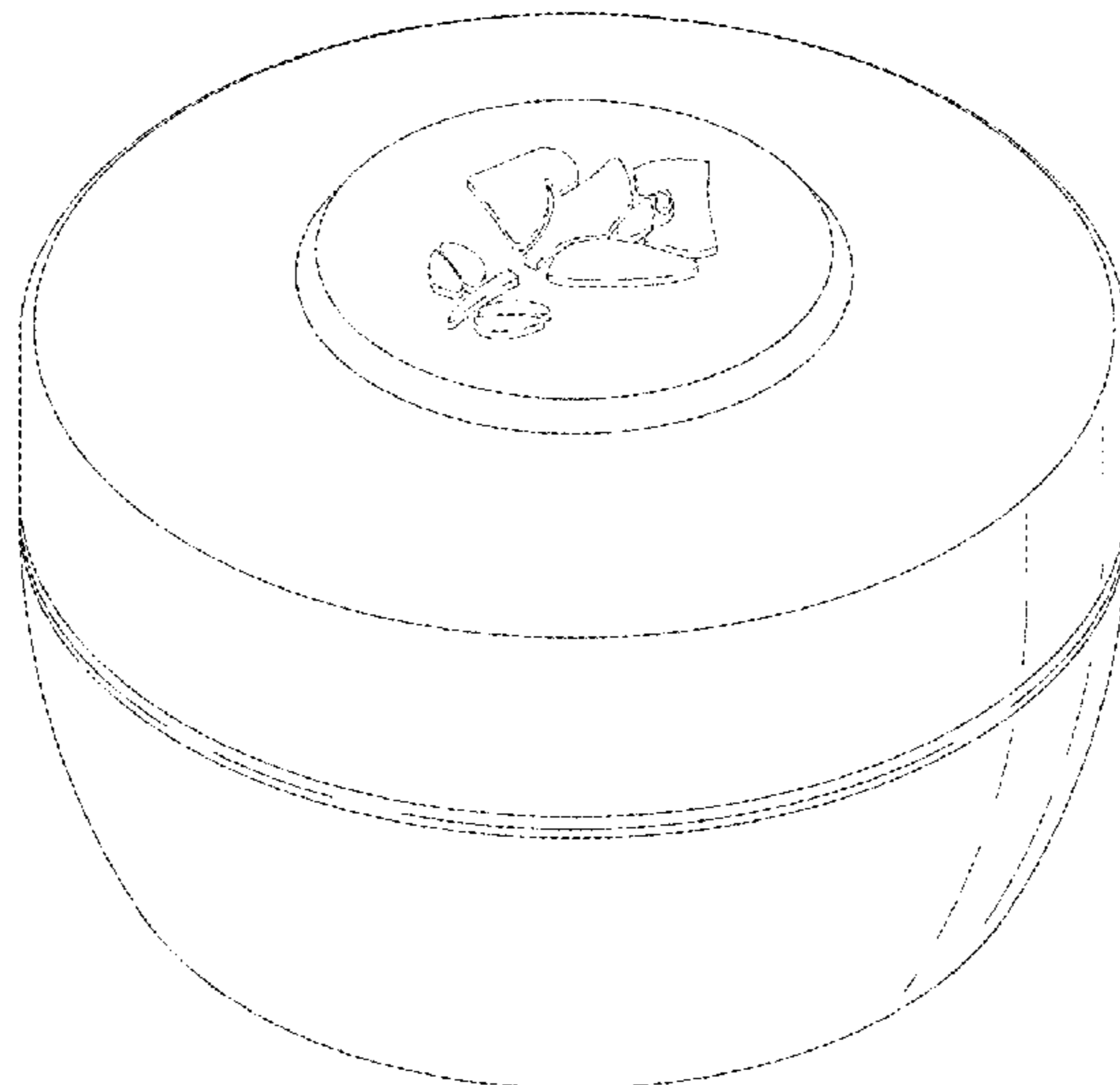
The broken lines in FIGS. 2 and 8 illustrate portions of the cosmetics container that form no part of claimed design.

(56) **References Cited**

U.S. PATENT DOCUMENTS

D405,003 S * 2/1999 Dapsanse D9/504
D664,853 S * 8/2012 Kipry D9/504
D722,404 S * 2/2015 Son D28/82
D775,959 S * 1/2017 Owen D9/504

1 Claim, 4 Drawing Sheets



(56)

References Cited

U.S. PATENT DOCUMENTS

D879,564 S * 3/2020 Adams, Jr. D7/612
D890,610 S * 7/2020 Neubauer D9/504
D891,928 S * 8/2020 Yeo B65D 51/20
D913,100 S * 3/2021 Duong A45D 33/16
D915,205 S * 4/2021 Castellanos D9/504
D918,040 S * 5/2021 Blomberg D9/504
D934,036 S * 10/2021 Jenkins D9/504
2006/0278665 A1 * 12/2006 Bennett A45D 33/16
2017/0107027 A1 * 4/2017 Sangiovanni B65D 51/20
2020/0122900 A1 * 4/2020 Stuart A45D 33/006

OTHER PUBLICATIONS

Lancome Advanced Genifique Yeux White, posted at Amazon.co.uk on Jul. 21, 2021, [site visited May 19, 2022]. Available from internet, URL: <<https://www.amazon.co.uk/Lancome-Advanced-Genifique-Yeux-White/dp/B094R89VD1/>> (Year: 2021).*

* cited by examiner

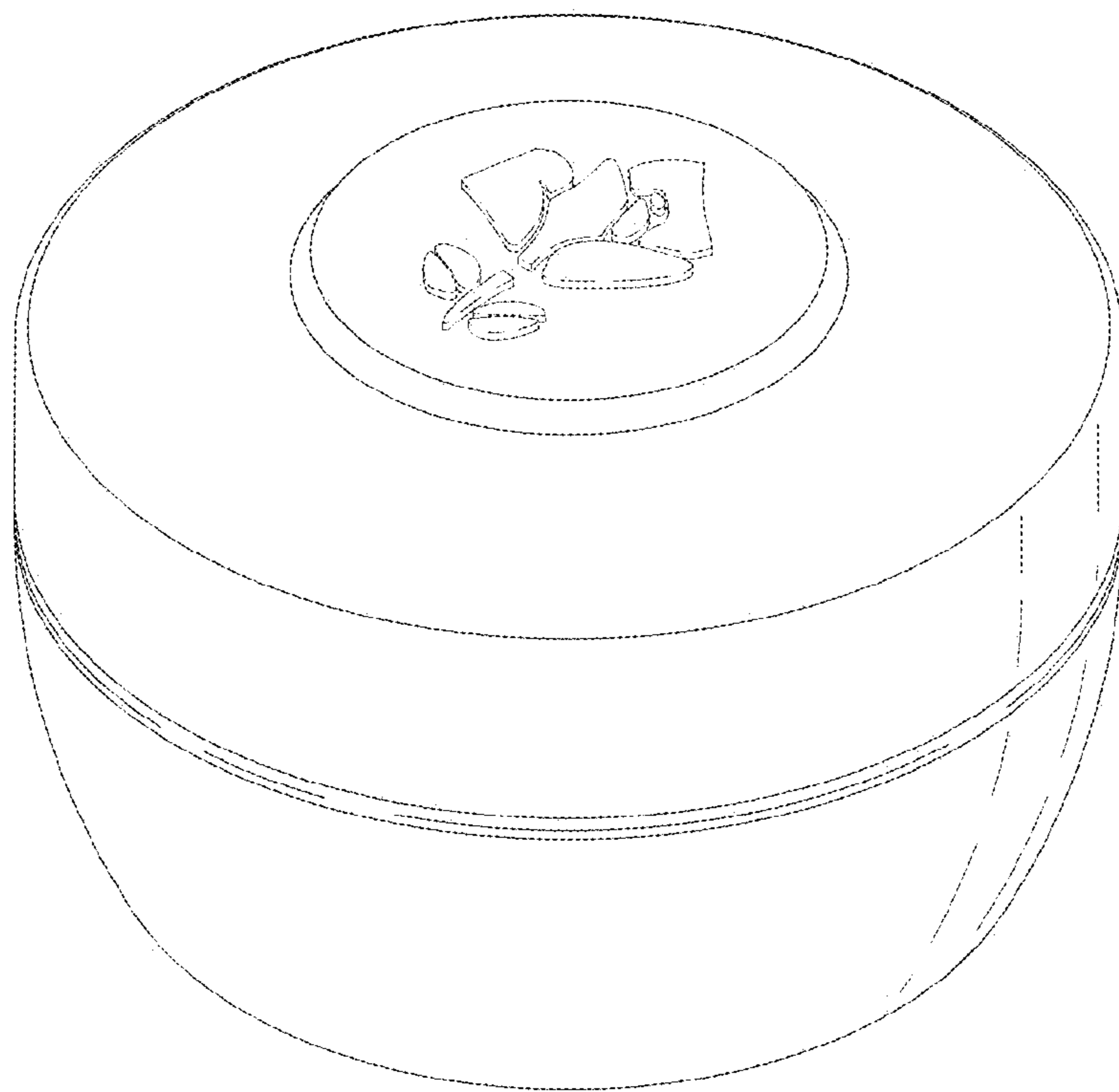


FIG. 1

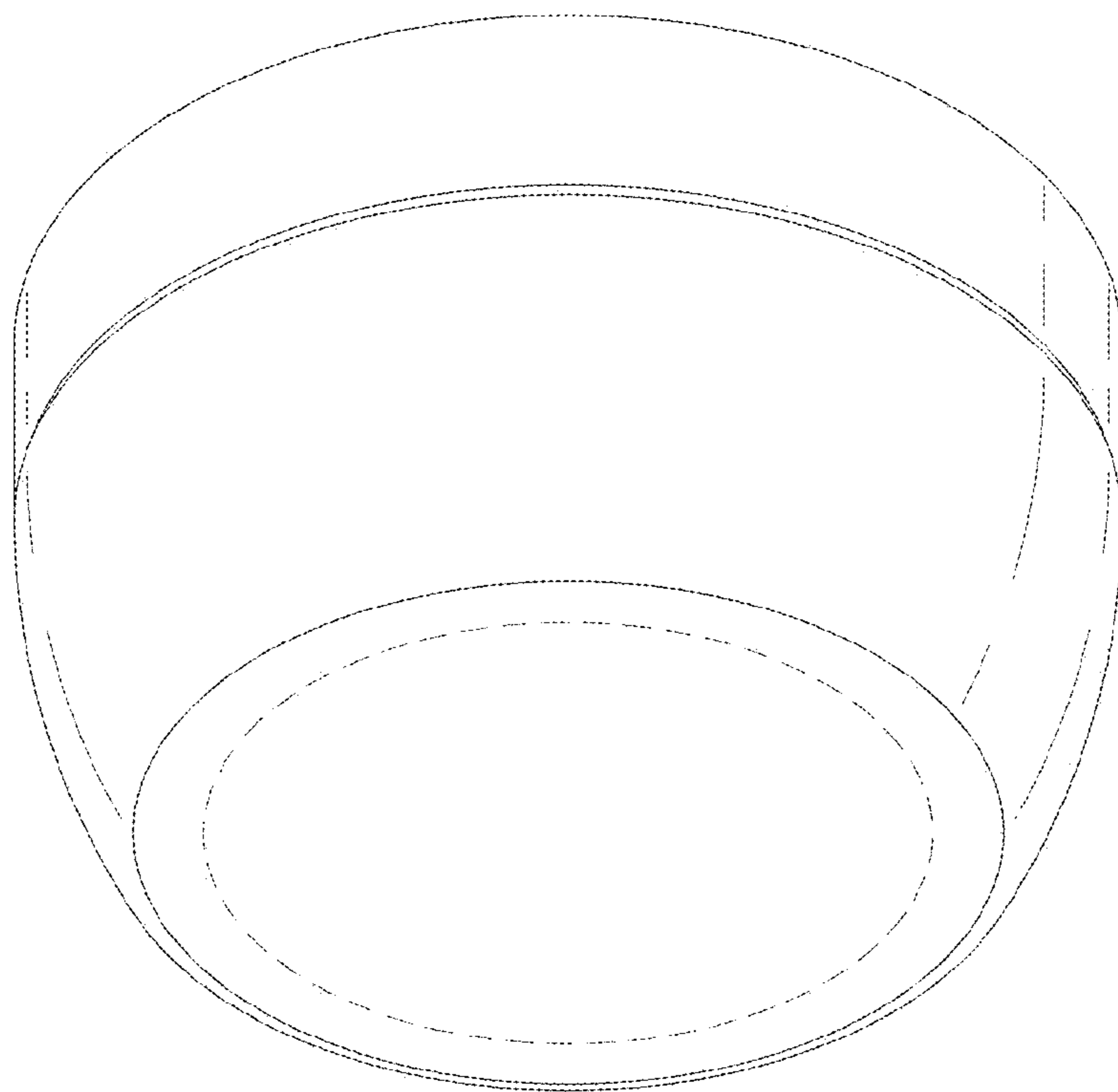


FIG. 2

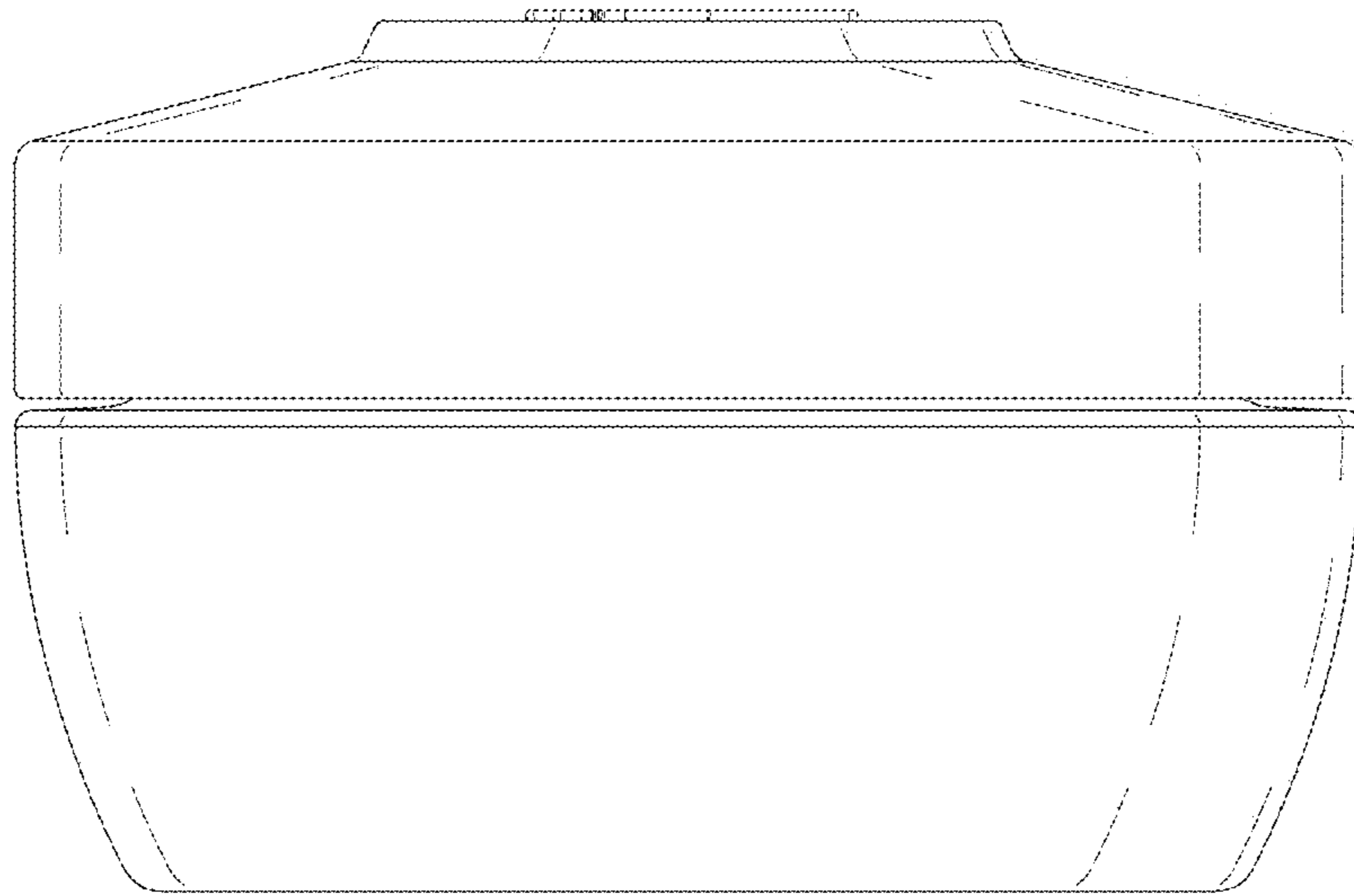


FIG.3

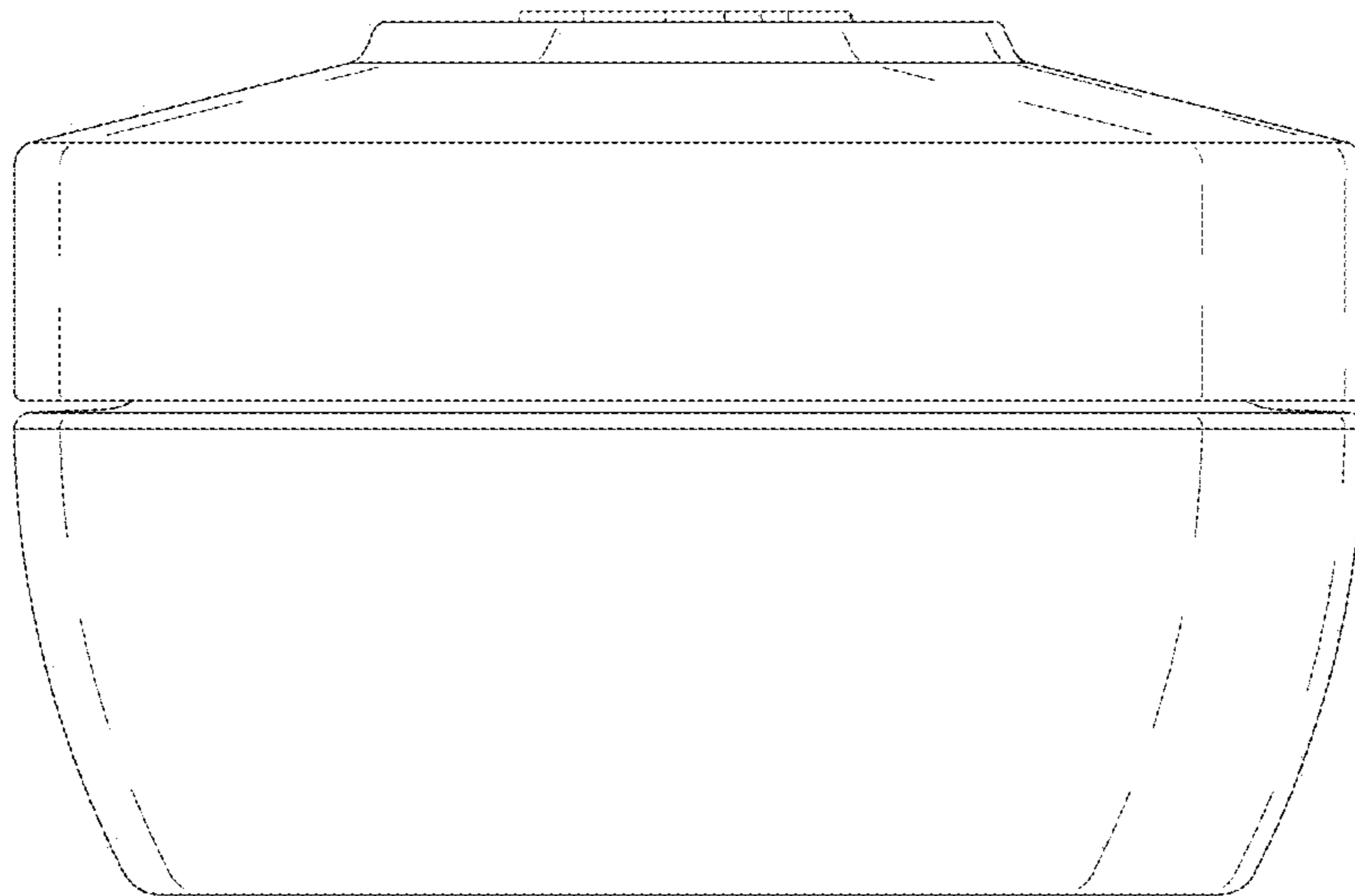


FIG.4

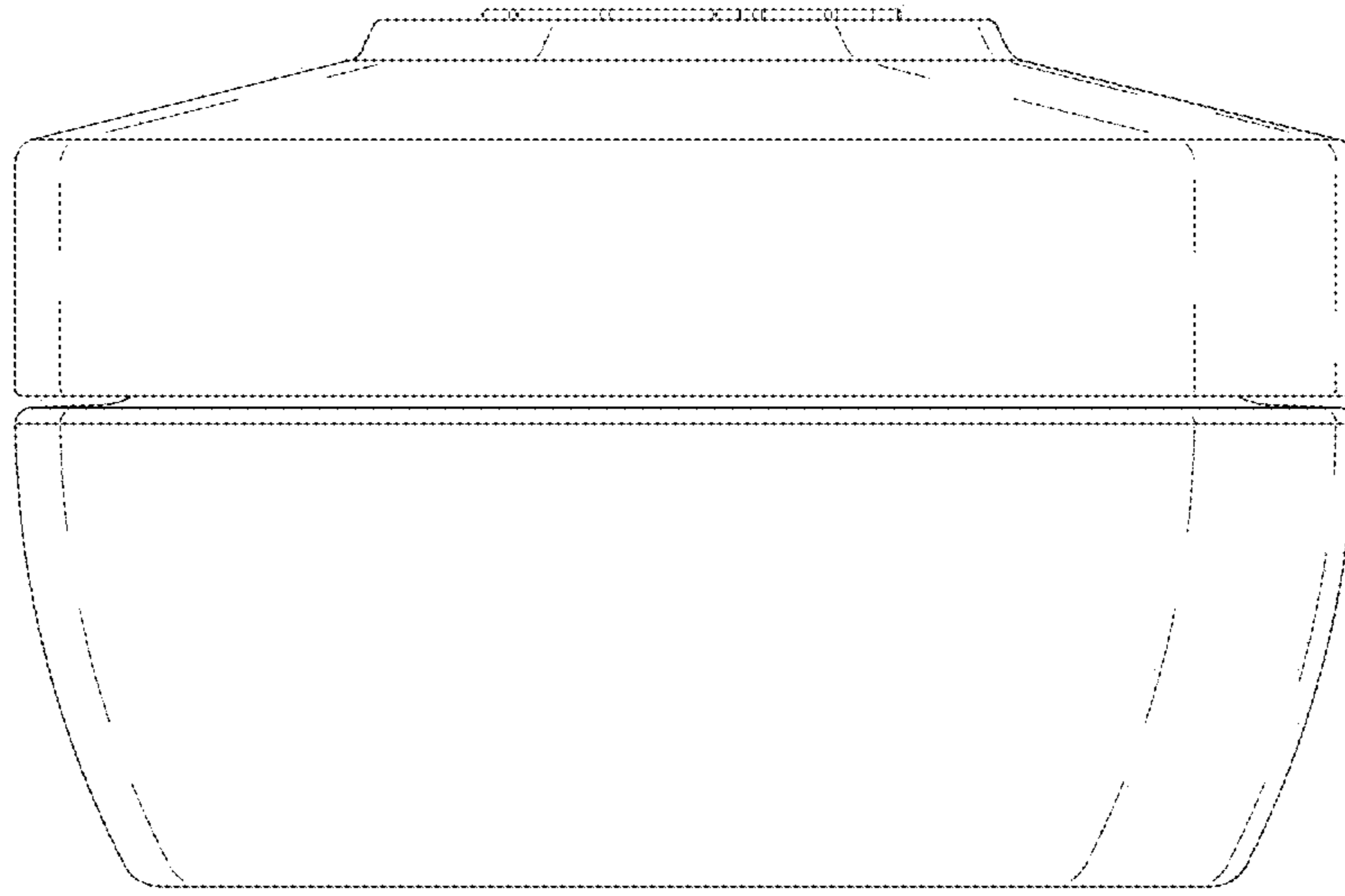


FIG.5

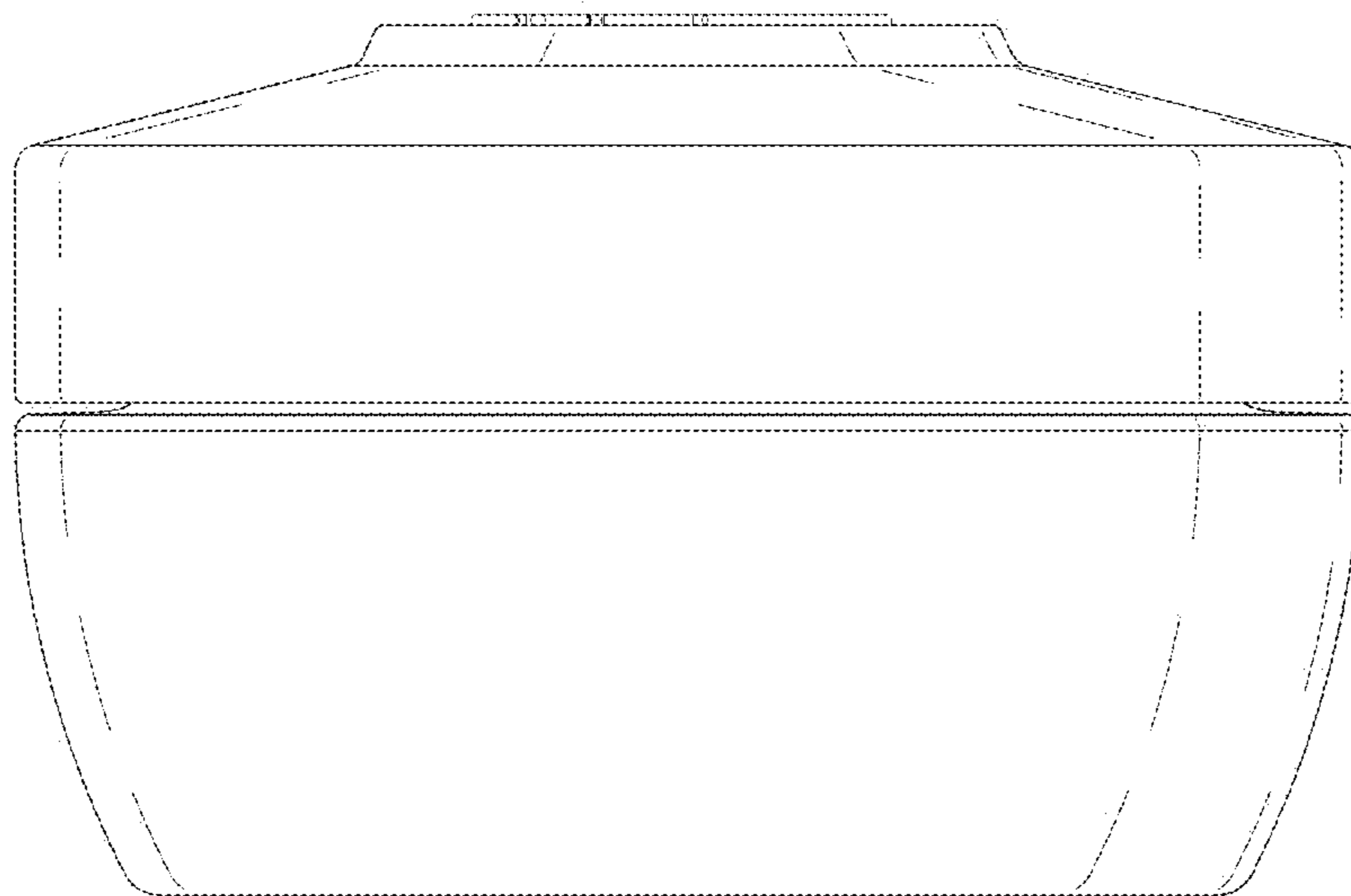


FIG.6

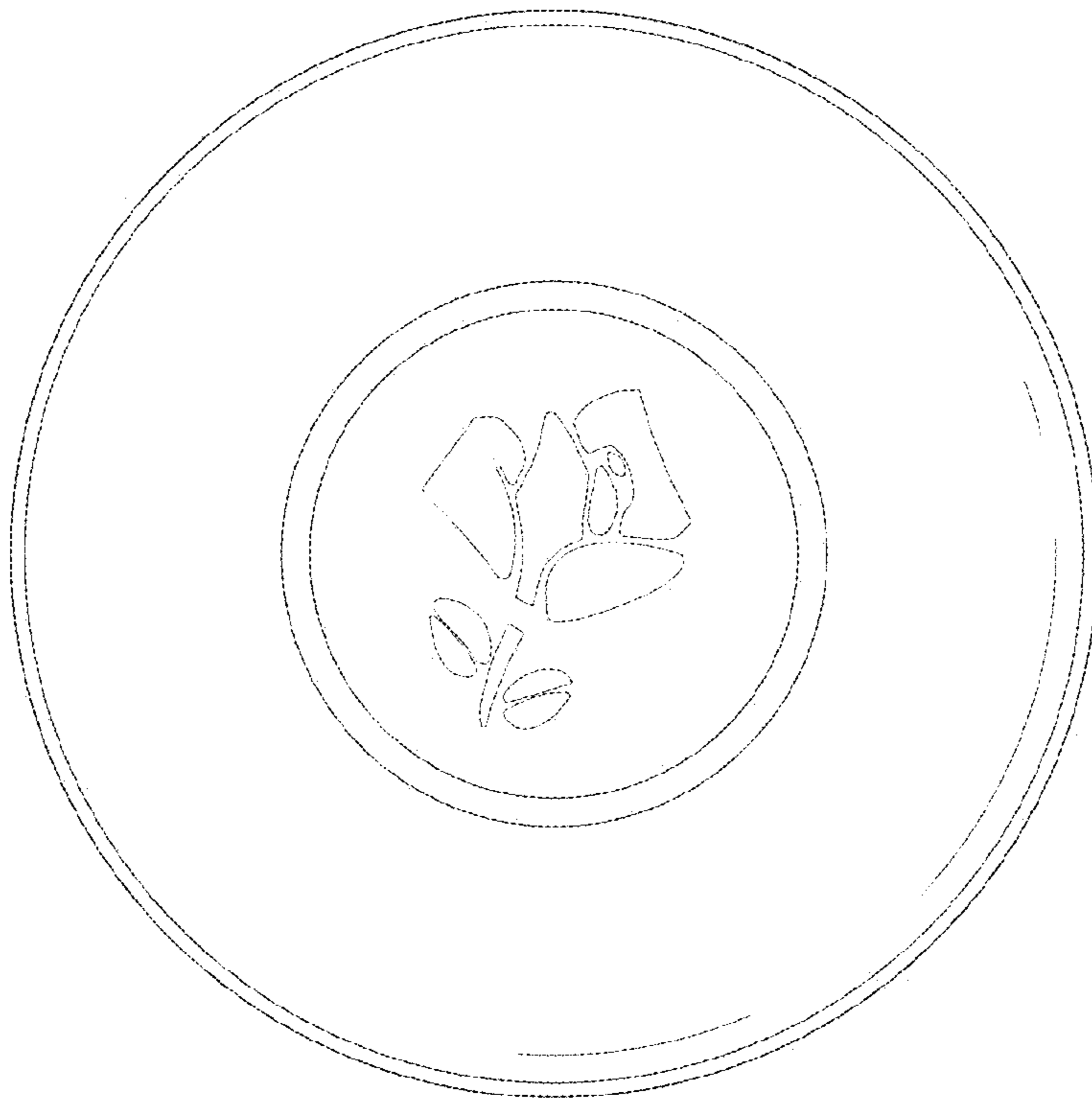


FIG. 7

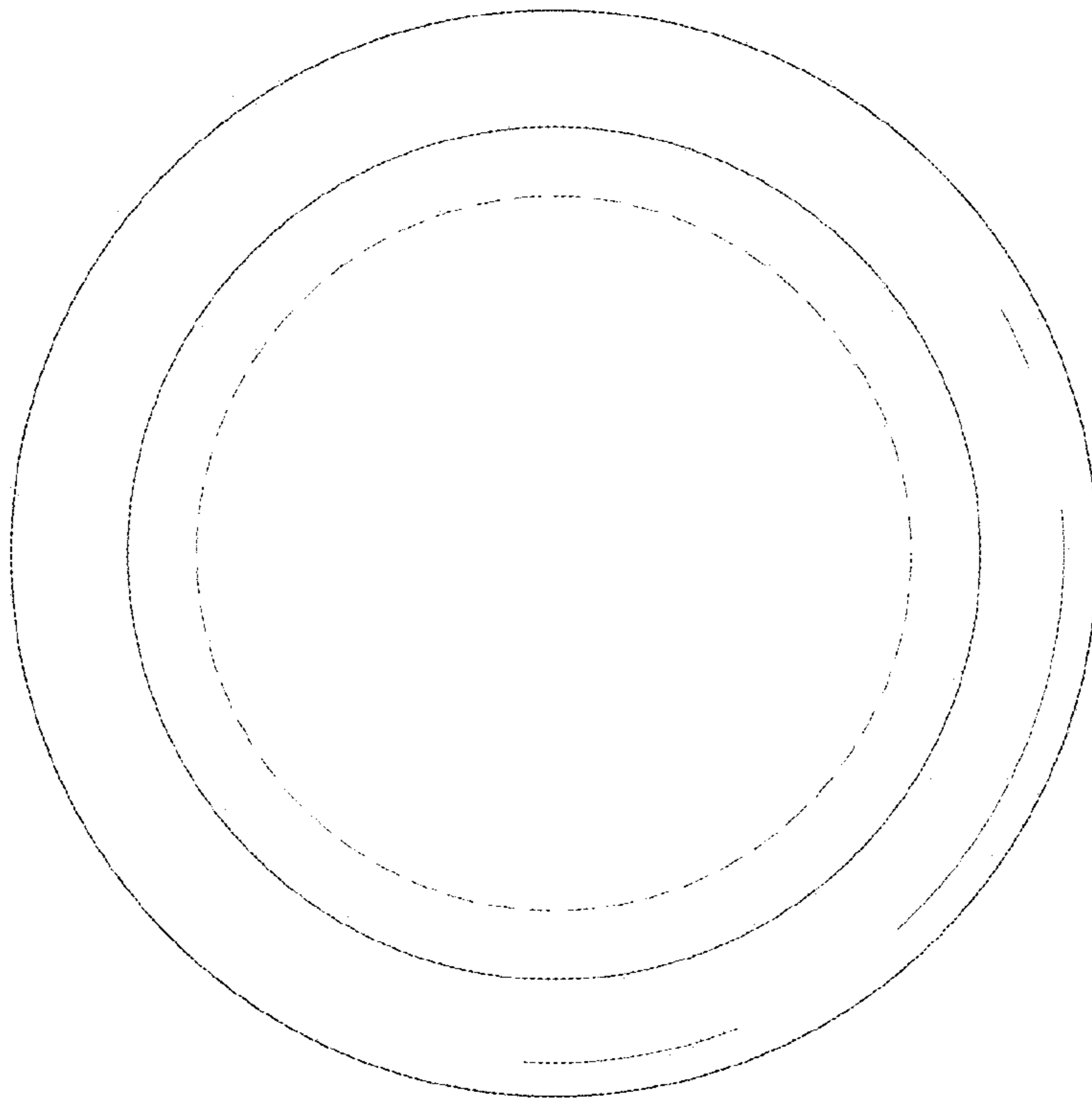


FIG. 8