



US00D980068S

(12) **United States Design Patent**  
**Meilhac**

(10) **Patent No.:** **US D980,068 S**

(45) **Date of Patent:** **\*\* Mar. 7, 2023**

(54) **LID FOR SPRAY BOTTLE**

(56) **References Cited**

(71) Applicant: **CARTIER INTERNATIONAL AG,**  
Steinhausen (CH)

U.S. PATENT DOCUMENTS

(72) Inventor: **Florian Meilhac,** Paris (FR)

D127,331 S *	5/1941	Rosenfield .....	D9/503
D381,911 S *	8/1997	Lathrop .....	D9/453
D382,482 S *	8/1997	Lathrop .....	D9/453
D518,718 S *	4/2006	von Spreckelsen .....	D9/453
D518,719 S *	4/2006	von Spreckelsen .....	D9/453
D519,835 S *	5/2006	Dubs .....	D9/438
D595,537 S *	7/2009	Mansfield .....	D9/438
D612,731 S *	3/2010	Bragg .....	D9/453
D763,685 S *	8/2016	Arriaga .....	D9/436
D768,492 S *	10/2016	Kim .....	D9/434
D819,443 S *	6/2018	Martinez Carregui .....	D9/439
D827,364 S *	9/2018	Rummel .....	D7/392.1
D834,883 S *	12/2018	Lane .....	D7/396.2
D855,471 S *	8/2019	Kim .....	D9/551
D920,042 S *	5/2021	Godinger .....	D7/393

(73) Assignee: **CARTIER INTERNATIONAL AG,**  
Steinhausen (CH)

(\*\*) Term: **15 Years**

(21) Appl. No.: **29/787,749**

(22) Filed: **Jun. 8, 2021**

(51) **LOC (14) Cl.** ..... **09-07**

(52) **U.S. Cl.**  
USPC ..... **D9/452**

(58) **Field of Classification Search**  
USPC ..... D7/387, 391, 392.1, 396.1, 396.2, 396.6,  
D7/388, 402, 403; D9/414, 415, 434,  
D9/435, 436, 438, 439, 440, 442, 443,  
D9/445, 446, 448, 449, 452, 453, 454,  
D9/455, 456, 499, 503, 504, 549, 558,  
D9/679, 721, 761; D3/201, 273, 318,  
D3/319, 323; D23/209, 258, 259, 260,  
D23/261; D24/127, 162, 193, 194, 197,  
D24/199, 224, 227; D28/91.1; D21/532;  
D8/379

CPC ..... B25B 13/5008; B25B 15/008; B65D 1/02;  
B65D 1/0233; B65D 1/08; B65D 1/10;  
B65D 41/14; B65D 41/16; B65D  
41/3428; B65D 55/16; B65D 43/169;  
B65D 43/26; B65D 43/08; B65D  
2543/00972; B65D 2525/285; B65D  
2525/286; B65D 2525/287; B65D  
2525/288; B65D 53/02; A47G 19/24;  
B67D 3/00; A24F 40/00

See application file for complete search history.

(Continued)

OTHER PUBLICATIONS

Cartier Rivieres: Announced (Sep. 9, 2021). Site Vistied (Sep. 25, 2022). Available from Internet URL: <https://www.youtube.com/watch?v=olXFRY6OCsE>.\*

(Continued)

*Primary Examiner* — Catherine S Posthauer  
(74) *Attorney, Agent, or Firm* — Oliff PLC

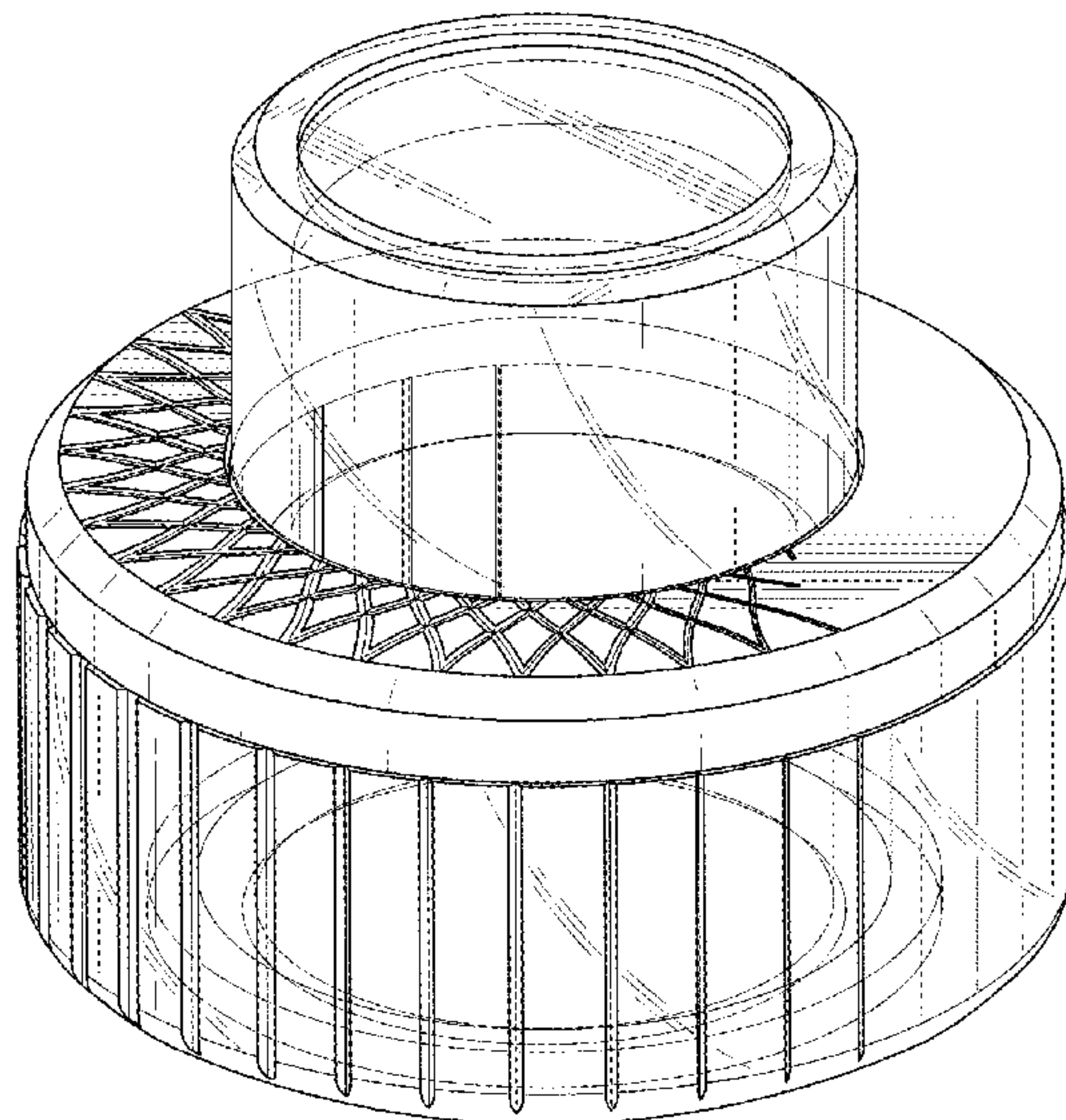
(57) **CLAIM**

The ornamental design for a lid for spray bottle, as shown and described.

**DESCRIPTION**

FIG. 1 is a front, right-side, top perspective view of a lid for spray bottle, showing the new design; FIG. 2 is a front elevational view thereof; FIG. 3 is a rear elevational view thereof; FIG. 4 is a left-side elevational view thereof; FIG. 5 is a right-side elevational view thereof; FIG. 6 is a top plan view thereof; and, FIG. 7 is a bottom plan view thereof.

**1 Claim, 5 Drawing Sheets**



(56)

**References Cited**

U.S. PATENT DOCUMENTS

D920,103 S \* 5/2021 Griffin ..... D9/434

OTHER PUBLICATIONS

Cartier Riveres: announced Jun. 13, 2021). Site Visited (Sep. 25, 2022). Available from Internet URL: <https://www.youtube.com/watch?v=WV1Xrlff9-A>.\*

Cartier Fragrance: Site Visited (Sep. 25, 2022). Available from URL: <https://www.cartier.com/en-us/art-of-living/fragrances/rivieres-de-cartier-allegresse-CRFI100002.html>.\*

\* cited by examiner

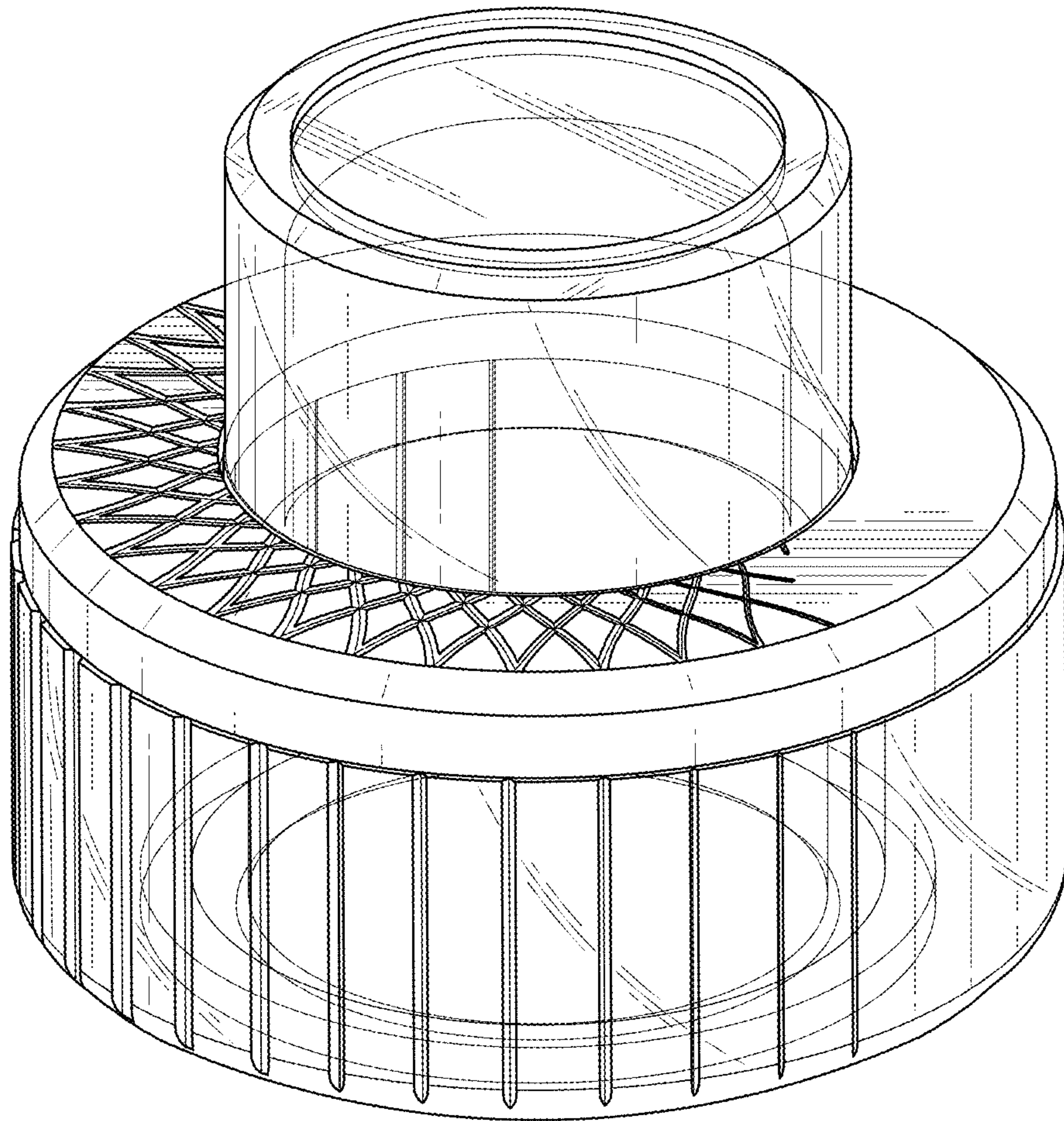


FIG. 1



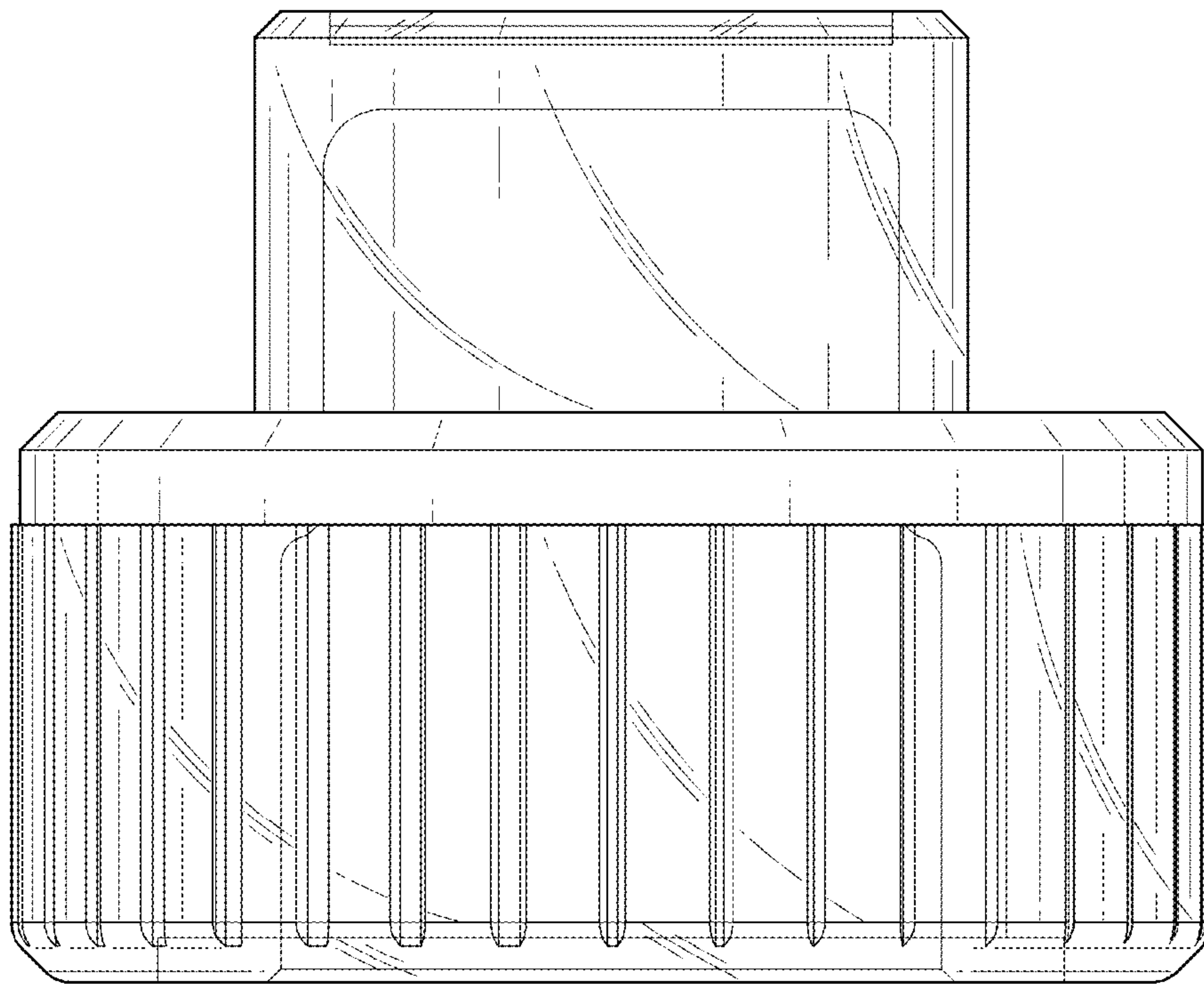


FIG. 2

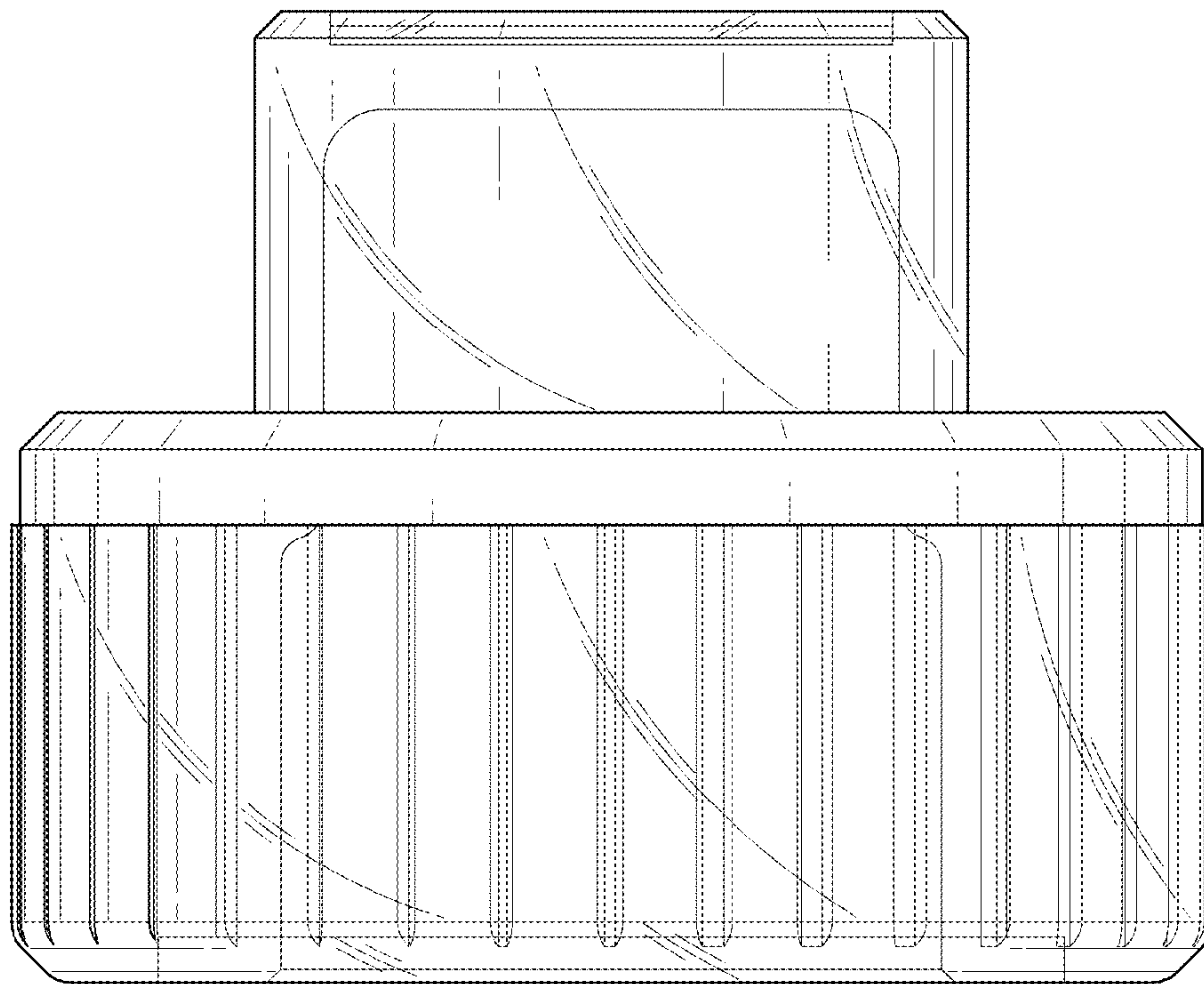


FIG. 3

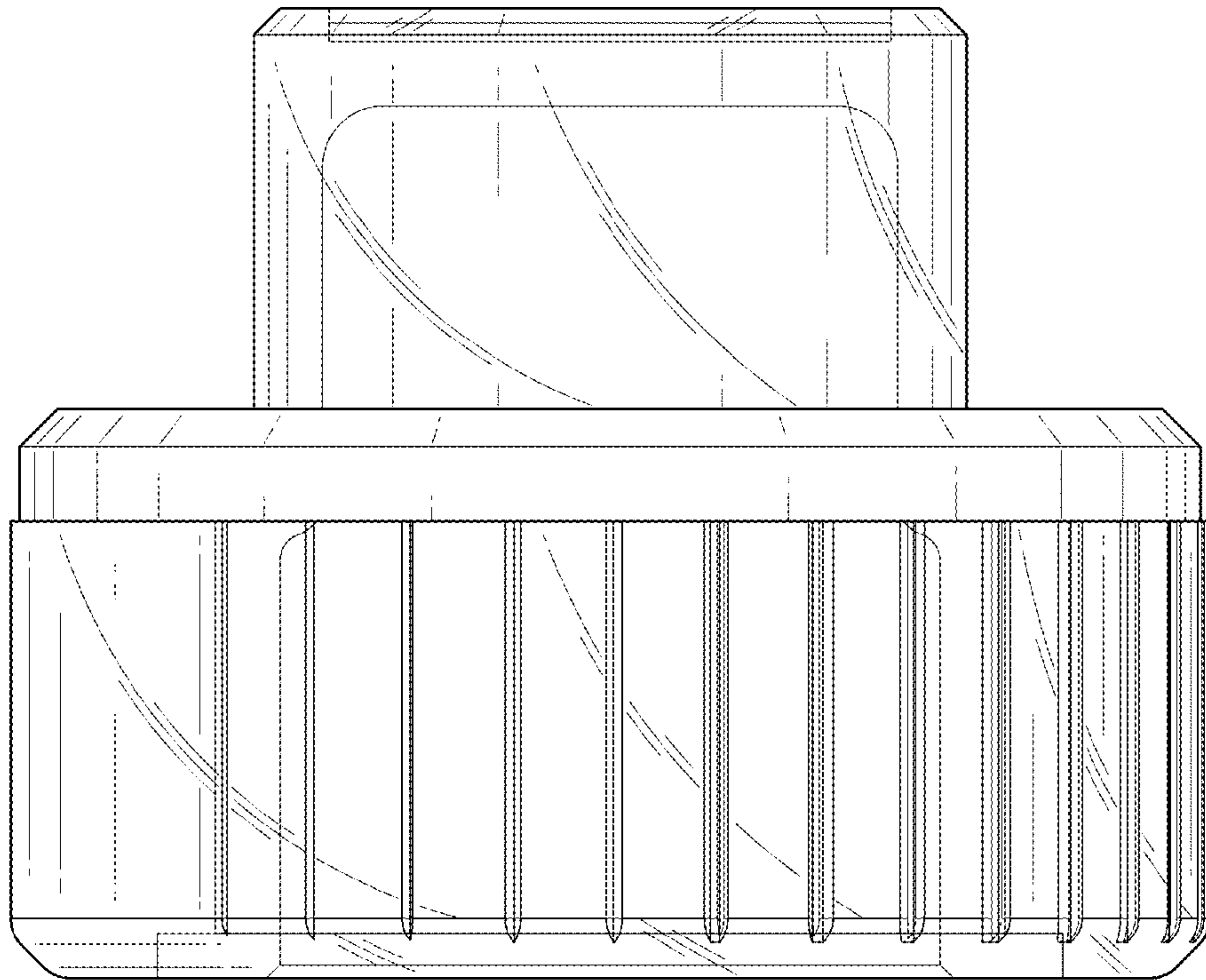


FIG. 4

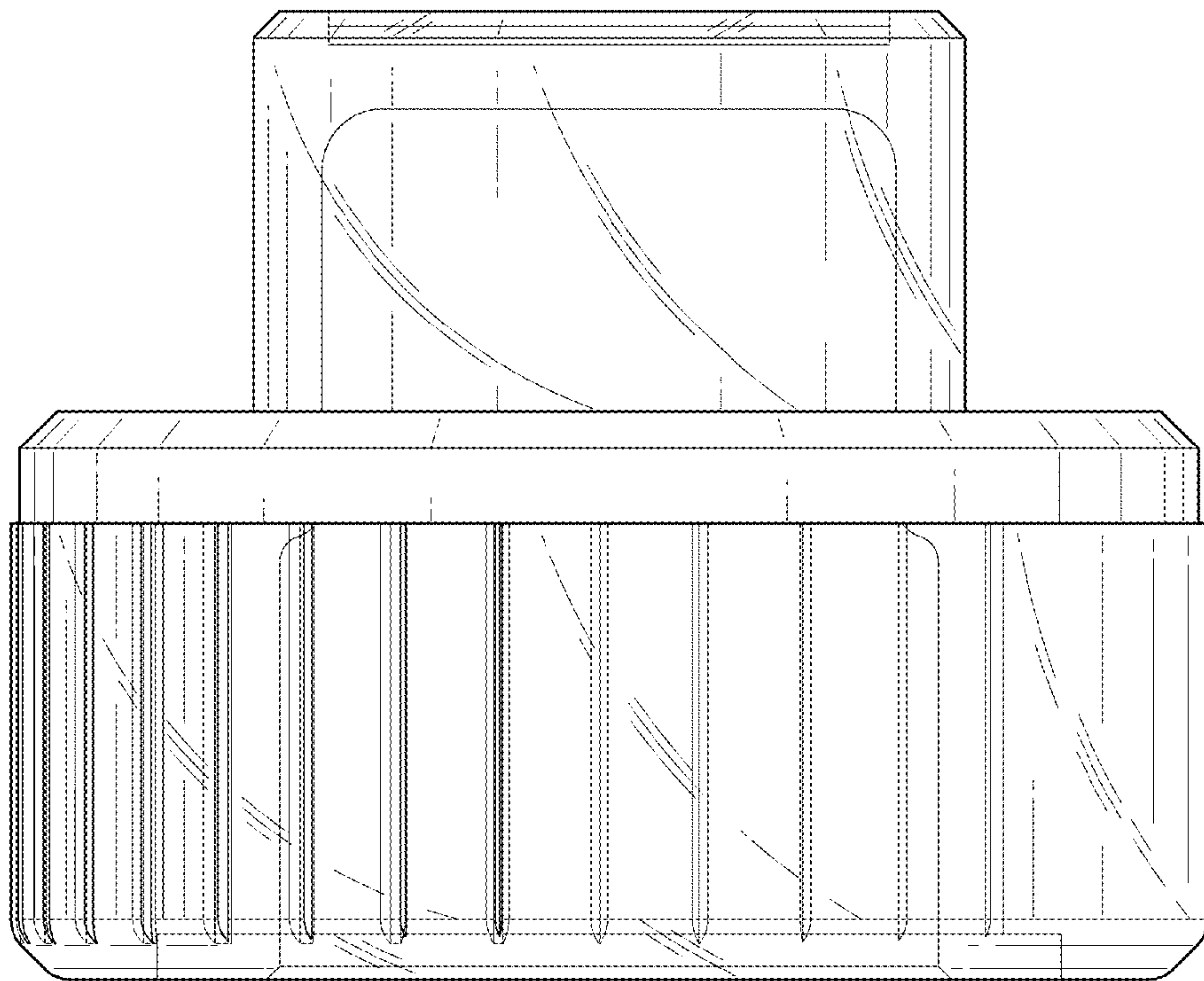


FIG. 5

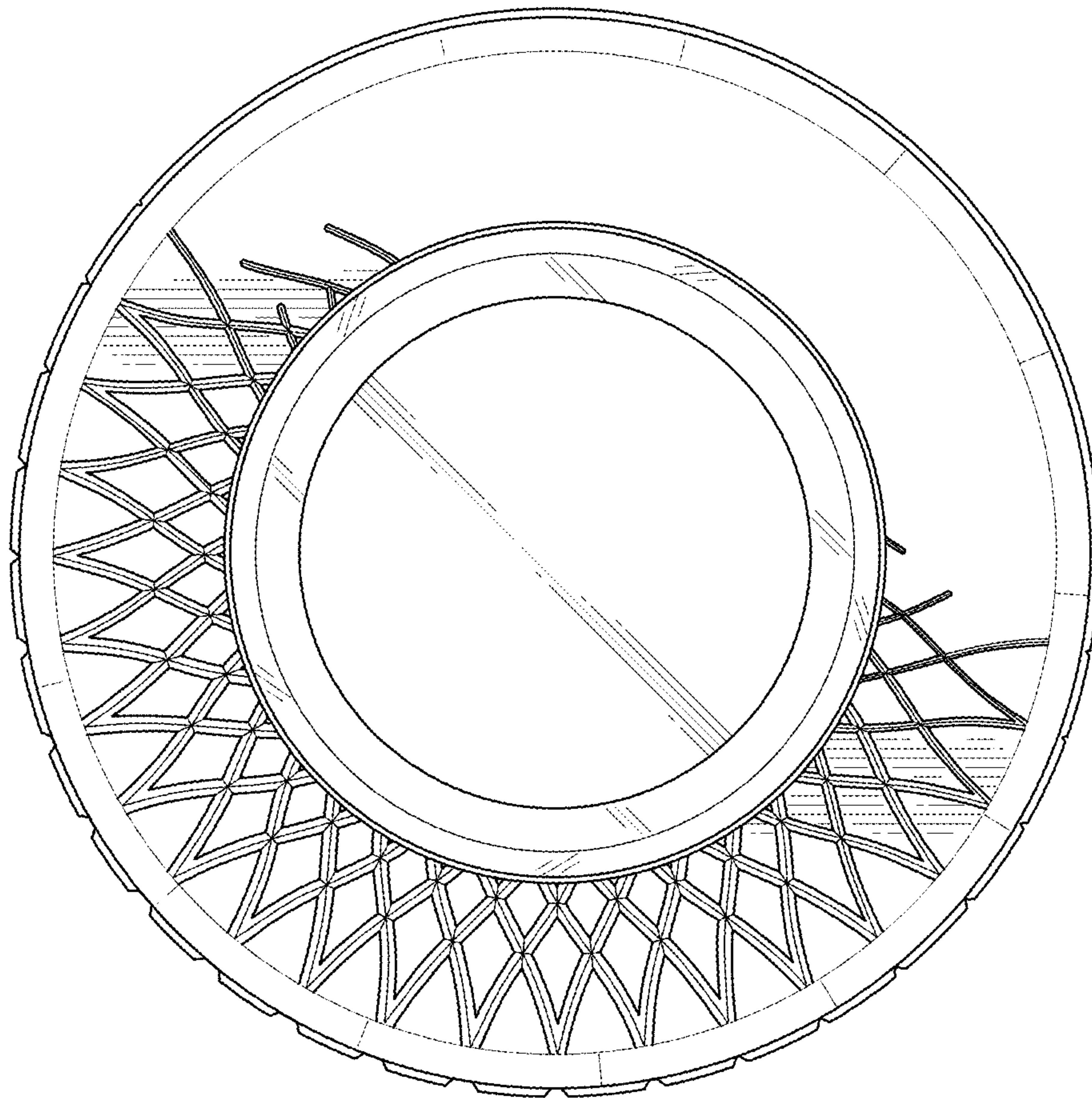


FIG. 6



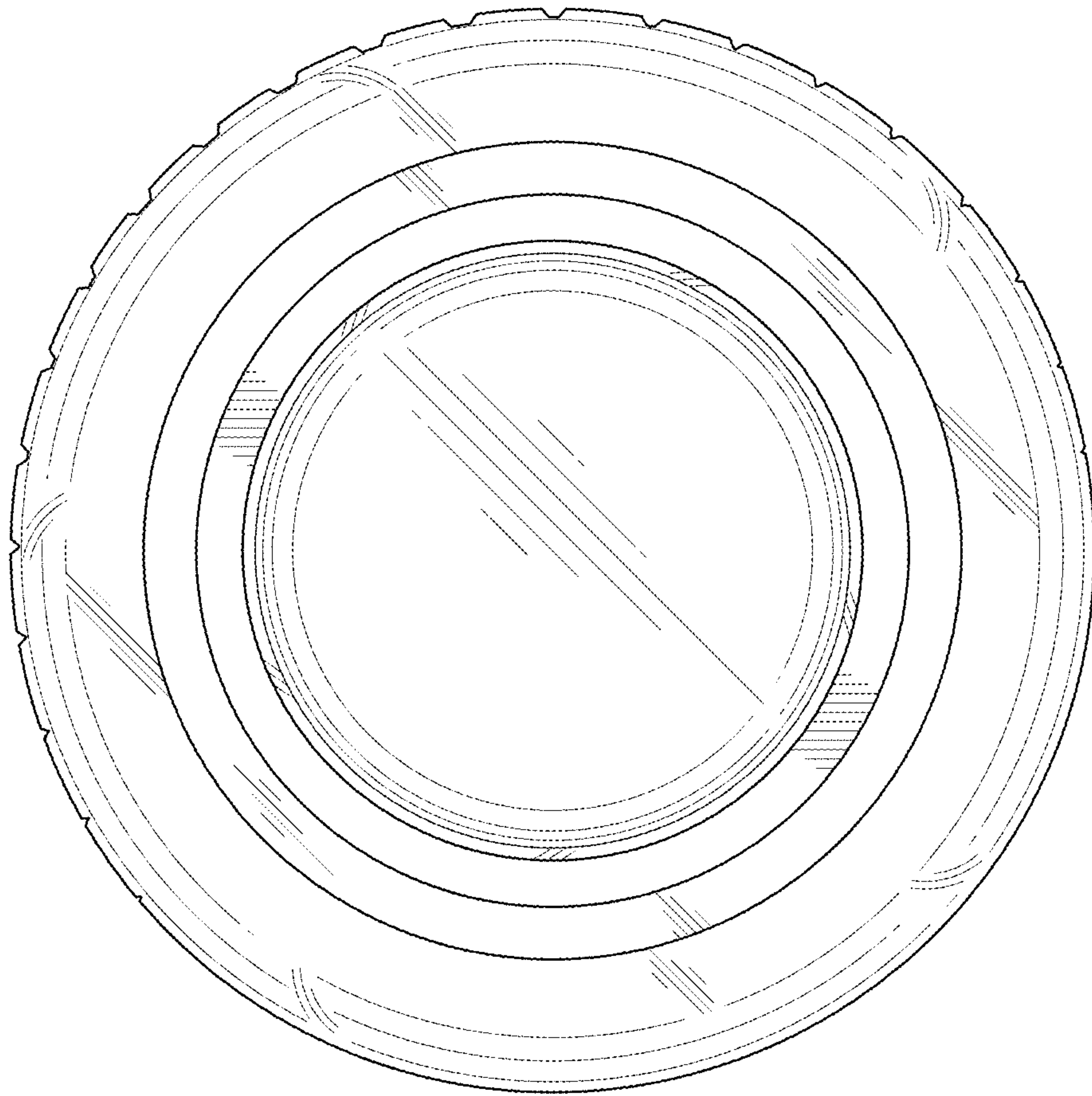


FIG. 7