



US00D980067S

(12) **United States Design Patent**
Lai

(10) **Patent No.:** **US D980,067 S**
(45) **Date of Patent:** **** Mar. 7, 2023**

(54) **WATER BOTTLE CAP**

(71) Applicant: **Xiamen Yangchangsheng Silicone Rubber Products Co., Ltd., Xiamen (CN)**

(72) Inventor: **Fuguang Lai, Fujian (CN)**

(73) Assignee: **Xiamen Yangchangsheng Silicone Rubber Products Co., Ltd., Xiamen (CN)**

(**) Term: **15 Years**

(21) Appl. No.: **29/836,500**

(22) Filed: **Apr. 27, 2022**

(51) **LOC (14) Cl.** **09-06**

(52) **U.S. Cl.**
USPC **D9/446**

(58) **Field of Classification Search**
USPC D7/312, 313, 316, 387, 393, 396.1, D7/396.2, 397, 398, 400; D9/434-442, D9/446, 447, 451, 452, 453, 454; D23/206, 209, 238, 249, 255, 259, 260, D23/261, 265; D12/197
CPC A47J 31/0673; B65D 85/8046; B65D 2251/0015; B65D 2251/0071; B65D 2251/20; B65D 47/2031; A61J 1/2096; A61J 1/2051; A61J 1/14
See application file for complete search history.

(56) **References Cited**

U.S. PATENT DOCUMENTS

D198,107 S * 4/1964 McCullouch D9/439
D230,013 S * 1/1974 Emerson D9/434
D246,698 S * 12/1977 Morris D9/439
D248,453 S * 7/1978 Summers D9/439
D285,179 S * 8/1986 Browne D9/435
D289,796 S * 5/1987 Larkin D9/439
4,760,931 A * 8/1988 Gach B65D 39/02
215/254

D298,506 S * 11/1988 Lee D7/393
D404,646 S * 1/1999 Black, Sr D9/446
D424,167 S * 5/2000 Yuen D34/39
D441,848 S * 5/2001 Huang D23/261
D508,202 S 8/2005 Dobson et al.

(Continued)

FOREIGN PATENT DOCUMENTS

CN 105540021 A * 5/2016
EP 1992570 A1 * 11/2008 B65D 47/063

(Continued)

OTHER PUBLICATIONS

Gallon Water Bottle Cap: announced (Sep. 4, 2021). Site Visited (Jul. 30, 2022). Available from Internet URL: https://www.amazon.com/FastUU-Simple-Modern-Design-Reusable/dp/B089KHRYRQ2/ref=cm_cr_arp_d_product_top?ie=UTF8.*

(Continued)

Primary Examiner — Catherine S Posthauer

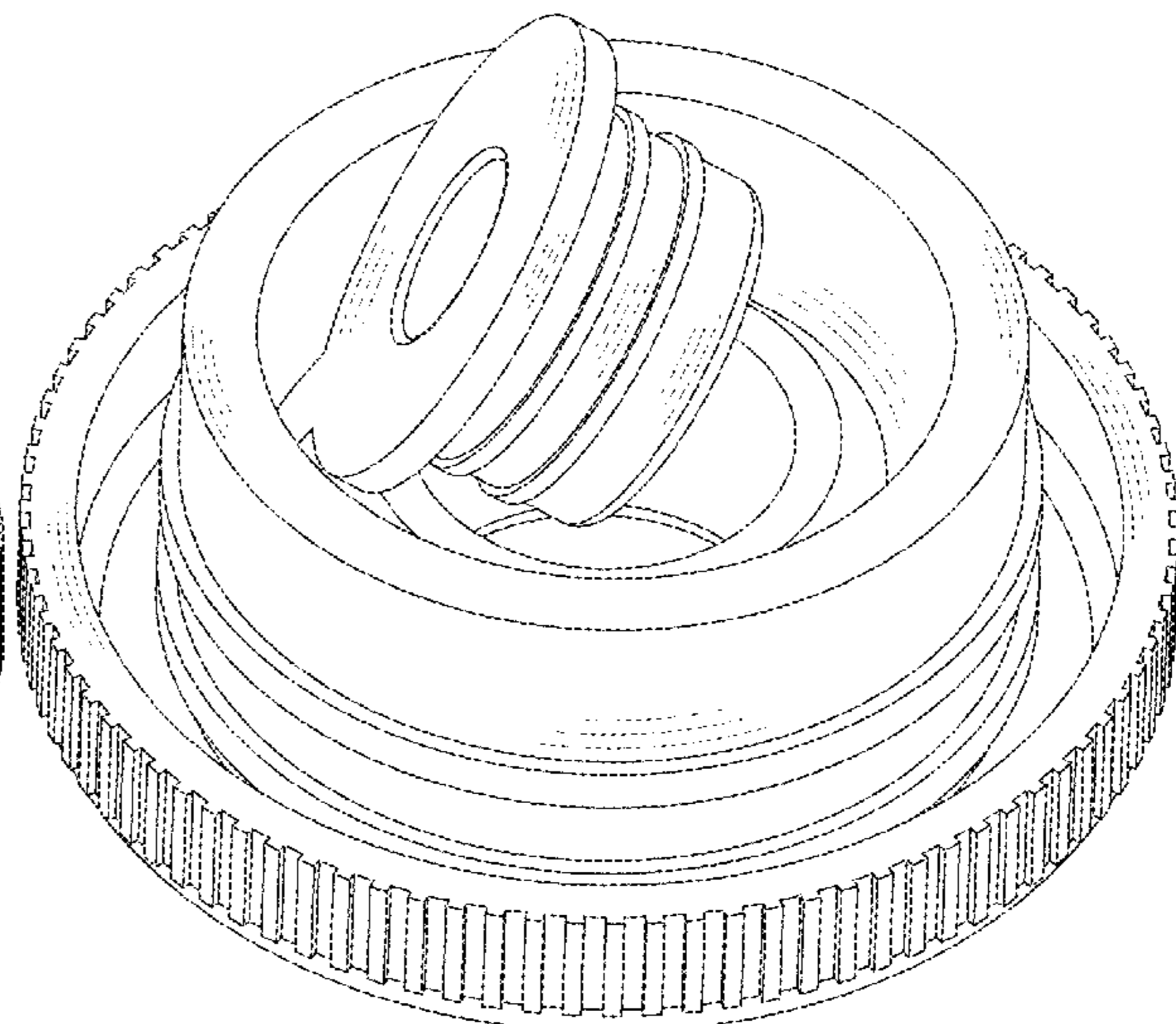
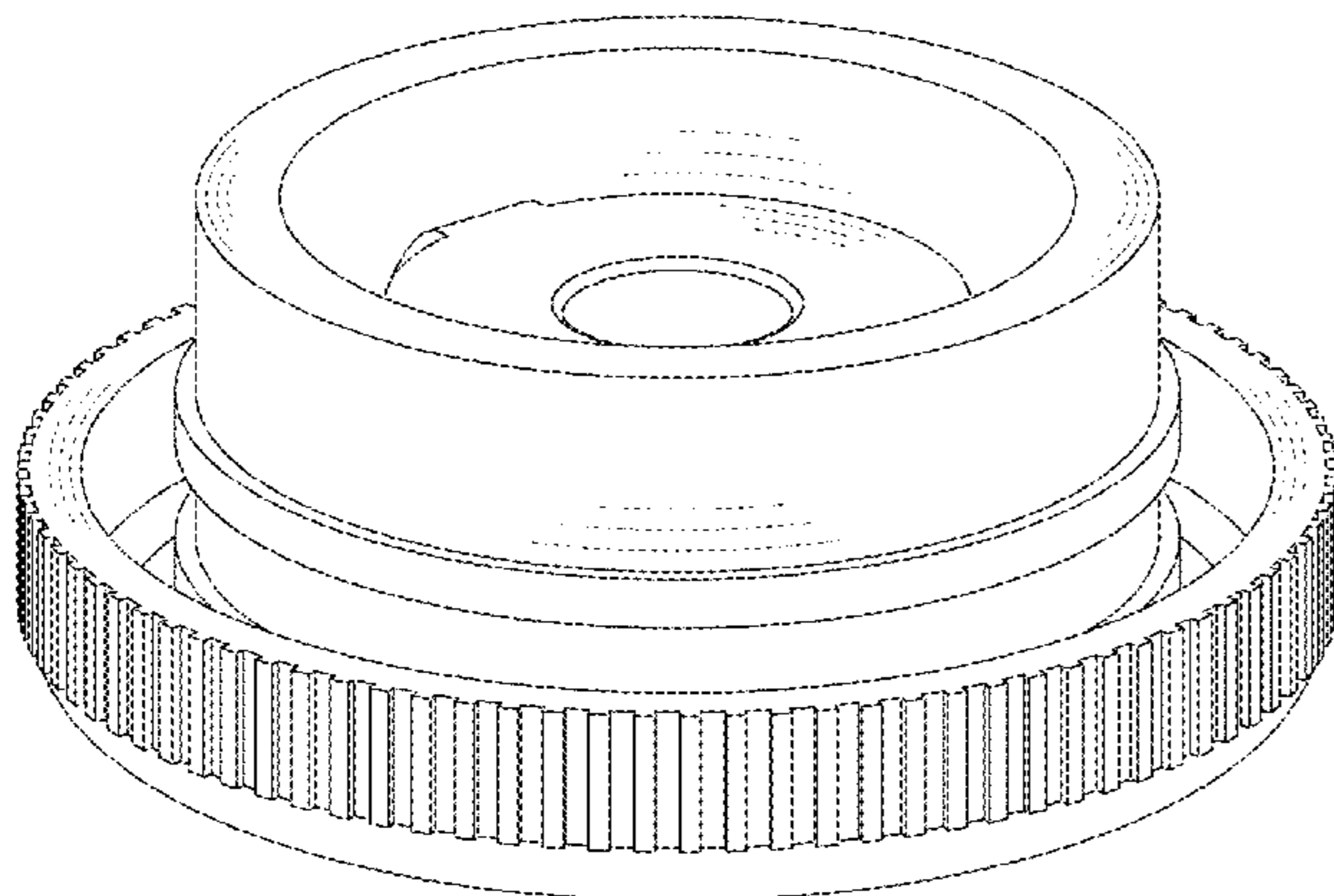
(57) **CLAIM**

The ornamental design for a water bottle cap, substantially as shown and described.

DESCRIPTION

FIG. 1 is a perspective view of a water bottle cap, showing my new design;
FIG. 2 is an alternative perspective view thereof;
FIG. 3 is a front elevation view thereof;
FIG. 4 is a rear elevation view thereof;
FIG. 5 is a left side elevation view thereof;
FIG. 6 is a right side elevation view thereof;
FIG. 7 is a top plan view thereof; and,
FIG. 8 is a bottom plan view thereof.
The broken lines are shown for the purpose of illustrating parts of the article that form no part of the claimed design. The dot-dash lines in FIG. 8 represent the boundaries of the claim and form no part thereof.

1 Claim, 8 Drawing Sheets



(56)

References Cited

U.S. PATENT DOCUMENTS

D519,030 S * 4/2006 Matsuda D9/453
 D580,009 S * 11/2008 LeJeune D23/209
 D587,580 S * 3/2009 Kane D9/453
 D595,570 S * 7/2009 Moretti D9/434
 D621,915 S * 8/2010 Fima D23/261
 D657,848 S * 4/2012 Howson D23/261
 D751,394 S * 3/2016 Chartier D9/440
 D754,542 S * 4/2016 Shaw D9/454
 D757,547 S * 5/2016 Biswas D9/454
 D776,245 S * 1/2017 Yu D23/259
 D784,084 S 4/2017 Bartlett et al.
 D823,115 S * 7/2018 Walker D9/447
 D838,817 S * 1/2019 Welch D23/260
 D845,126 S * 4/2019 Prozumenshchikov D9/453
 D857,179 S * 8/2019 Thompson D23/259
 D876,186 S * 2/2020 Marantis D7/700
 D894,343 S * 8/2020 Hay D23/269
 D947,025 S * 3/2022 Diaz D9/439
 D956,522 S * 7/2022 Smith D8/354
 2010/0193516 A1 * 8/2010 LaBean B65D 47/2031
 220/229
 2012/0265163 A1 * 10/2012 Cheng A61J 1/2096
 604/415
 2016/0023884 A1 * 1/2016 Sokol B65D 47/08
 222/545
 2016/0137474 A1 * 5/2016 Marantis A61J 1/1412
 141/331
 2016/0338912 A1 * 11/2016 Oberlin A61J 1/1412

FOREIGN PATENT DOCUMENTS

EP 2479118 A1 * 7/2012 B65D 47/103
 WO WO-9521639 A1 * 8/1995 A61M 5/002
 WO WO-2008036889 A2 * 3/2008 A61J 1/1412
 WO WO-2015083724 A1 * 6/2015 B65D 47/123
 WO WO-2015174950 A1 * 11/2015 B65D 47/2031
 WO WO-2016036919 A1 * 3/2016 B65D 47/12
 WO WO-2017009031 A1 * 1/2017 B65D 47/20
 WO WO-2021054825 A1 * 3/2021 B65D 39/0076

OTHER PUBLICATIONS

Opolski Water Bottle Cap: Site Visited (Jul. 26, 2022). Available from Internet URL: <https://www.walmart.com/ip/CDAR-5Pcs-Plastic-Water-Bottle-Cap-Reusable-Water-Jug-Cap-Thicken-Thread-Pure-Water-Bucket-Lid-Anti-Splash-Dispenser-Cap-for-Screw-Top-Bottles/396574614?wmlspartner=wlp&selectedSellerId=101044609>.
 5 Gallon Water Jug Cap: Announced (Apr. 19, 2022; online). Site Visited (Sep. 20, 2022). Available from Internet URL: https://www.amazon.com/dp/B09Y8CDKHK/ref=sspa_dk_detail_2?pd_rd_i=B09Y8CDKHK&pd_rd_w=LL3hp&content-id=amzn1.sym.bff6e147-%E2%80%A6+1%2F8&th=1.
 5 Gallon Water Jug Cap: Announced (Mar. 21, 2022; online). Site Visited (Sep. 20, 2022). Available from Internet URL: https://www.amazon.com/Gallon-Water-Jug-Reusable-Cap/dp/B09W2FP5X6/ref=sr_1_6?crd=1U514AUNYKH8Z&keywords=Water+Jug+Cap&qid=1%E2%80%A6%201/11.

* cited by examiner

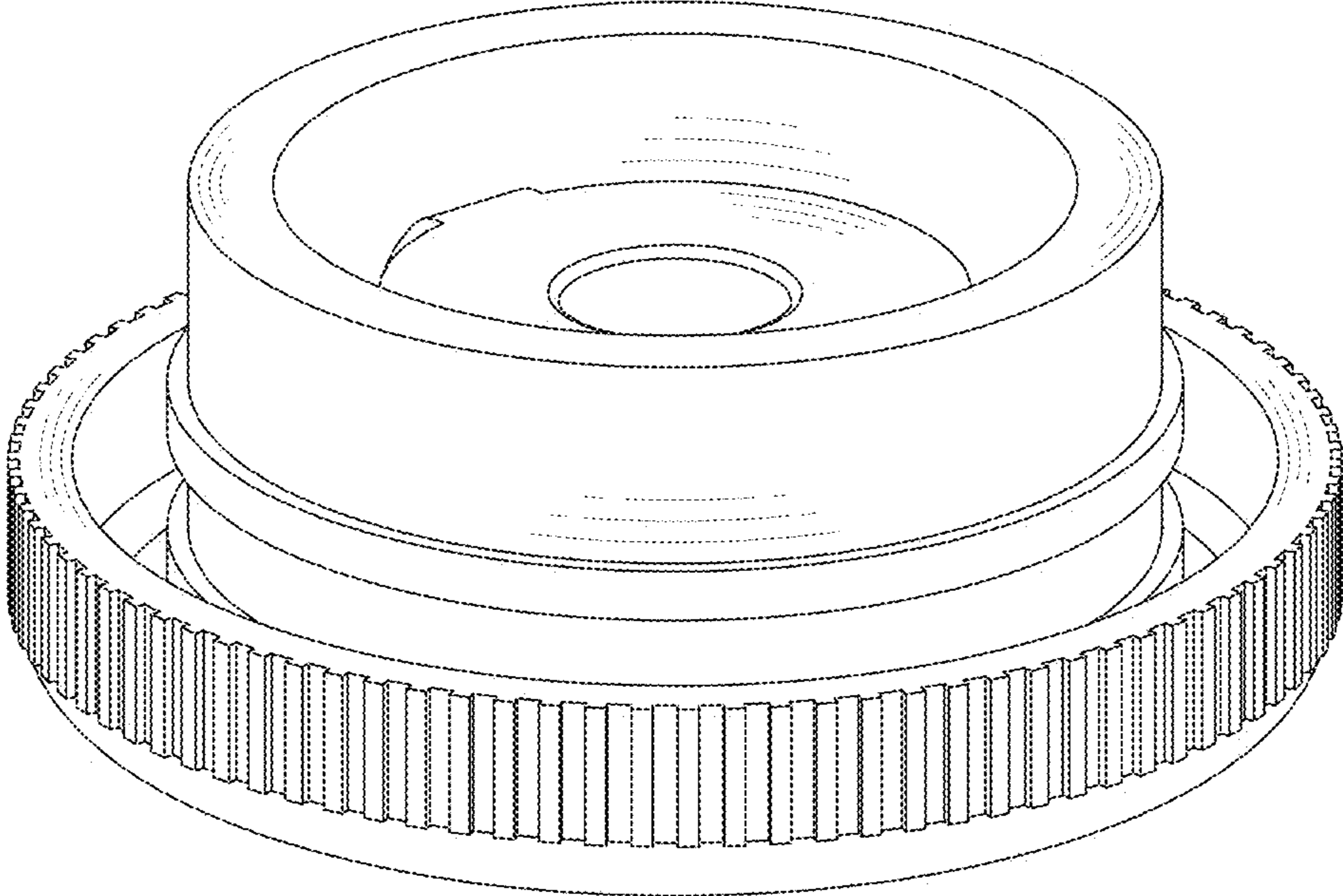


FIG. 1

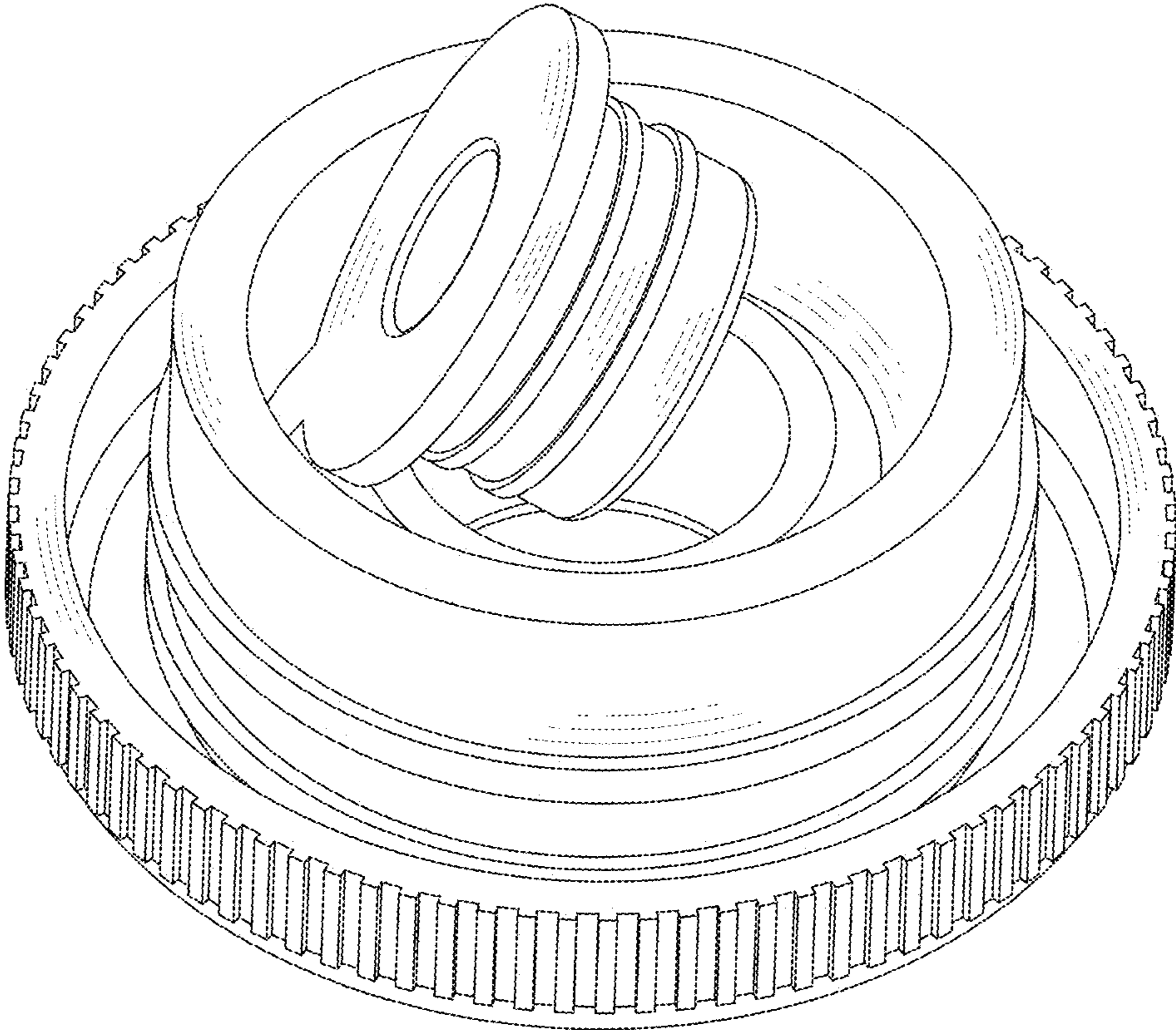


FIG. 2

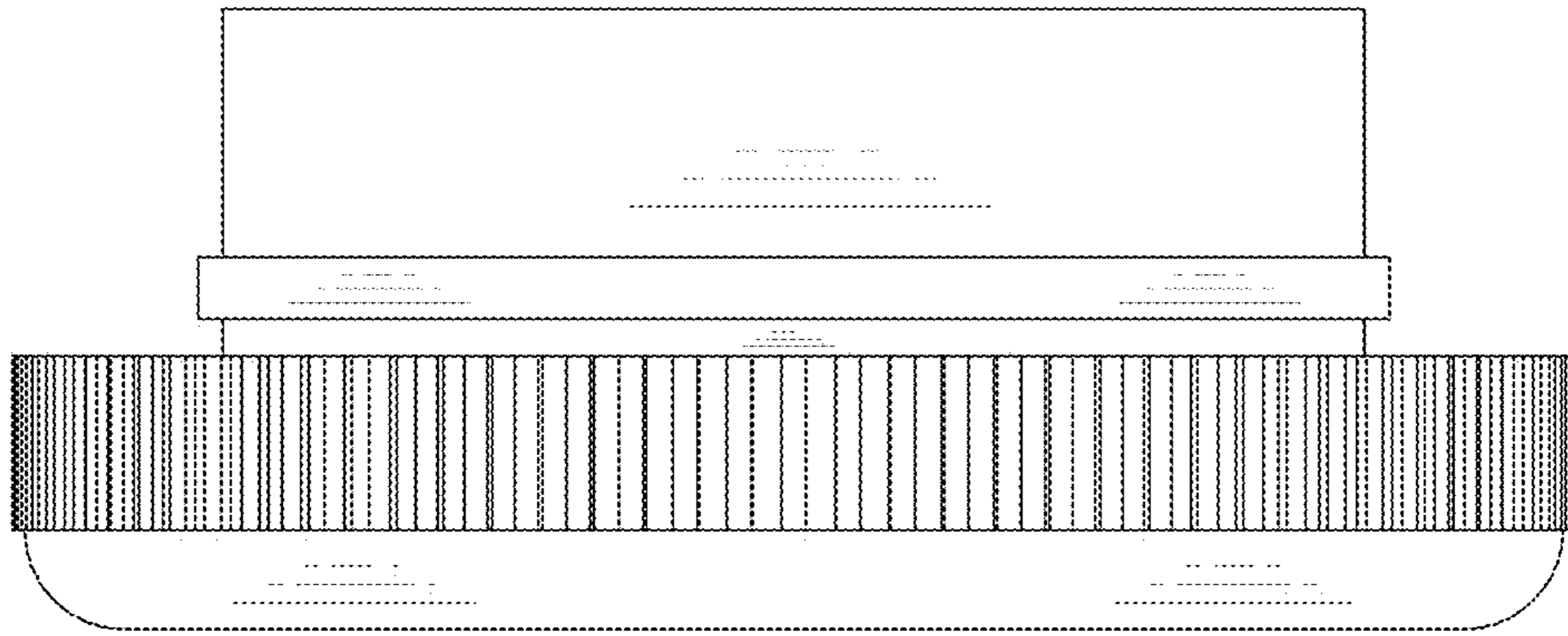


FIG. 3

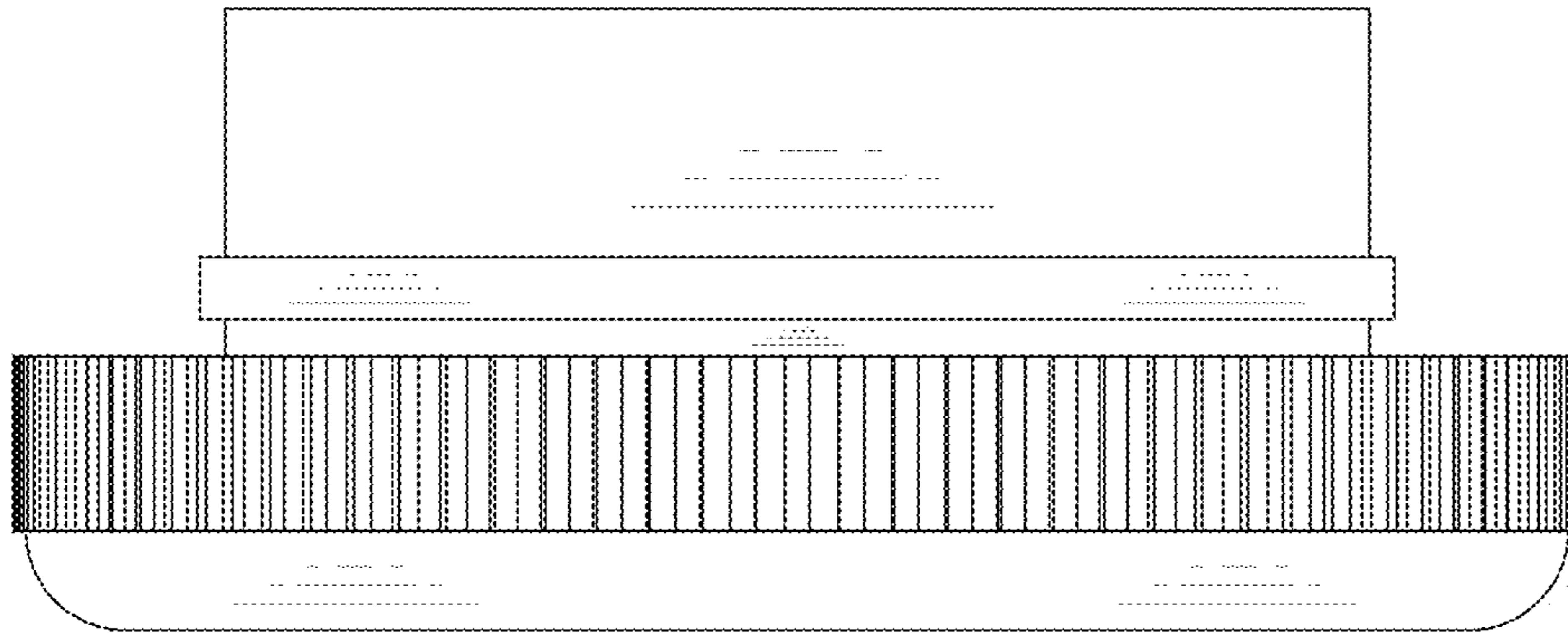


FIG. 4

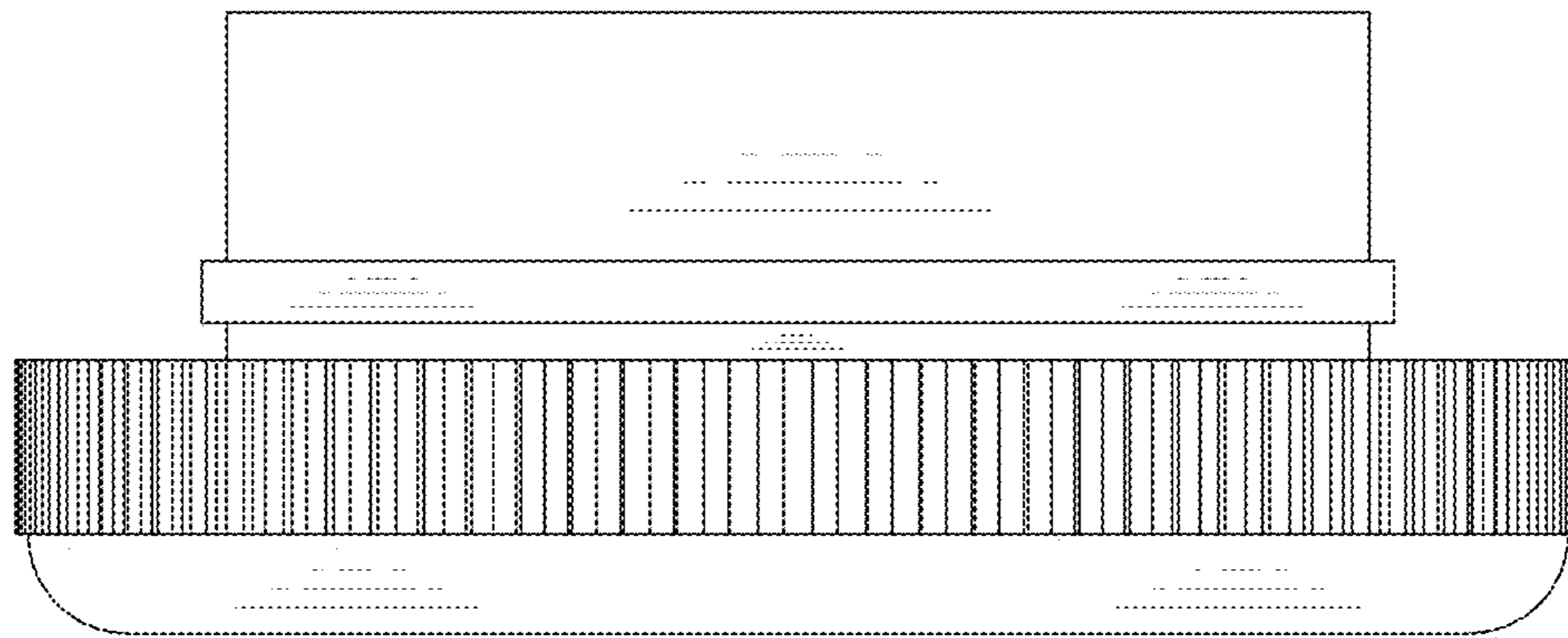


FIG. 5

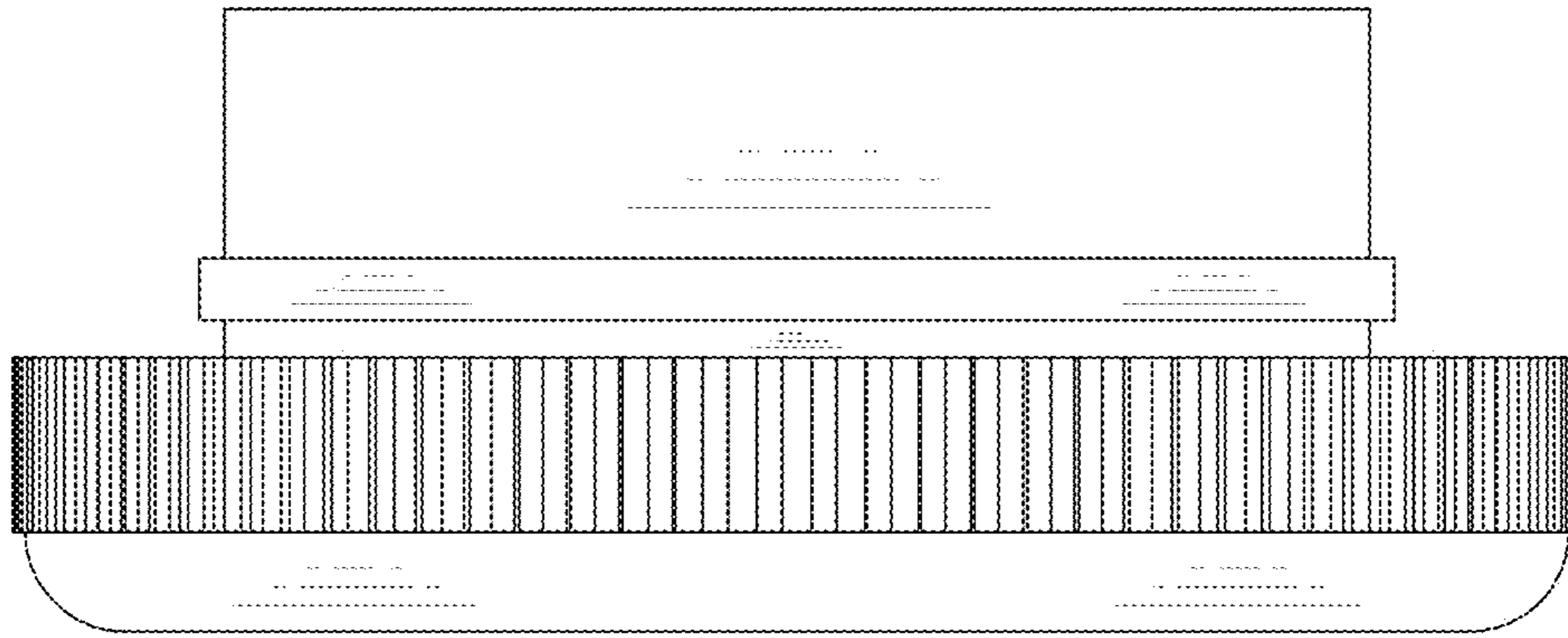


FIG. 6

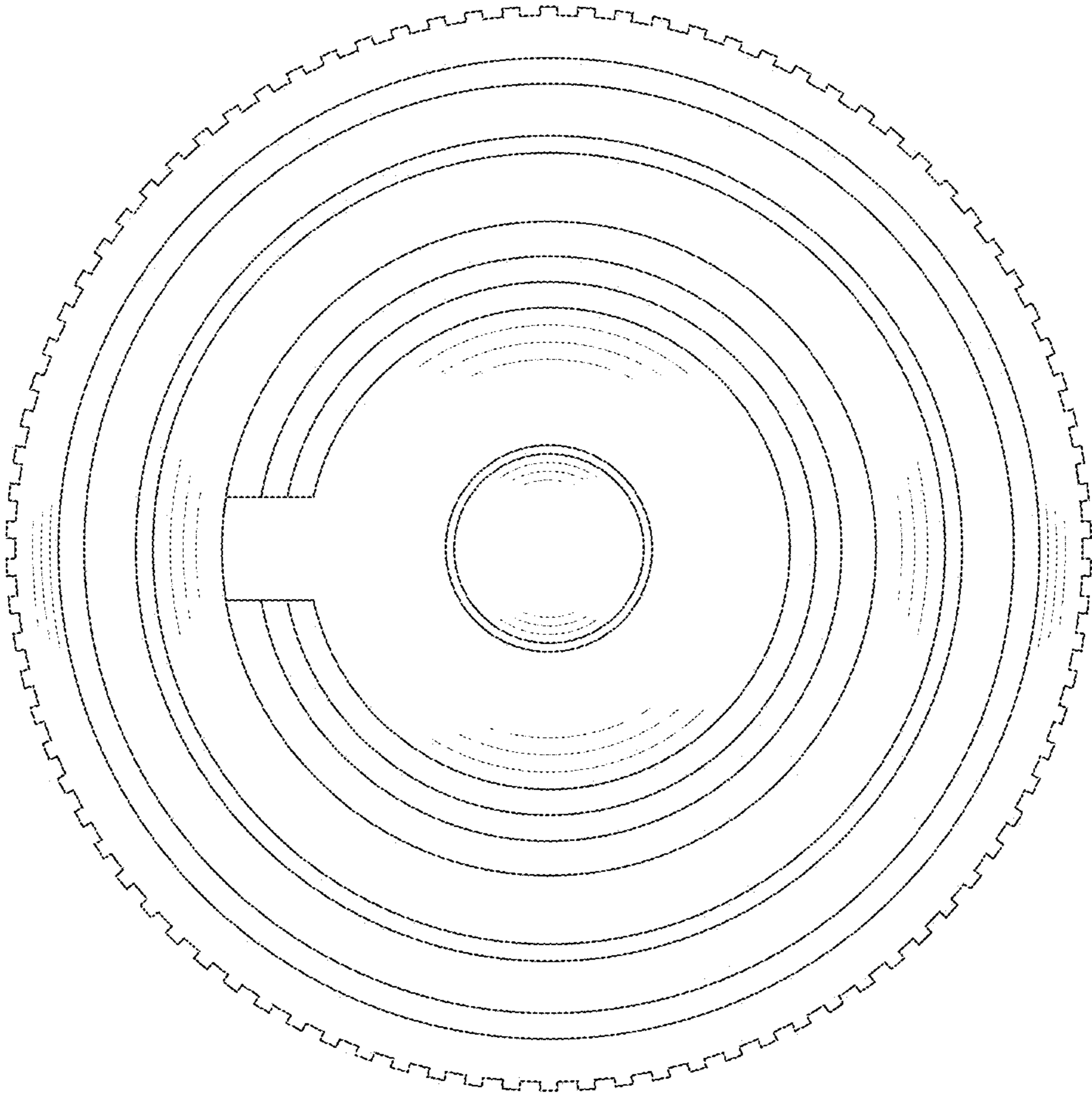


FIG. 7

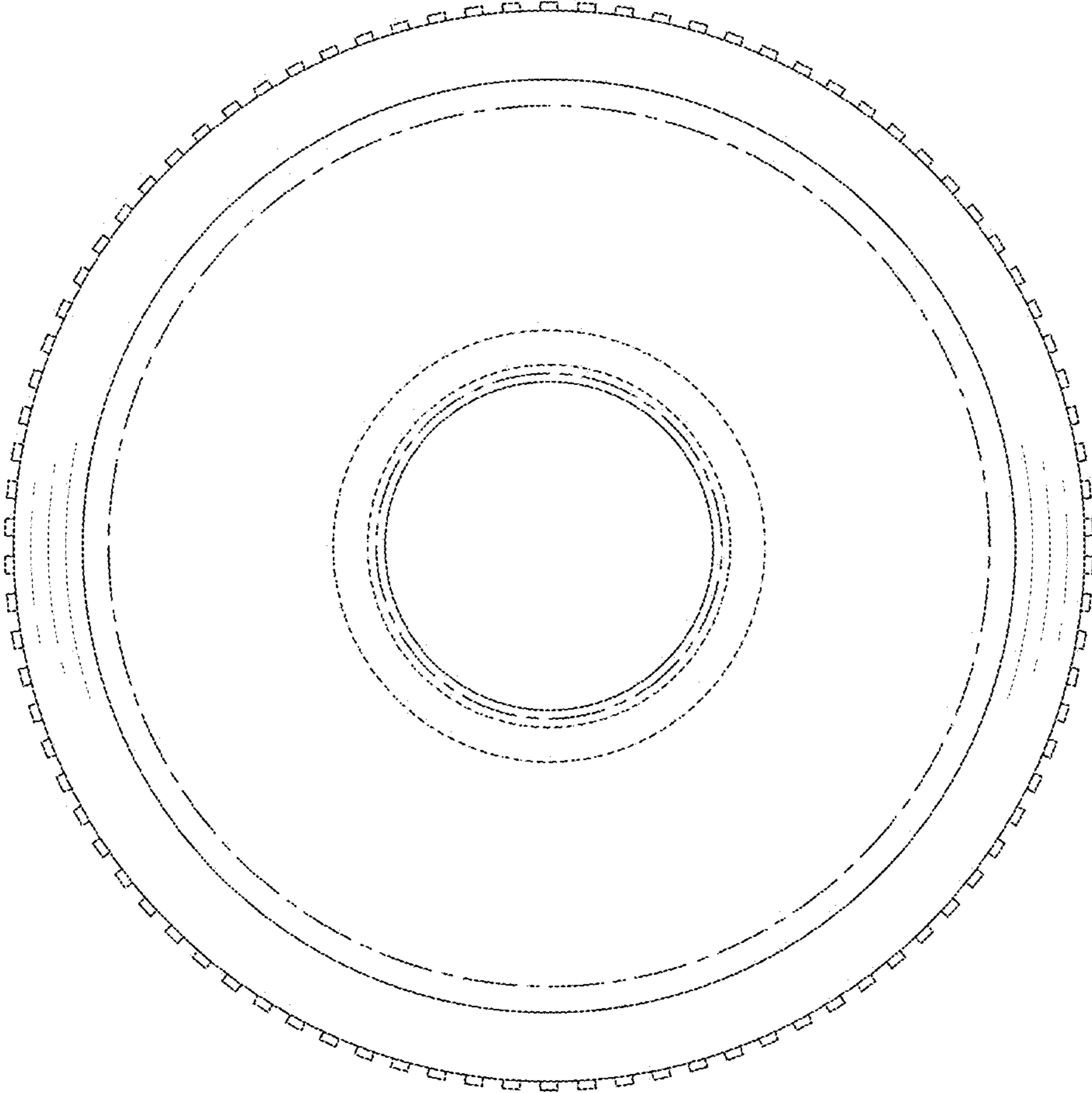


FIG. 8