



US00D980066S

(12) **United States Design Patent**
Filippini et al.

(10) **Patent No.:** **US D980,066 S**

(45) **Date of Patent:** **** Mar. 7, 2023**

(54) **LID FOR PACKAGING**

(71) Applicant: **TETRA LAVAL HOLDINGS & FINANCE S.A.**, Pully (CH)

(72) Inventors: **Maurizio Filippini**, Modena (IT);
Francesca Tavoni, Modena (IT)

(73) Assignee: **TETRA LAVAL HOLDINGS & FINANCE S.A.**, Pully (CH)

(**) Term: **15 Years**

(21) Appl. No.: **35/512,952**

(22) Filed: **May 14, 2021**

(80) **Hague Agreement Data**

Int. Filing Date: **May 14, 2021**

Int. Reg. No.: **DM/214263**

Int. Reg. Date: **May 14, 2021**

Int. Reg. Pub. Date: **Nov. 19, 2021**

(30) **Foreign Application Priority Data**

Nov. 16, 2020 (EM) 008271365

Apr. 9, 2021 (EM) 008492789

(51) **LOC (14) Cl.** **09-07**

(52) **U.S. Cl.**
USPC **D9/443; D9/452**

(58) **Field of Classification Search**
USPC D9/417, 434, 435, 436, 440, 443, 445,
D9/446, 447, 449, 454, 499, 779, 780,
(Continued)

(56) **References Cited**

U.S. PATENT DOCUMENTS

D45,488 S * 3/1914 Sanford D7/392

D112,150 S * 11/1938 Pershall D7/392

(Continued)

OTHER PUBLICATIONS

Tetra Pak. Tetra Top® Carton Packages. Image published Aug. 17, 2020, dated via Chrome Developer Tools. Visited Aug. 17, 2022. <https://www.tetrapak.com/solutions/packaging/packages/tetra-top> (Year: 2020).*

(Continued)

Primary Examiner — Darcey E Gottschalk

Assistant Examiner — Vanessa M. Pursley

(74) *Attorney, Agent, or Firm* — Leason Ellis LLP

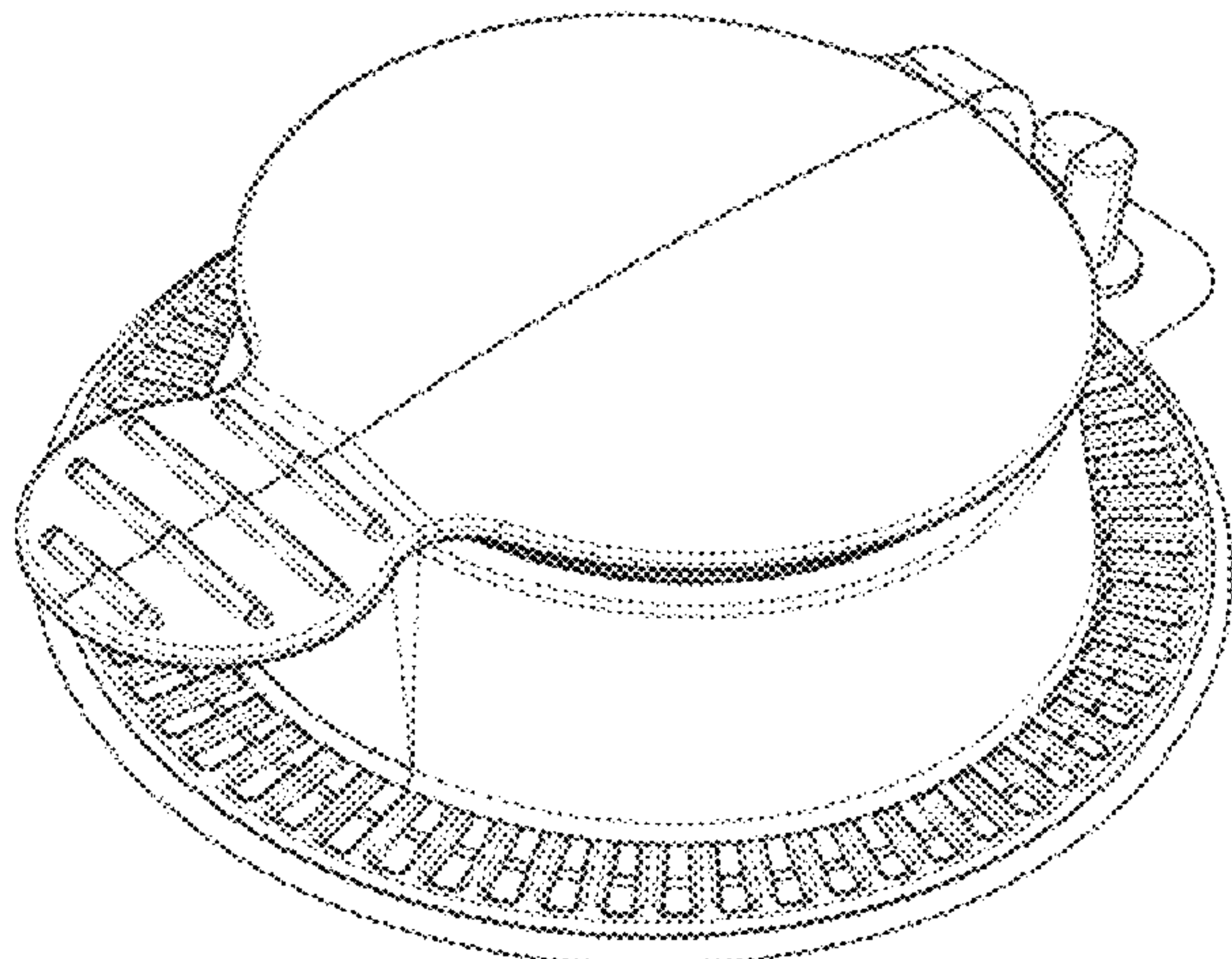
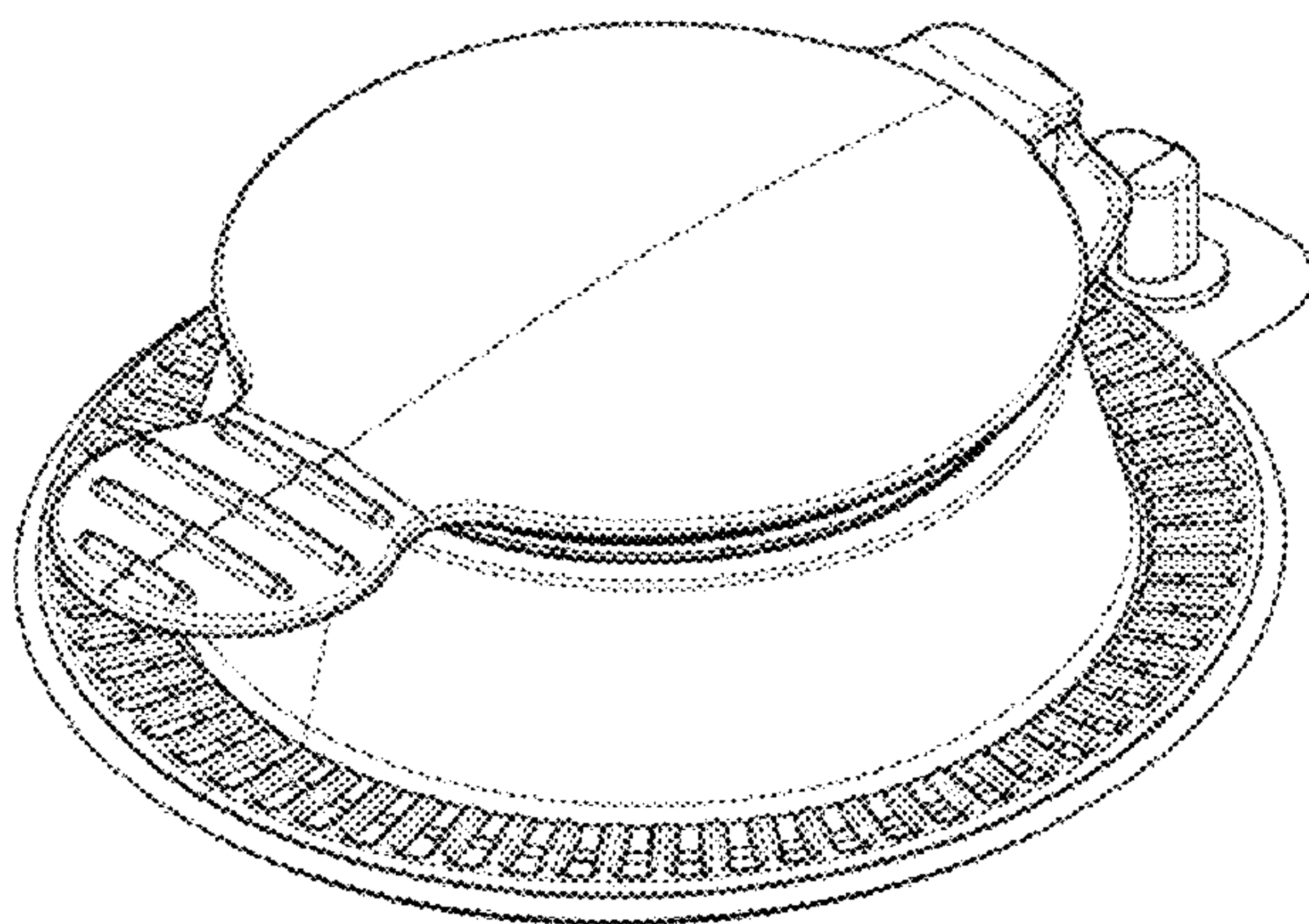
(57) **CLAIM**

The ornamental design for a lid for packaging, as shown and described.

DESCRIPTION

1. Lid for packaging
2. Lid for packaging
3. Lid for packaging
4. Lid for packaging
- 1.1 : Perspective
- 1.2 : Right side view
- 1.3 : Left side view
- 1.4 : Back
- 1.5 : Front
- 1.6 : Top
- 1.7 : Bottom
- 2.1 : Perspective
- 2.2 : Right side view
- 2.3 : Left side view
- 2.4 : Back
- 2.5 : Front
- 2.6 : Top
- 2.7 : Bottom
- 3.1 : Perspective
- 3.2 : Right side view
- 3.3 : Left side view
- 3.4 : Back
- 3.5 : Front
- 3.6 : Top
- 3.7 : Bottom
- 4.1 : Perspective

(Continued)



- 4.2 : Right side view
- 4.3 : Left side view
- 4.4 : Back
- 4.5 : Front
- 4.6 : Top
- 4.7 : Bottom

The broken line shown is for the purpose of illustrating portions of a lid for packaging and forms no part of the claimed design.

1 Claim, 28 Drawing Sheets

(58) Field of Classification Search

USPC D9/452, 453, 455; D7/392, 392.1, 396.2, D7/398, 400
 CPC B65D 51/22; B65D 47/08
 See application file for complete search history.

(56) References Cited

U.S. PATENT DOCUMENTS

D217,132	S	*	4/1970	Argenta	D9/417
D227,558	S	*	7/1973	Matthews	D9/434
3,963,140	A	*	6/1976	Harding	B65D 41/44 215/254
4,706,837	A	*	11/1987	Cooke	B65D 51/20 215/254
D302,120	S	*	7/1989	Niwa	D9/417
D333,754	S	*	3/1993	Conti	D7/392.1
D374,401	S	*	10/1996	Behnen, Jr.	D7/392.1
D407,645	S	*	4/1999	Mogard	B65D 5/745 D9/449
D407,646	S	*	4/1999	Mogard	D9/449
D414,698	S	*	10/1999	Mogard	D9/449
5,971,195	A	*	10/1999	Reidinger	B65D 51/28 D9/434
6,398,075	B1	*	6/2002	Laciacara	B65D 5/748 222/91

6,454,161	B1	*	9/2002	Rendina	B65D 5/746 220/276
D475,923	S	*	6/2003	Renz	D9/449
6,591,999	B1	*	7/2003	Molin	B65D 5/746 220/258.1
D508,202	S	*	8/2005	Dobson	D9/449
D530,370	S	*	10/2006	Siegel	D9/503
D532,687	S	*	11/2006	Elgebrant	B65D 5/5405 D9/417
D538,161	S	*	3/2007	Smith	D9/449
D538,637	S	*	3/2007	Elgebrant	D9/453
D583,234	S	*	12/2008	Lohrman	D9/449
D605,942	S	*	12/2009	Miksovsky	D9/446
D626,413	S	*	11/2010	Lohrman	D9/449
D640,547	S	*	6/2011	Guillemin	D9/425
D655,605	S	*	3/2012	Baughman	D9/454
D660,645	S	*	5/2012	Zandona	D7/400
D672,648	S	*	12/2012	Goto	D9/449
D674,464	S	*	1/2013	Wilder	D23/209
D747,199	S	*	1/2016	Phillips	D9/438
D747,649	S	*	1/2016	Phillips	D9/438
D784,808	S	*	4/2017	Berroa Garcia	D9/434
D796,898	S	*	9/2017	Robotti	D7/400
D836,436	S	*	12/2018	Engel	D7/392.1
10,301,063	B2	*	5/2019	Björk	B65D 5/5405
10,414,564	B2	*	9/2019	Shively	B65D 55/16
2010/0258520	A1	*	10/2010	Giraud	B65D 41/485 29/700
2017/0183120	A1	*	6/2017	Björk	B65D 5/745
2021/0163176	A1	*	6/2021	Martini	B65D 17/507
2021/0188479	A1	*	6/2021	Sorbara	B65D 47/0847
2022/0185552	A1	*	6/2022	Corradi	B65D 5/749

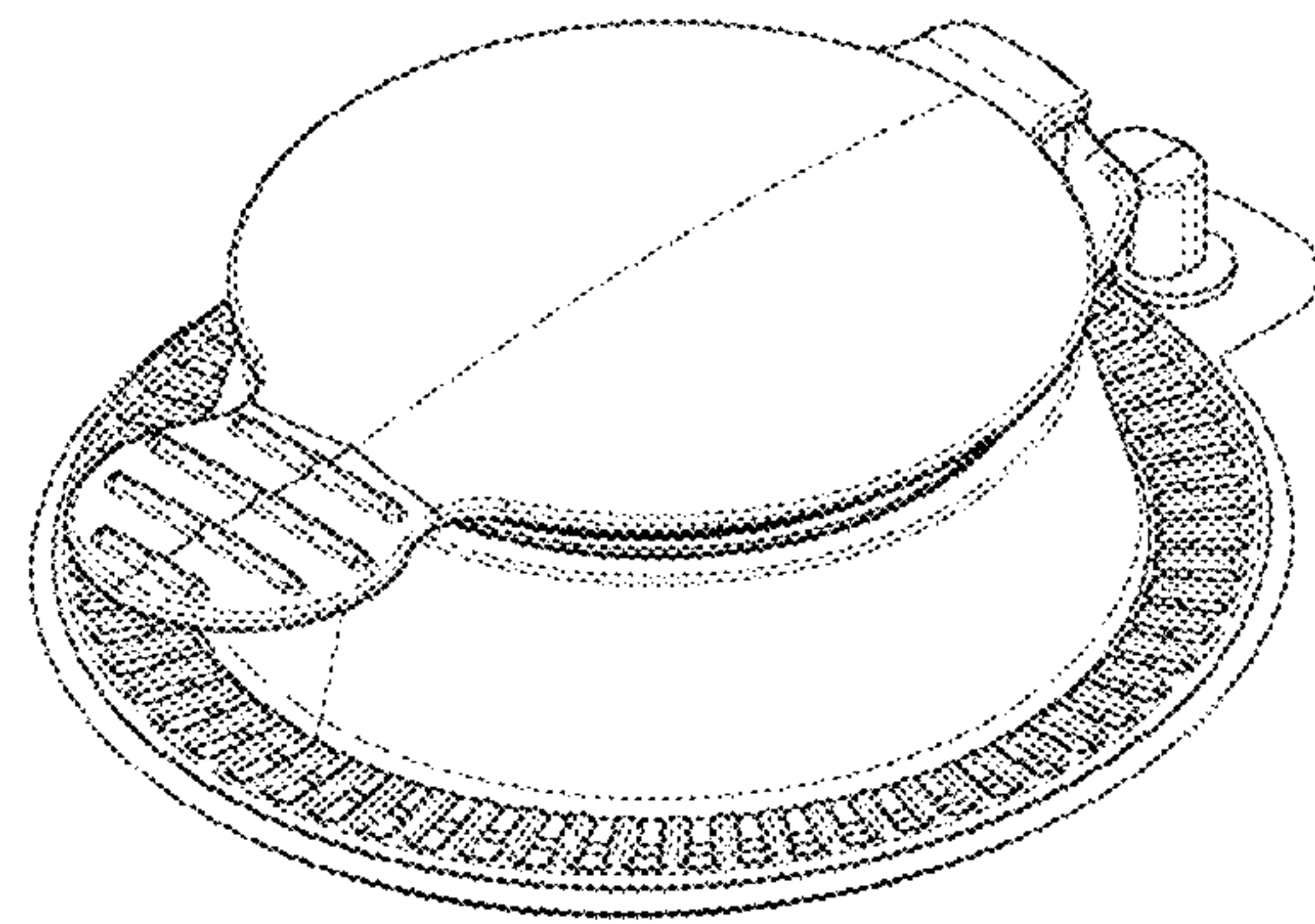
OTHER PUBLICATIONS

Tetra Pak. Openings and Closures. Publication date unavailable. Visited Aug. 17, 2022. <https://www.tetrapak.com/solutions/packaging/packaging-material/openings-and-closures> (Year: 0).*

Food Science Japan. Meiji Bulgaria Yogurt Drink Renewal. Published Mar. 5, 2012. Visited Aug. 17, 2022. <http://foodsciencejapan.blogspot.com/2012/05/meiji-bulgaria-yogurt-drink-renewal.html> (Year: 2012).*

* cited by examiner

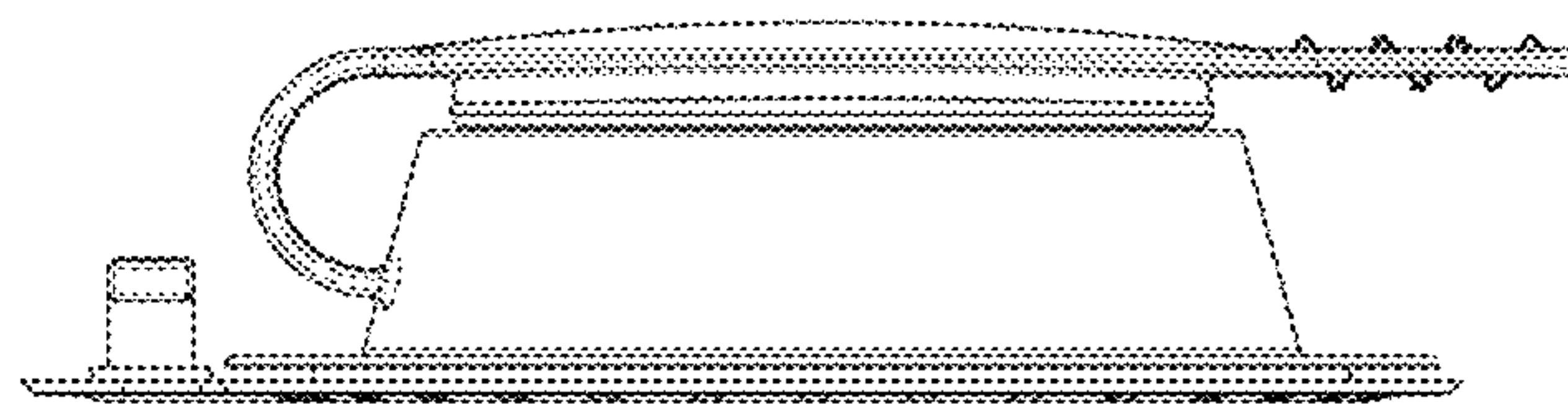
1.1



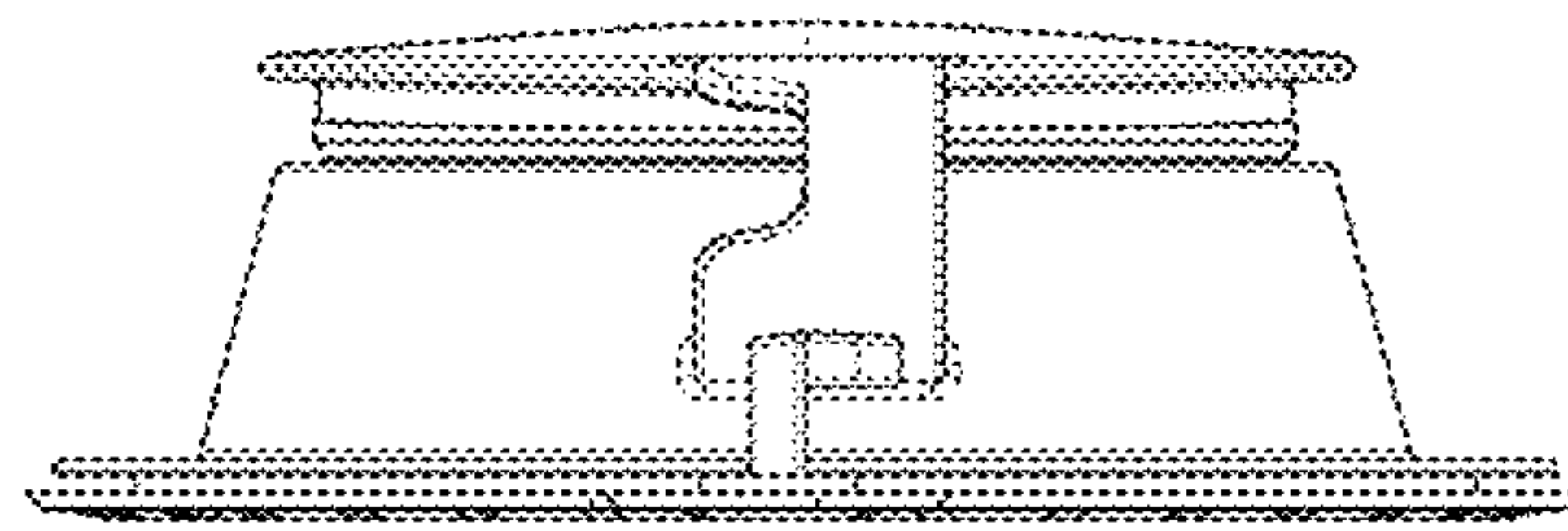
1.2



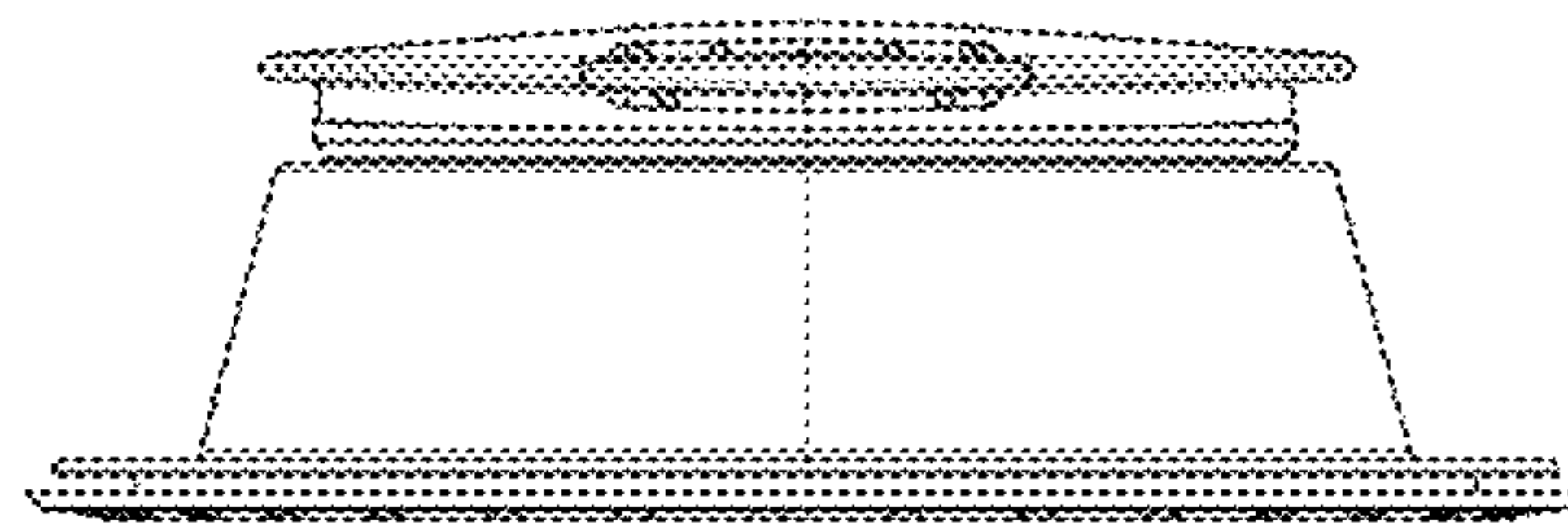
1.3



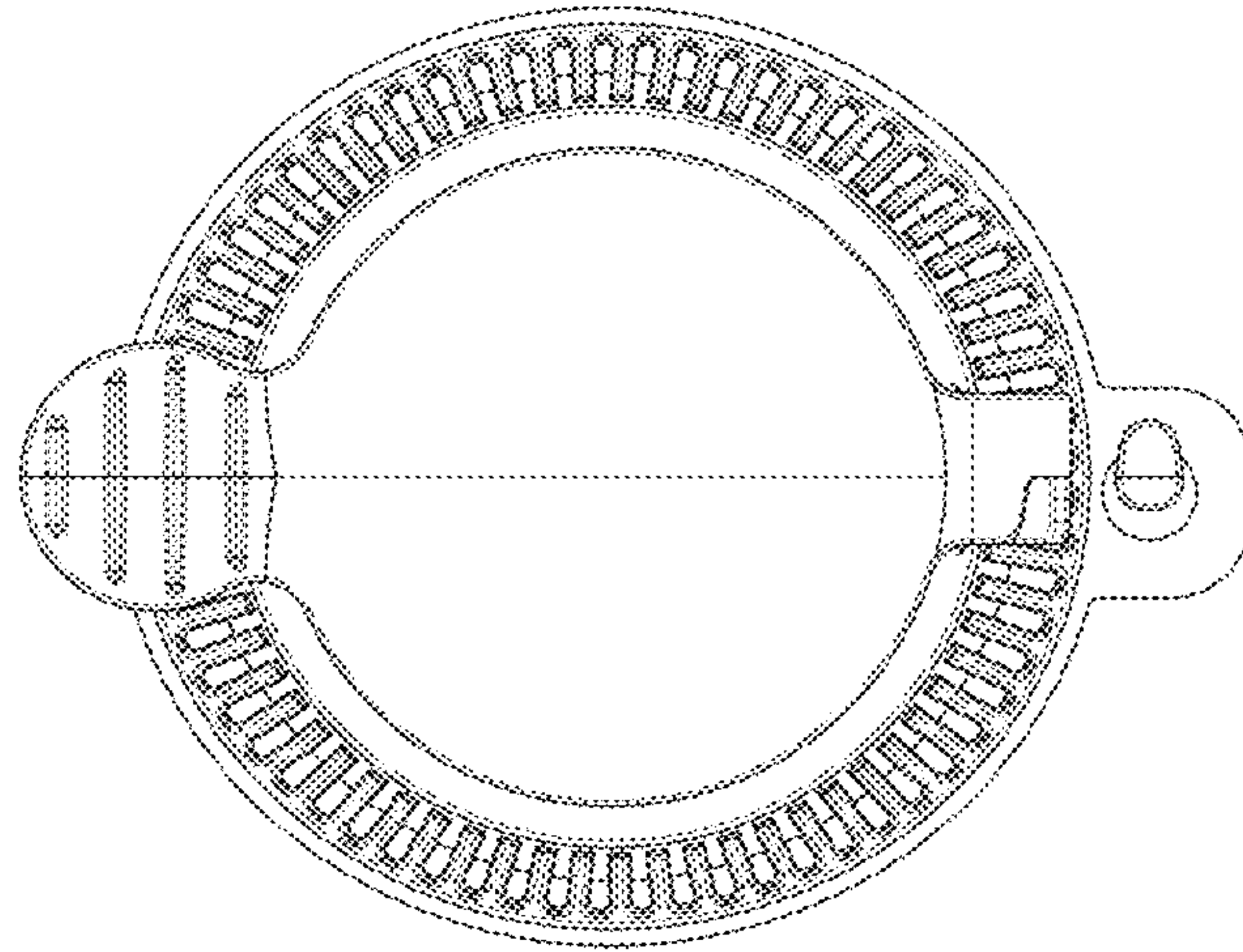
1.4



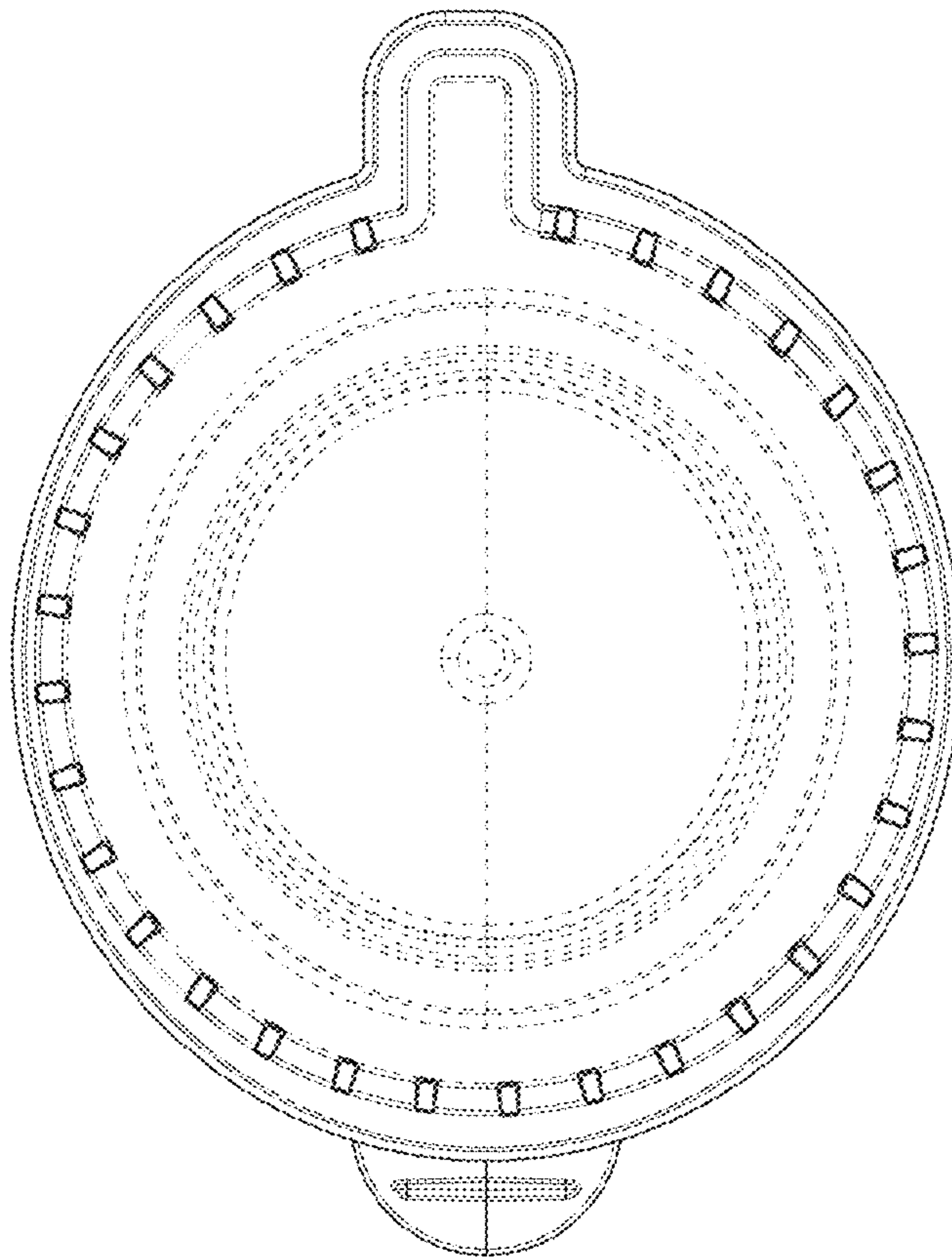
1.5



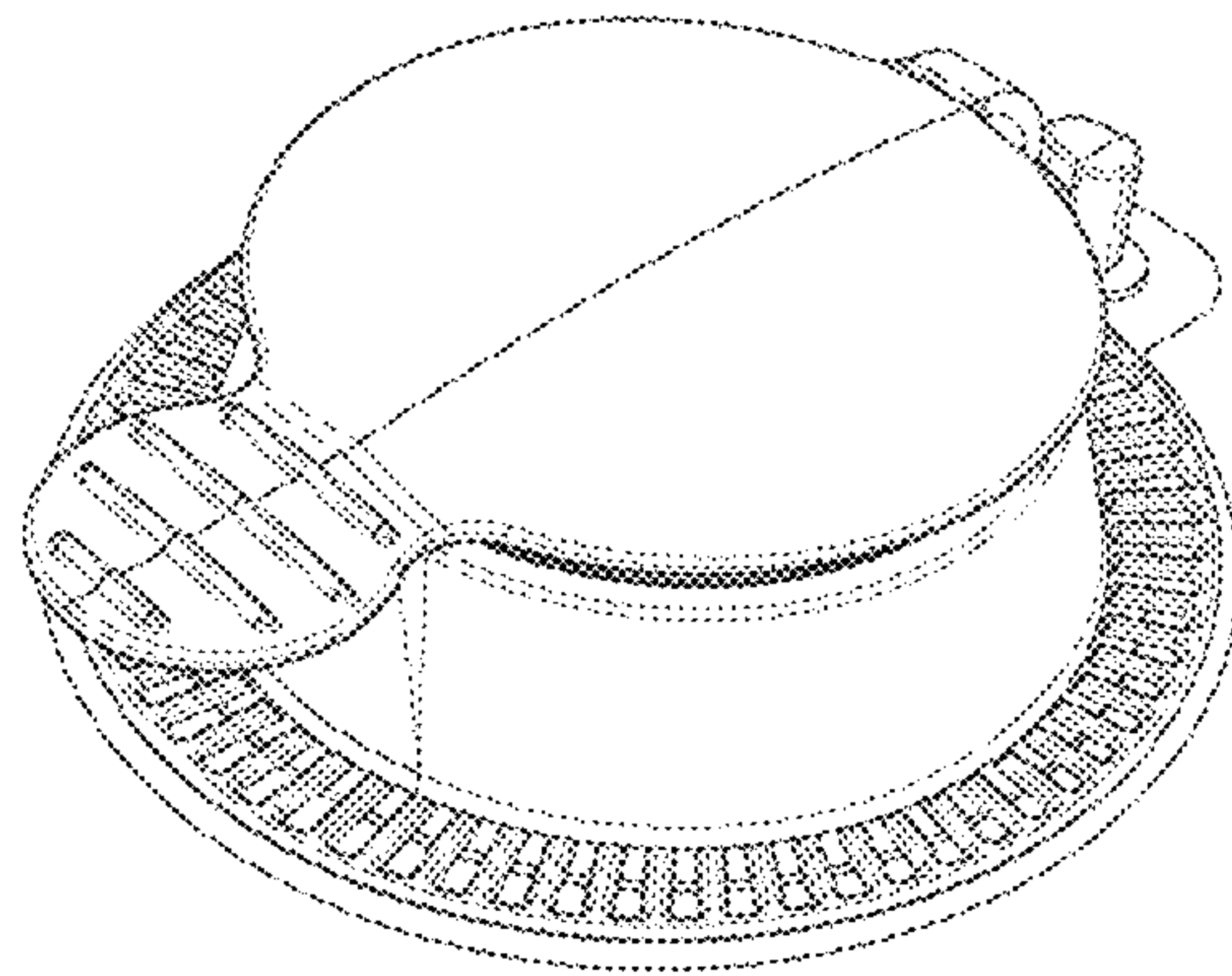
1.6



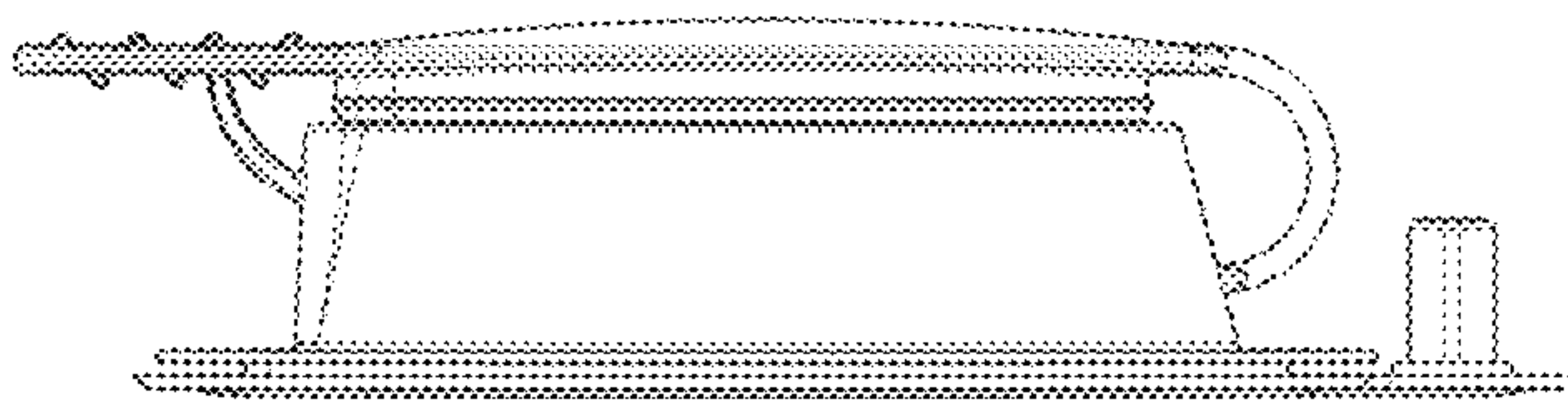
1.7



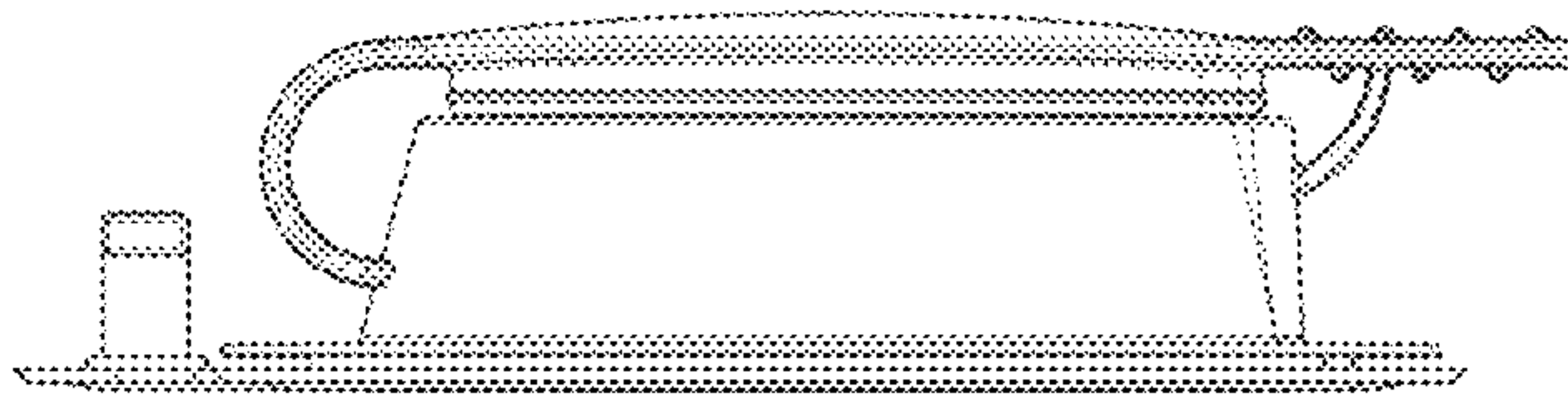
2.1



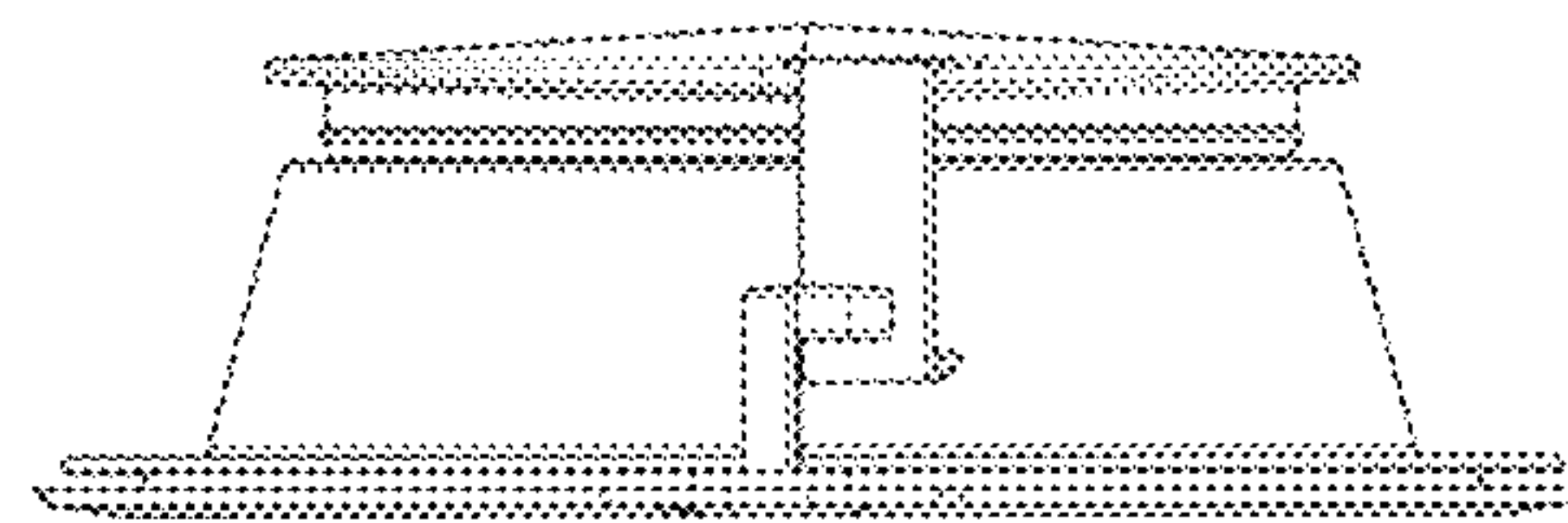
2.2



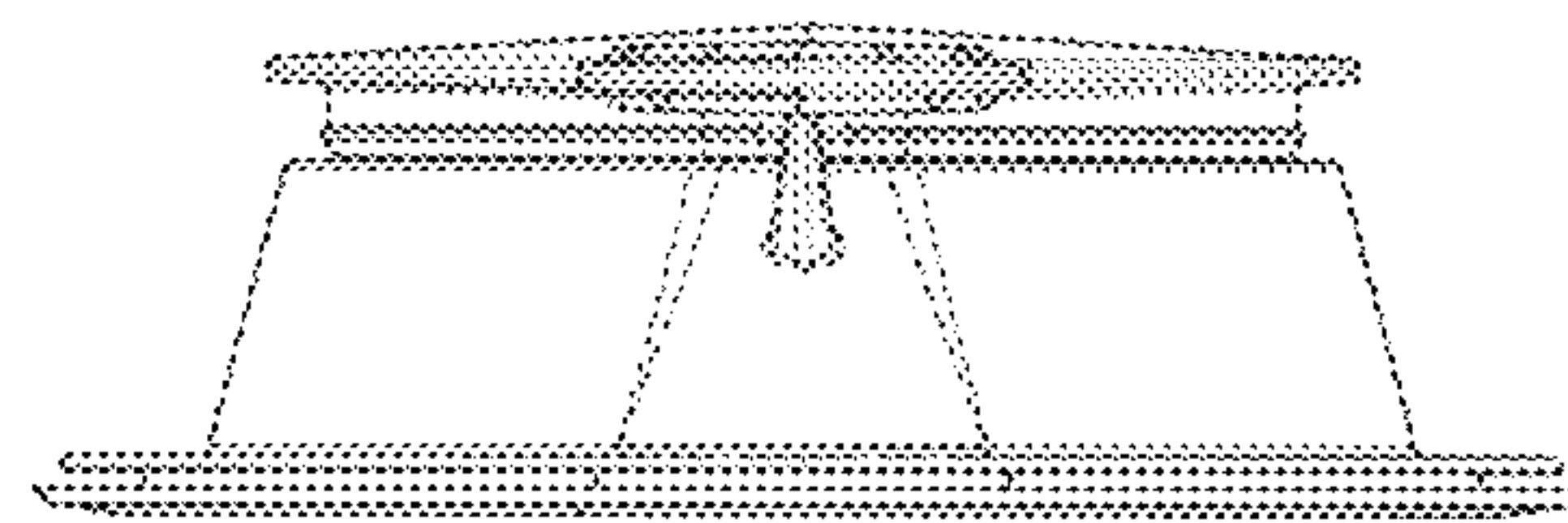
2.3



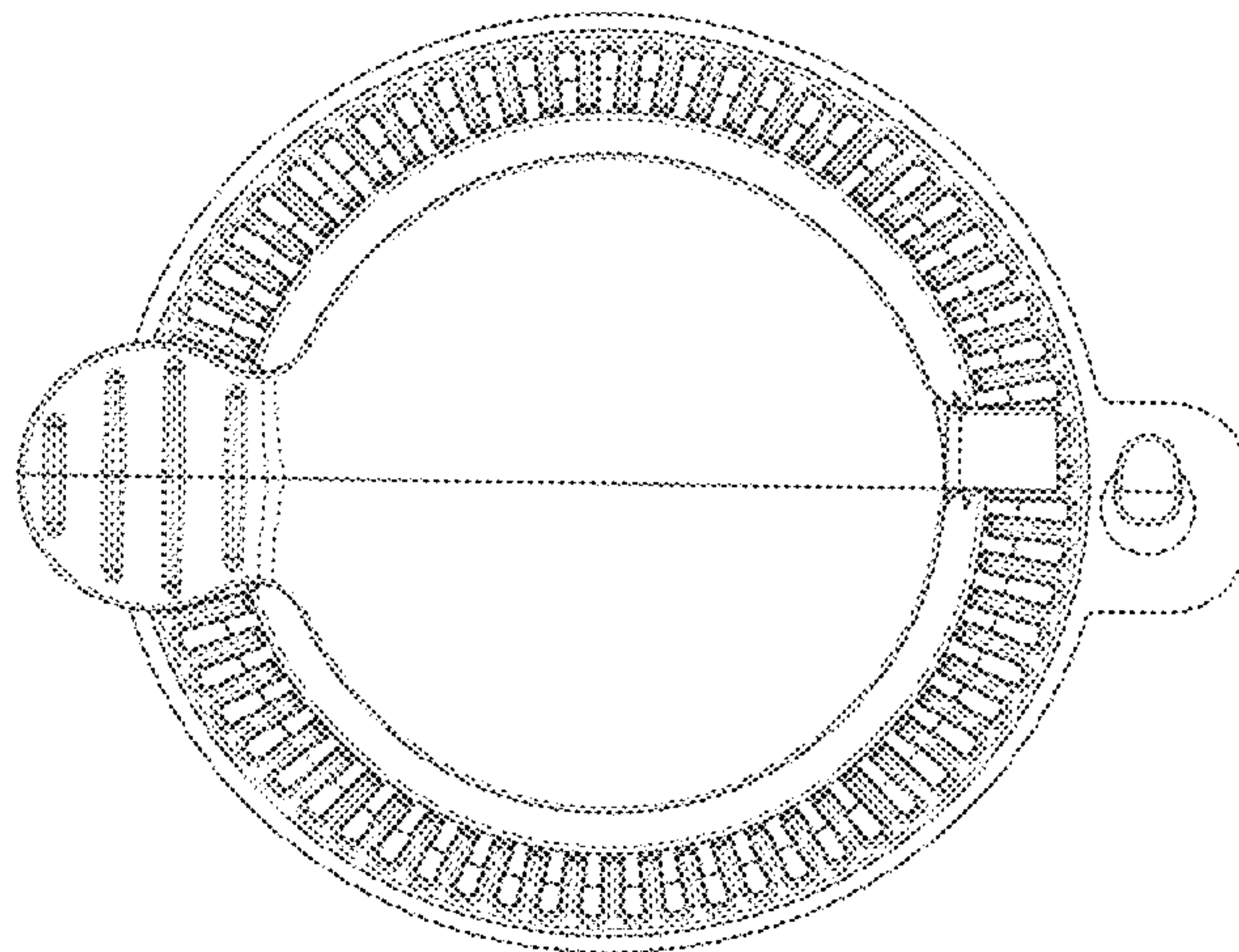
2.4



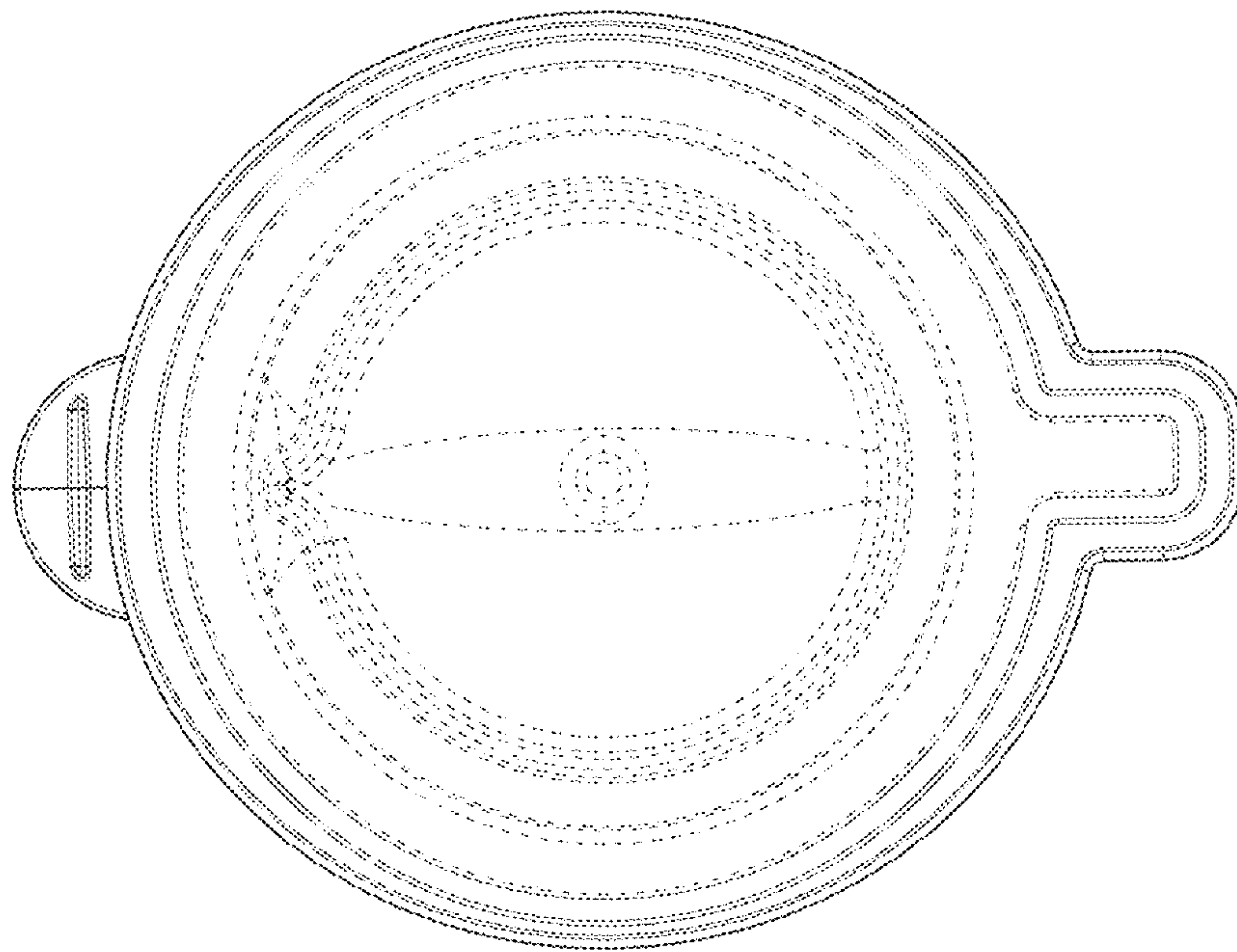
2.5



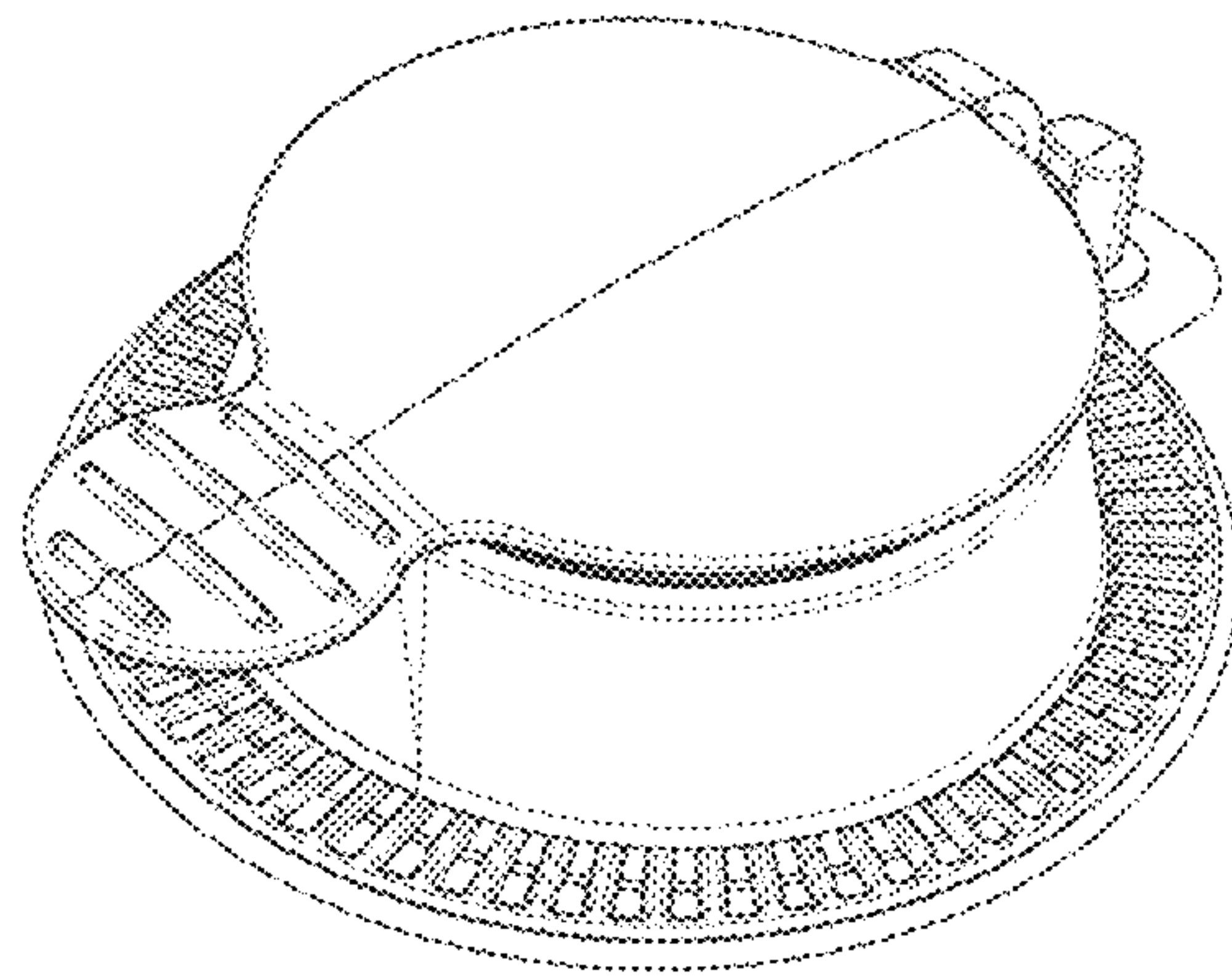
2.6



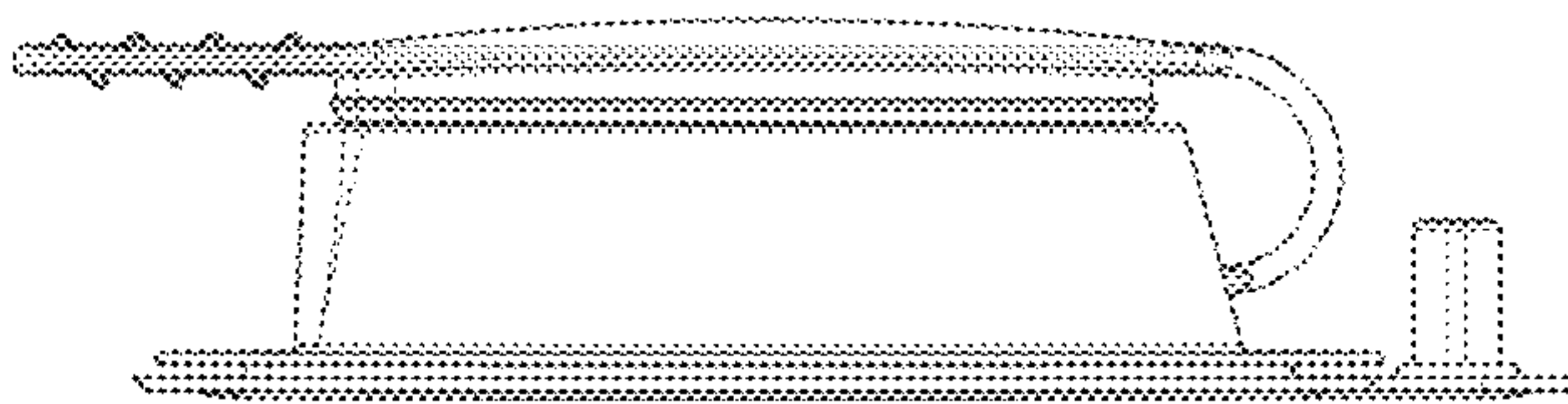
2.7



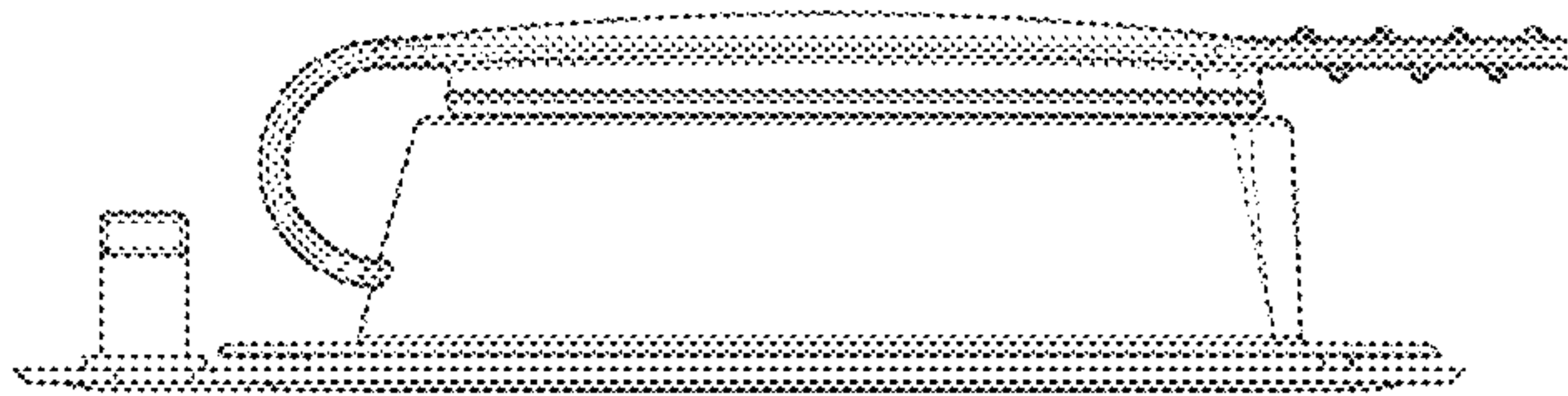
3.1



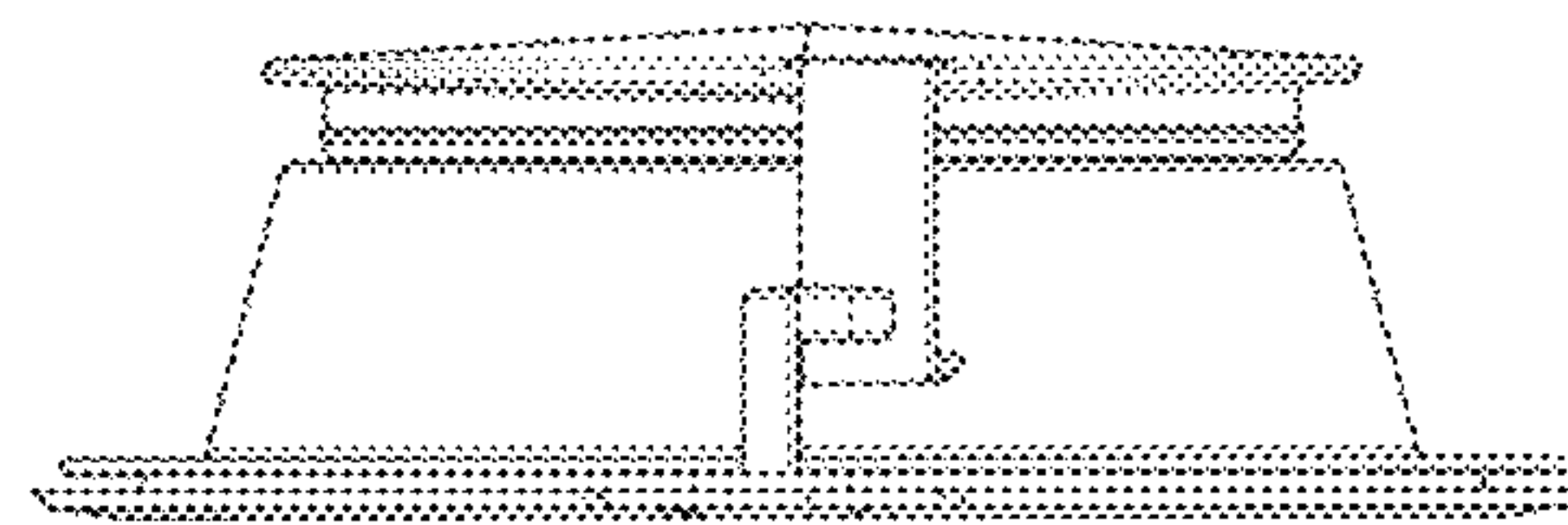
3.2



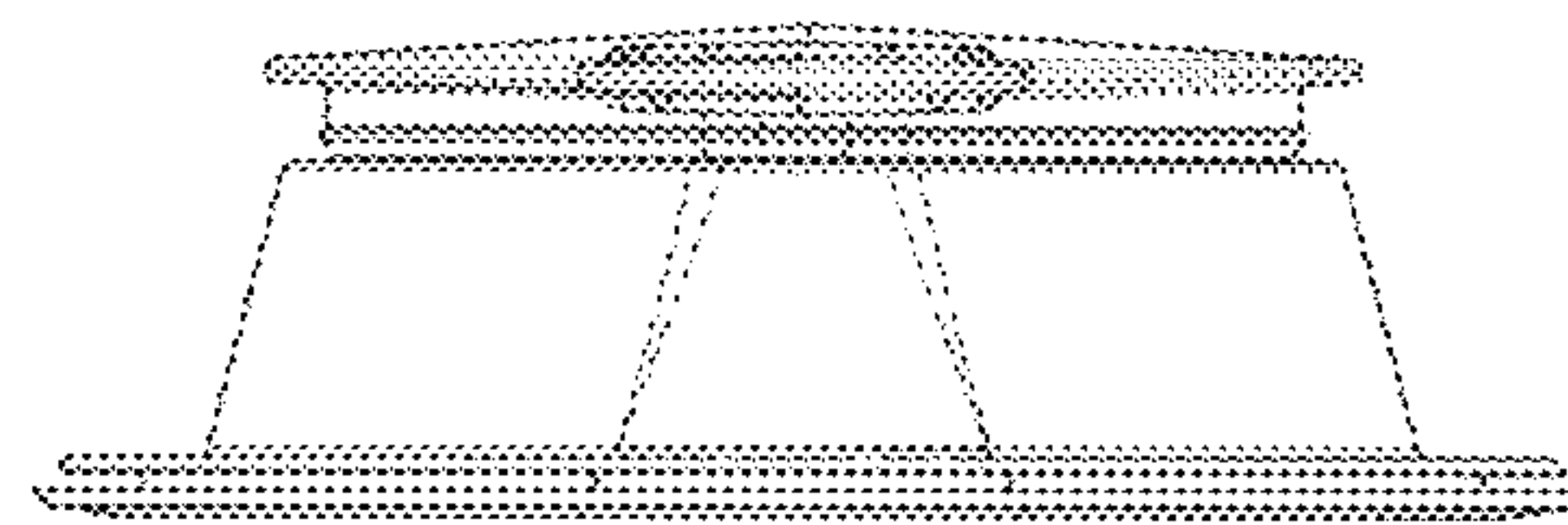
3.3



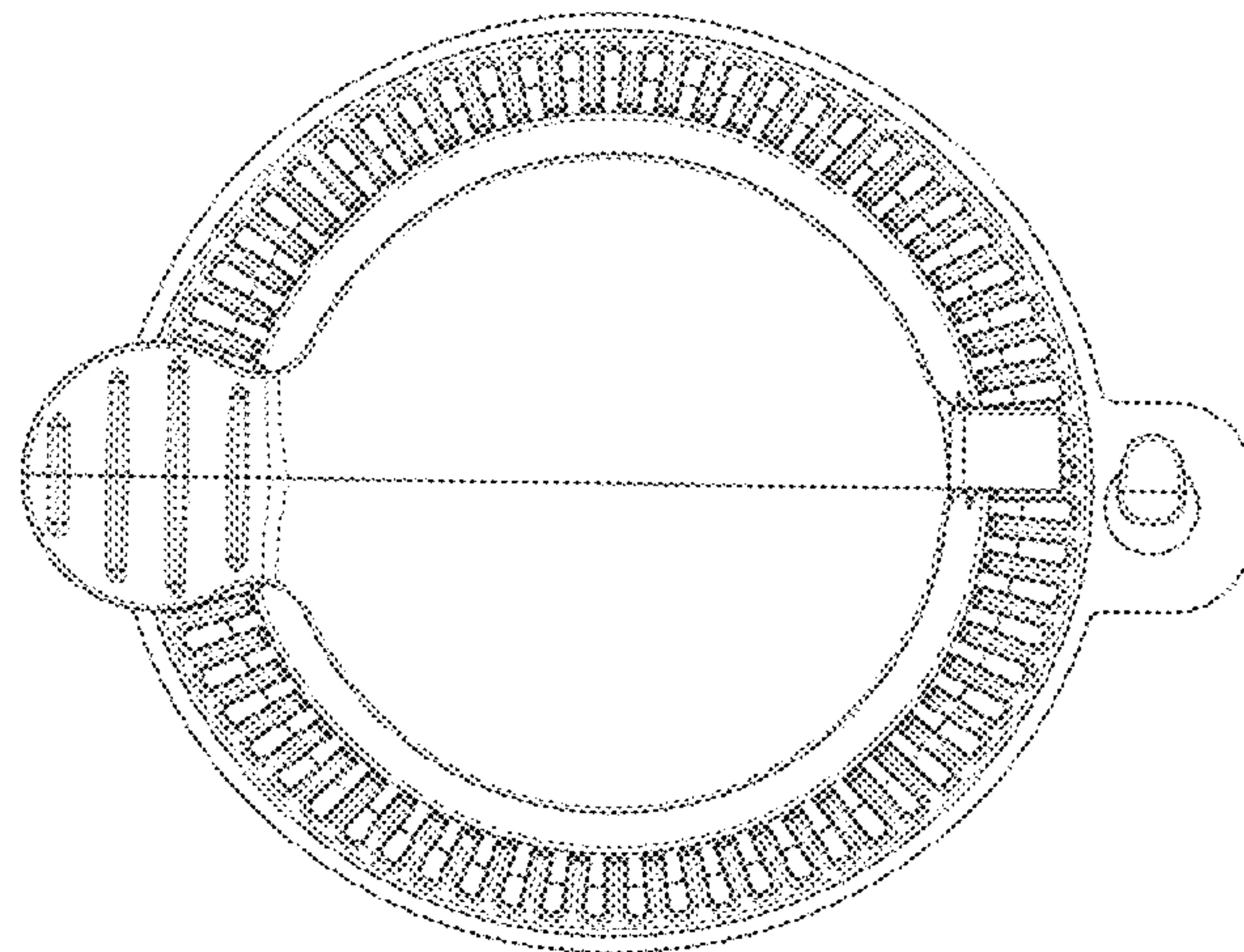
3.4



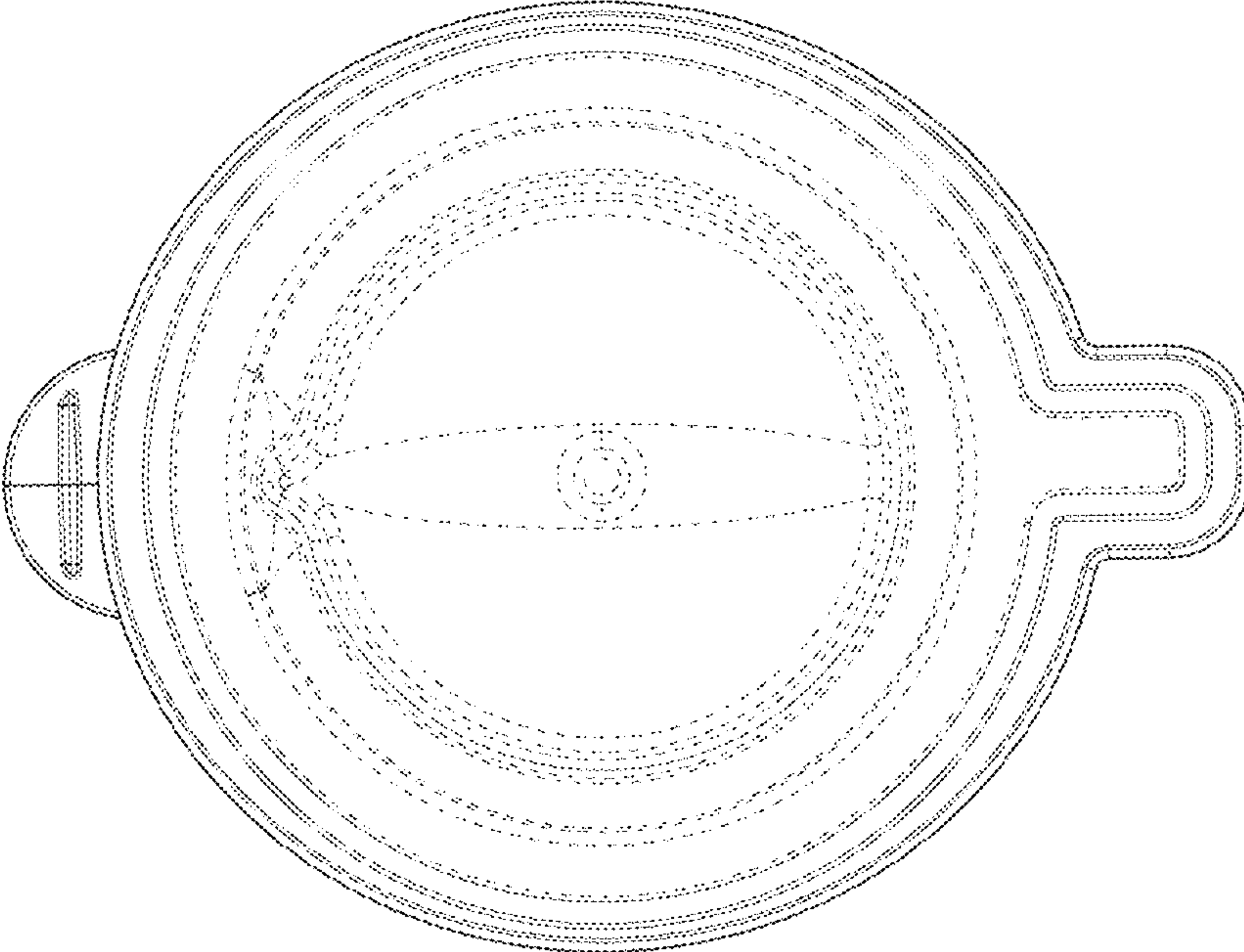
3.5



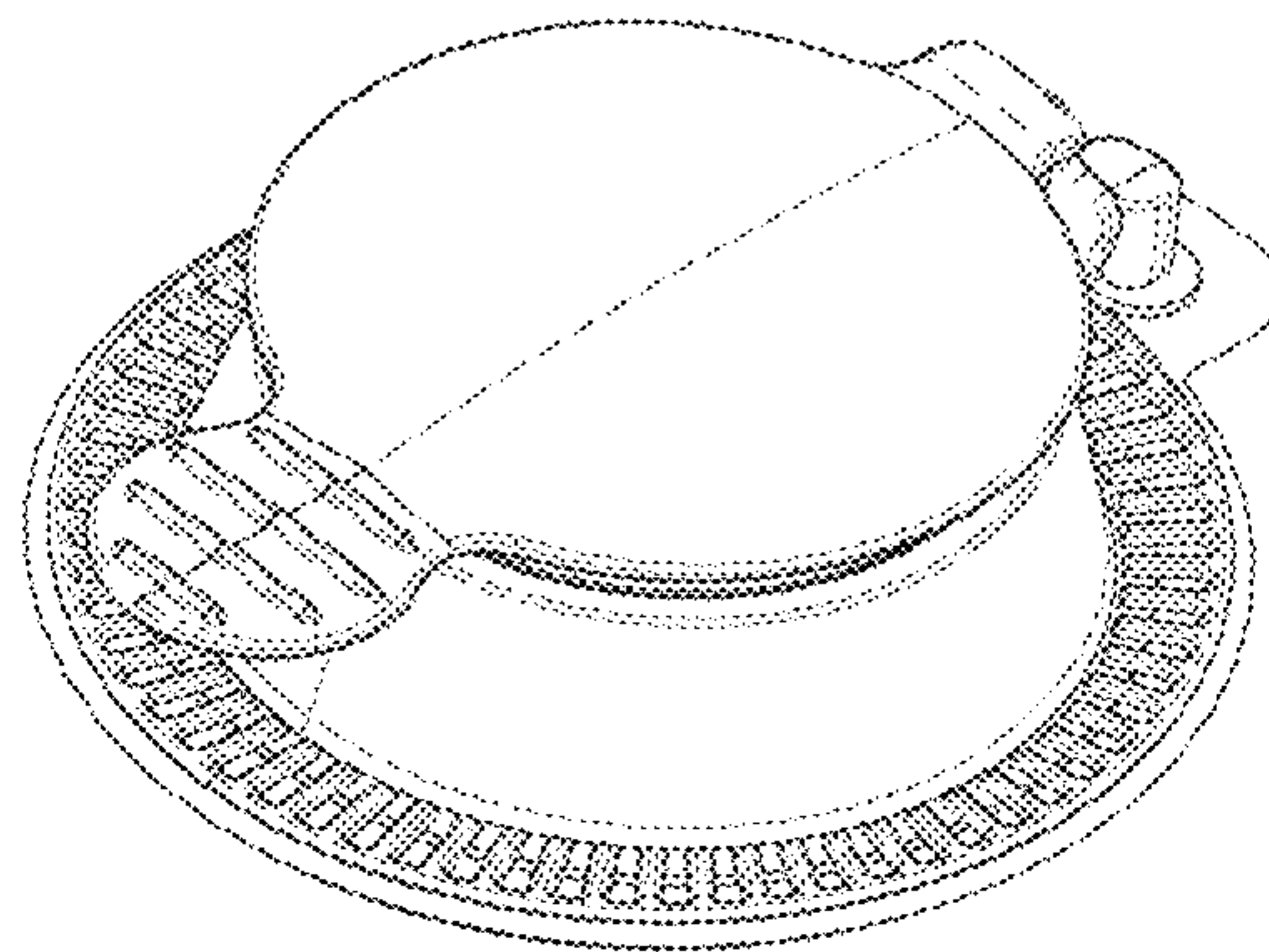
3.6



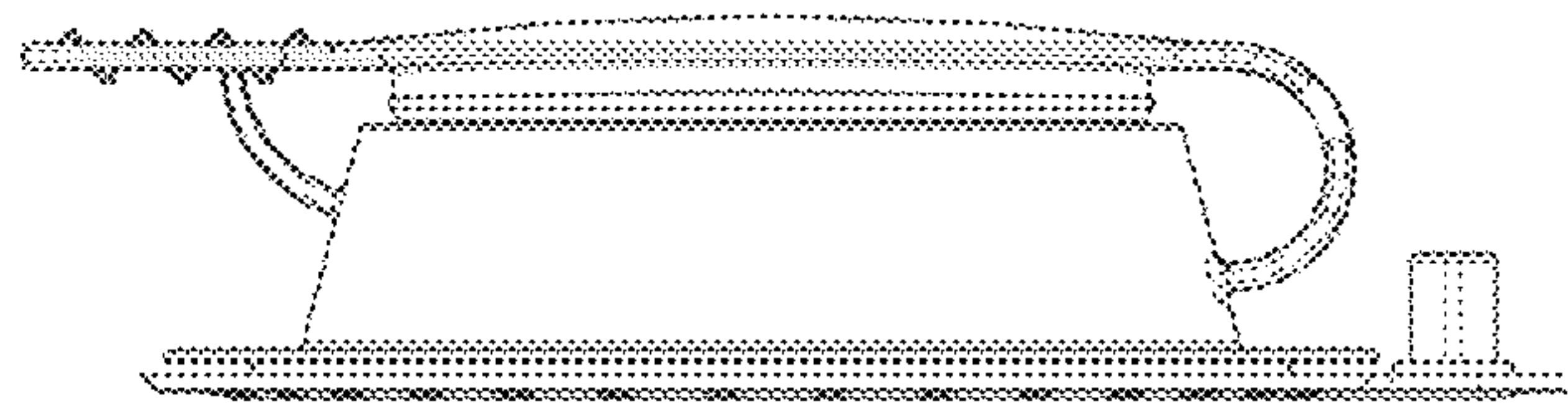
3.7



4.1



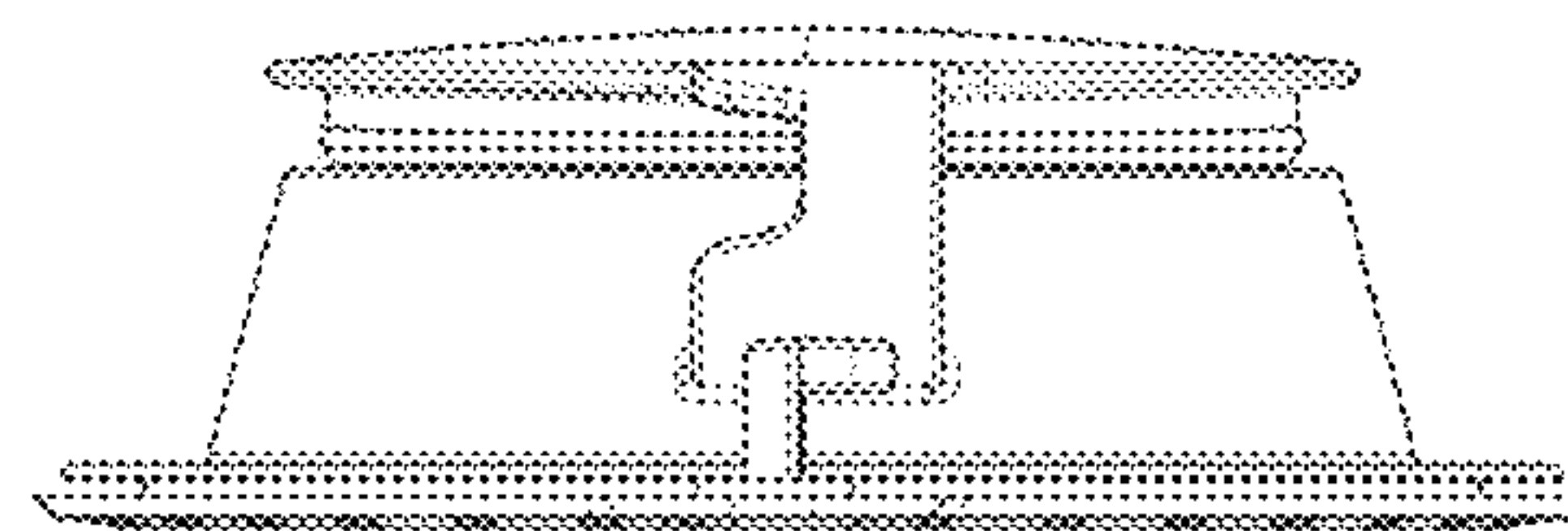
4.2



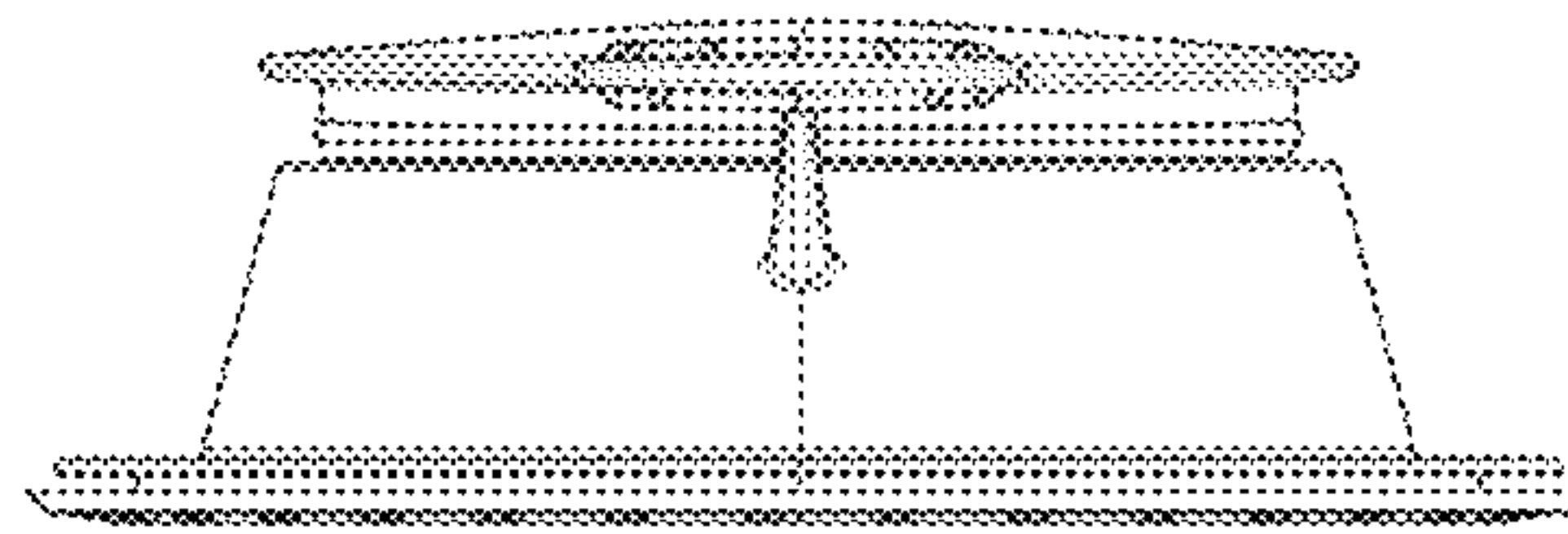
4.3



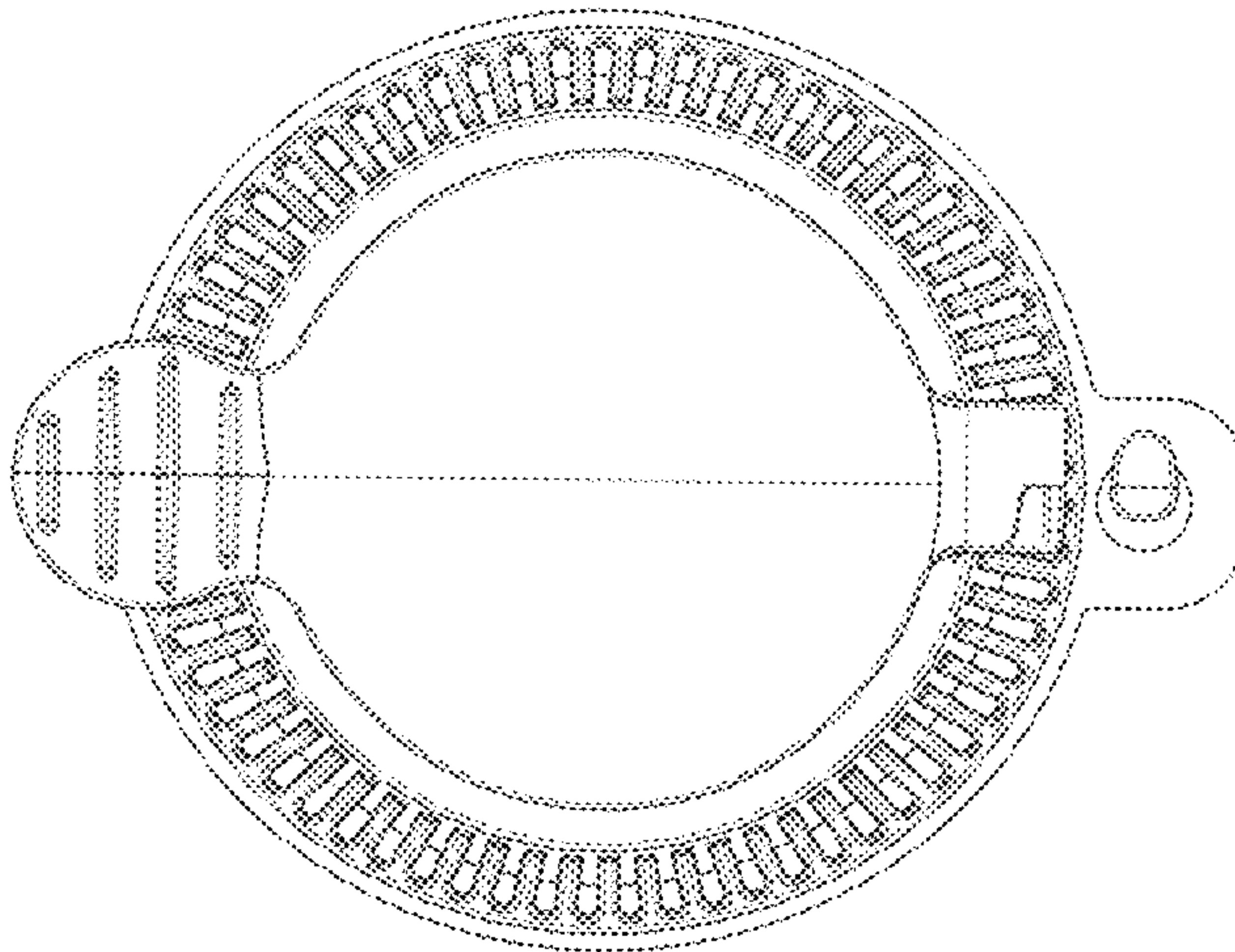
4.4



4.5



4.6



4.7

