



US00D980064S

(12) **United States Design Patent**
Jenkins et al.

(10) **Patent No.:** **US D980,064 S**
(45) **Date of Patent:** **** Mar. 7, 2023**

(54) **CONTAINER CAP**

(71) Applicants: **Richard W. Jenkins**, Powder Springs, FL (US); **Johnny L. Jenkins**, Dallas, GA (US)

(72) Inventors: **Richard W. Jenkins**, Powder Springs, FL (US); **Johnny L. Jenkins**, Dallas, GA (US)

(**) Term: **15 Years**

(21) Appl. No.: **29/826,983**

(22) Filed: **Feb. 16, 2022**

(51) **LOC (14) Cl.** **09-07**

(52) **U.S. Cl.**
USPC **D9/436**

(58) **Field of Classification Search**
USPC D7/312, 313, 316, 387, 393, 396.1, D7/396.2, 397, 398, 400; D9/434-442, D9/446, 447, 451, 452, 453, 454; D23/206, 209, 238, 249, 255, 259, 260, D23/261, 265; D12/197
CPC A47J 31/0673; B65D 85/8046; B65D 2251/0015; B65D 2251/0071; B65D 2251/20; B65D 47/2031; A61J 1/2096; A61J 1/2051; A61J 1/14
See application file for complete search history.

(56) **References Cited**

U.S. PATENT DOCUMENTS

- D160,485 S * 10/1950 Detzel D9/439
- 2,678,142 A * 5/1954 Creed B65D 47/06 220/717
- 3,282,478 A 11/1966 Russell
- 3,543,964 A * 12/1970 Wilhelm G01F 11/268 222/549
- D230,959 S * 3/1974 Sanbanidls D9/442
- D235,343 S * 6/1975 Otto D23/262
- D253,721 S * 12/1979 Gibeck D23/209

- D261,212 S * 10/1981 Mills D7/700
- D292,489 S * 10/1987 Kowollik D9/440
- 4,957,225 A 9/1990 Childers
- 5,104,013 A 4/1992 Hawley
- 5,154,327 A 10/1992 Long
- D355,119 S * 2/1995 Zimmermann D9/440
- D363,220 S * 10/1995 Charbonneau D9/447
- 5,632,315 A 5/1997 Rose

(Continued)

OTHER PUBLICATIONS

Carlisle PourPlus Spout: Announced [Oct. 20, 2011 (online). Site Visited (Jul. 30, 2022). Available from Internet URL: <https://www.amazon.com/Carlisle-PS204AST00-Assorted-PourPlus-Store/dp/B005TLIKXO>.*

(Continued)

Primary Examiner — Catherine S Posthauer
(74) *Attorney, Agent, or Firm* — Mark C. Johnson; Johnson Dalal

(57) **CLAIM**

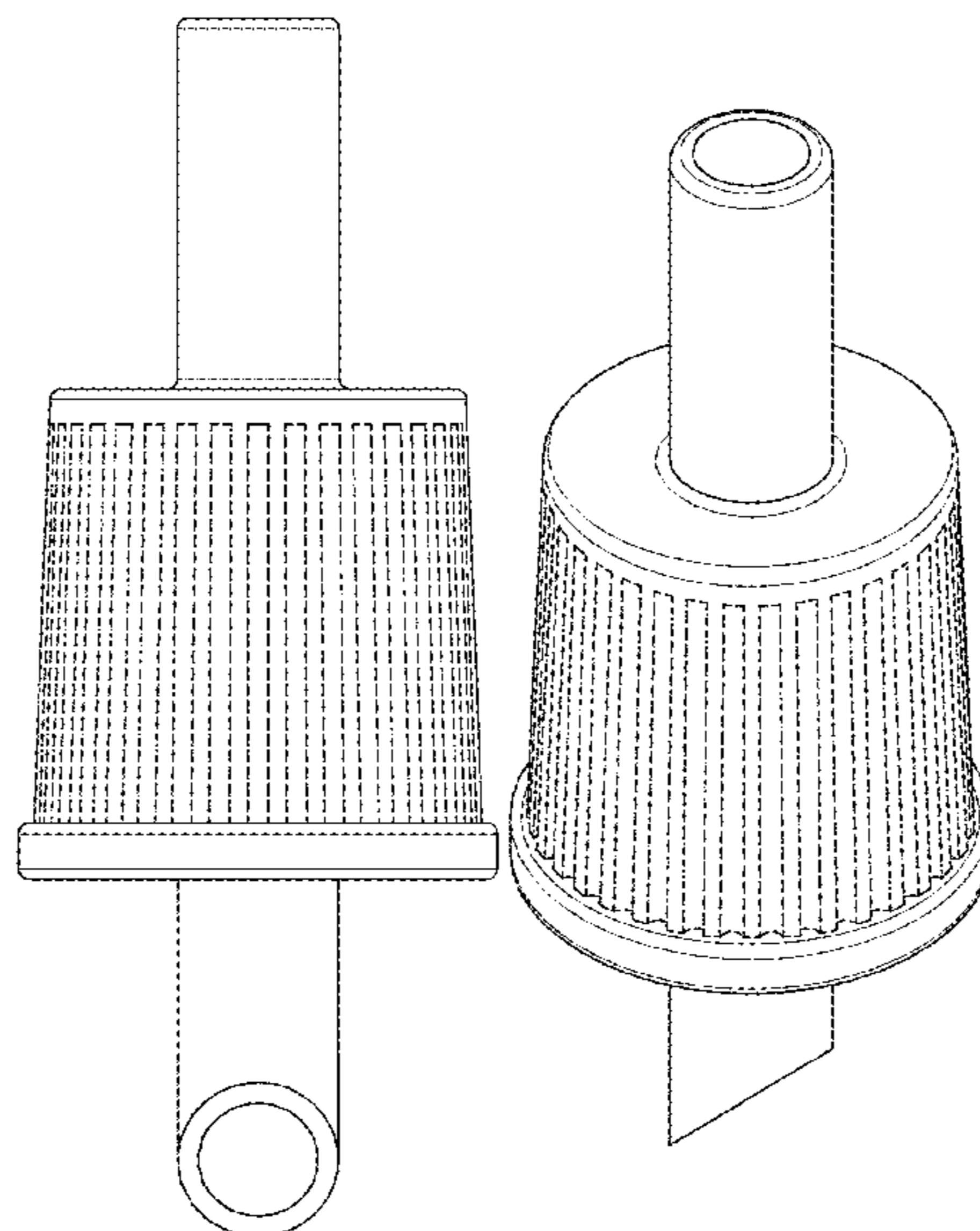
The ornamental design for a container cap, as shown and described.

DESCRIPTION

FIG. 1 is an elevational front view of the container cap in accordance with the present invention;
FIG. 2 is an elevational right-side view of the container cap in FIG. 1;
FIG. 3 is an elevational rear view of the container cap in FIG. 1;
FIG. 4 is an elevational left-side view of the container cap in FIG. 1;
FIG. 5 is a top plan view of the container cap in FIG. 1; and, FIG. 6 is a top perspective view of the container cap in FIG. 1.

The broken lines shown in the drawings depict portions of the container cap which form no part of the claimed design

1 Claim, 6 Drawing Sheets



(56)

References Cited

U.S. PATENT DOCUMENTS

D381,911 S * 8/1997 Lathrop D9/453
 5,772,652 A 6/1998 Zielinski
 5,833,099 A 11/1998 Boaz et al.
 5,954,233 A 9/1999 Kawashima et al.
 D418,753 S * 1/2000 DuBow D9/434
 6,247,616 B1 6/2001 Weiler et al.
 D501,359 S * 2/2005 Bodum D7/397
 6,971,548 B2 12/2005 Smith
 D520,359 S * 5/2006 Sach D9/439
 7,980,424 B2 7/2011 Johnson
 D659,225 S * 5/2012 Rubin D23/260
 D690,596 S * 10/2013 Logue D9/447
 8,668,400 B2 3/2014 Ecker et al.
 8,752,730 B2 6/2014 Newman et al.
 D721,958 S * 2/2015 Hamway D9/436
 D722,872 S * 2/2015 Bowman D9/436
 D734,150 S * 7/2015 Rigel D9/440
 D750,740 S * 3/2016 Branscomb D23/209
 D758,554 S * 6/2016 Lohmann D23/261
 9,650,188 B1 5/2017 Grabowski et al.
 D831,396 S * 10/2018 Yoon D7/400

D840,814 S * 2/2019 Willis D9/447
 10,336,511 B2 7/2019 Stolle
 D865,442 S * 11/2019 Hunter D7/396.2
 D876,229 S * 2/2020 Sacchetti D24/112
 D882,035 S * 4/2020 Kremerman D23/206
 D888,197 S * 6/2020 McDonnell D9/442
 10,730,069 B2 8/2020 Lussier et al.
 D943,416 S * 2/2022 Kim D9/447
 D958,656 S * 7/2022 Lupberger D9/447
 2003/0024947 A1 2/2003 Joshi et al.
 2003/0213709 A1* 11/2003 Gibler B65D 51/2842
 206/219
 2004/0226968 A1 11/2004 Lafond
 2010/0127004 A1* 5/2010 Ben-Sasson A47G 19/2222
 220/737

OTHER PUBLICATIONS

Tuff Jug Replacement Black Cap with Spiill Proof Spout: Site Visited (Jul. 30, 2022). Available from Internet URL: <https://www.sears.com/tuff-jug-tuff-juff-5gal-replacement-black-cap/p-A099766676>.

*

* cited by examiner

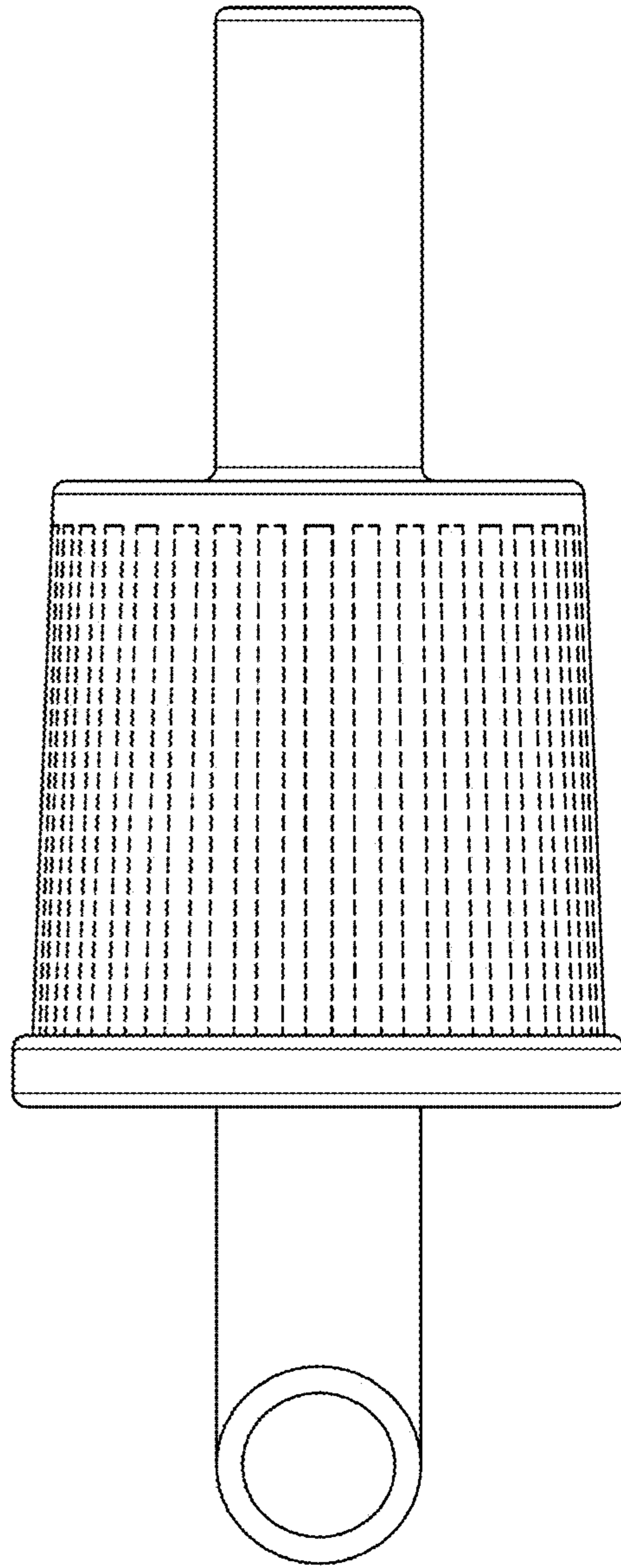


FIG.1

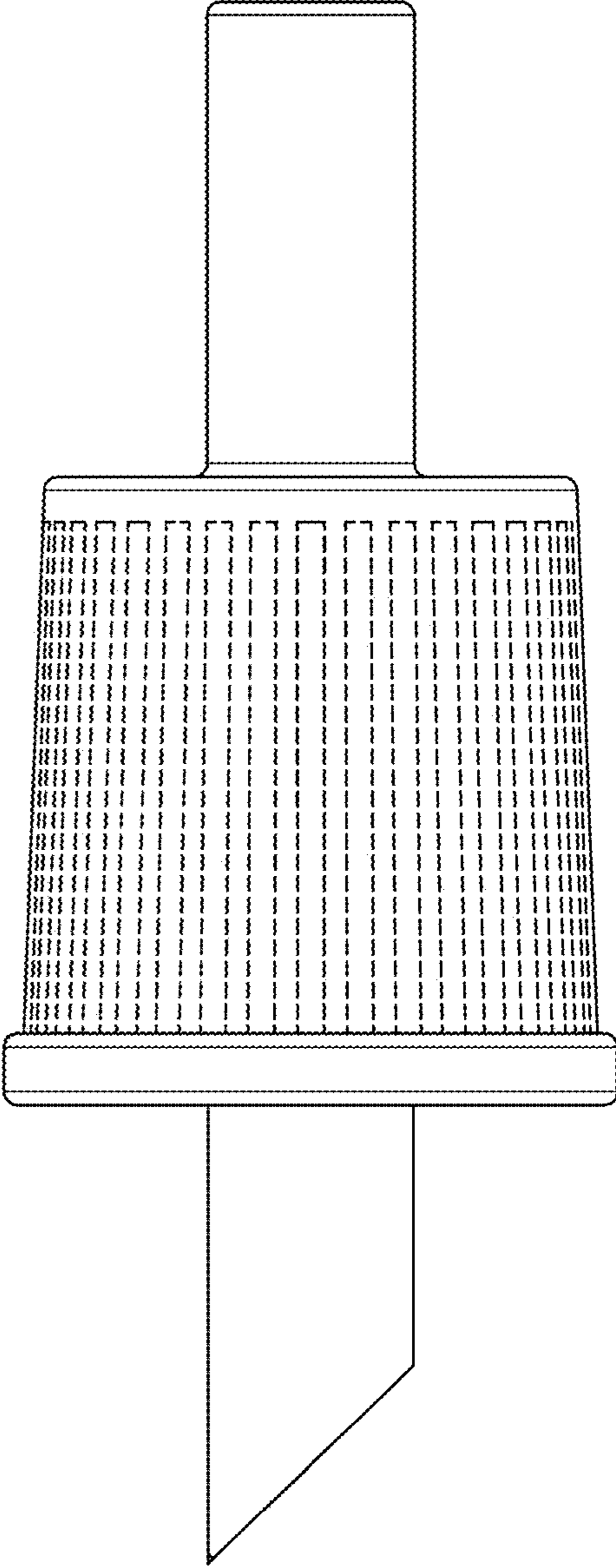


FIG.2

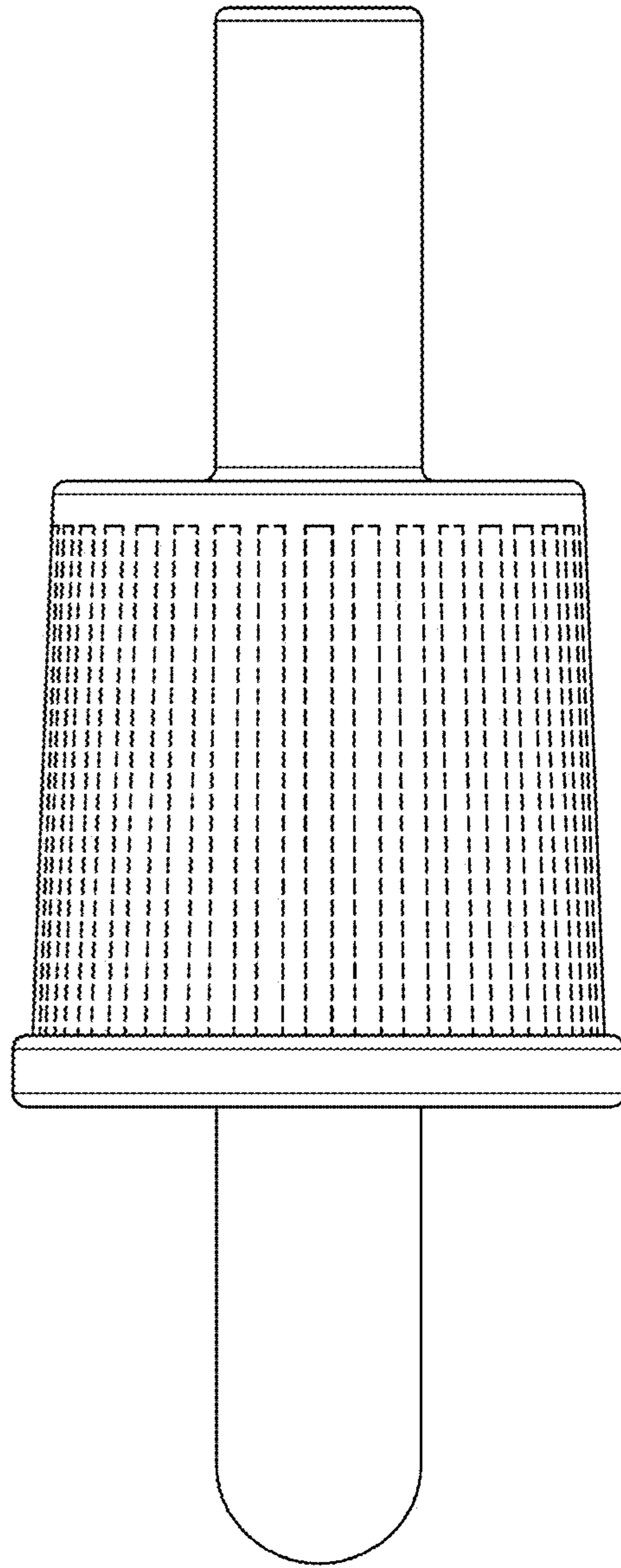


FIG.3

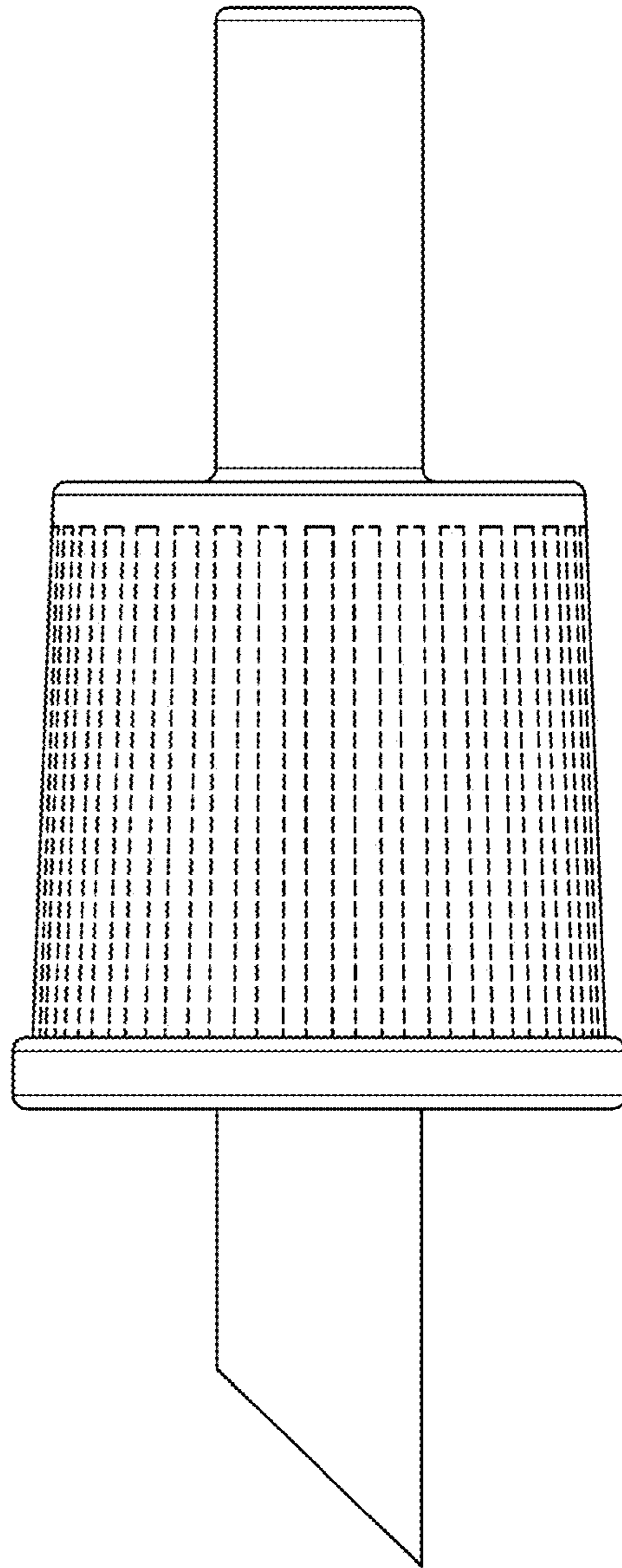


FIG. 4

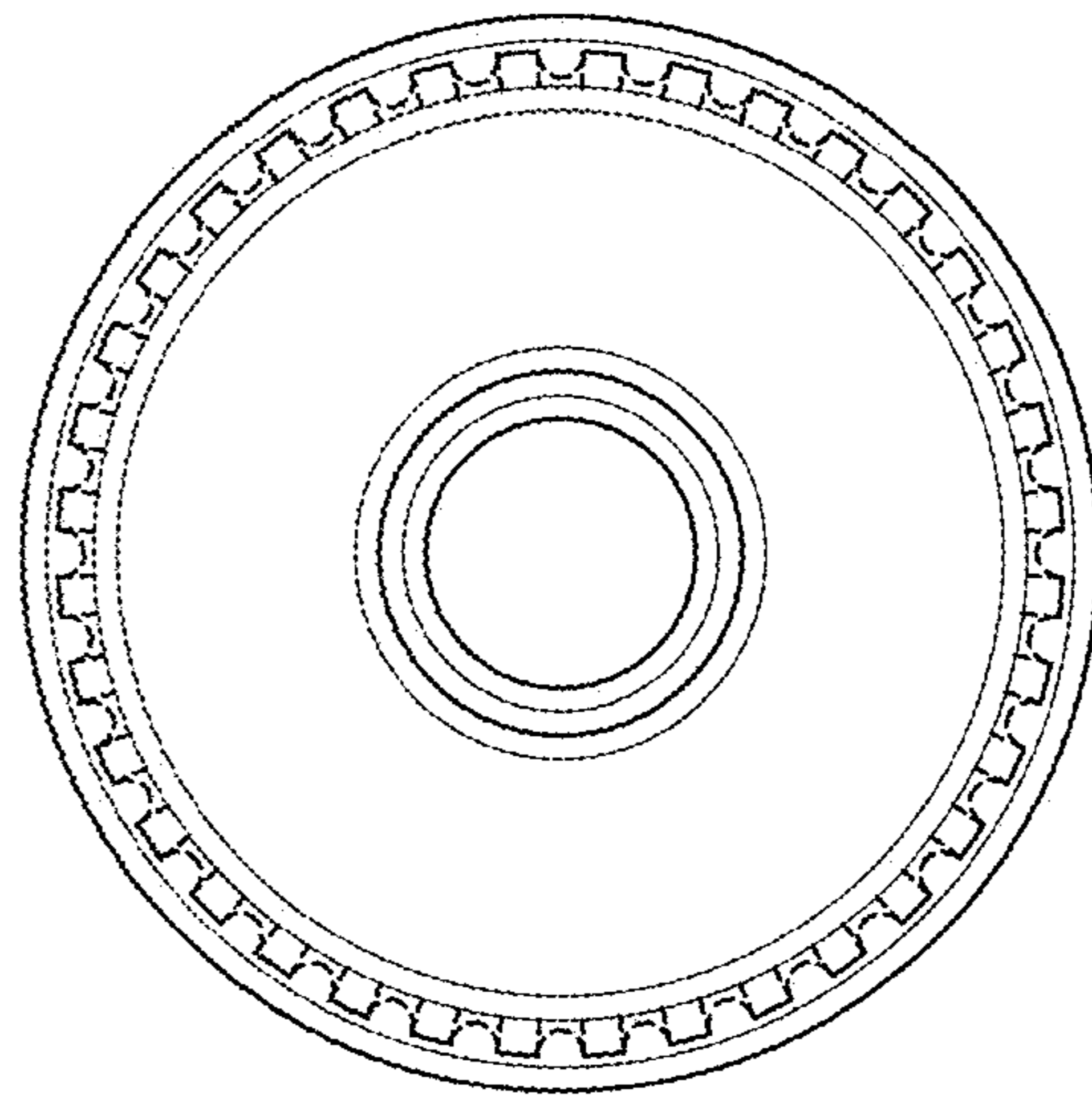


FIG.5

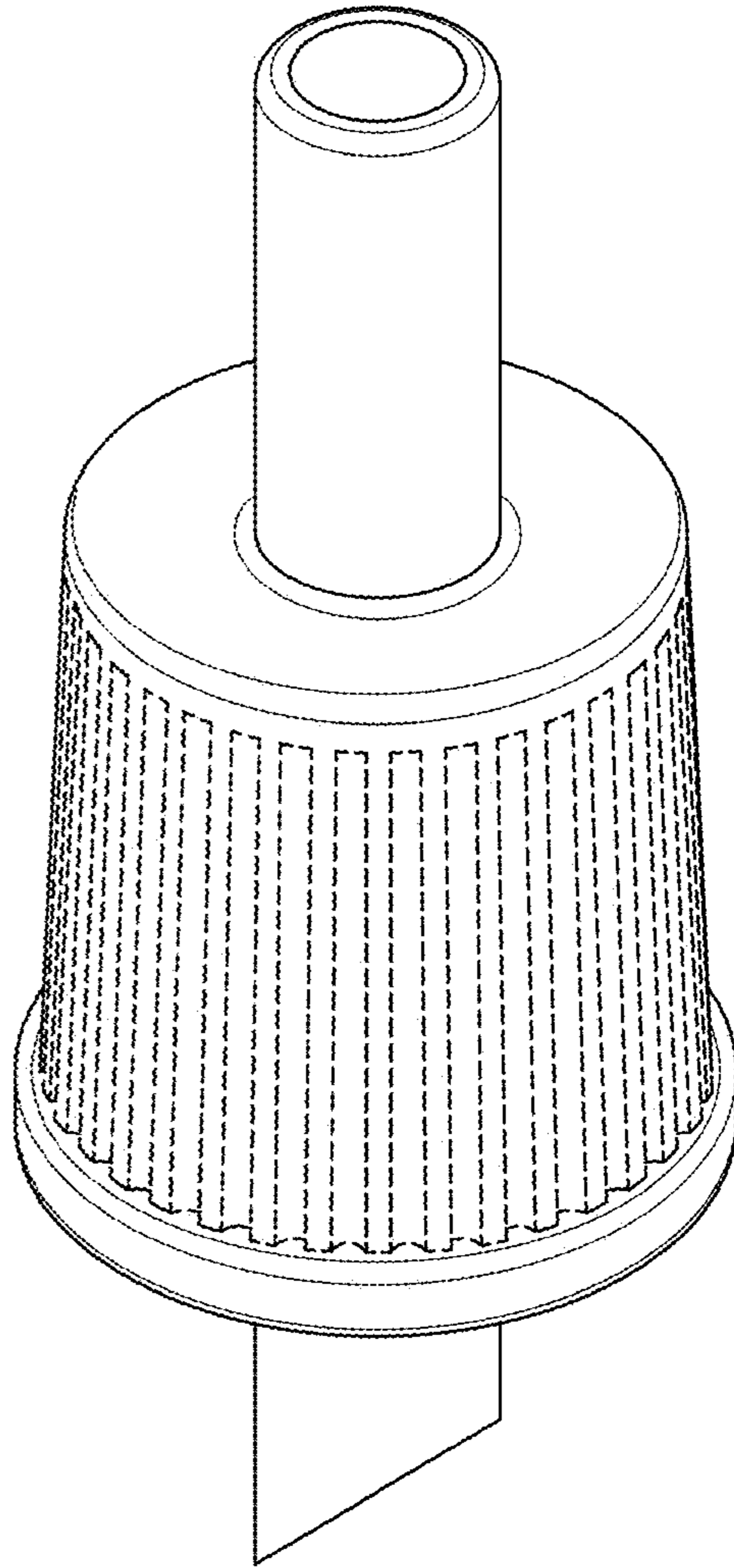


FIG.6