



US00D980062S

(12) **United States Design Patent** (10) **Patent No.:** **US D980,062 S**
Yang (45) **Date of Patent:** **** Mar. 7, 2023**

(54) **SILICONE DIPS CONTAINER**

FOREIGN PATENT DOCUMENTS

(71) Applicant: **Foshan Nanhai Jiafubao Household Products Factory**, Foshan (CN)

CN 1620390 A * 5/2005 B65D 43/0256
JP D1666703 * 8/2020
KR 300951566.0000 * 4/2018

(72) Inventor: **Guoyan Yang**, Foshan (CN)

(**) Term: **15 Years**

OTHER PUBLICATIONS

(21) Appl. No.: **29/858,154**

Tupperware Keen Tab Plastic Container Set. Date first available: Mar. 21, 2017. Site visited: Nov. 22, 2022. Available online: https://www.amazon.com/Tupperware-Plastic-Container-500MI-Multicolour/dp/B01AXR1M88/ref=sr_1_48 (Year: 2017).*

(22) Filed: **Oct. 28, 2022**

(51) **LOC (14) Cl.** **09-03**

(Continued)

(52) **U.S. Cl.**

USPC **D9/432**; D7/629

(58) **Field of Classification Search**

USPC D9/432, 414, 417, 423, 549, 424;
D7/541, 553.1, 553.5, 602, 701, 590, 615,
D7/629, 630, 507, 532, 598, 612, 510,
D7/511, 625; D3/203.3, 315, 900, 905,
D3/903, 201, 290; D19/93; D24/224;
D27/172; D28/73, 83

Primary Examiner — Catherine S Posthauer

Assistant Examiner — Joan E. Diehl

(74) *Attorney, Agent, or Firm* — Daniel M. Cohn;
Howard M. Cohn

CPC B65D 43/02; B65D 43/0206; B65D
43/0256; B65D 1/00; A47J 47/02; A47G
19/02; A47G 19/18; A47G 19/32

See application file for complete search history.

(57) **CLAIM**

The ornamental design for a silicone dips container, as shown and described.

DESCRIPTION

(56) **References Cited**

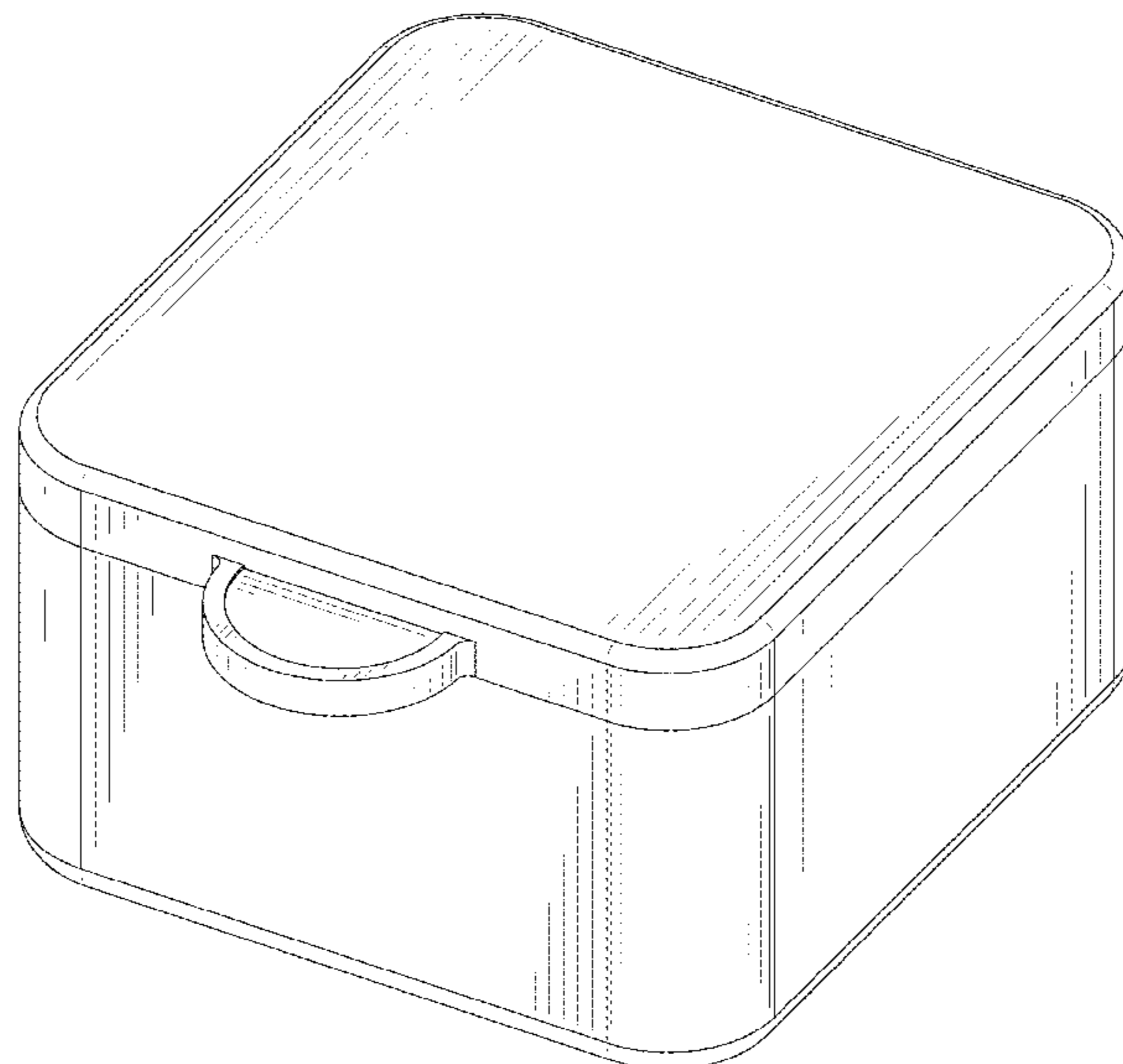
U.S. PATENT DOCUMENTS

D233,487 S * 10/1974 Weir D3/290
D568,693 S * 5/2008 Furlong D7/629
D631,300 S * 1/2011 Samartgis D7/630
D672,612 S * 12/2012 Stamper D7/602
D679,586 S * 4/2013 Afford D9/425
D684,824 S * 6/2013 Sweet D7/629
D723,218 S * 2/2015 Goswell D28/83
D742,216 S * 11/2015 Abbott D9/424
D825,325 S * 8/2018 Maxwell D9/424
D848,799 S 5/2019 Appelbaum
D862,176 S * 10/2019 Yu D7/602
D874,875 S * 2/2020 Huang D7/602
D884,974 S * 5/2020 Kim D28/83

FIG. 1 is a perspective view of a silicone dips container showing my new design in a closed configuration; FIG. 2 is another perspective view thereof; FIG. 3 is a front elevational view thereof; FIG. 4 is a rear elevational view thereof; FIG. 5 is a left side elevational view thereof; FIG. 6 is a right side elevational view thereof; FIG. 7 is a top plan view thereof; FIG. 8 is a bottom plan view thereof; and, FIG. 9 is a perspective view of the silicone dips container, shown in an open configuration. The dash-dash broken lines in the drawings depict portions of the silicone dips container that form no part of the claimed design.

(Continued)

1 Claim, 9 Drawing Sheets



(56)

References Cited

U.S. PATENT DOCUMENTS

D964,743 S 9/2022 Kraemer
2009/0120937 A1* 5/2009 Vovan B65D 43/0206
220/266

OTHER PUBLICATIONS

Fruui Salad Dressing Container To Go. Date first available: Oct. 20, 2022. Site visited: Nov. 22, 2022. Available online: https://www.amazon.com/Dressing-Container-Compatible-Containers-Leakproof/dp/B0BFFDMYWP/ref=pd_lpo_1 (Year: 2022).*

Omiebox Lunch box on YouTube. Date posted: May 19, 2022. Site visited: Nov. 22, 2022. Available online: <https://www.youtube.com/watch?v=F6AH0593A6M> (Year: 2022).*

* cited by examiner

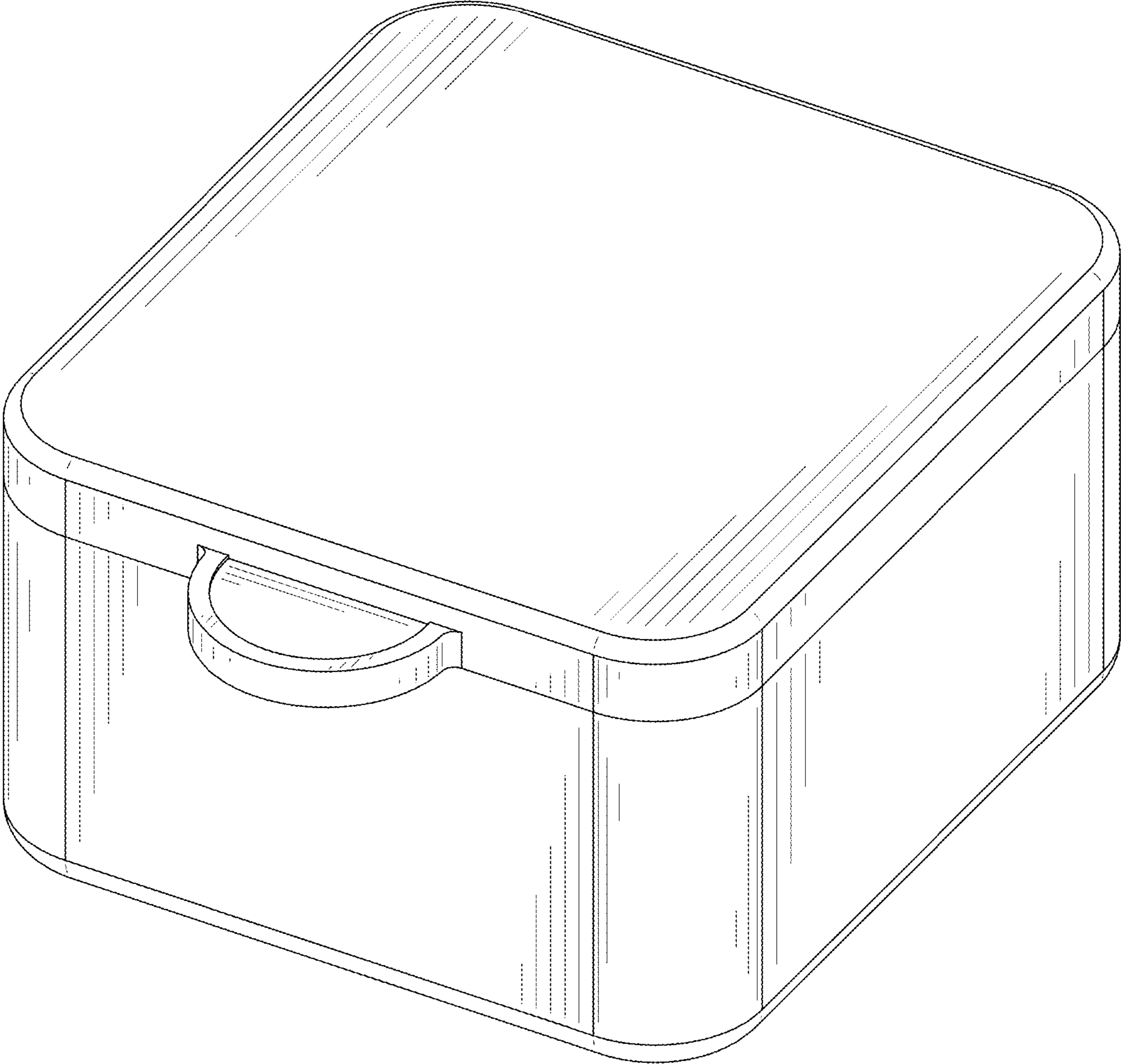


FIG. 1

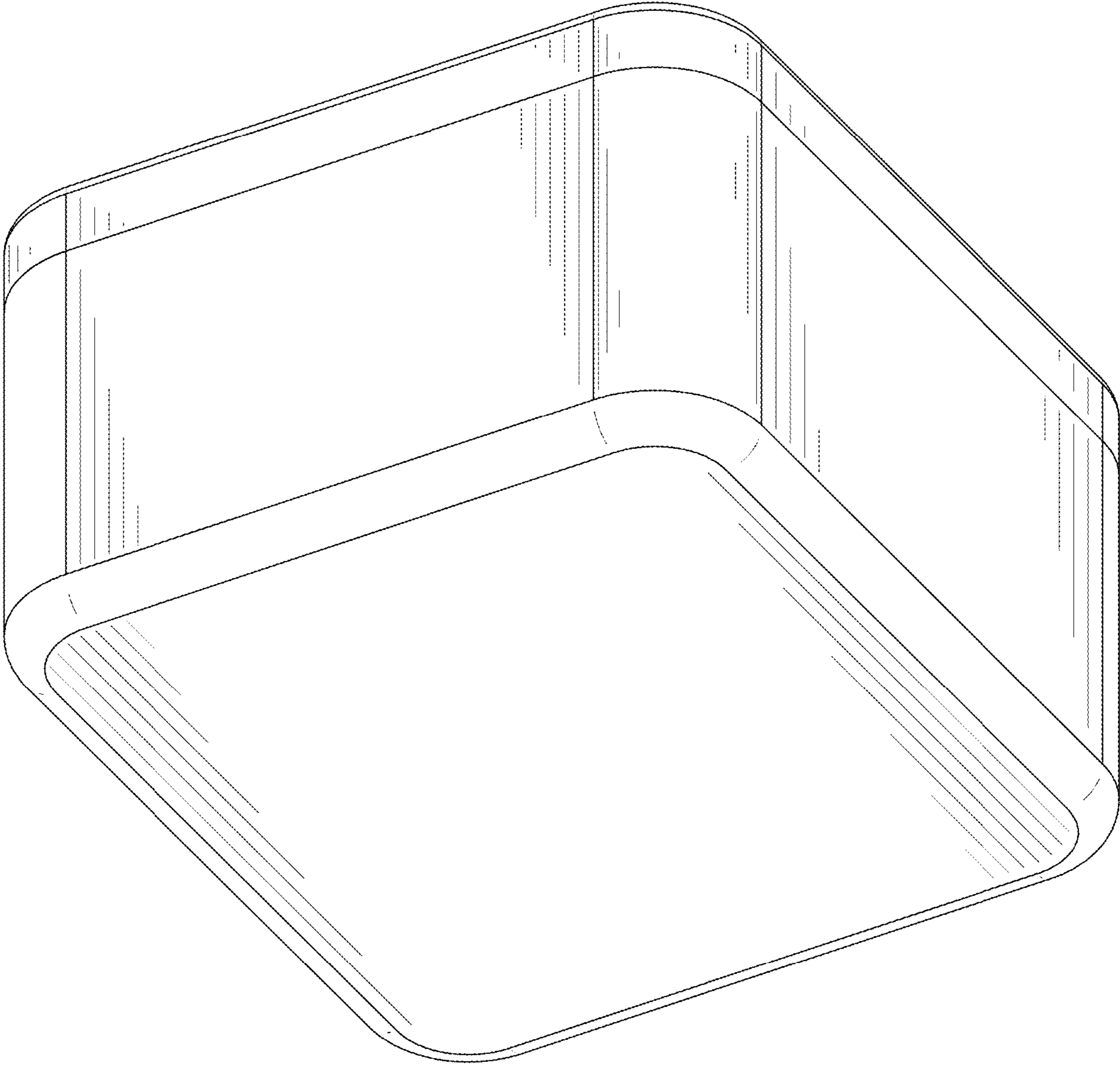


FIG. 2

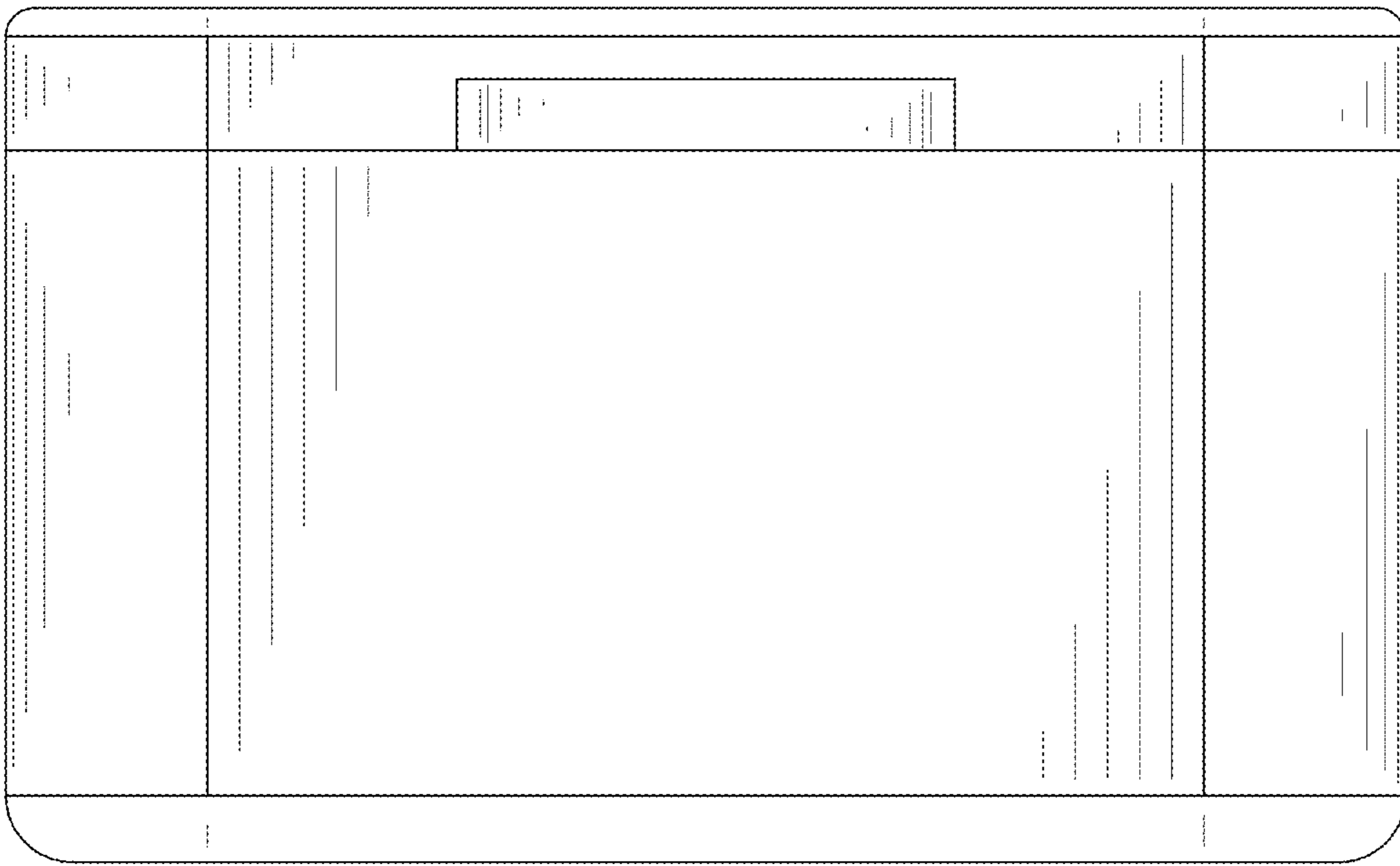


FIG. 3

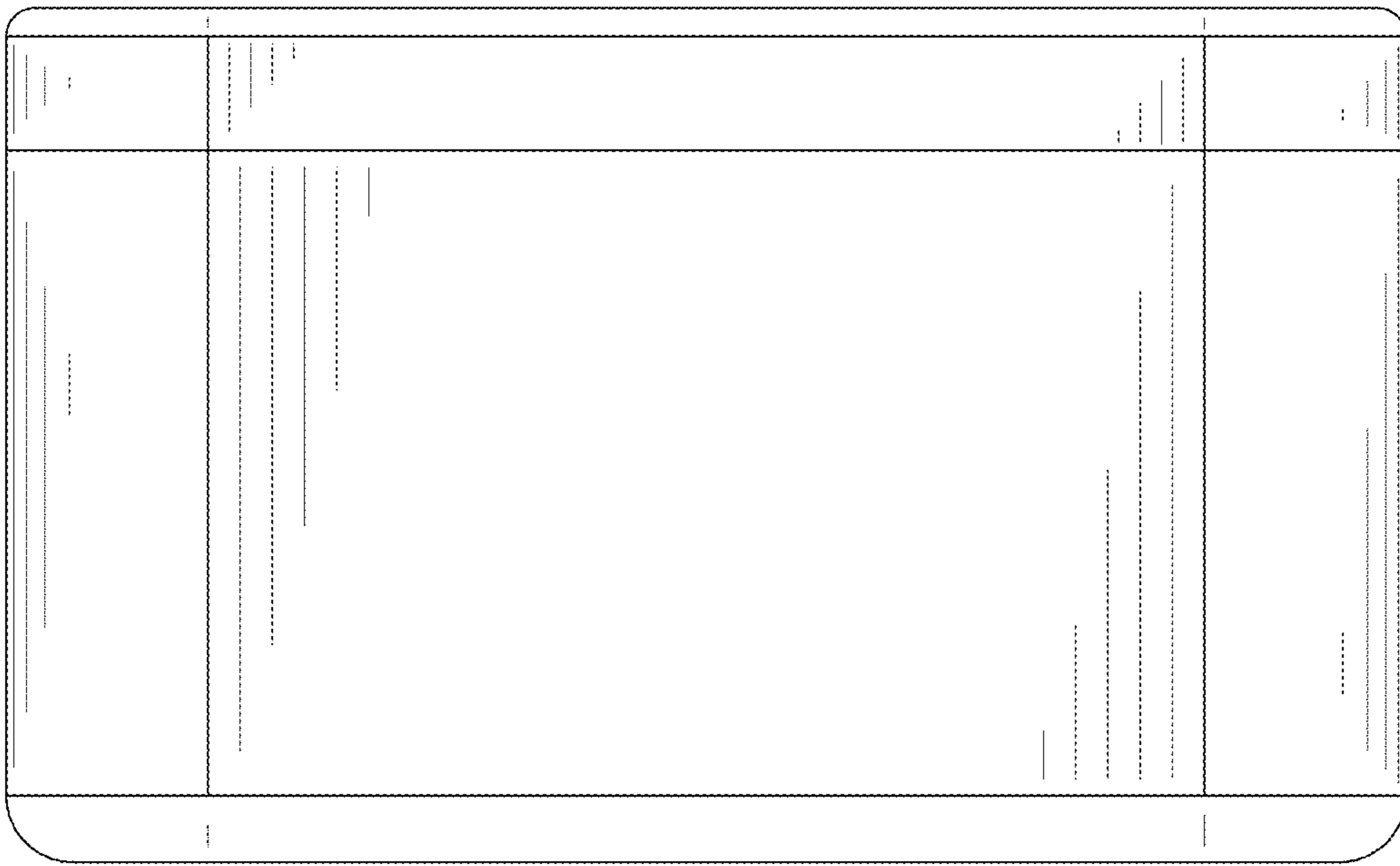


FIG. 4

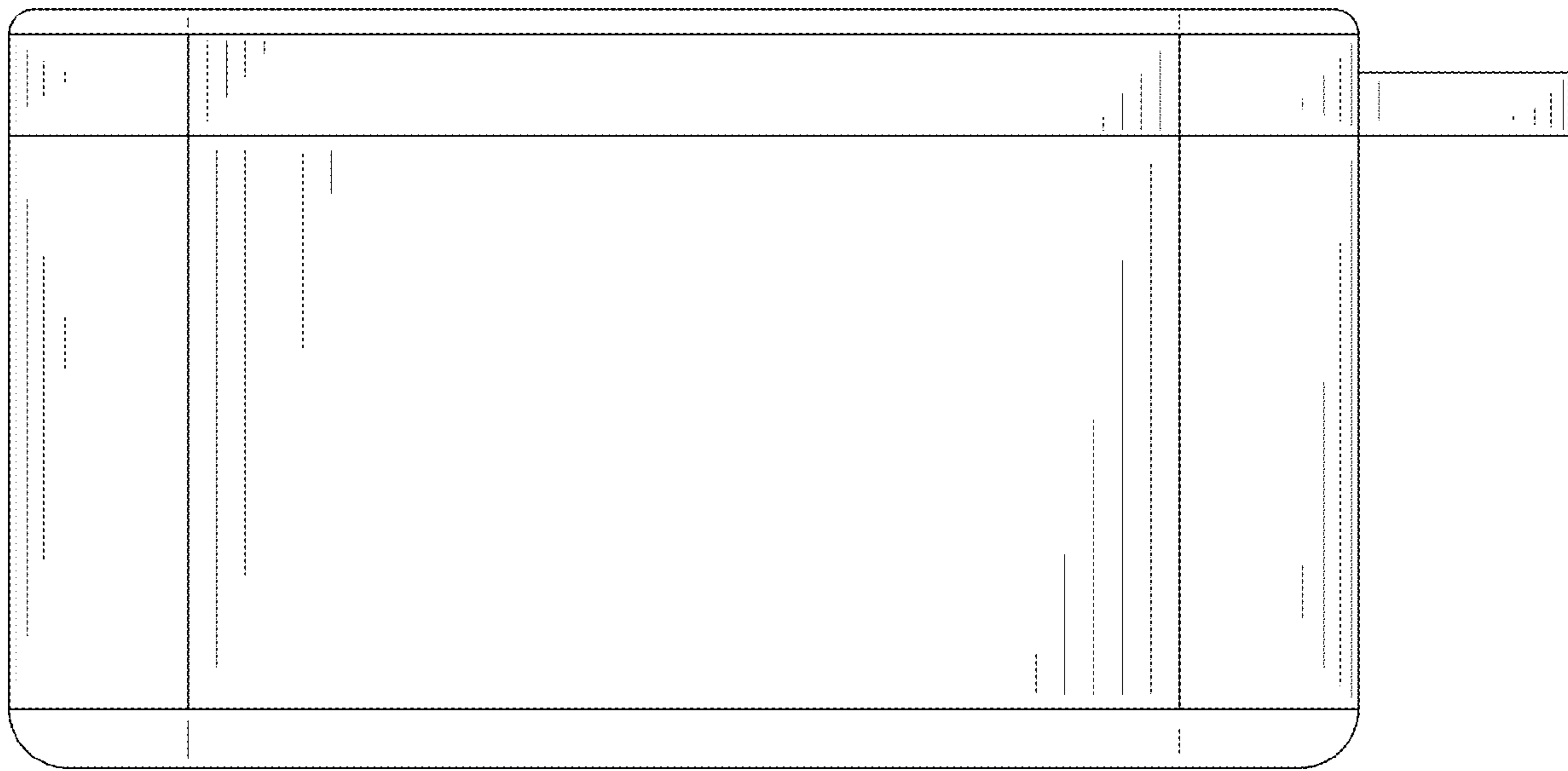


FIG. 5

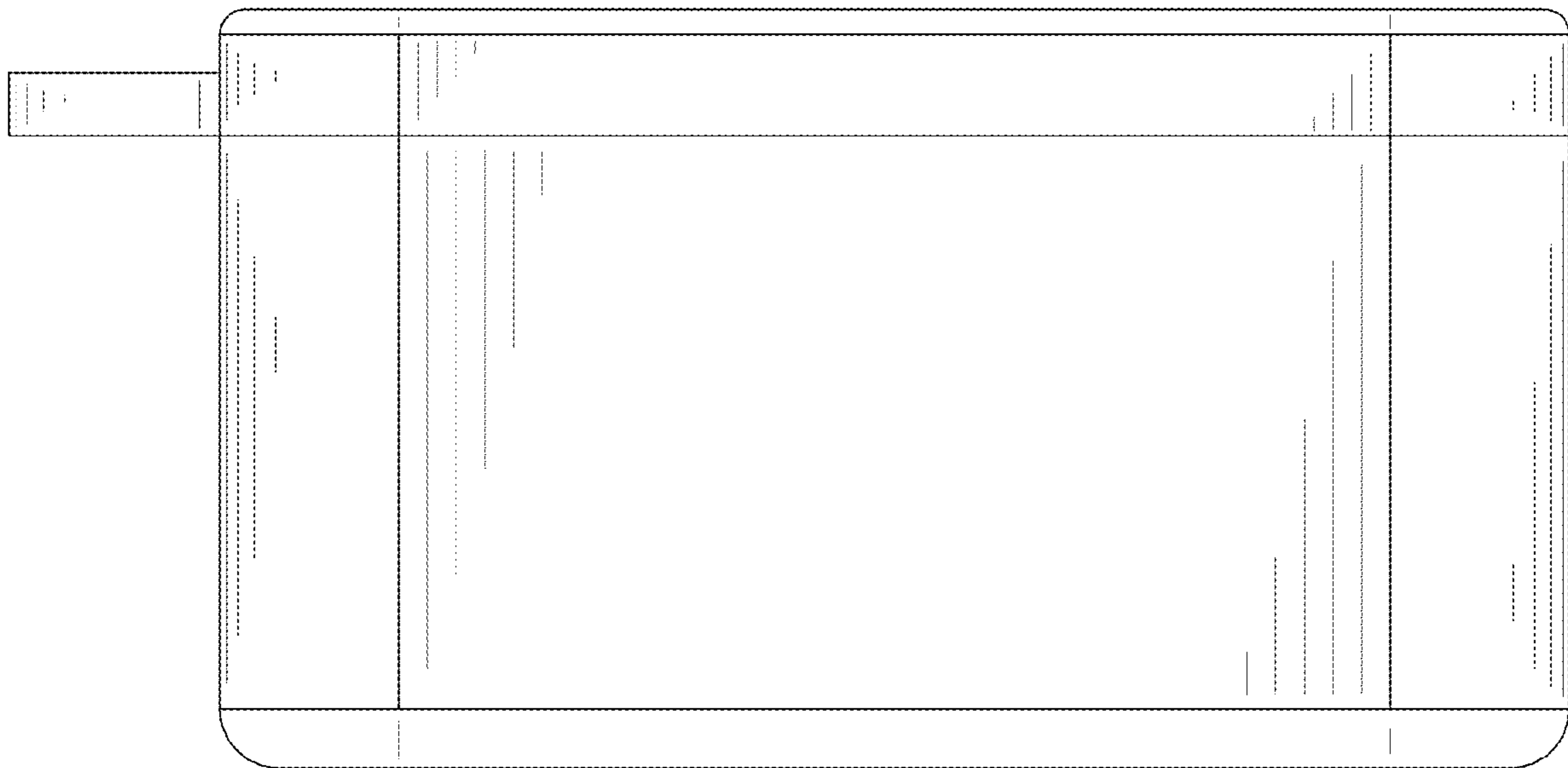


FIG. 6

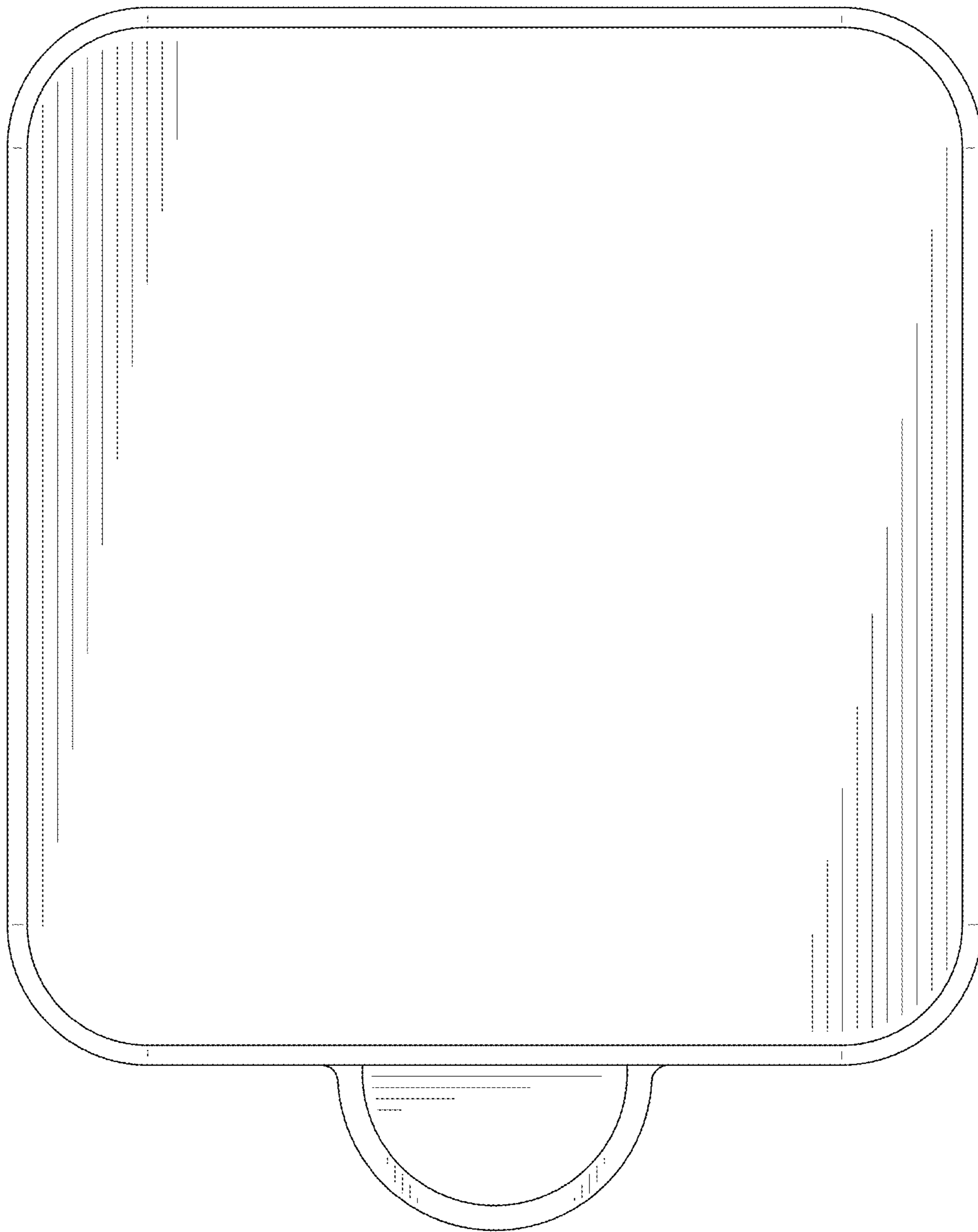


FIG. 7

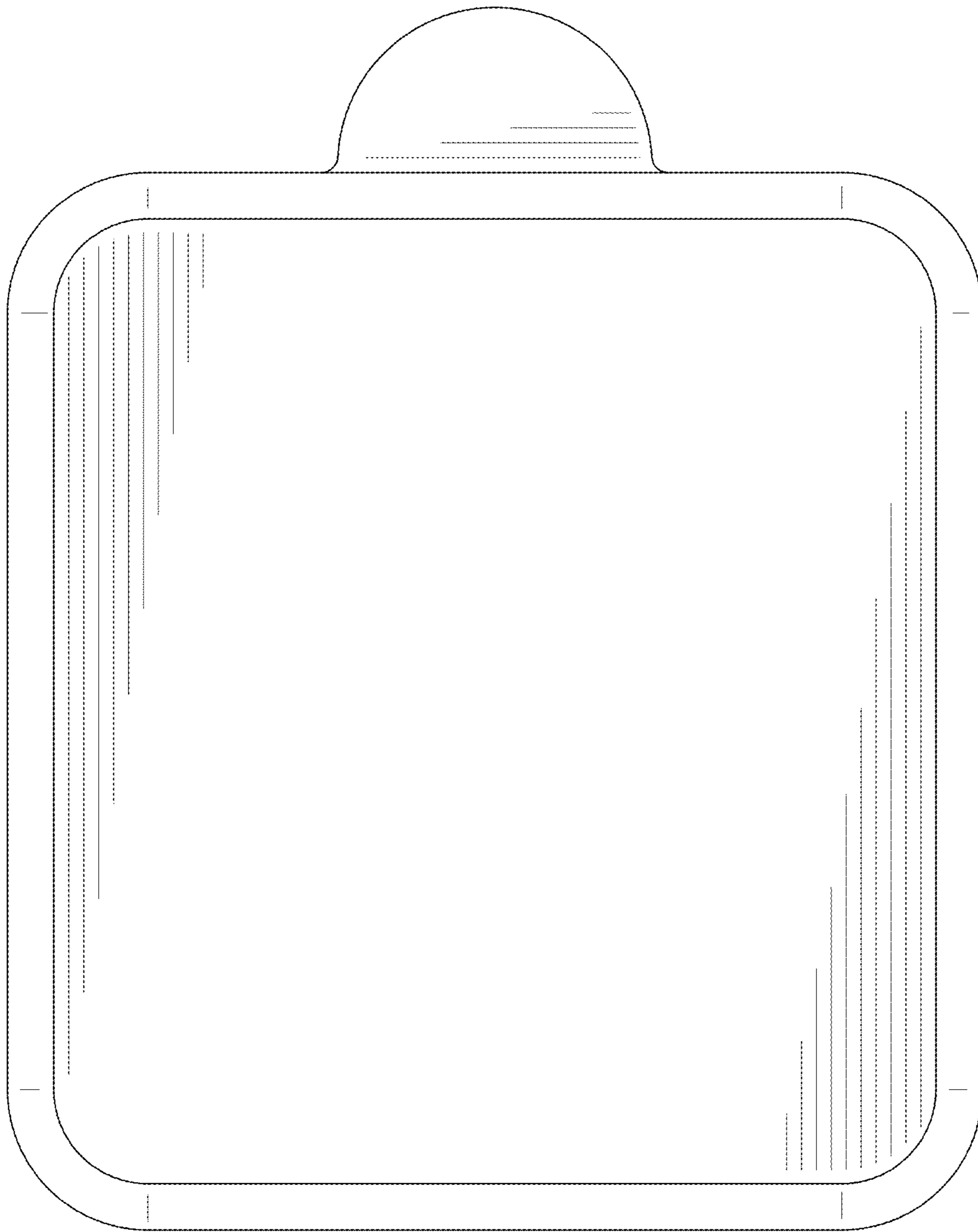


FIG. 8

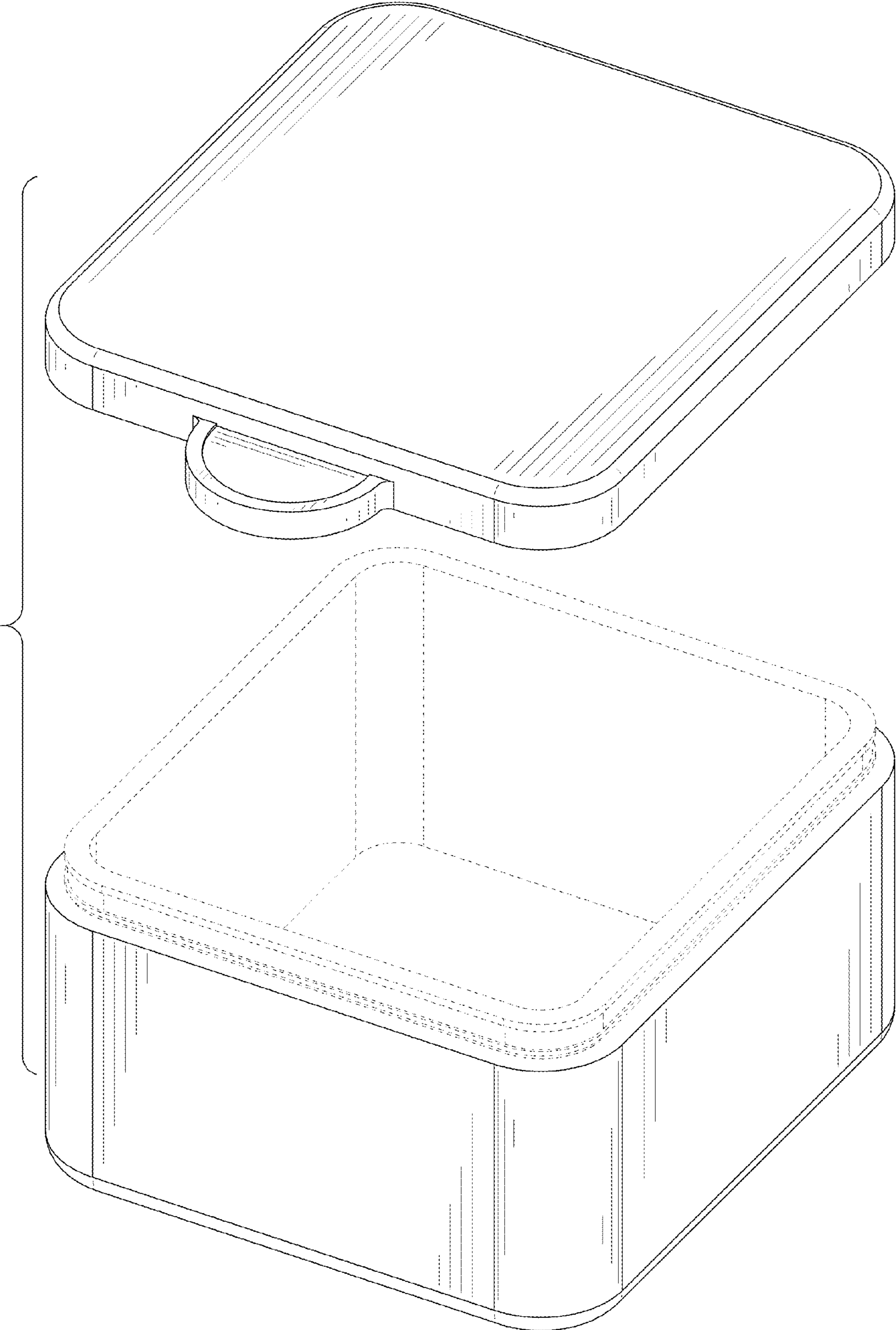


FIG. 9