



US00D980061S

(12) **United States Design Patent**
Zhong

(10) **Patent No.:** **US D980,061 S**
(45) **Date of Patent:** **** Mar. 7, 2023**

(54) **COMBINED FOOD BAG AND WAX PAPER STORAGE BOX**

(71) Applicant: **Peng Zhong**, Xuzhou (CN)

(72) Inventor: **Peng Zhong**, Xuzhou (CN)

(**) Term: **15 Years**

(21) Appl. No.: **29/837,545**

(22) Filed: **May 6, 2022**

(51) **LOC (14) Cl.** **09-03**

(52) **U.S. Cl.**

USPC **D9/432; D6/520**

(58) **Field of Classification Search**

USPC D9/414–420, 421–434, 442, 445, 456,
D9/542, 563, 600, 614–624, 707, 708,
D9/711, 737, 754, 759; D3/273, 276,
D3/277, 280, 282, 283, 304, 309–313;
D7/601, 602, 624.2, 709, 637–641;
D6/515, 516, 518, 520, 523

CPC B65D 5/00; B65D 5/001; B65D 5/0027;
B65D 5/0254; B65D 5/18; B65D 5/38;
B65D 5/40; B65D 5/2033; B65D
5/48024; B65D 5/6605; B65D 1/22;
B65D 1/24; B65D 1/34; B65B 5/06

See application file for complete search history.

(56) **References Cited**

U.S. PATENT DOCUMENTS

D256,480 S *	8/1980	Wright	D19/75
D265,551 S *	7/1982	Colby	D9/418
D280,976 S *	10/1985	Diamond	D9/456
D369,469 S *	5/1996	Gregory	D9/761
D372,422 S *	8/1996	Anderson	D9/737
D380,380 S *	7/1997	Quinton	D9/737
5,738,425 A *	4/1998	Rosenberg	A47B 88/994 312/348.3
D398,527 S *	9/1998	Maceachern	D9/420
D419,772 S *	2/2000	Williams	D3/307
D512,279 S *	12/2005	Berger	D7/637

D568,765 S *	5/2008	Miles	D9/737
D627,931 S *	11/2010	Barresi	D28/83
D647,340 S	10/2011	Stephens		
D670,517 S	11/2012	Murphy		
D681,986 S *	5/2013	Murphy	D6/515
D683,986 S	6/2013	Murphy		
D746,643 S *	1/2016	Kraemer	D7/637

(Continued)

OTHER PUBLICATIONS

Bamboo Ziplock Bag Storage Organizer for Kitchen Drawer, Food Storage Bag Holders and Dispenser, Suitable for Ziploc, Glad, Gallon, Quart, Sandwich & Snack Variety Size Bag. Online, published date Apr. 19, 2022. Retrieved on Sep. 19, 2022 from URL: https://www.amazon.ca/Ziplock-Organizer-Dispenser-Suitable-Sandwich/dp/B.*

Primary Examiner — Omeed Agilee

(74) *Attorney, Agent, or Firm* — Rumit Ranjit Kanakia

(57) **CLAIM**

The ornamental design for a combined food bag and wax paper storage box, as shown and described.

DESCRIPTION

FIG. 1 is a perspective view of a combined food bag and wax paper storage box in an open configuration showing my new design;

FIG. 2 is a front view thereof;

FIG. 3 is a rear view thereof;

FIG. 4 is a right side view thereof;

FIG. 5 is a left side view thereof;

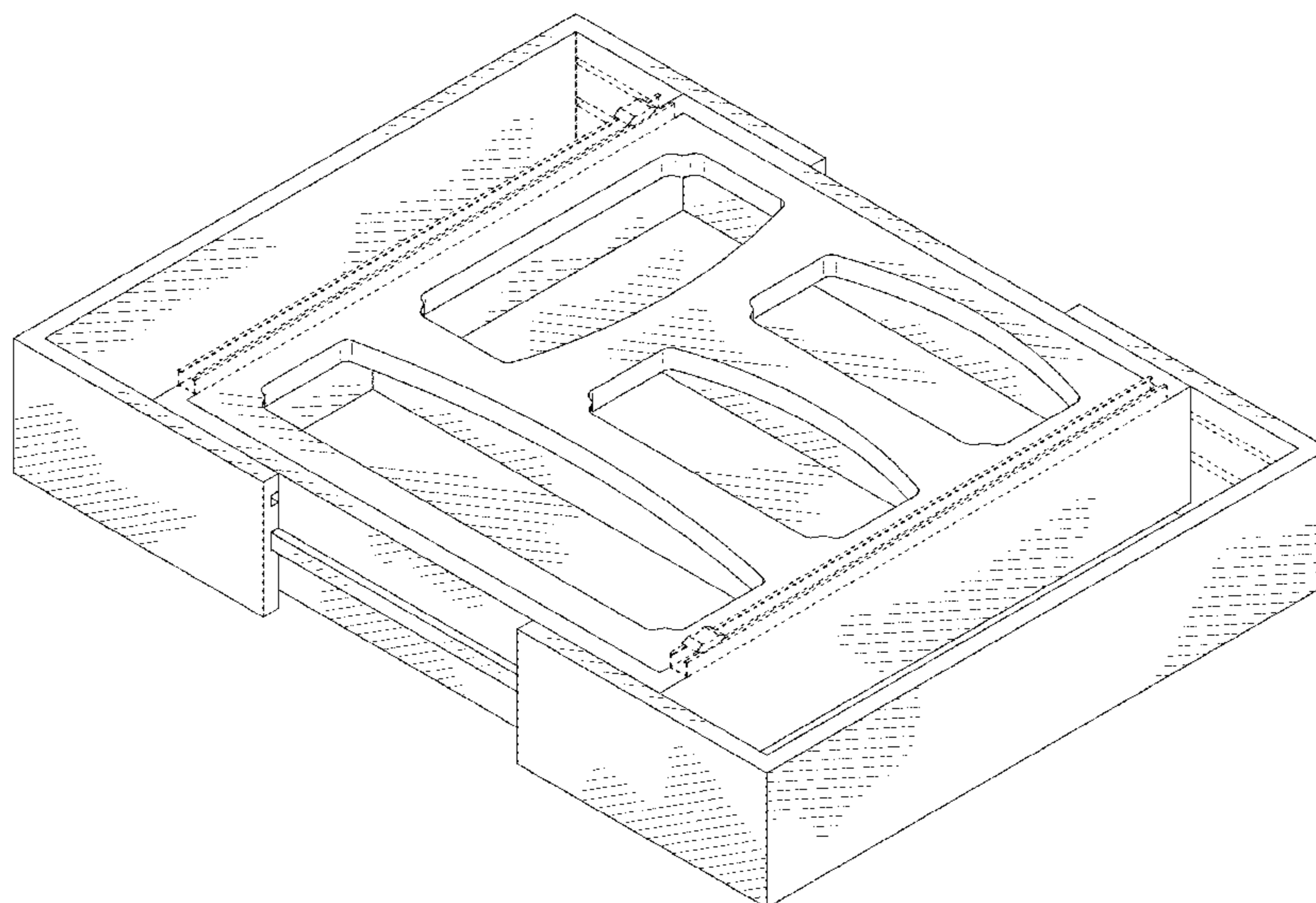
FIG. 6 is a top view thereof;

FIG. 7 is a bottom view thereof; and,

FIG. 8 is a perspective view thereof in a closed configuration.

Broken lines in the drawings depict portions of the combined food bag and wax paper storage box that form no part of the claimed design.

1 Claim, 6 Drawing Sheets



(56)

References Cited

U.S. PATENT DOCUMENTS

D776,521 S	1/2017	Hardy et al.	
D787,342 S	5/2017	Romito	
D829,566 S *	10/2018	Safdie	D9/418
D886,487 S	6/2020	Sukyias et al.	
D886,543 S *	6/2020	Repko	D7/637
D886,544 S *	6/2020	Repko	D7/637
D898,527 S *	10/2020	Repko	D7/637
D908,436 S *	1/2021	Lu	D7/553.2
D948,335 S *	4/2022	Safdie	D9/432
D952,465 S *	5/2022	Sill	D9/456

* cited by examiner

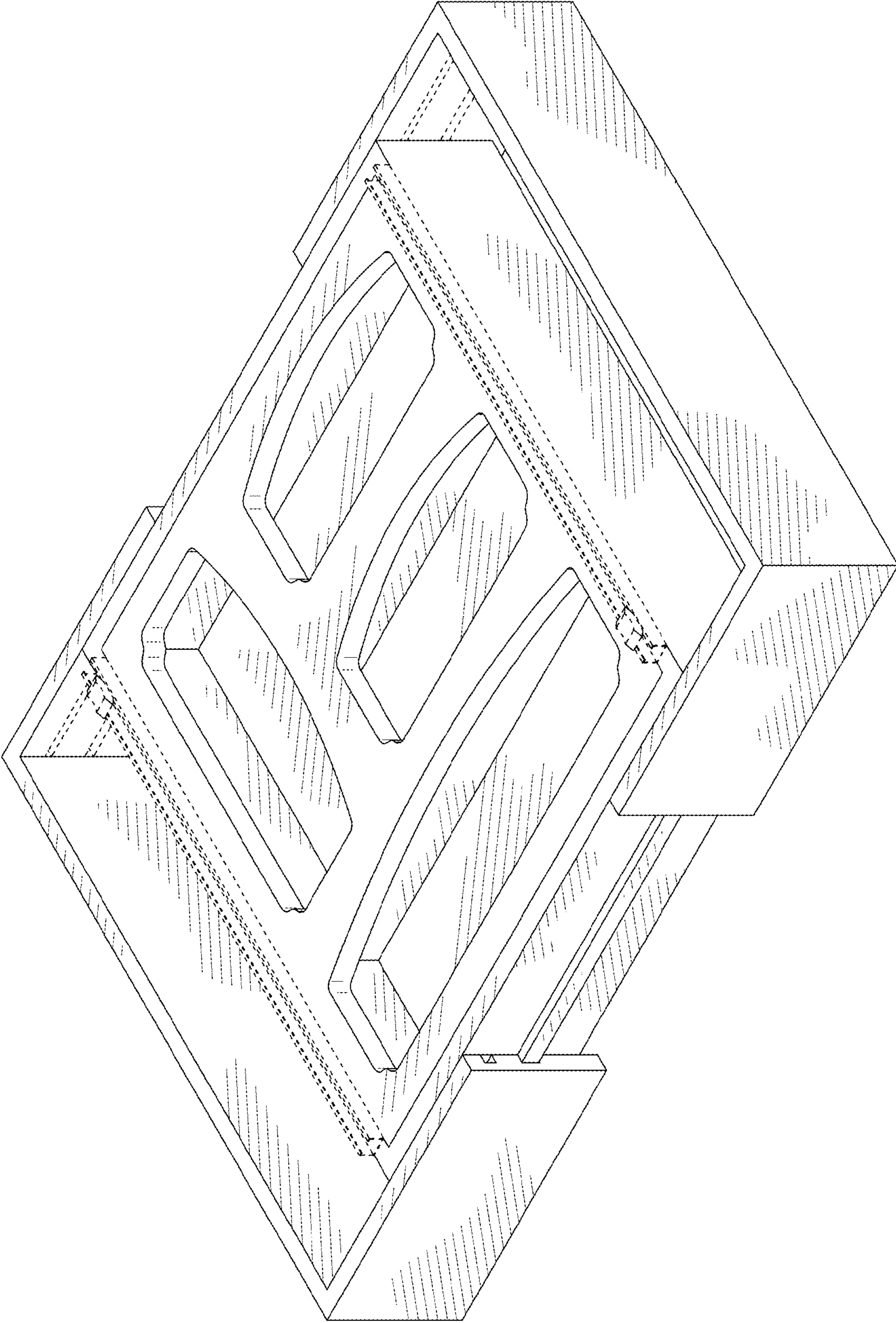


FIG. 1

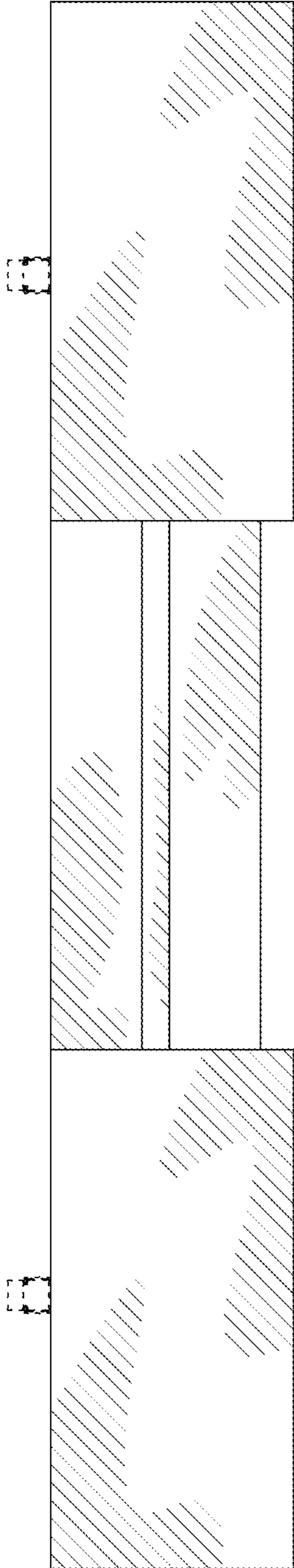


FIG. 2

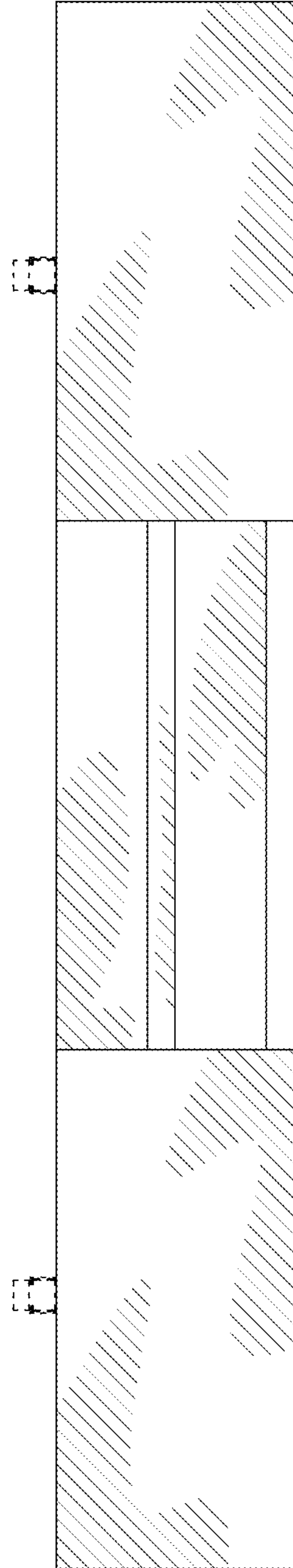


FIG. 3

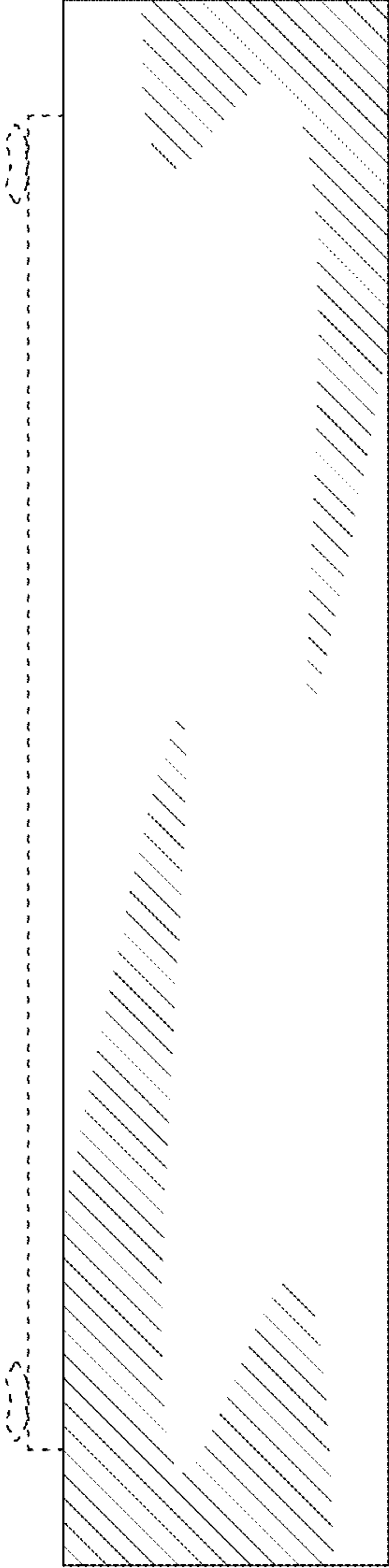


FIG. 4

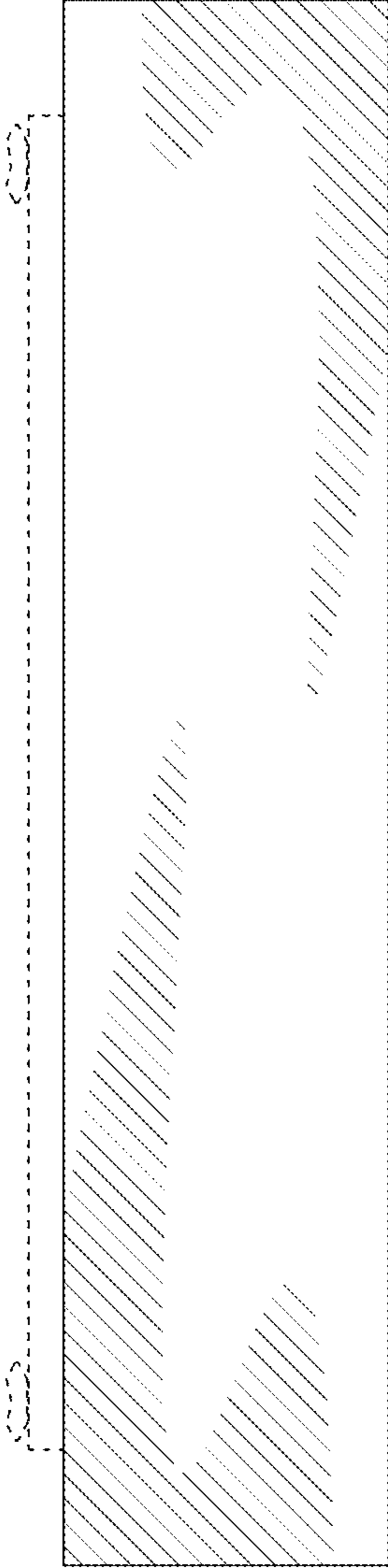


FIG. 5

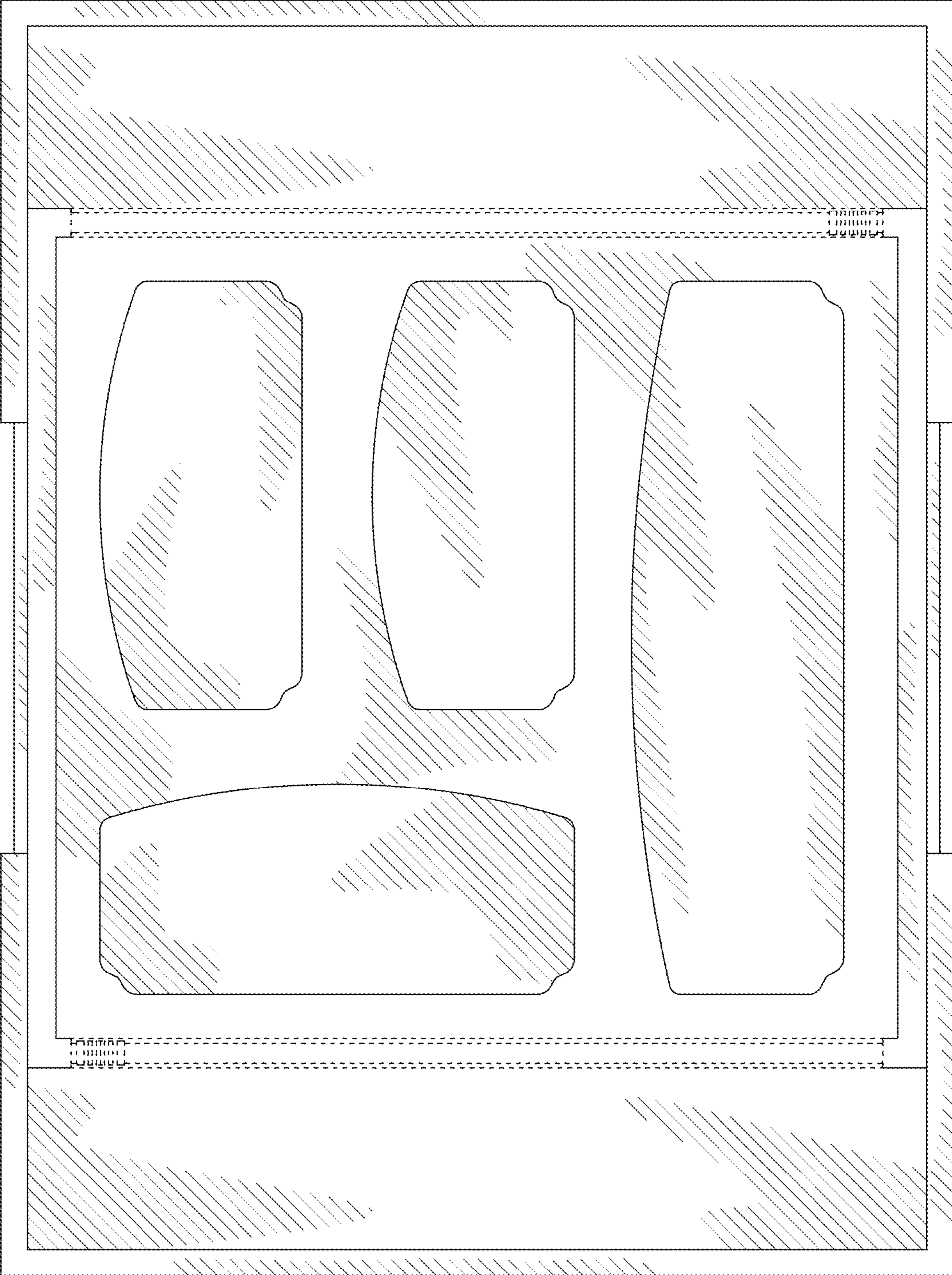


FIG. 6

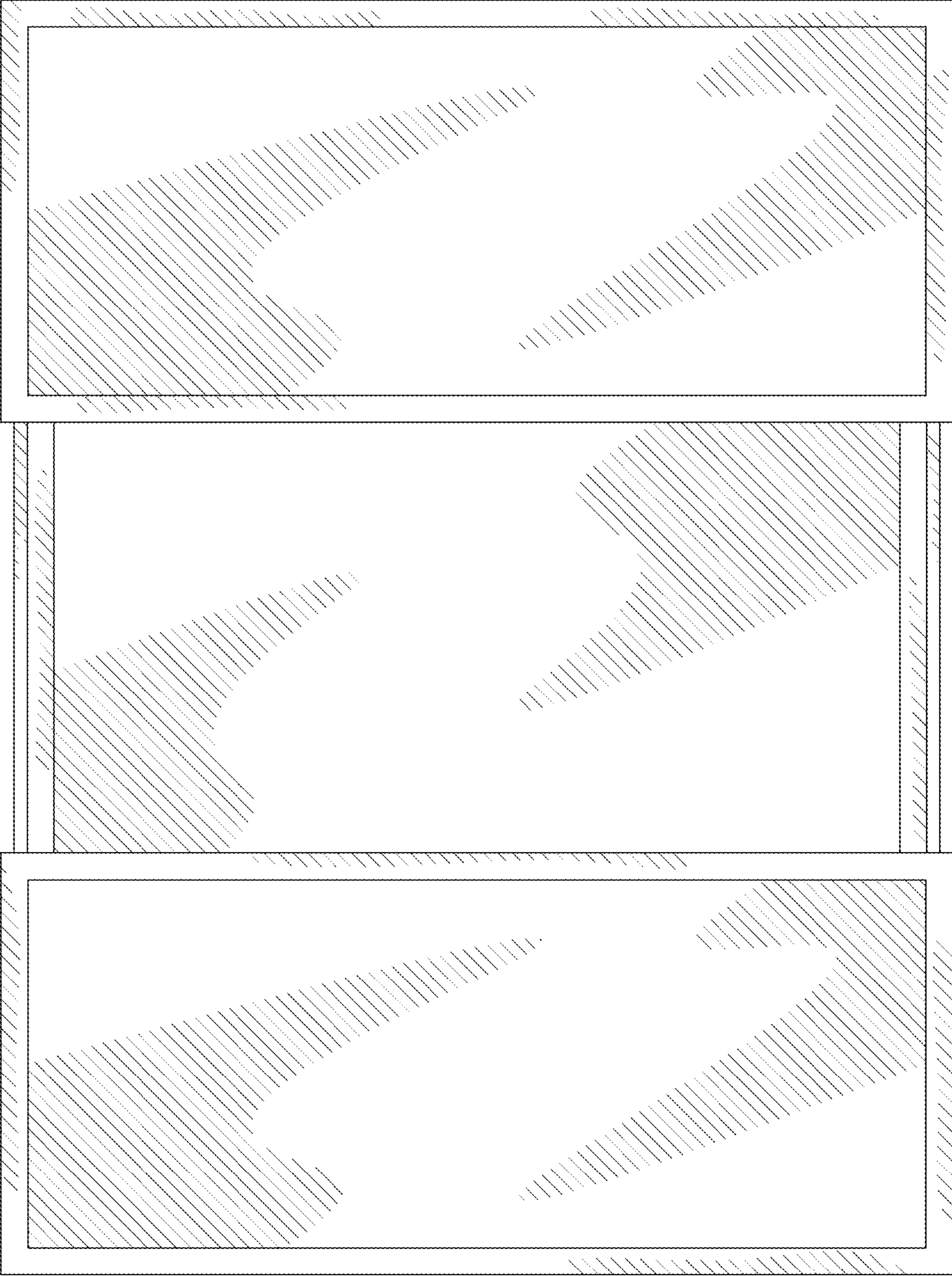


FIG. 7

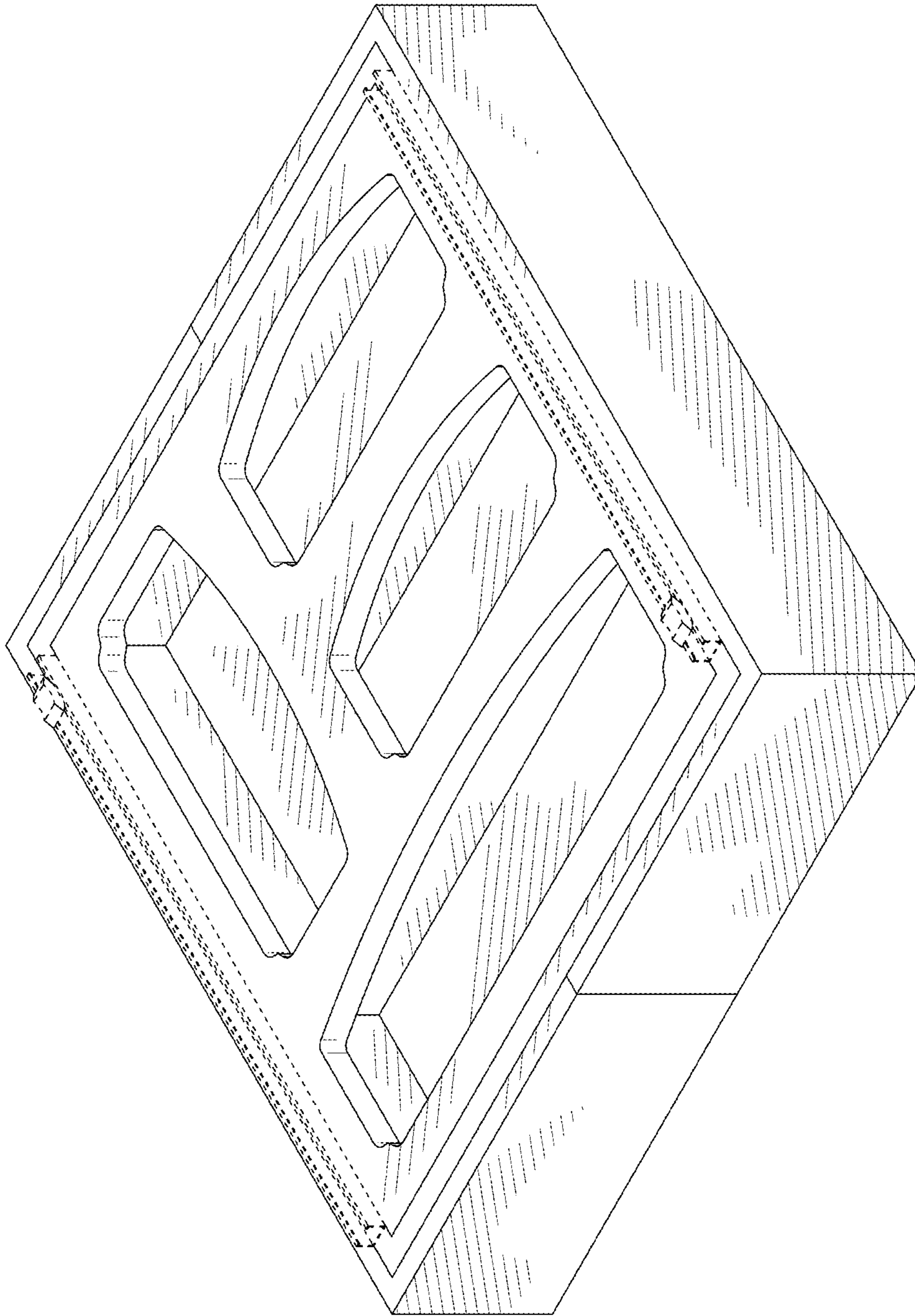


FIG. 8