



US00D980059S

(12) **United States Design Patent**
Grandadam

(10) **Patent No.:** **US D980,059 S**
(45) **Date of Patent:** **** Mar. 7, 2023**

(54) **FACE SHAPED PACKAGING**

FOREIGN PATENT DOCUMENTS

(71) Applicant: **Cody Grandadam**, Peru, IL (US)

JP D1318614 * 4/2007

(72) Inventor: **Cody Grandadam**, Peru, IL (US)

OTHER PUBLICATIONS

(73) Assignee: **Promier Products, Inc.**, Peru, IL (US)

Plastic Face Mask Form—E11800H,Natural White,24×26 In by Educational Insights Store Online, published date Jul. 26, 2010 from URL:https://www.amazon.com/Educational-Insights-Plastic-Face-Mask/dp/B0044S91IG/ref=asc_df_B0044S91IG/?tag=hyprod-20&linkCode=df0&hvadid=216517973405&hvpos (Year: 2010).*

(**) Term: **15 Years**

* cited by examiner

(21) Appl. No.: **29/755,798**

(22) Filed: **Oct. 22, 2020**

(51) **LOC (14) Cl.** **09-03**

Primary Examiner — Jae Liang

(52) **U.S. Cl.**

Assistant Examiner — Royner Mendoza

USPC **D9/425**; D9/625

(74) *Attorney, Agent, or Firm* — Justin Lampel

(58) **Field of Classification Search**

(57) **CLAIM**

USPC D9/425, 625, 626, 627, 628; D11/132, D11/133, 134, 135, 157; D28/79, 80

The ornamental design for a face shaped packaging, as shown and described.

CPC B65D 2543/00251; B65D 2543/00805; B65D 85/34; B65D 75/54; B65D 81/025; B65D 25/02; B65D 25/04; B65D 25/08; G09F 7/04; G09F 7/06; G09F 7/08

DESCRIPTION

See application file for complete search history.

FIG. 1 is a perspective view of a face shaped packaging showing the claimed design;
FIG. 2 is a bottom perspective view thereof;
FIG. 3 is a front view thereof;
FIG. 4 is a back view thereof;
FIG. 5 is a side view thereof;
FIG. 6 is a side view thereof;
FIG. 7 is a bottom view thereof;
FIG. 8 is a top view thereof; and,
FIG. 9 is a perspective view thereof with the headband portion removed for ease of illustration.

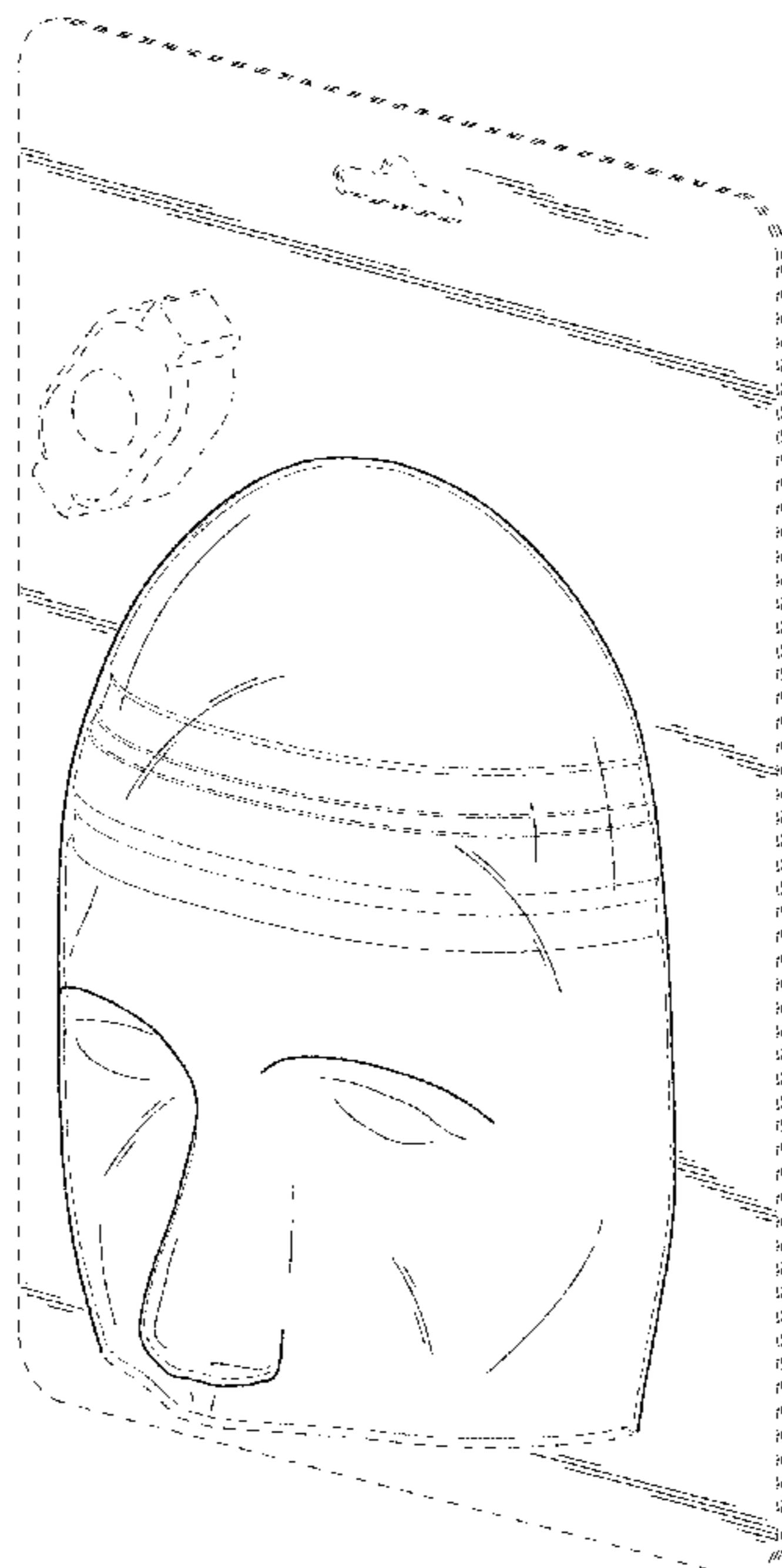
The broken lines in the drawings depict portions of the face shaped packaging and form no part of the claimed design.

(56) **References Cited**

U.S. PATENT DOCUMENTS

D112,688 S	*	12/1938	Adams	D9/628
D431,207 S	*	9/2000	Healy	D11/160
D671,420 S	*	11/2012	Hodge	D9/625
D701,772 S	*	4/2014	Ortiz	D9/627
D744,588 S	*	12/2015	Cruickshank	D19/113
D747,926 S	*	1/2016	Mason	D7/517
D779,957 S	*	2/2017	Ouyang	D9/625
D798,144 S	*	9/2017	Ahmadi	D9/426
D802,437 S	*	11/2017	Vincenzi	D9/628
D900,542 S	*	11/2020	Steidl	D7/517

1 Claim, 7 Drawing Sheets



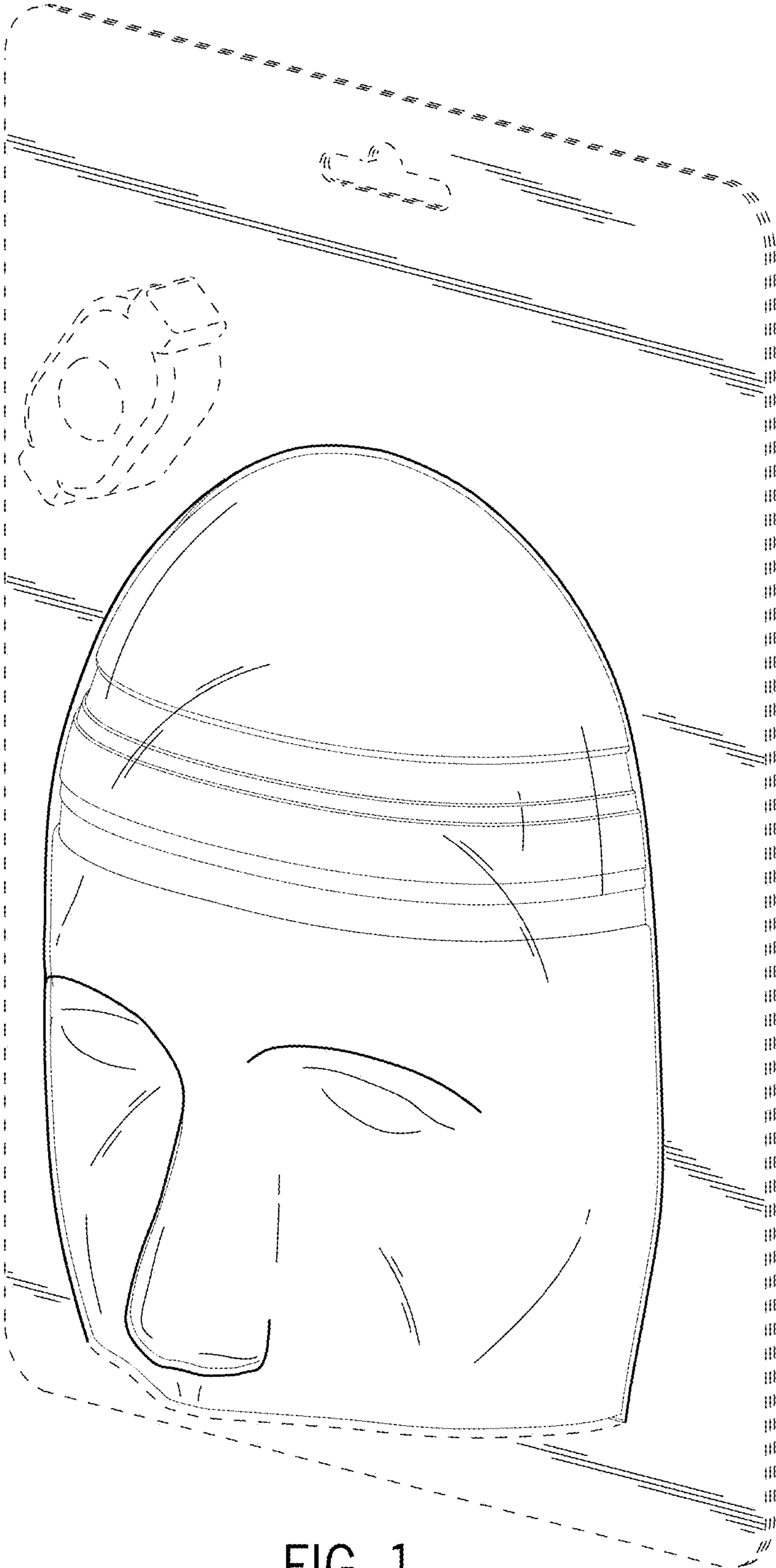


FIG. 1

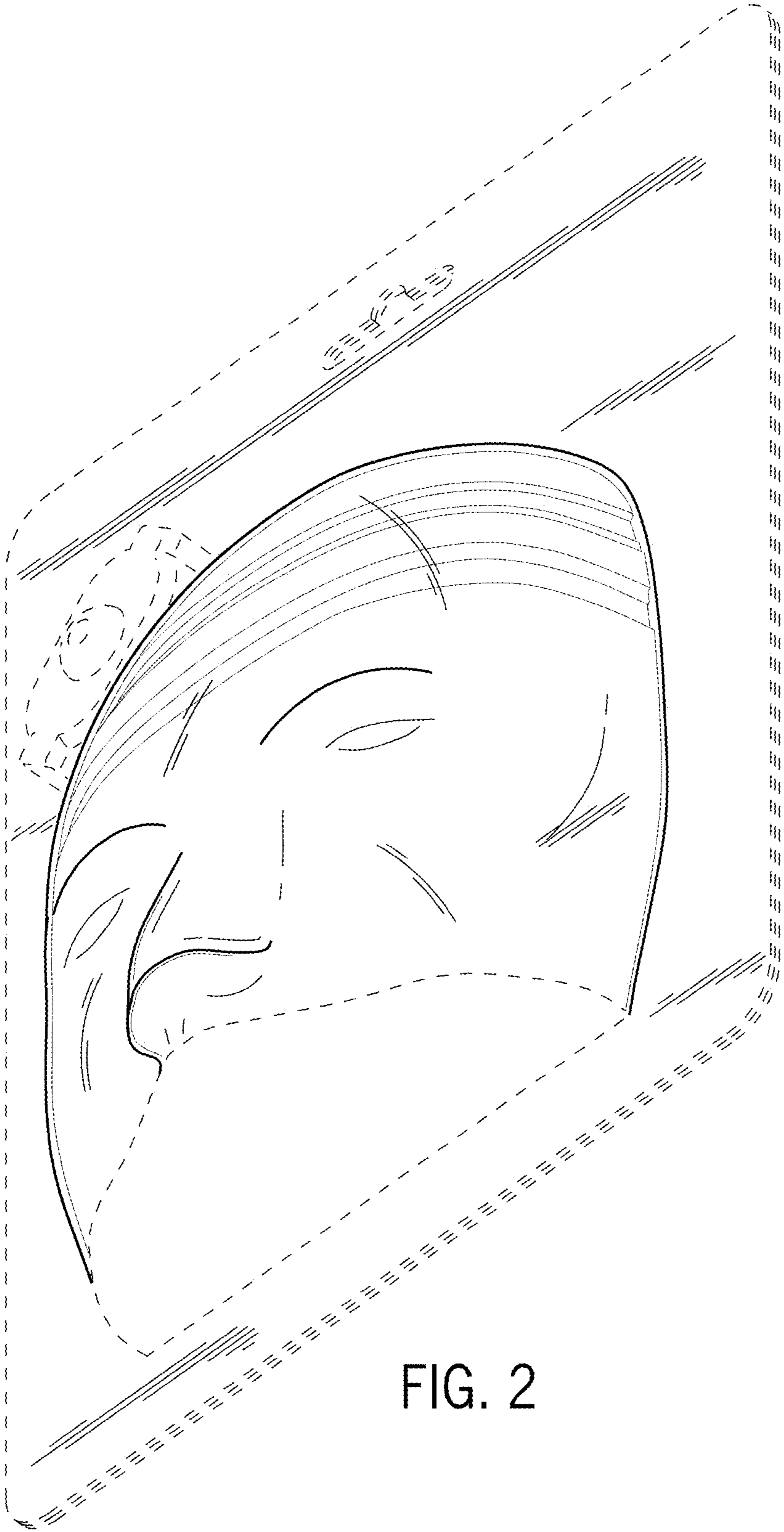


FIG. 2

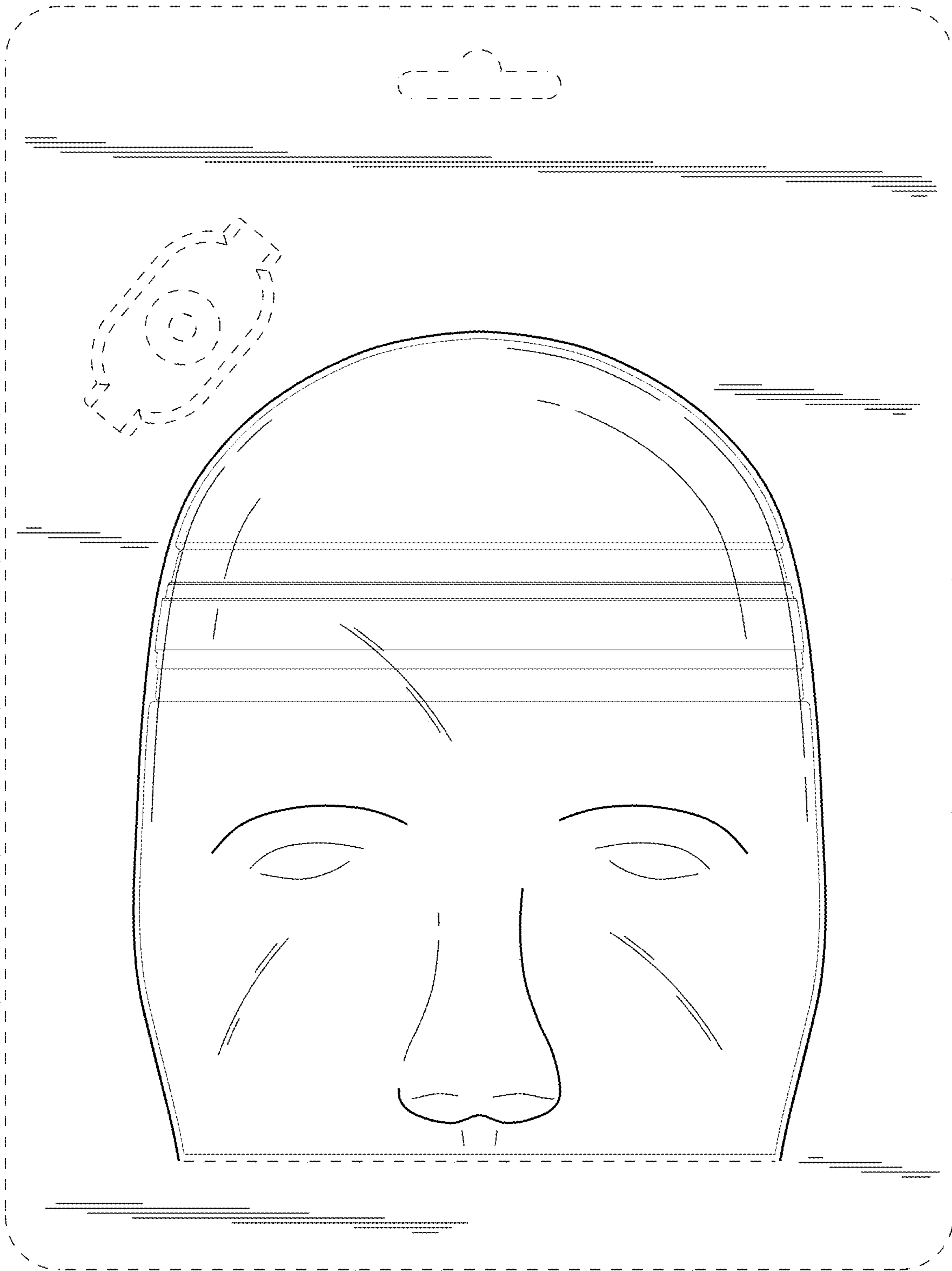


FIG. 3

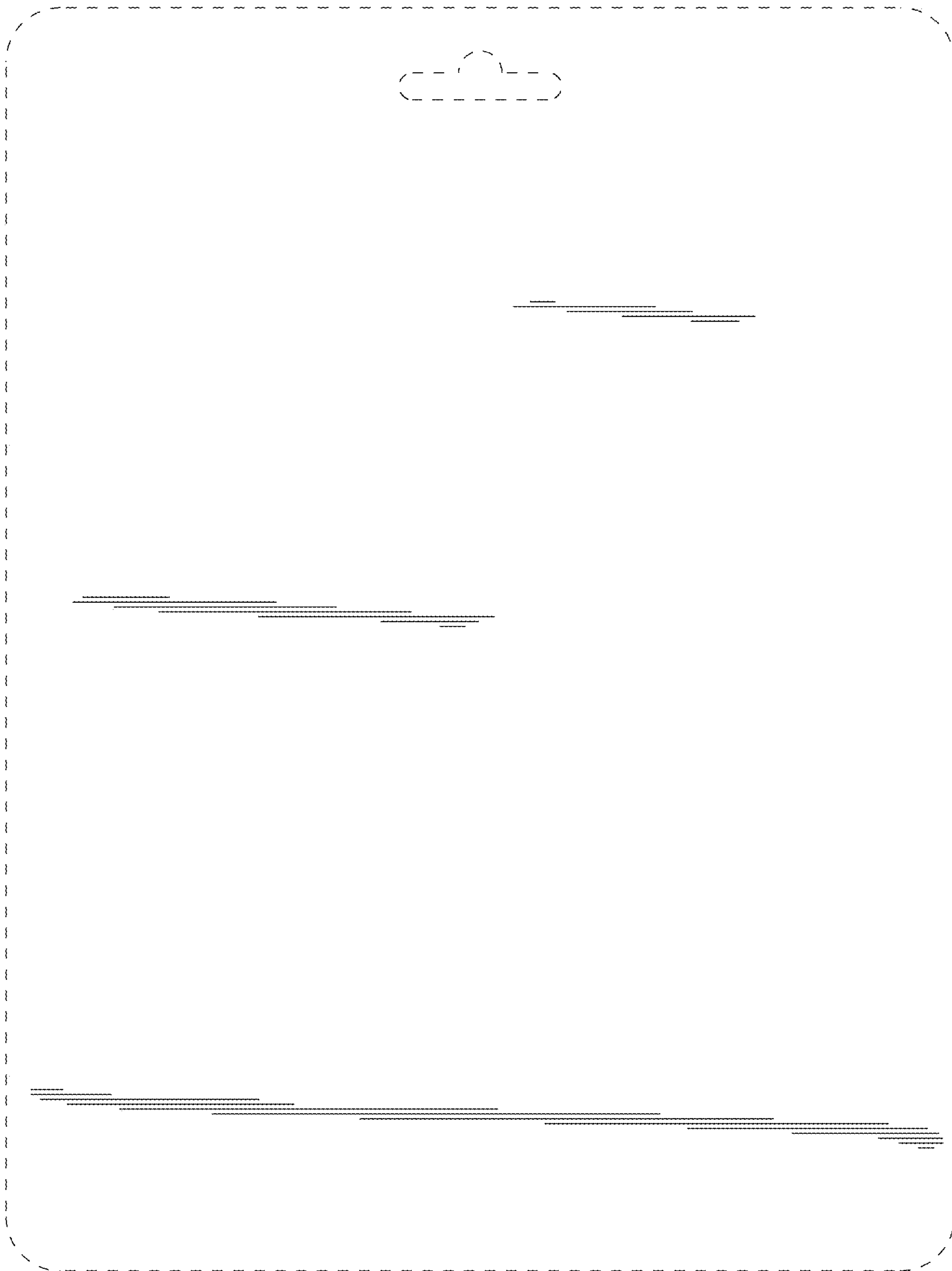


FIG. 4

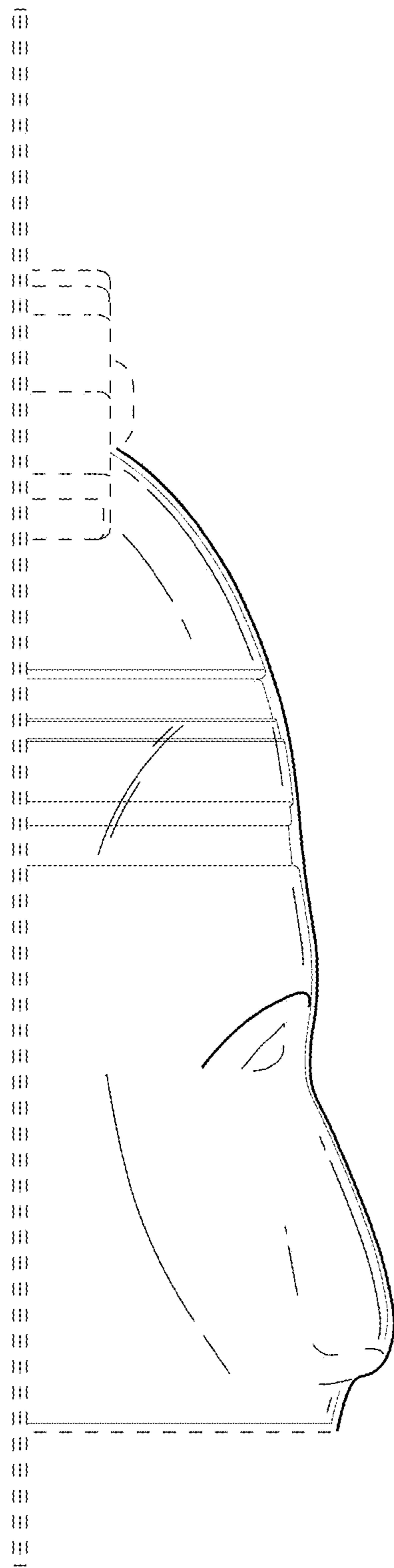


FIG. 5

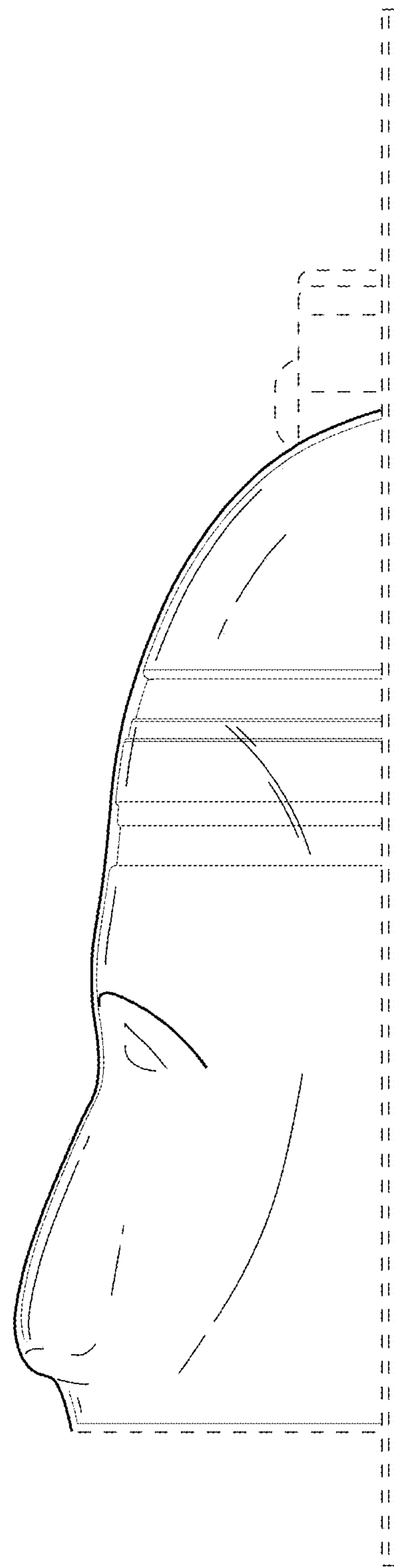


FIG. 6

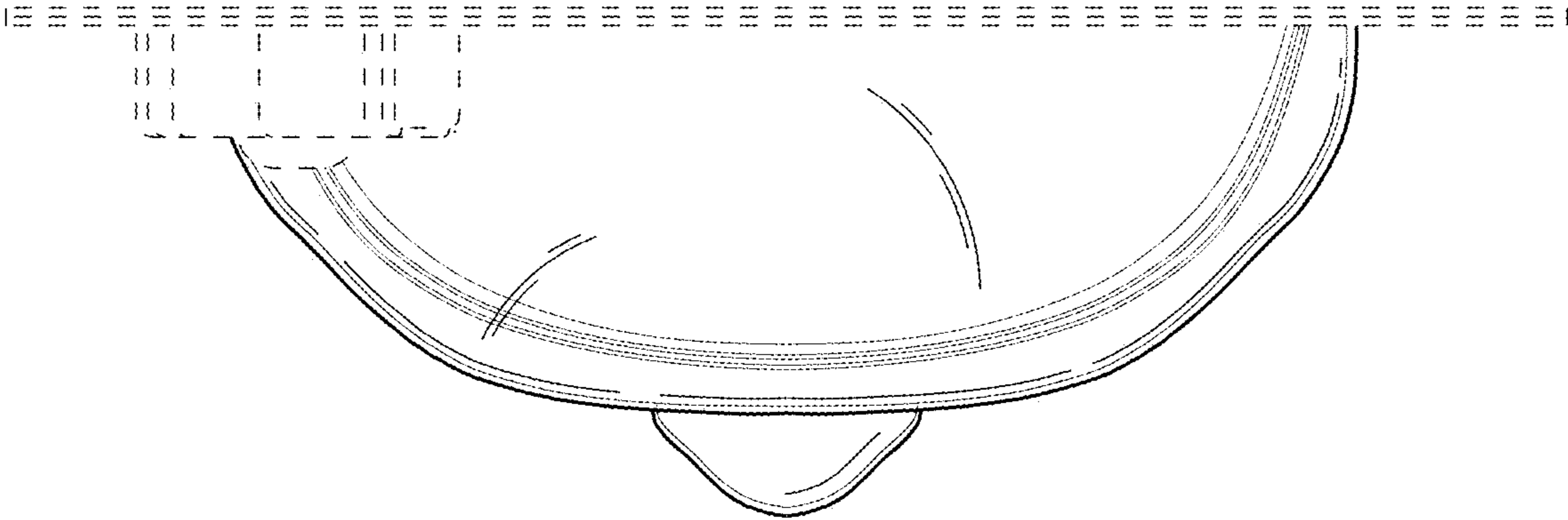


FIG. 7

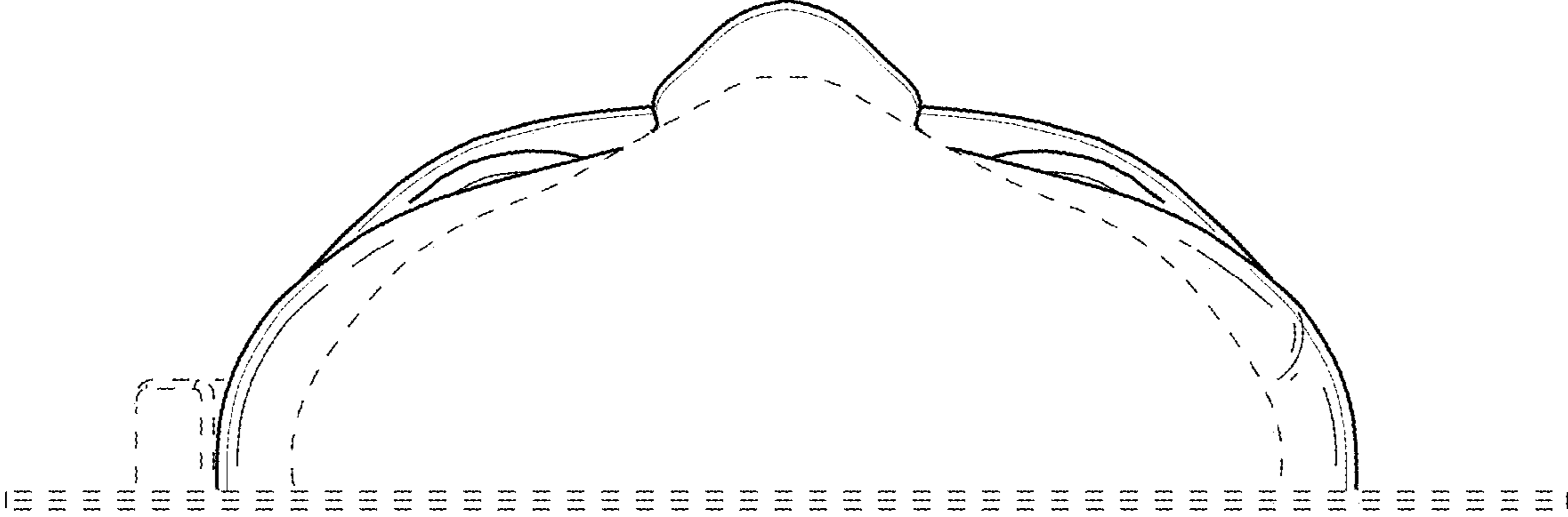


FIG. 8

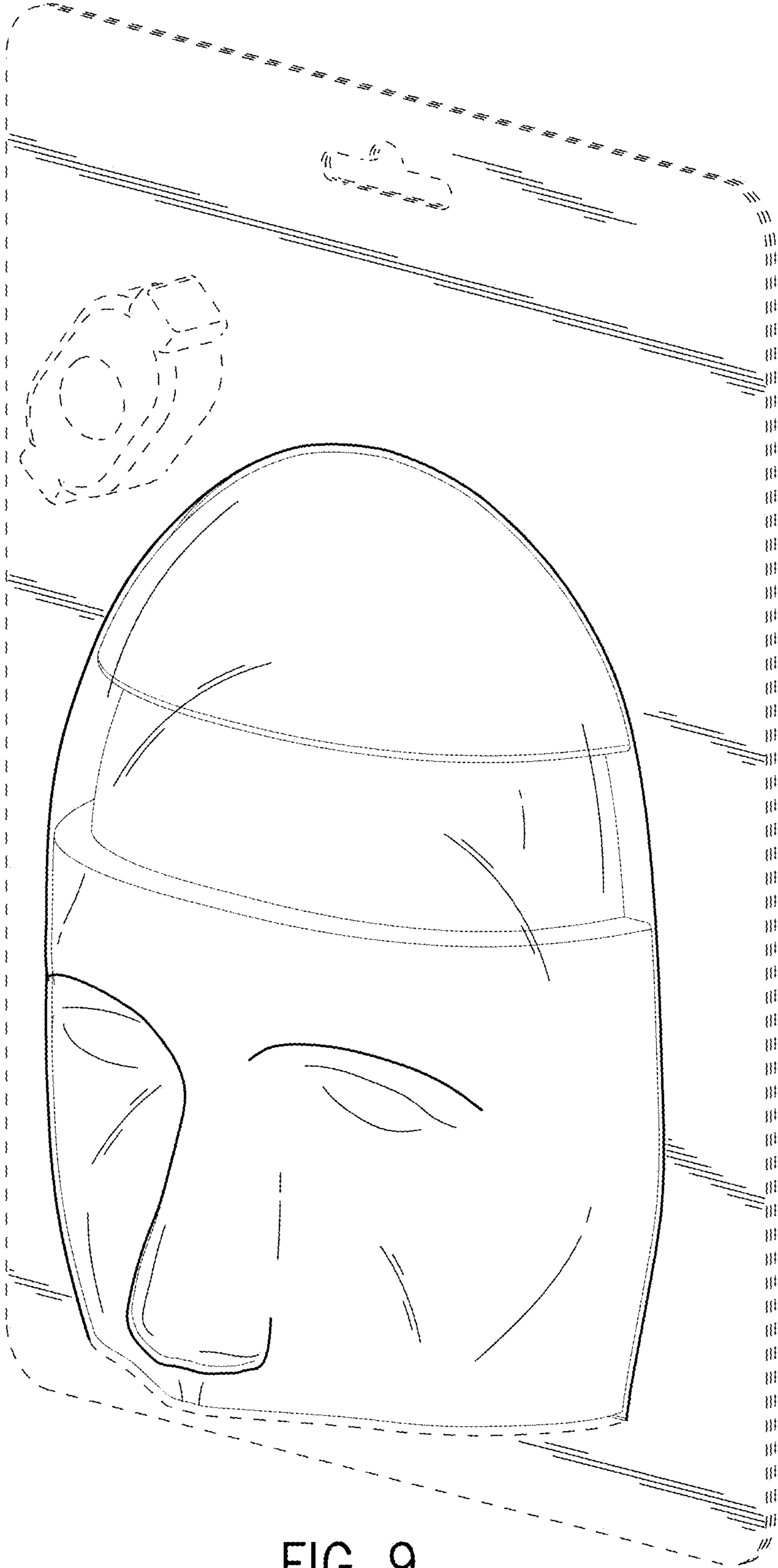


FIG. 9