



US00D980058S

(12) **United States Design Patent**
Saba

(10) **Patent No.:** **US D980,058 S**
(45) **Date of Patent:** **** Mar. 7, 2023**

(54) **BOX**

(71) Applicant: **Level 5 Lifestyle Distributors Ltd,**
Uxbridge (GB)

(72) Inventor: **Hafid Saba,** Gerrards Cross (GB)

(**) Term: **15 Years**

(21) Appl. No.: **29/789,138**

(22) Filed: **Sep. 2, 2021**

(51) **LOC (14) Cl.** **09-03**

(52) **U.S. Cl.**
USPC **D9/418**

(58) **Field of Classification Search**

USPC D3/201, 203.1–203.3, 203.6–203.8, 318,
D3/326, 319; D7/391, 392, 392.1, 703;
D9/414–418, 432, 434–436, 501, 721,
D9/737, 756, 759, 760, 440, 443, 447,
D9/455, 456, 499

CPC B65D 1/36; B65D 2543/0027; B65D
2543/00

See application file for complete search history.

(56) **References Cited**

U.S. PATENT DOCUMENTS

D211,712 S *	7/1968	Martini	D9/756
D227,977 S *	7/1973	Bish	229/87.09
D326,341 S *	5/1992	Frauhiger	D34/1
D387,559 S *	12/1997	Williamson	D3/313
D419,772 S *	2/2000	Williams	D3/307
D451,676 S *	12/2001	Dembicks	D3/313
D648,940 S *	11/2011	Britt	D3/313
D649,775 S *	12/2011	Munch	D3/201
D674,709 S *	1/2013	Akana	D9/737
D800,915 S *	10/2017	Livingston	D24/224
D805,897 S *	12/2017	Schärer	D7/602
D901,327 S *	11/2020	Choi	D11/155
D913,785 S *	3/2021	Kelly	D9/432
D956,491 S *	7/2022	Lai	D7/703
D962,646 S *	9/2022	Zhou	D3/306

OTHER PUBLICATIONS

HobbyLobby. Rectangle Compartment Wood Box. No date specified.
<https://www.hobbylobby.com/Crafts-Hobbies/Wood-Crafting/Unfinished-Wood/Rectangle-Compartment-Wood-Box/p/80819172>
(Year: 0).*

Paper Mart. Slide Open Soap Boxes With Window. No date specified.
https://www.papermart.com/p/slide-open-soap-boxes-window/144009?campaignid=17997223849&matchtype=&keyword=&gclid=EA1a1QobChMI58jczMKz-wlVSOHICH222gmYEAkYAiABEgJgGvD_BwE (Year: 0).*

Alibaba. Branded paper carrier case with die-cut window used for Homemade Strawberry & tomato & raspberry 3 pack jam gift set packaging. No date specified. https://www.alibaba.com/product-detail/Branded-paper-carrier-case-with-die_62477224801.html (Year: 0).*

Etsy. folding disassembled box 12x12x3 cm-4.72"x4.72"x1.18" inch size gift with 4 compartments with window 10 pcs by MysteriousEyesCrafte. Oct. 28, 2022. <https://etsy.me/3TQnarK> (Year: 2022).*

* cited by examiner

Primary Examiner — Darcey E Gottschalk

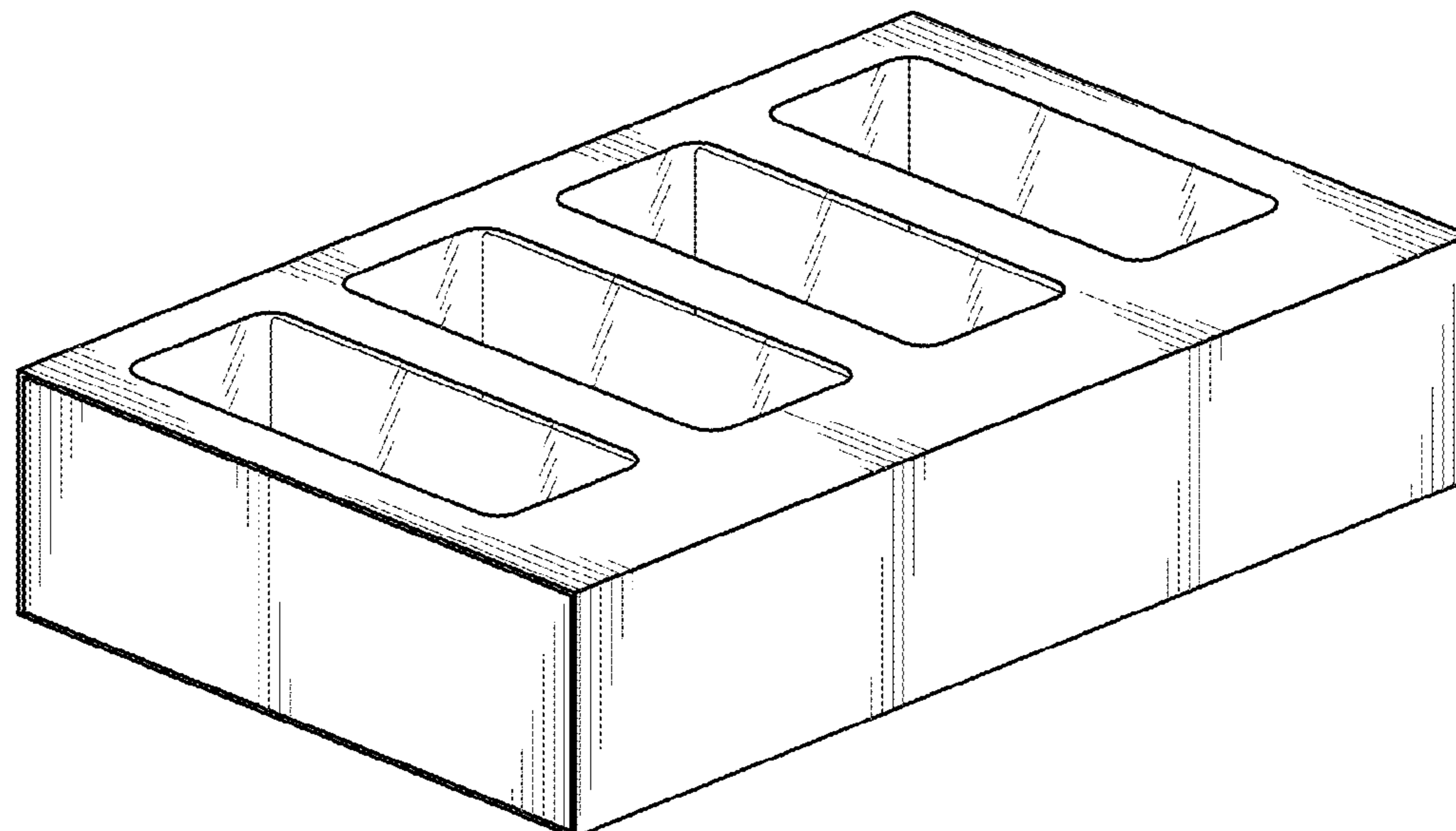
(57) **CLAIM**

The ornamental design for a box, as shown and described.

DESCRIPTION

FIG. 1 is a perspective view from above, to the front and the left side of the new design for a box;
FIG. 2 is a top plan view thereof;
FIG. 3 is a bottom plan view thereof;
FIG. 4 is a front elevation view thereof;
FIG. 5 is a rear elevation view thereof;
FIG. 6 is a right side elevation view thereof;
FIG. 7 is a left side elevation view thereof; and,
FIG. 8 is an exploded perspective view from above, to the front and the left side thereof.

1 Claim, 4 Drawing Sheets



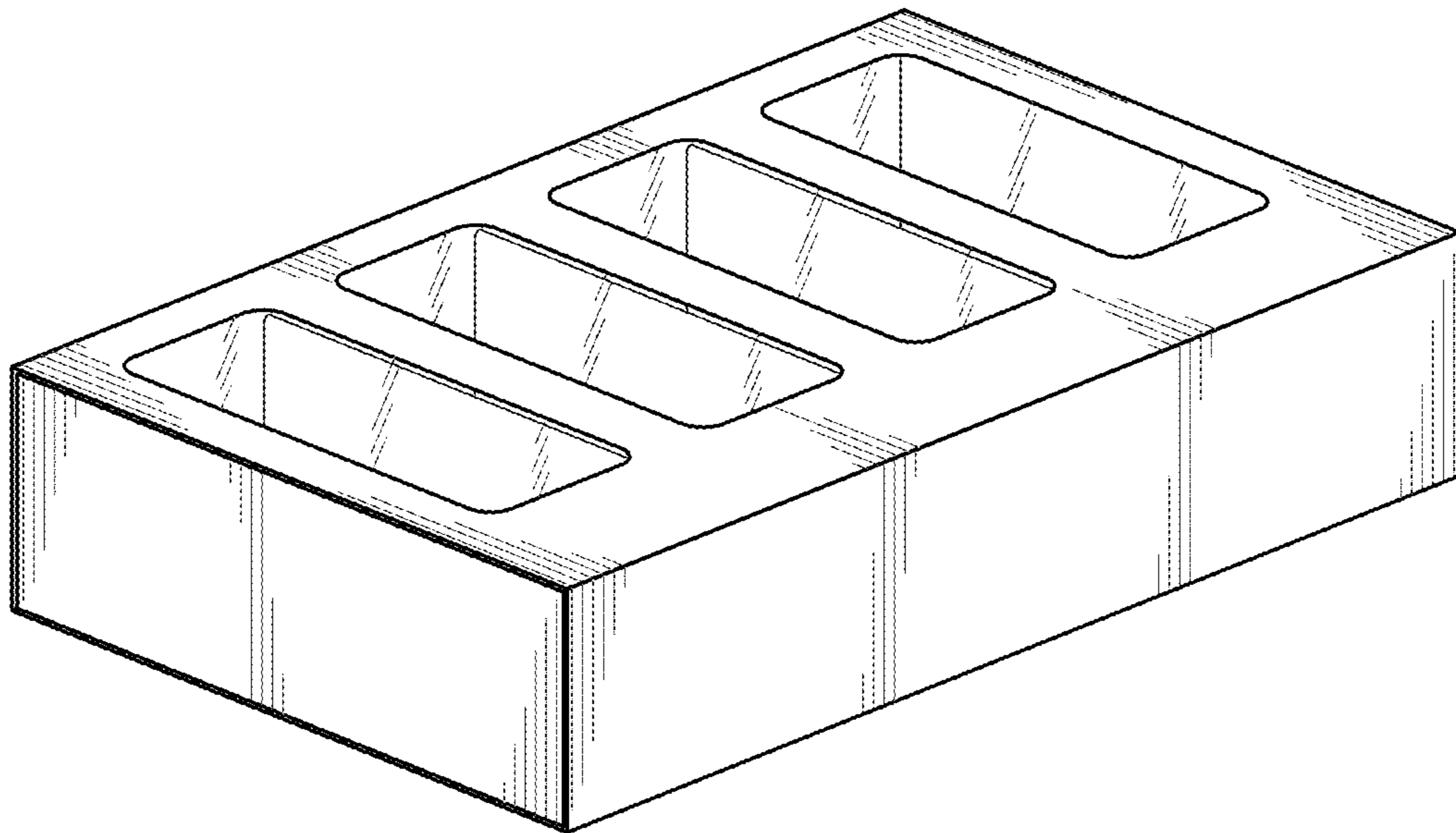


FIG. 1

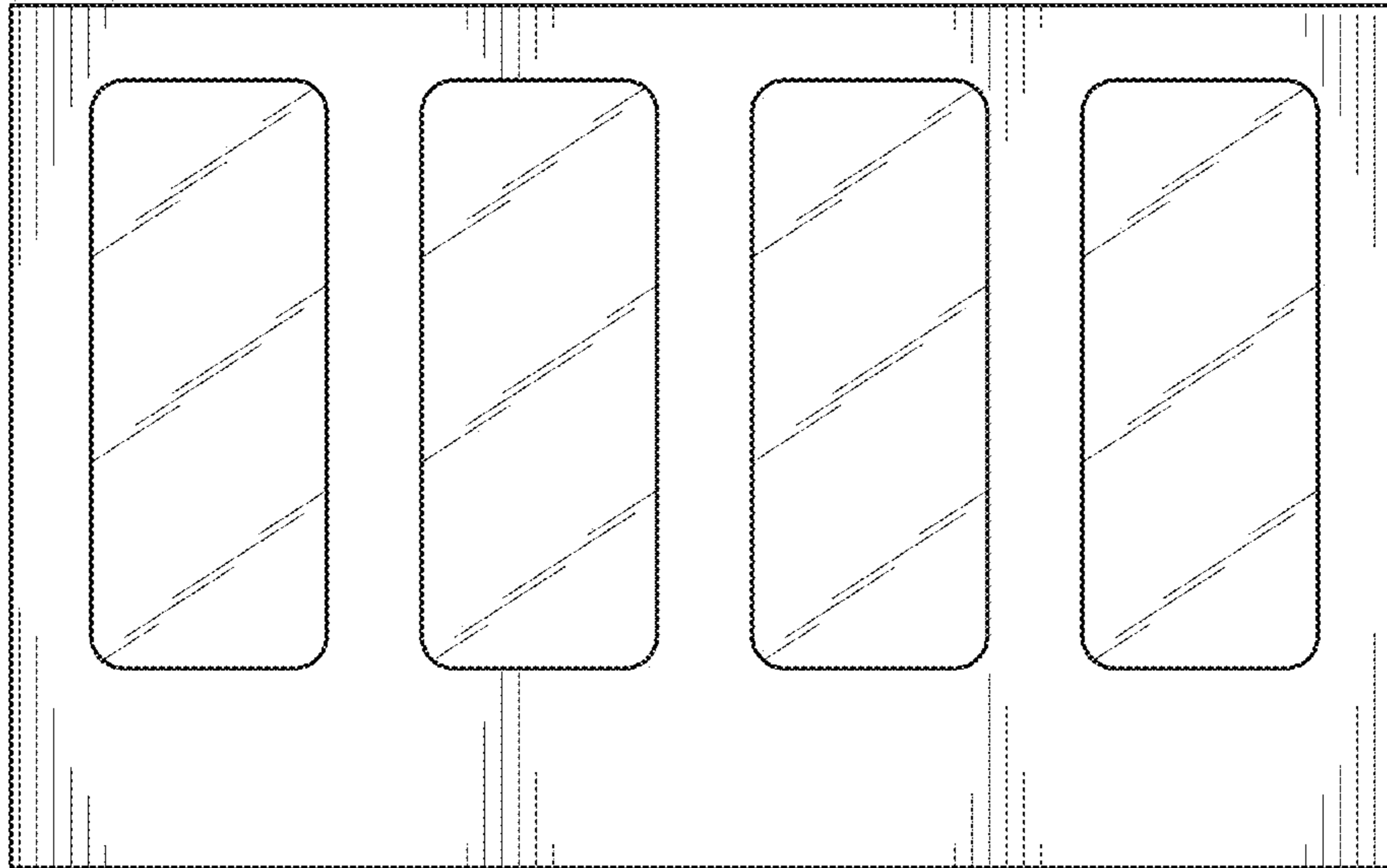


FIG. 2

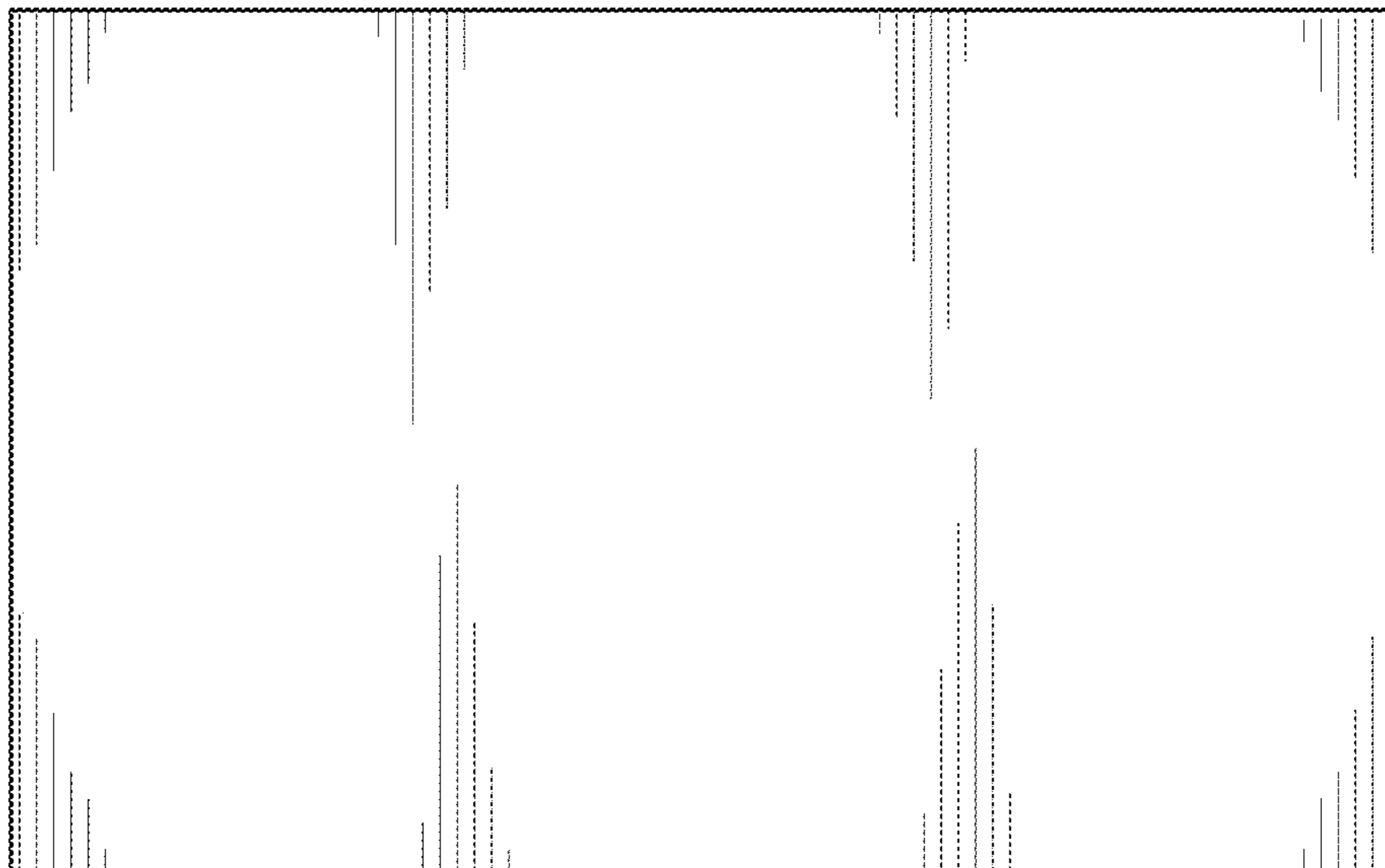


FIG. 3



FIG. 4



FIG. 5

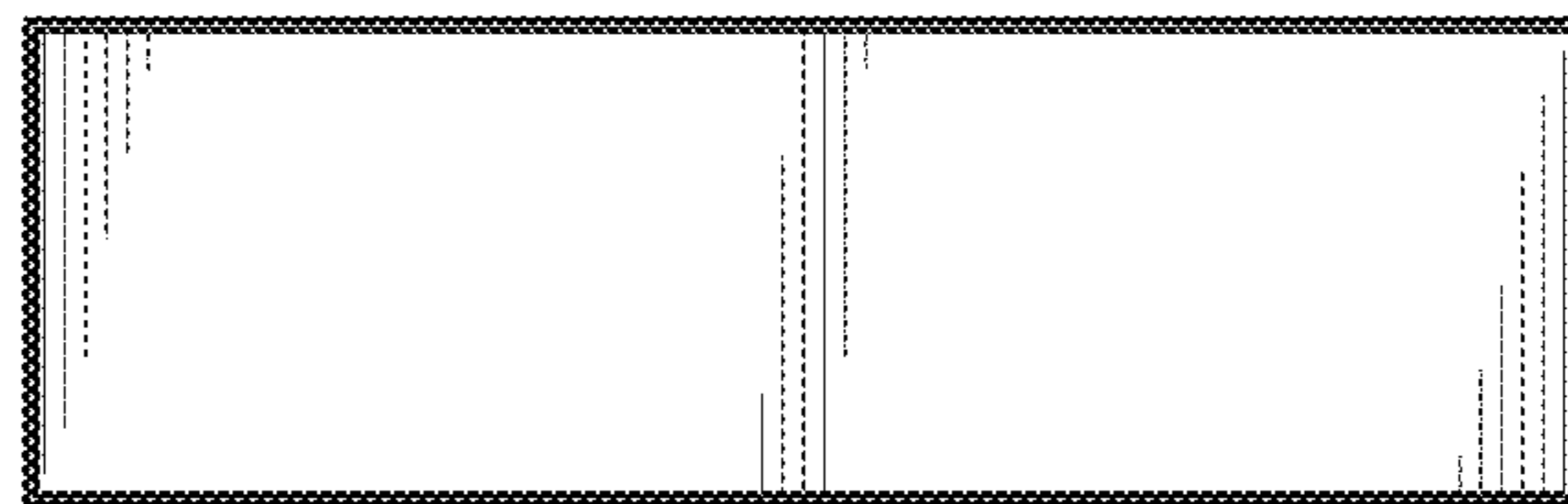


FIG. 6

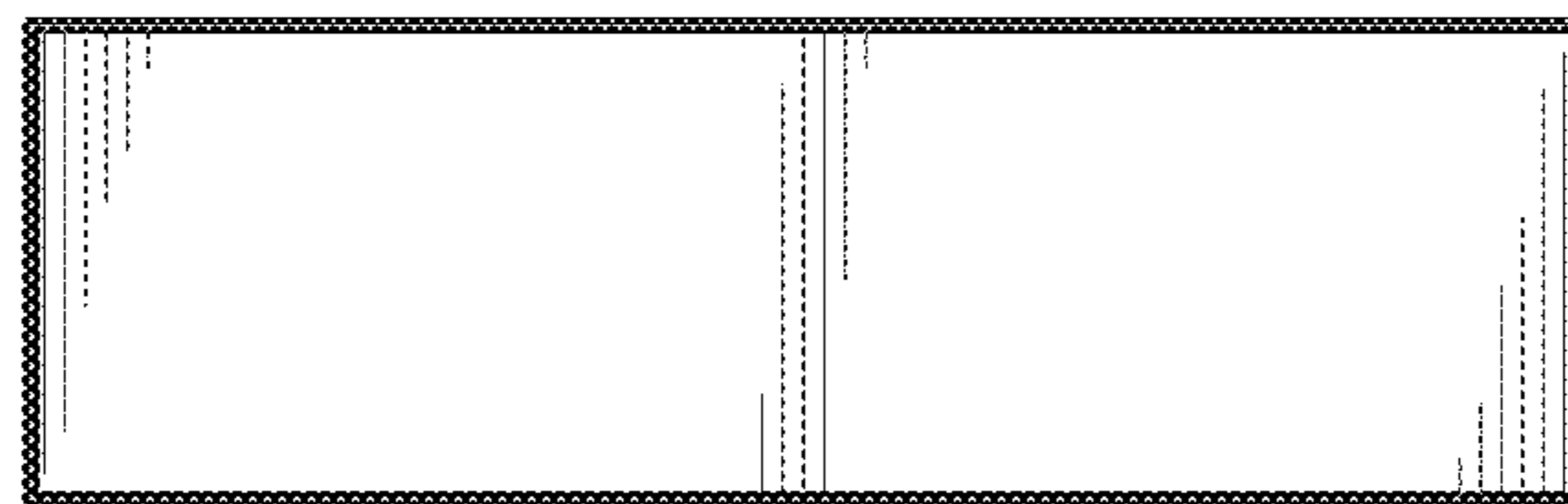


FIG. 7

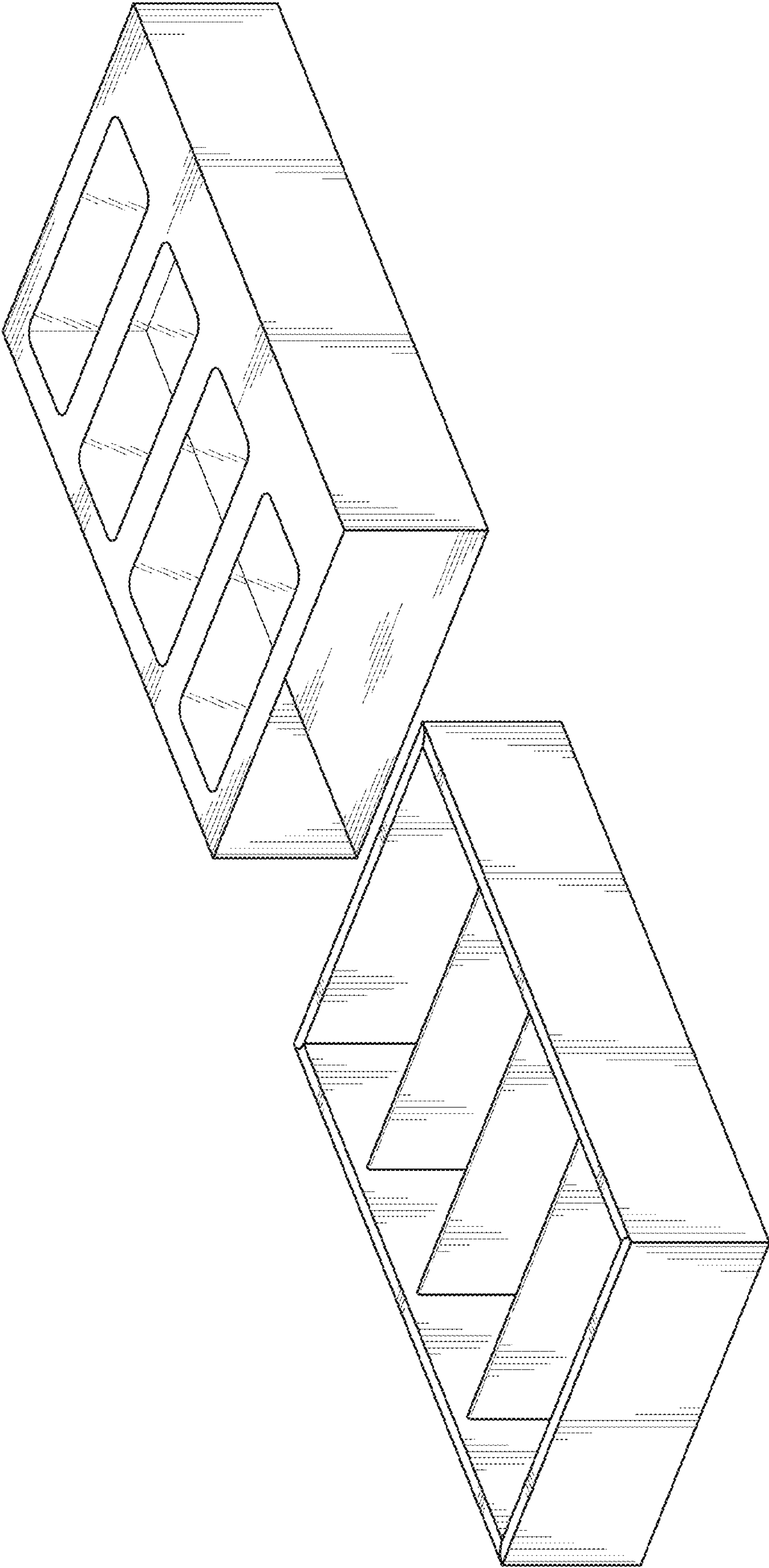


FIG. 8