



US00D980057S

(12) **United States Design Patent** (10) **Patent No.:** **US D980,057 S**  
**Marotti et al.** (45) **Date of Patent:** **\*\* Mar. 7, 2023**

(54) **TOOTHPASTE CARTON**

(71) Applicant: **The Procter & Gamble Company**,  
Cincinnati, OH (US)

(72) Inventors: **Martin Jay Marotti**, Carmel, IN (US);  
**Jennifer Kay Seiser**, Cincinnati, OH  
(US); **Eric Donald Weller**, Liberty  
Township, OH (US)

(73) Assignee: **The Procter & Gamble Company**,  
Cincinnati, OH (US)

(\*\*) Term: **15 Years**

(21) Appl. No.: **29/717,334**

(22) Filed: **Dec. 17, 2019**

(51) **LOC (14) Cl.** ..... **09-03**

(52) **U.S. Cl.**  
USPC ..... **D9/418**

(58) **Field of Classification Search**  
USPC ..... D9/418, 414-415, 425, 423, 697, 432,  
D9/434, 563; D27/167

(Continued)

(56) **References Cited**

U.S. PATENT DOCUMENTS

D389,737 S \* 1/1998 Bader ..... D9/418  
D502,392 S \* 3/2005 Maher ..... D9/418

(Continued)

*Primary Examiner* — Rhea Shields

(74) *Attorney, Agent, or Firm* — Elizabeth A. Conklin

(57) **CLAIM**

The ornamental design for a toothpaste carton, shown and described.

**DESCRIPTION**

The file of this patent contains at least one drawing/photograph executed in color. Copies of this patent with color

drawing(s)/photograph(s) will be provided by the Office upon request and payment of the necessary fee.

FIG. 1 is a perspective elevation view of a metallic band on a toothpaste tube visible through an opening in a toothpaste carton;

FIG. 2 is a front view thereof;

FIG. 3 is a right side view thereof;

FIG. 4 is a back view thereof;

FIG. 5 is a left side view thereof;

FIG. 6 is a top view thereof; and

FIG. 7 is a bottom view thereof.

FIG. 8 is a perspective elevation view of a rose gold metallic band on a toothpaste tube visible through an opening in a toothpaste carton;

FIG. 9 is a front view thereof;

FIG. 10 is a right side view thereof;

FIG. 11 is a back view thereof;

FIG. 12 is a left side view thereof;

FIG. 13 is a top view thereof; and

FIG. 14 is a bottom view thereof.

FIG. 15 is a perspective elevation view of a gold metallic band on a toothpaste tube visible through an opening in a toothpaste carton;

FIG. 16 is a front view thereof;

FIG. 17 is a right side view thereof;

FIG. 18 is a back view thereof; and

FIG. 19 is a left side view thereof;

FIG. 20 is a top view thereof; and

FIG. 21 is a bottom view thereof.

FIG. 22 is a perspective elevation view of a toothpaste tube visible through an opening in a toothpaste carton;

FIG. 23 is a front view thereof;

FIG. 24 is a right side view thereof;

FIG. 25 is a back view thereof;

FIG. 26 is a left side view thereof;

FIG. 27 is a top view thereof; and

FIG. 28 is a bottom view thereof.

FIG. 29 is a perspective elevation view of a toothpaste carton;

FIG. 30 is a front view thereof;

FIG. 31 is a right side view thereof;

FIG. 32 is a back view thereof;

FIG. 33 is a left side view thereof;

(Continued)

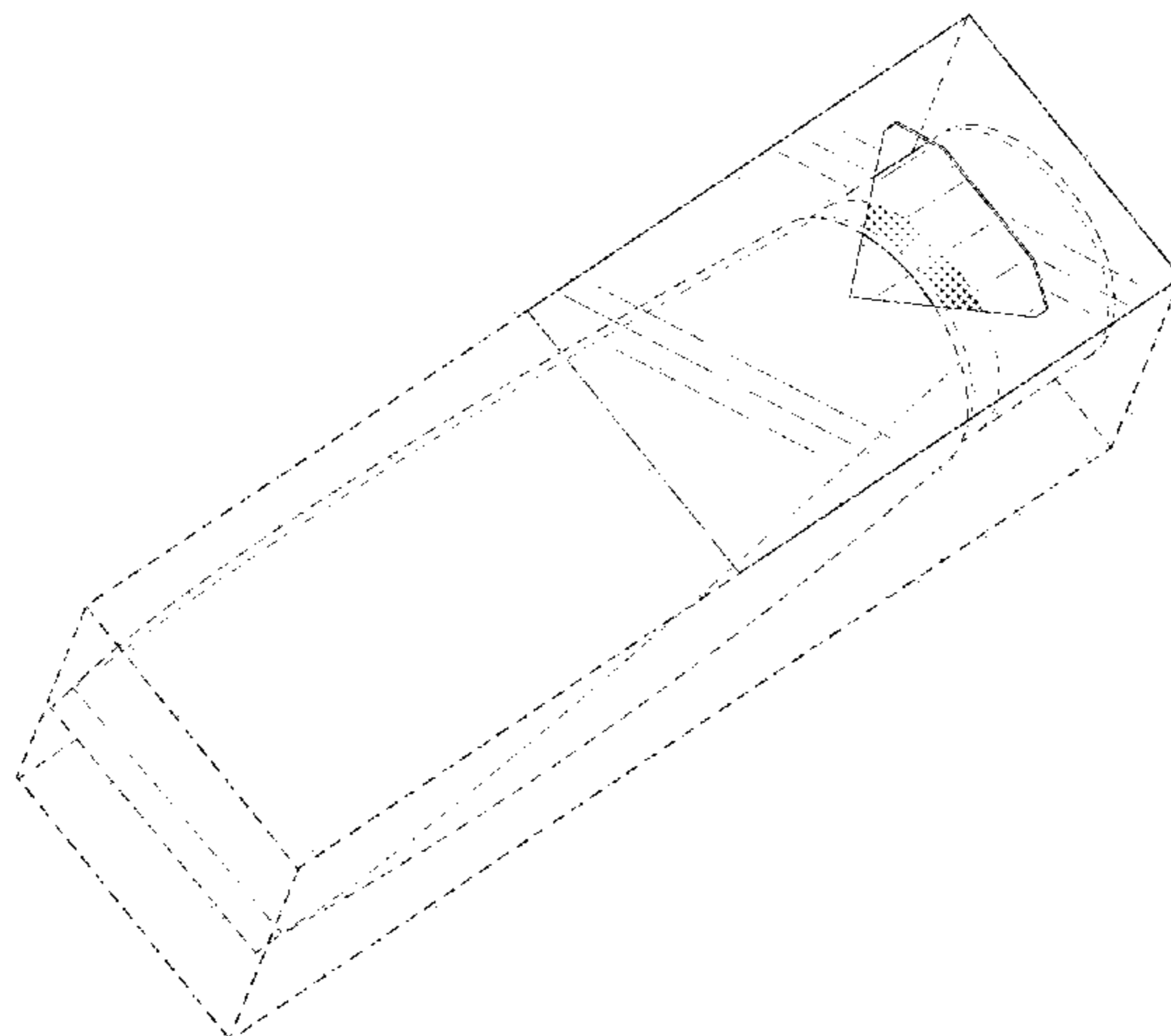


FIG. 34 is a top view thereof; and  
 FIG. 35 is a bottom view thereof.  
 FIG. 36 is a perspective elevation view of a toothpaste carton;  
 FIG. 37 is a front view thereof;  
 FIG. 38 is a right side view thereof;  
 FIG. 39 is a back view thereof;  
 FIG. 40 is a left side view thereof;  
 FIG. 41 is a top view thereof; and  
 FIG. 42 is a bottom view thereof.  
 FIG. 43 is a perspective elevation view of a toothpaste carton;  
 FIG. 44 is a front view thereof;  
 FIG. 45 is a right side view thereof;  
 FIG. 46 is a back view thereof;  
 FIG. 47 is a left side view thereof;  
 FIG. 48 is a top view thereof; and,  
 FIG. 49 is a bottom view thereof.  
 In the drawings, the broken lines are for the purpose of illustrating portions of the toothpaste carton that form no part of the claimed design.

**1 Claim, 21 Drawing Sheets  
 (6 of 21 Drawing Sheet(s) Filed in Color)**

(58) **Field of Classification Search**  
 CPC ..... B65D 71/36  
 See application file for complete search history.

(56)

**References Cited**

U.S. PATENT DOCUMENTS

D564,872	S	*	3/2008	Kamins	.....	D9/418
D570,210	S	*	6/2008	McGrath	.....	D9/418
D587,565	S	*	3/2009	Choi	.....	D9/418
D597,830	S	*	8/2009	Andersen	.....	D9/418
D650,678	S	*	12/2011	Marotti	.....	D9/563
D699,562	S	*	2/2014	Klauder	.....	D9/418
D709,363	S	*	7/2014	Boehnen	.....	D9/418
D740,652	S	*	10/2015	Makhsudova	.....	D9/418
D745,388	S	*	12/2015	Taylor	.....	D9/418
D778,716	S	*	2/2017	Takahashi	.....	D9/418
D798,141	S	*	9/2017	Miller	.....	D9/418
D798,703	S	*	10/2017	Hainaut	.....	D9/418
D811,218	S	*	2/2018	Baldino	.....	B65D 71/36 D9/418
D825,102	S	*	8/2018	Bowen	.....	D27/167
D874,260	S	*	2/2020	Leegwater	.....	D9/418
D904,181	S	*	12/2020	Leegwater	.....	D9/418
D913,085	S	*	3/2021	Leegwater	.....	D9/418
D923,471	S	*	6/2021	Marotti	.....	D9/432
D942,264	S	*	2/2022	Marotti	.....	D9/418
D945,260	S	*	3/2022	Marotti	.....	D9/432
D945,261	S	*	3/2022	Marotti	.....	D9/432
D952,469	S	*	5/2022	Marotti	.....	D9/697
D953,160	S	*	5/2022	Marotti	.....	D9/432
D953,170	S	*	5/2022	Marotti	.....	D9/697
D955,215	S	*	6/2022	Kozub	.....	D9/432

\* cited by examiner

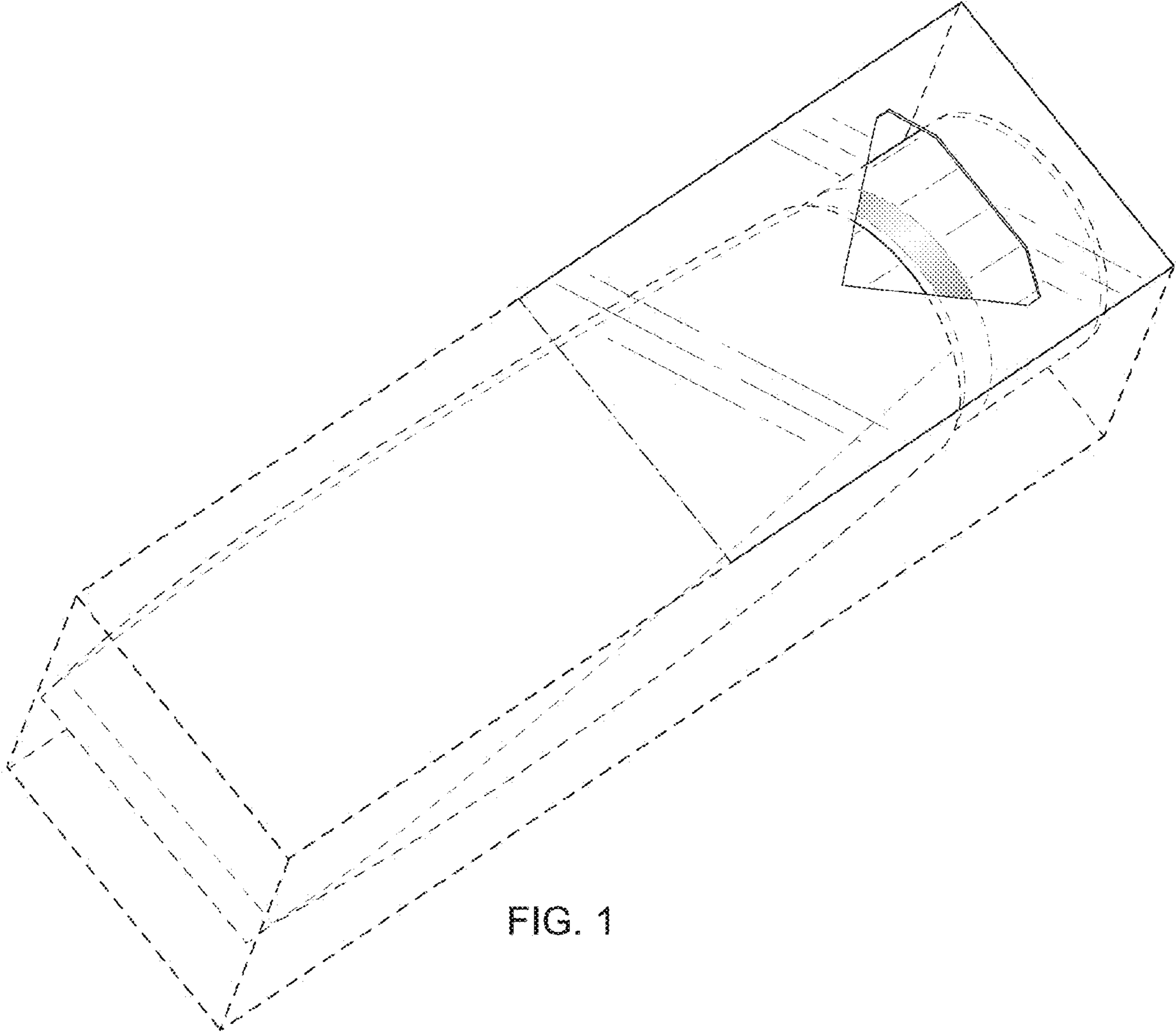


FIG. 1

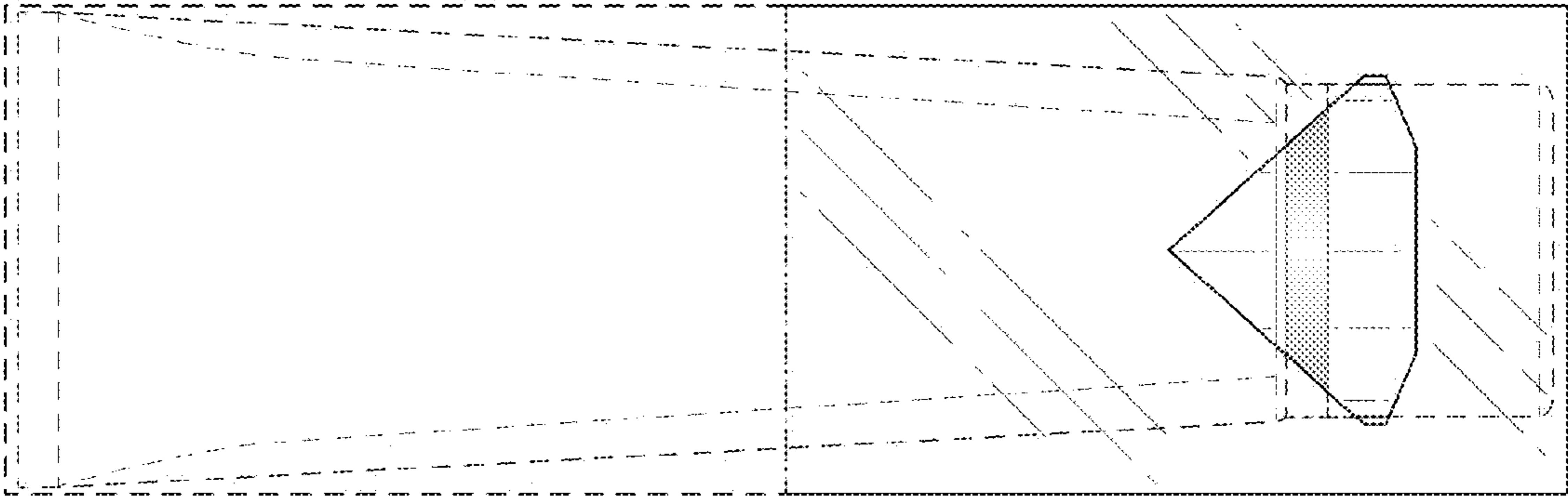


FIG. 2

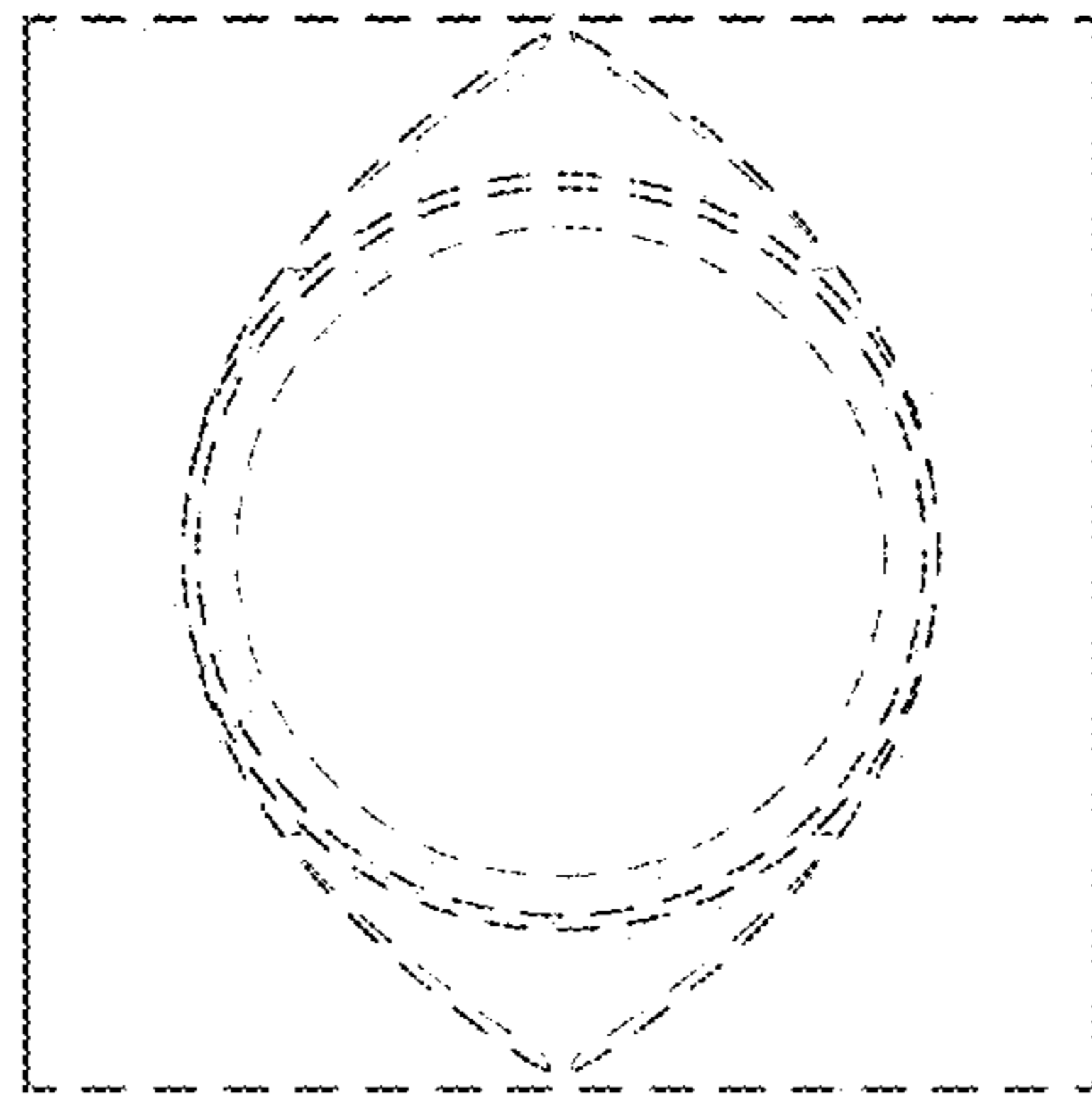


FIG. 3

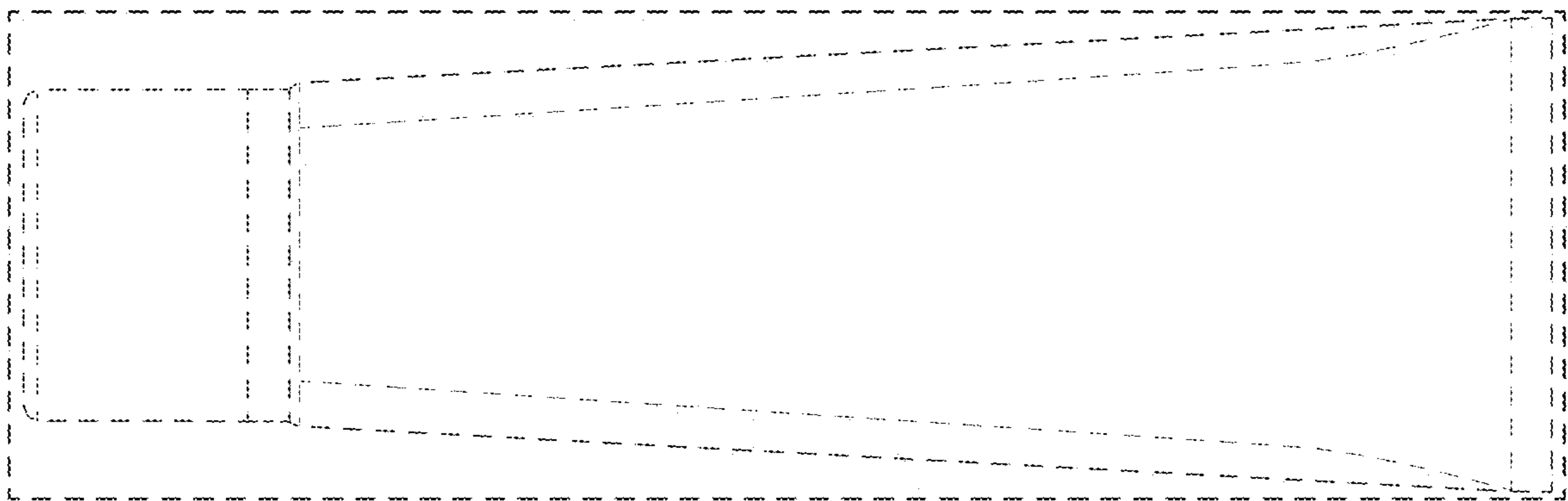


FIG. 4

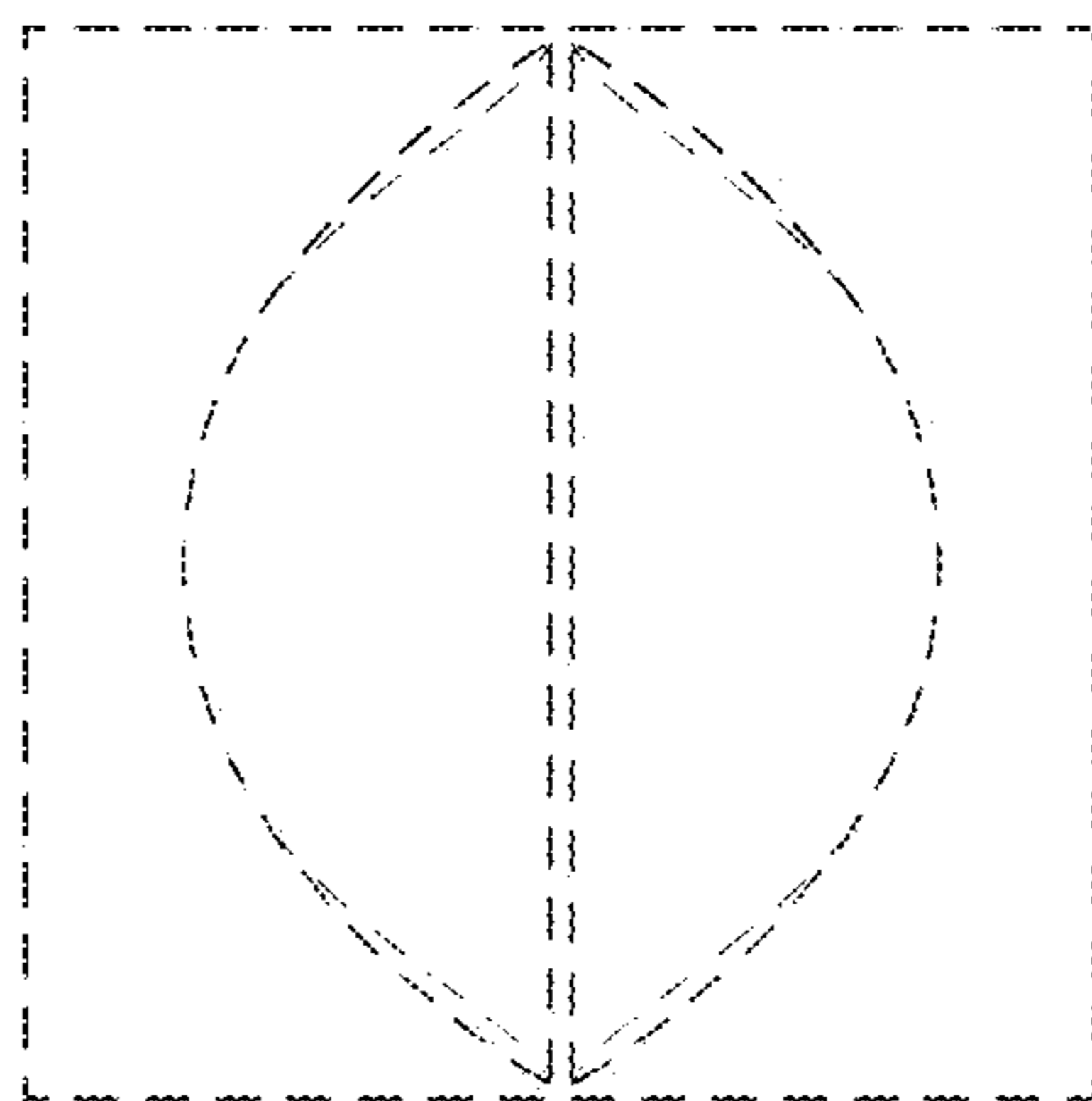


FIG. 5



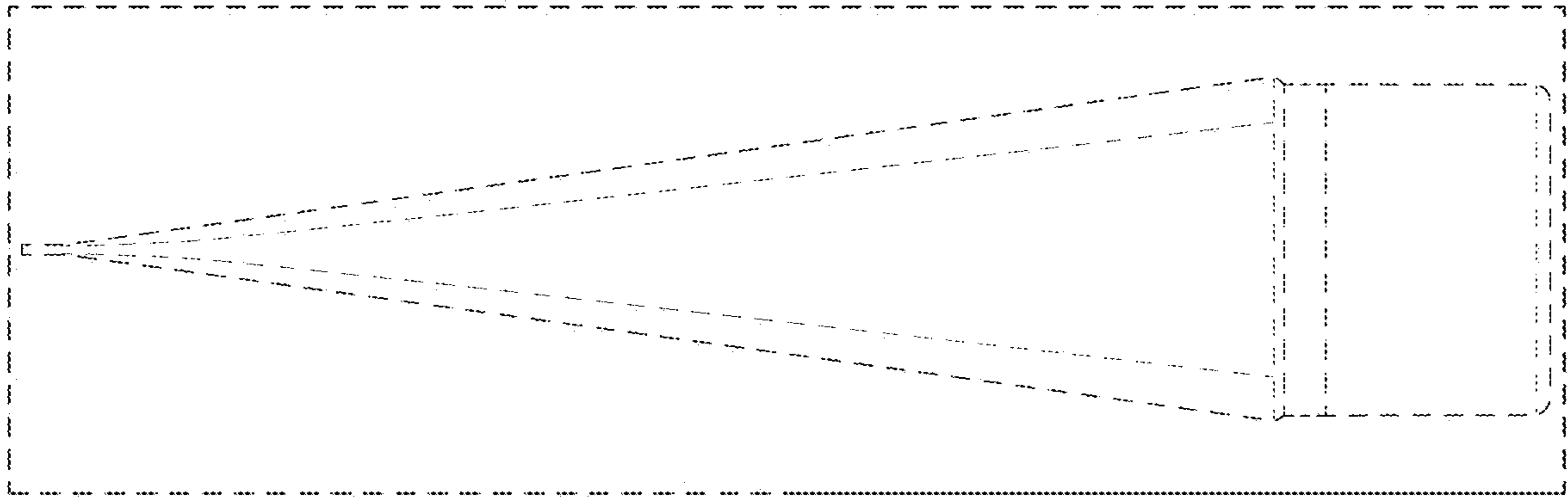


FIG. 6

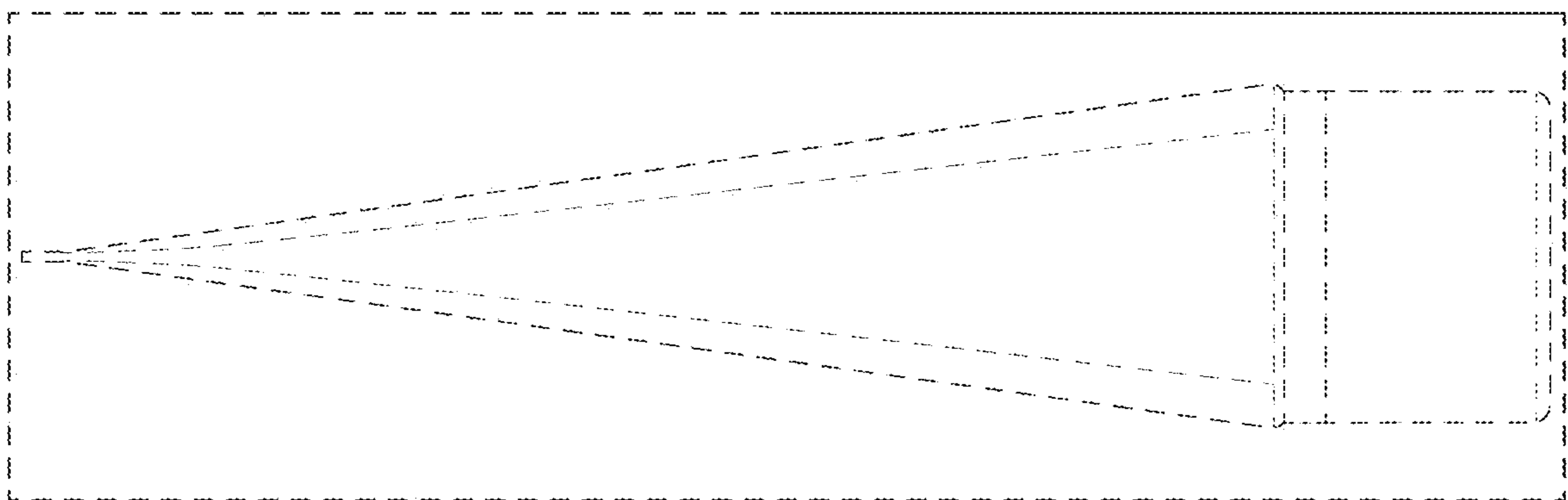


FIG. 7

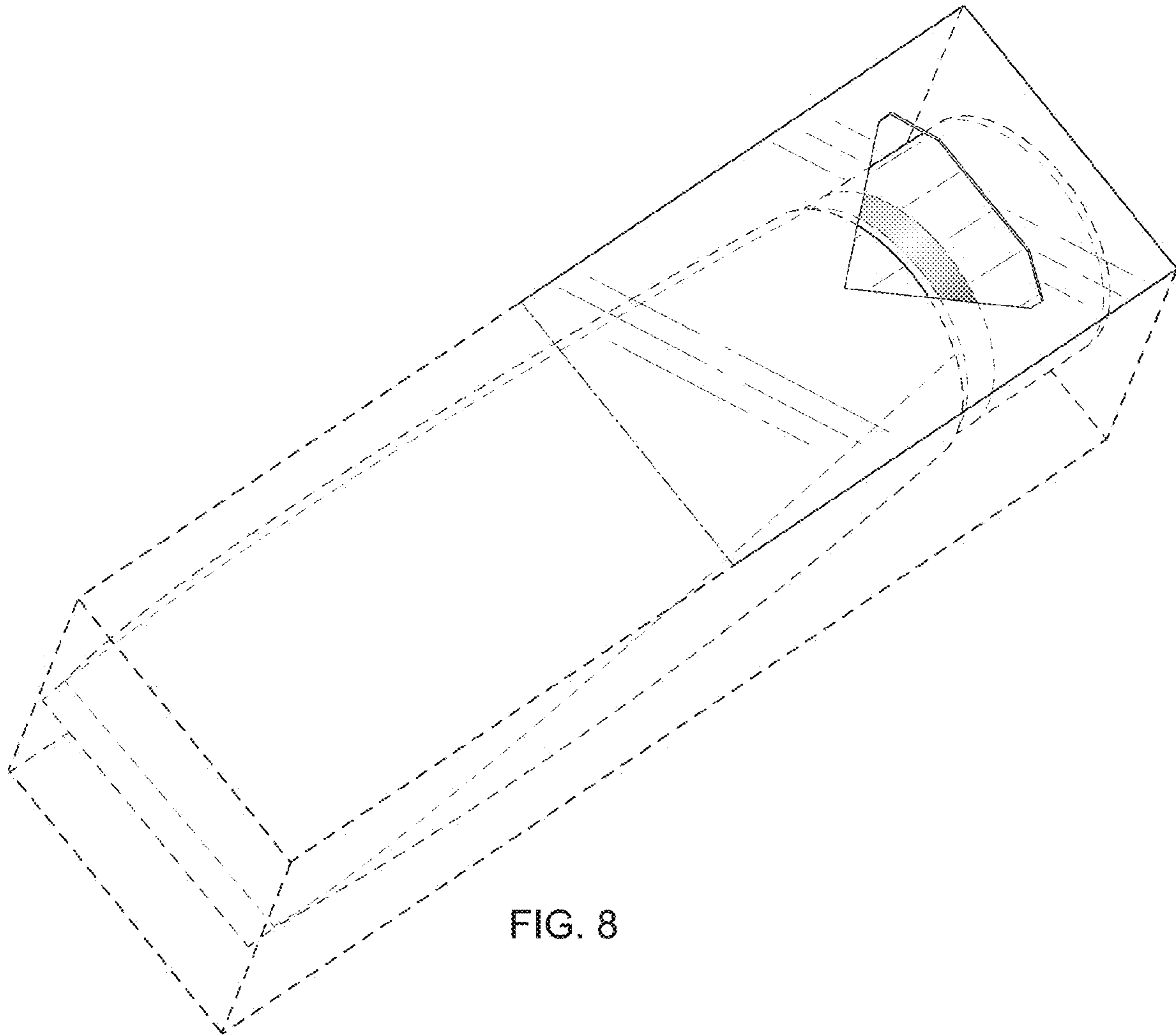


FIG. 8

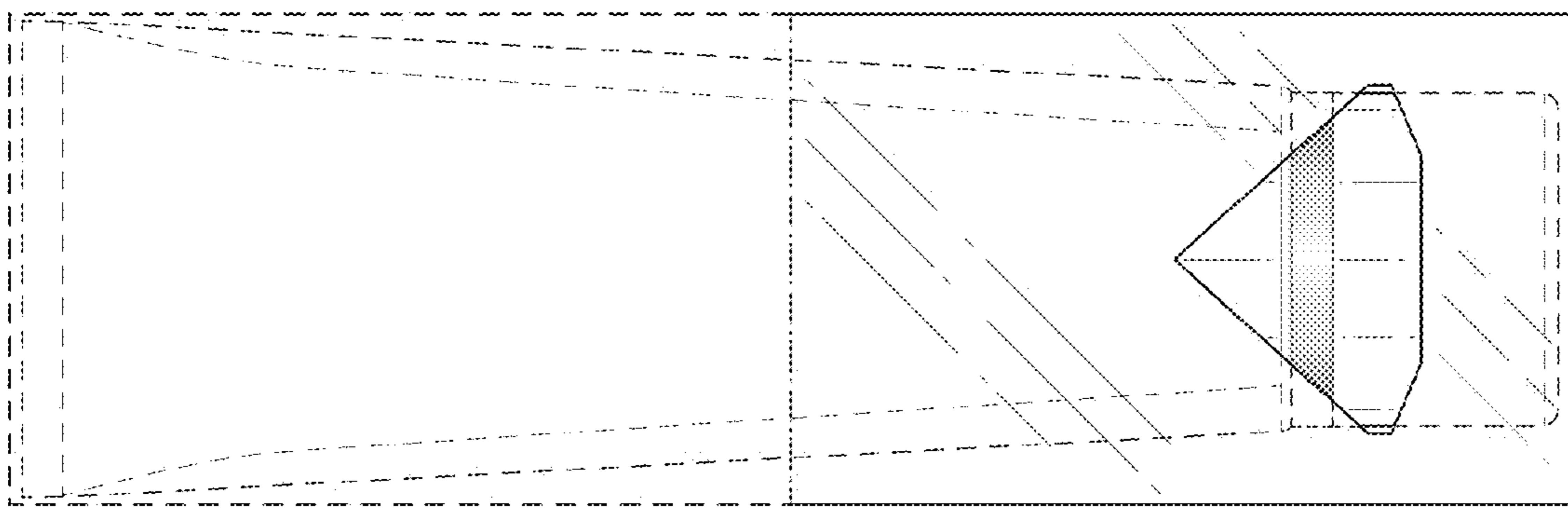


FIG. 9

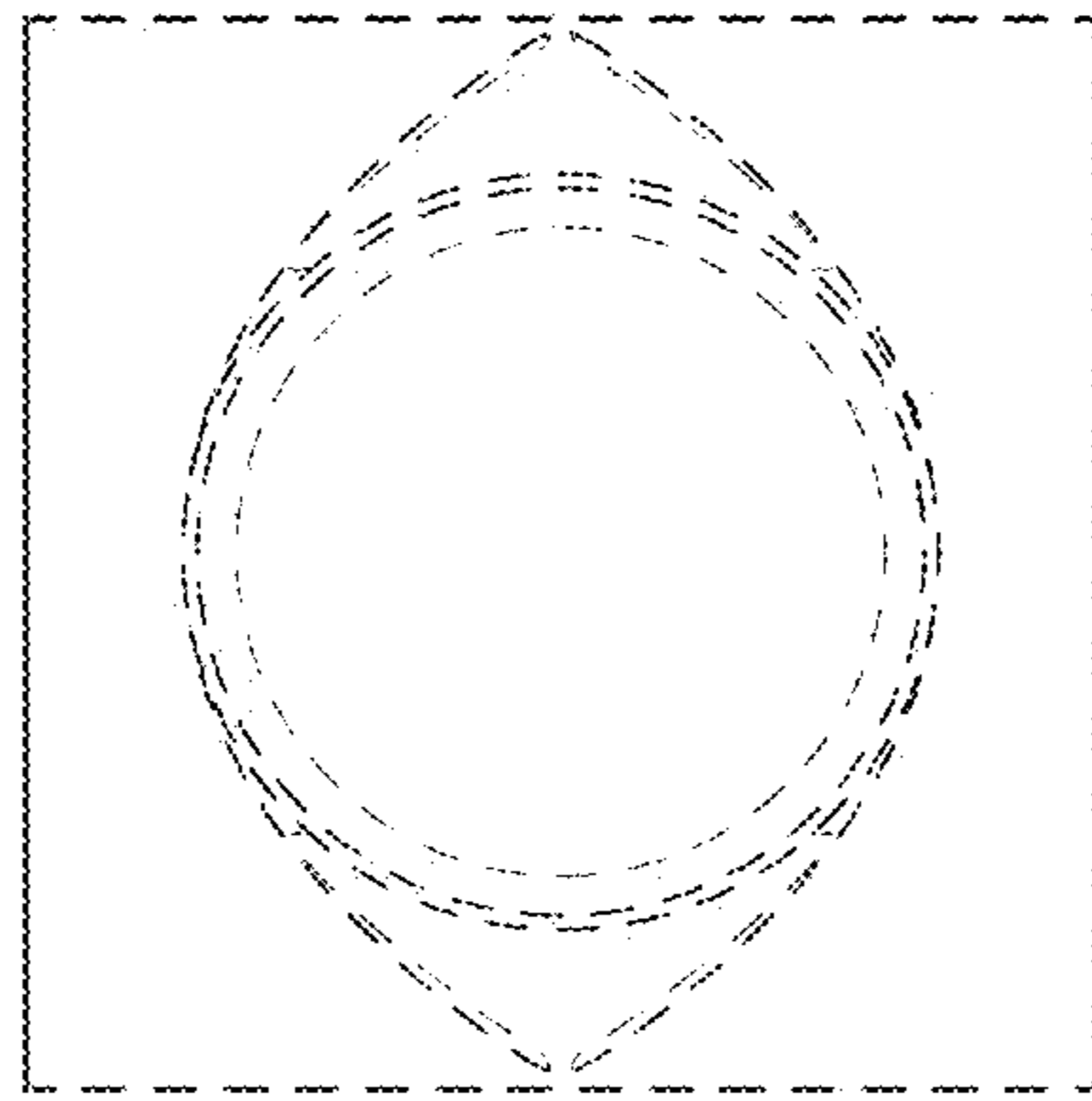


FIG. 10

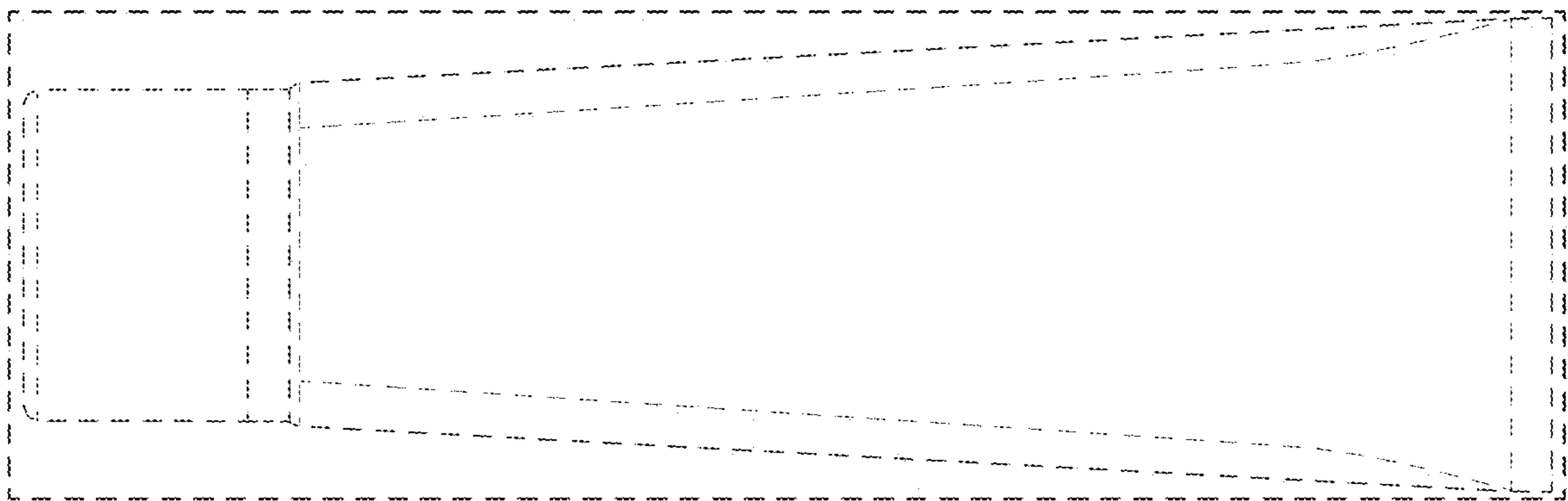


FIG. 11

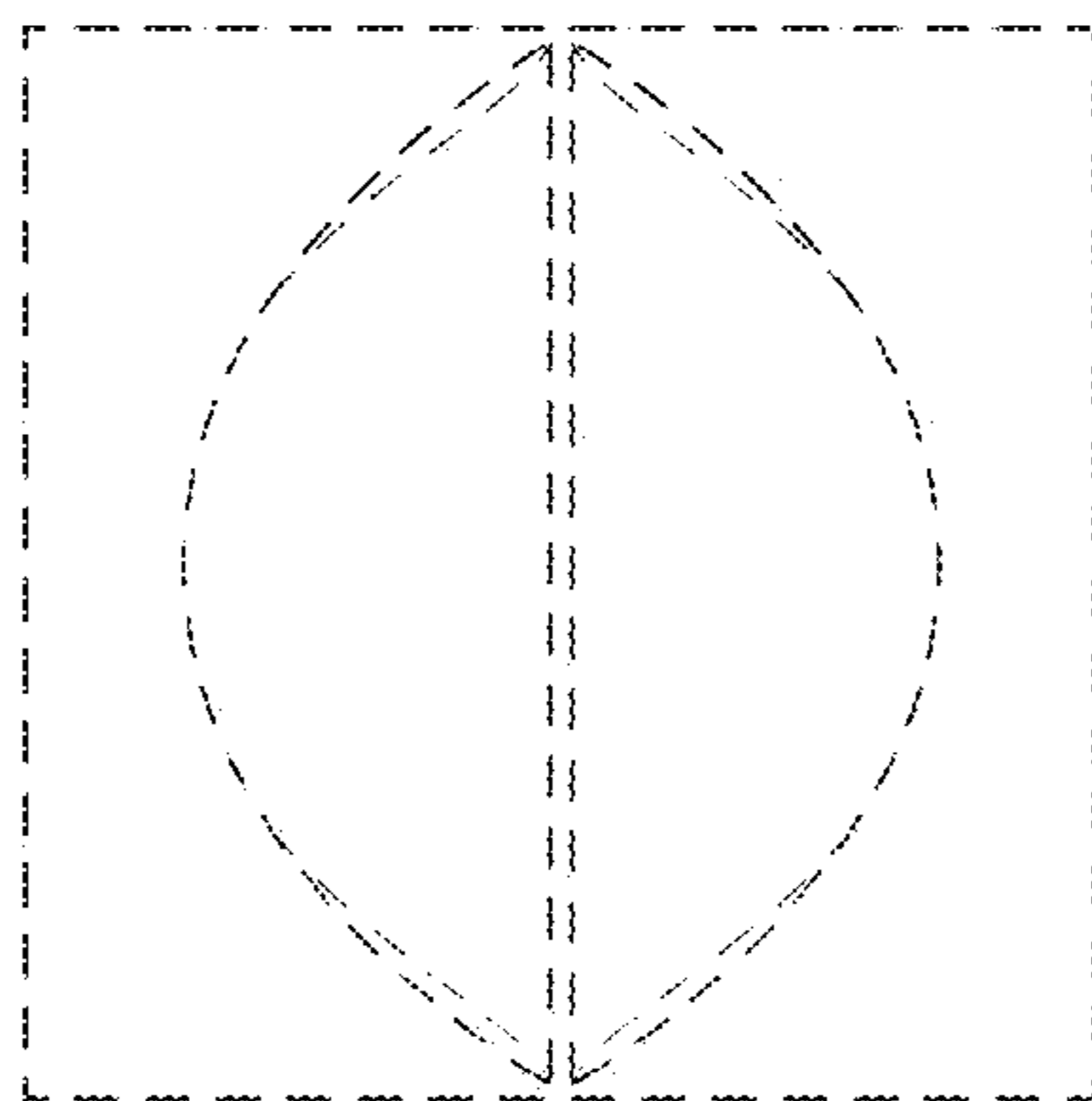


FIG. 12

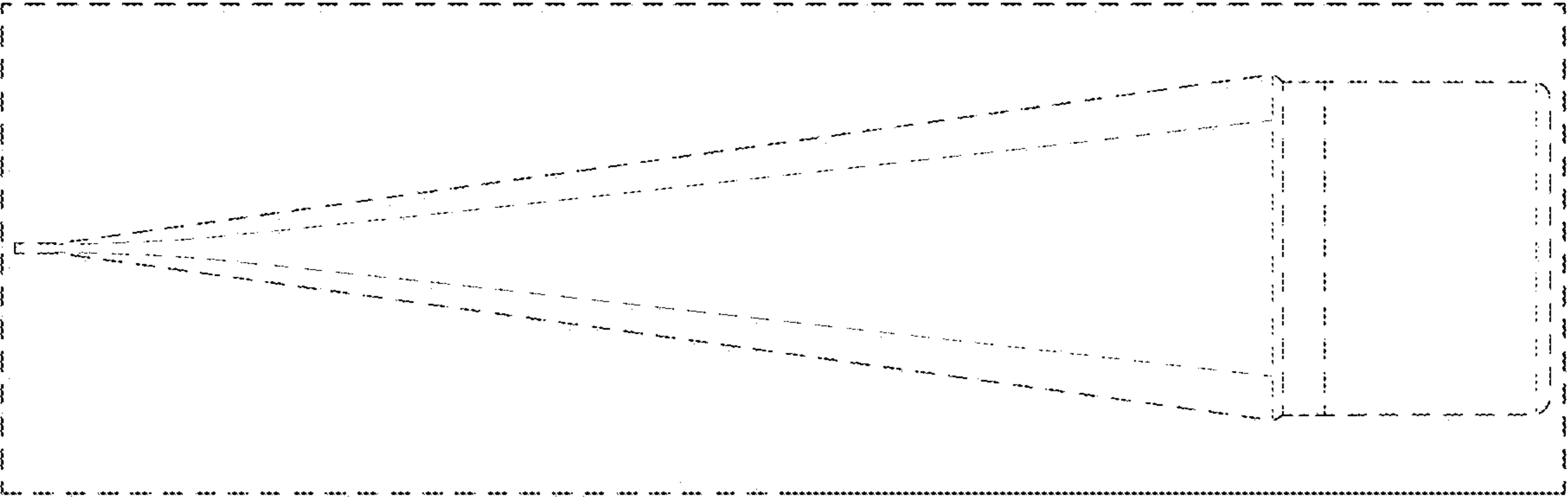


FIG. 13

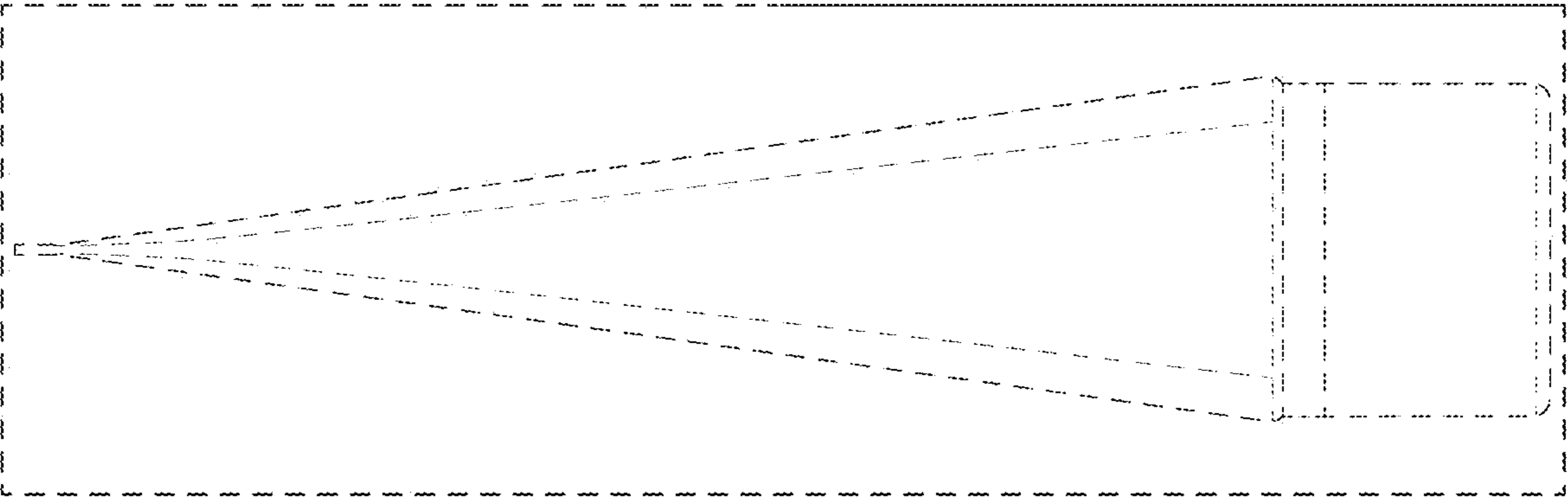


FIG. 14



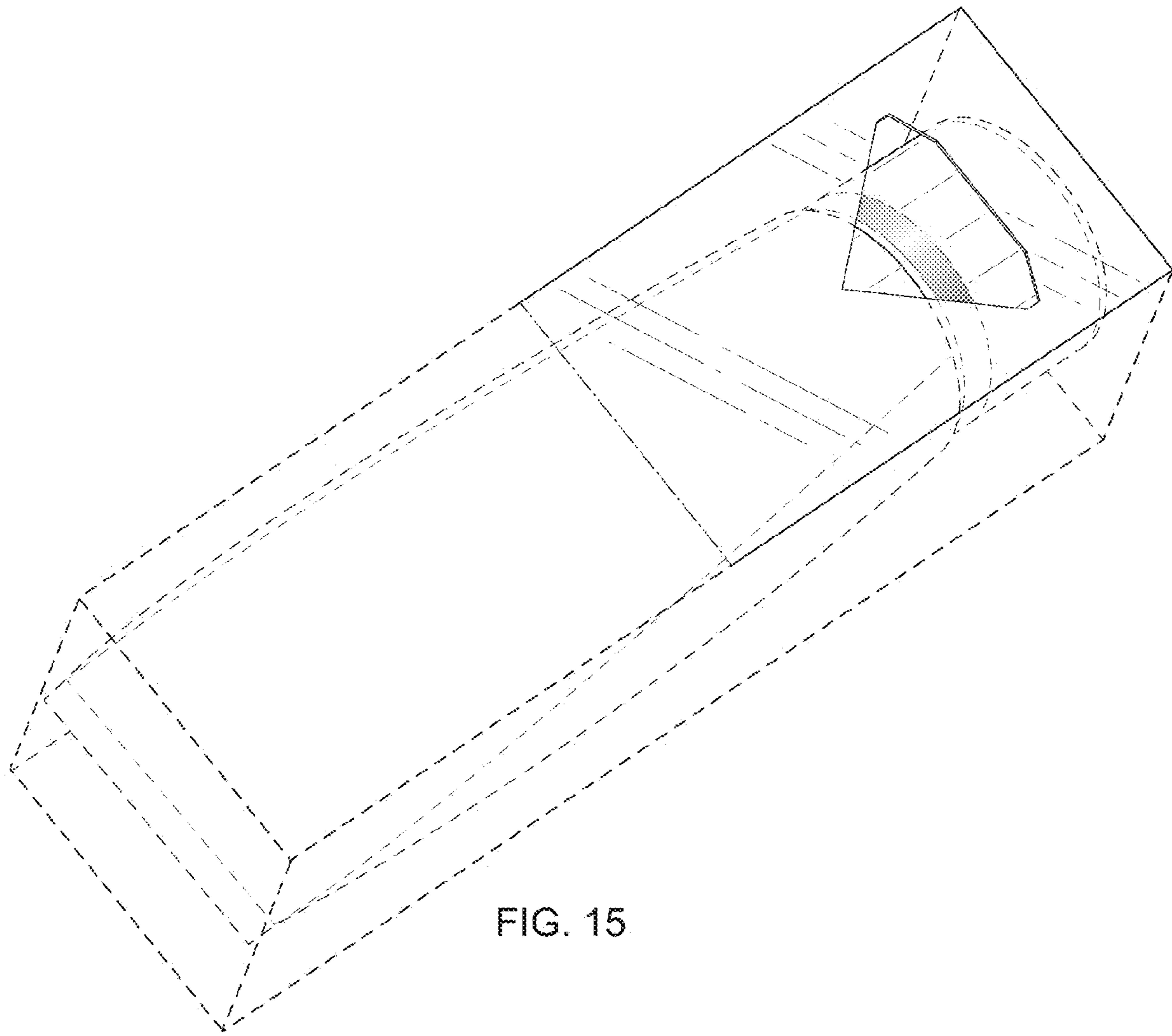


FIG. 15

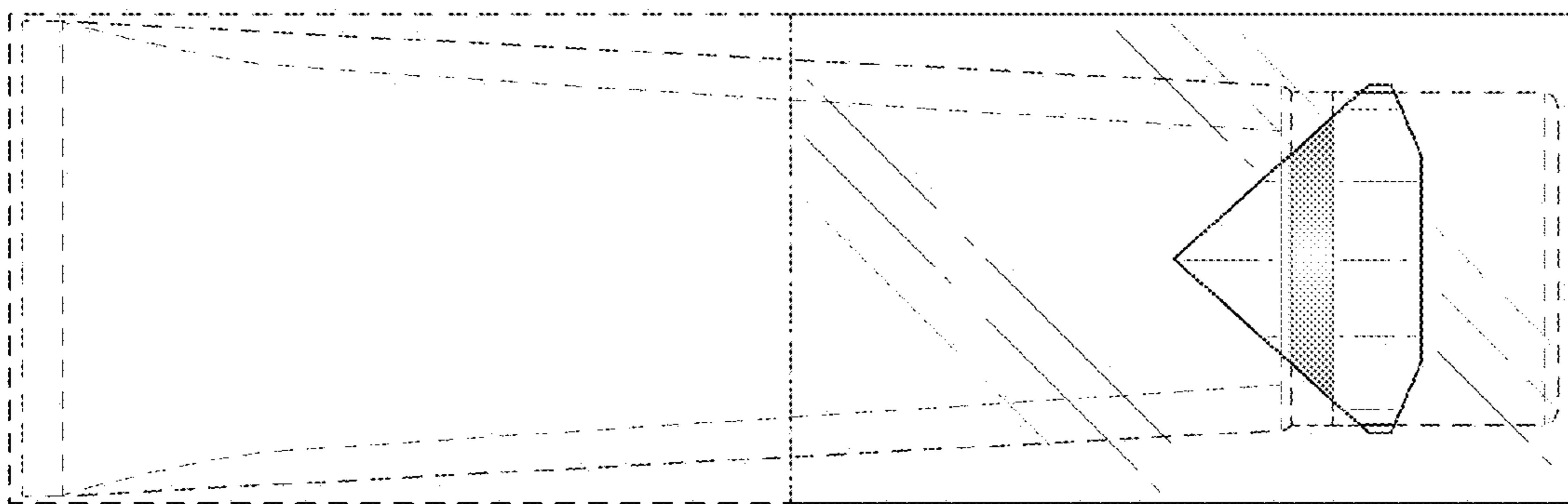


FIG. 16

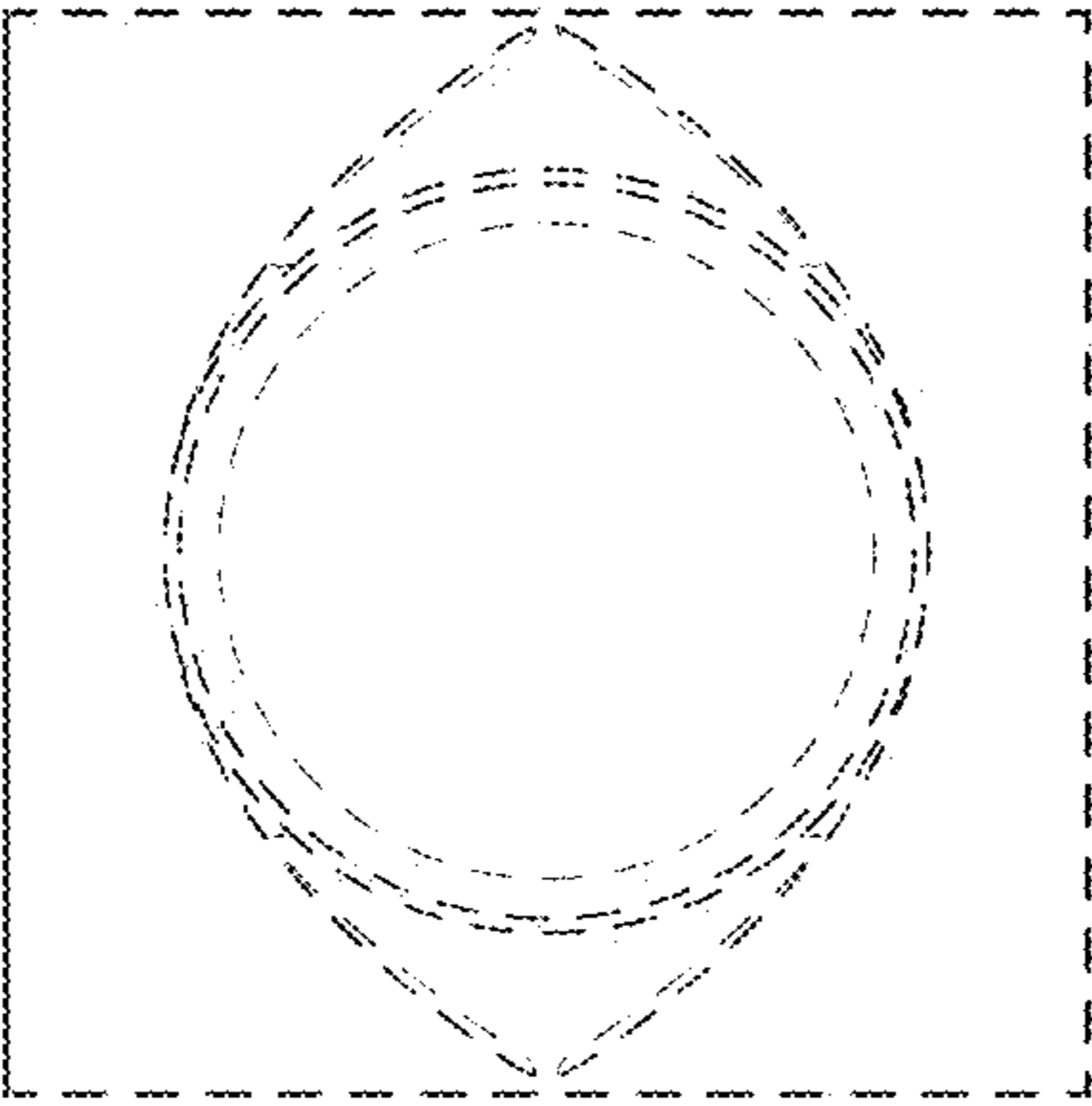


FIG. 17

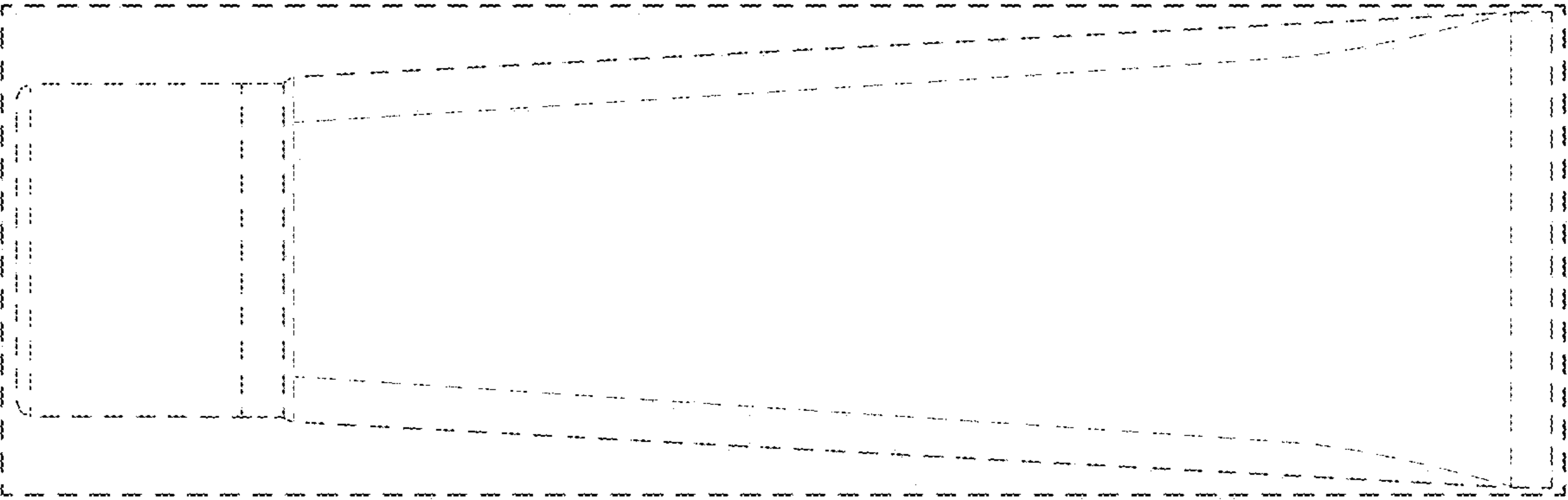


FIG. 18

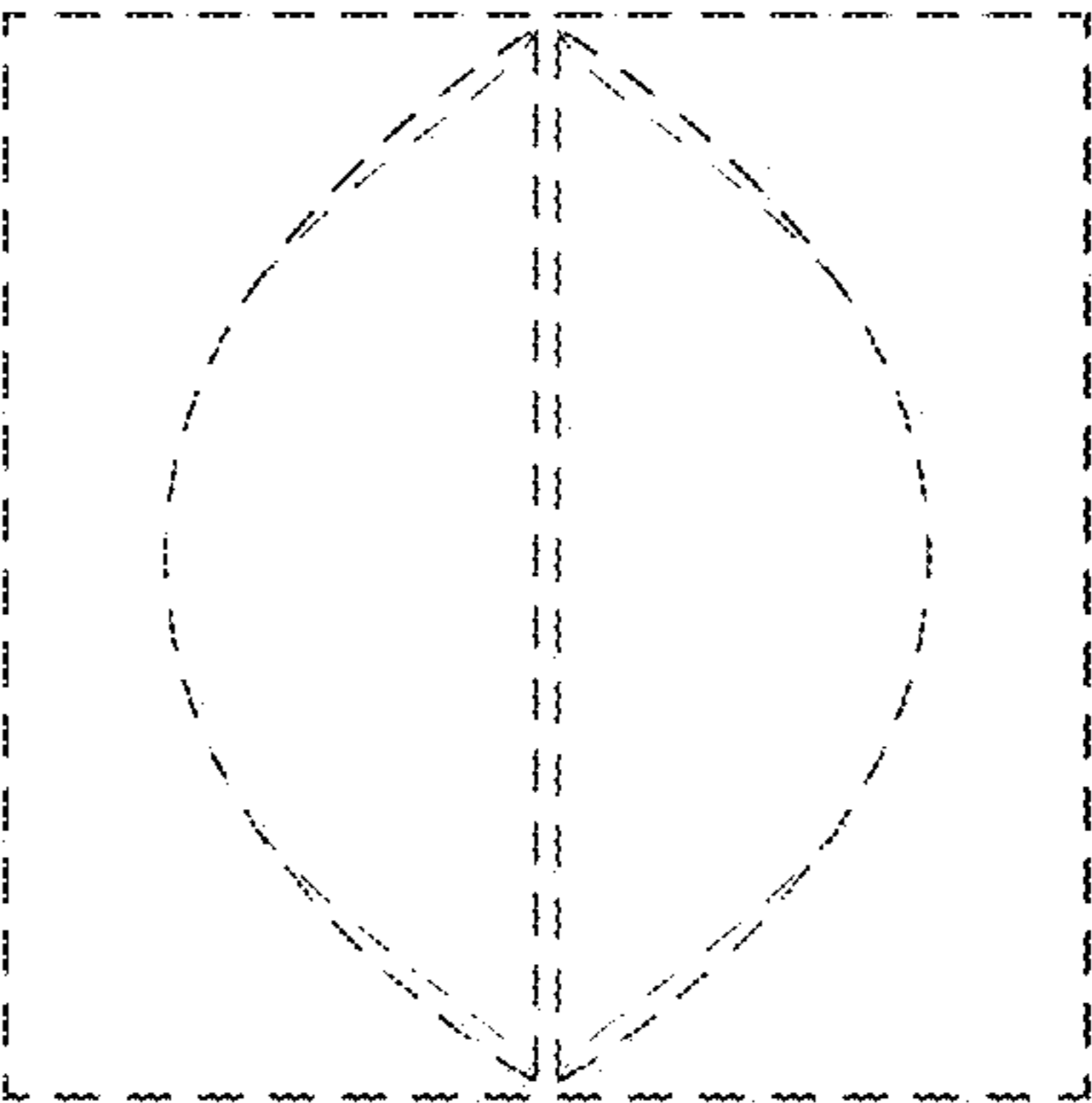


FIG. 19

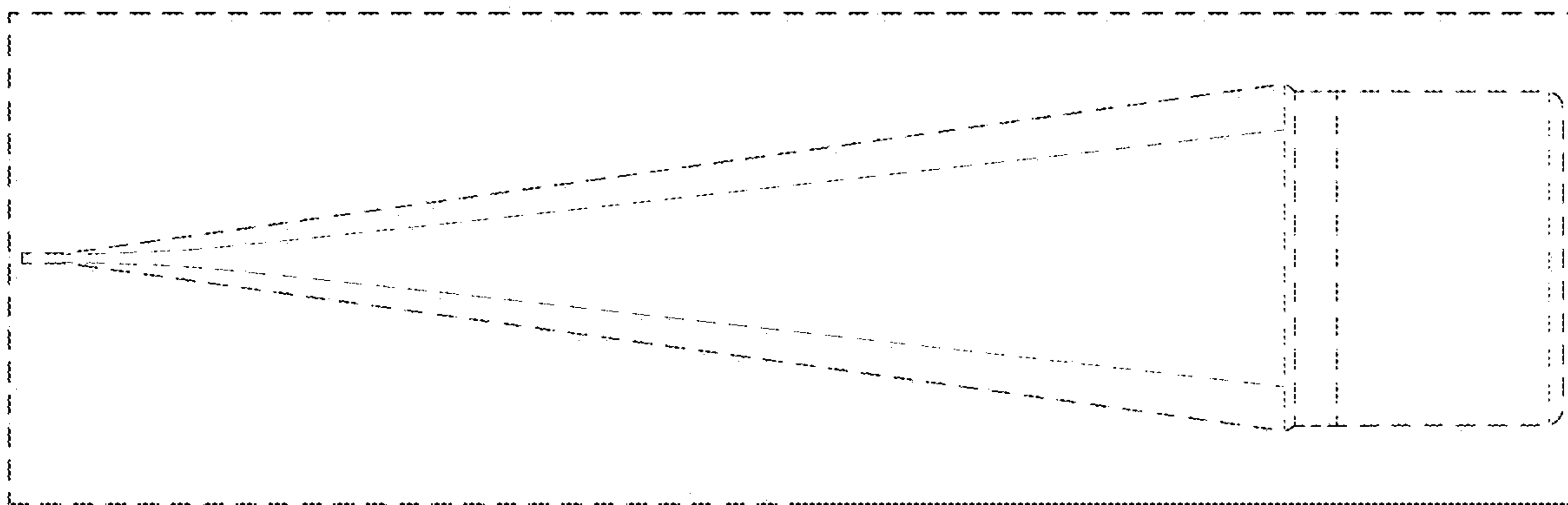


FIG. 20

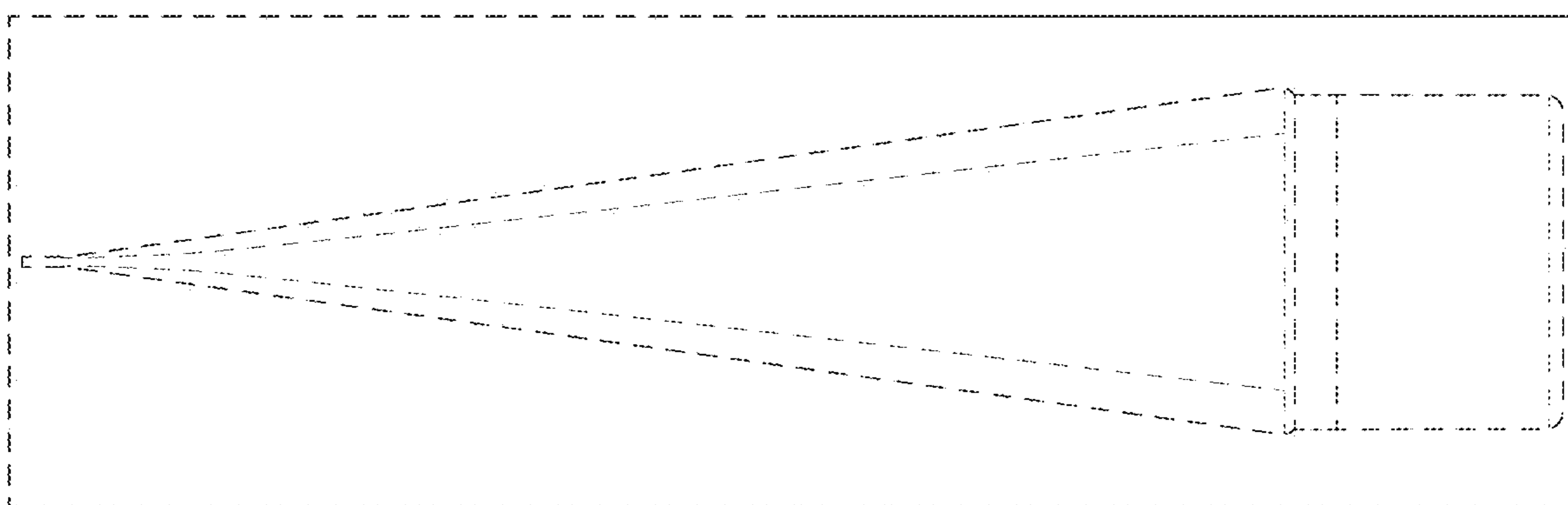


FIG. 21

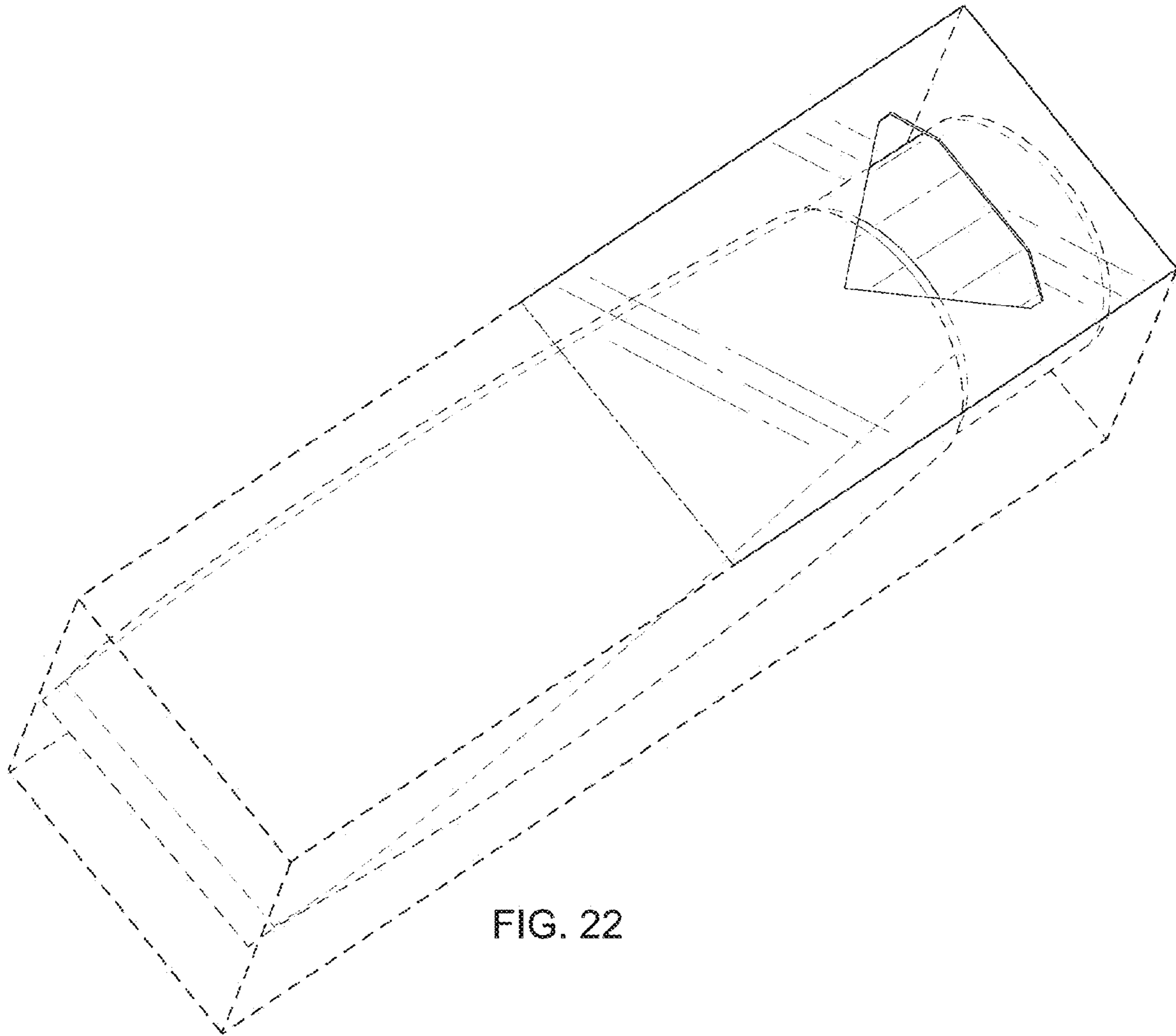


FIG. 22

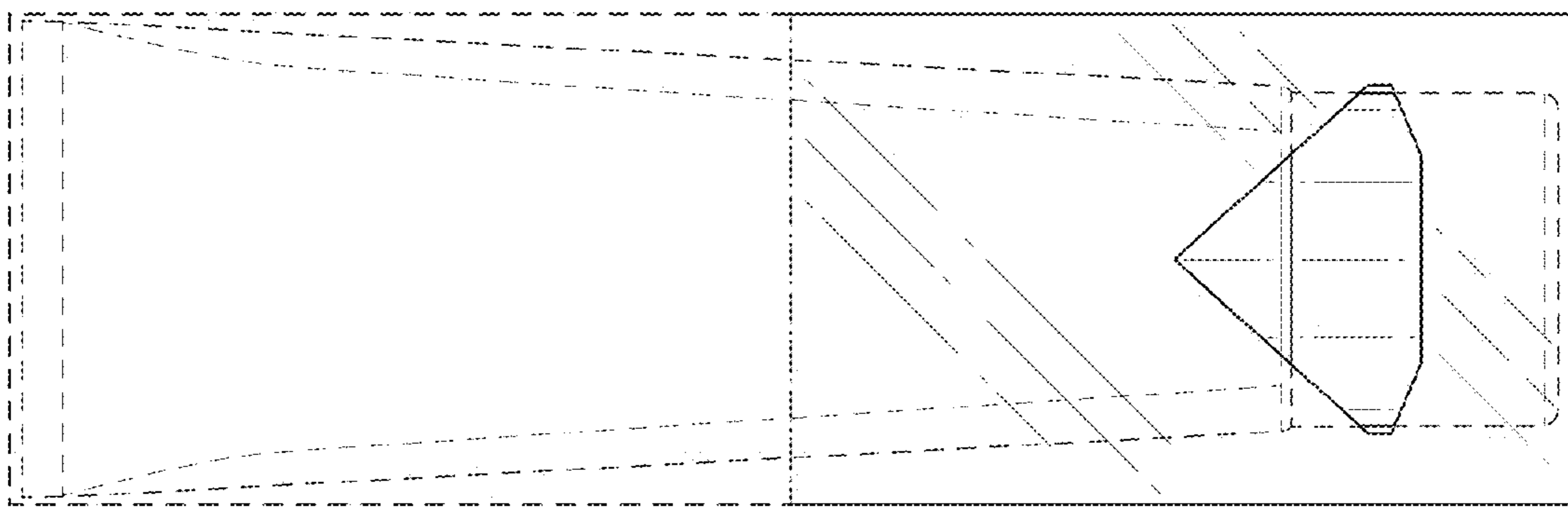


FIG. 23

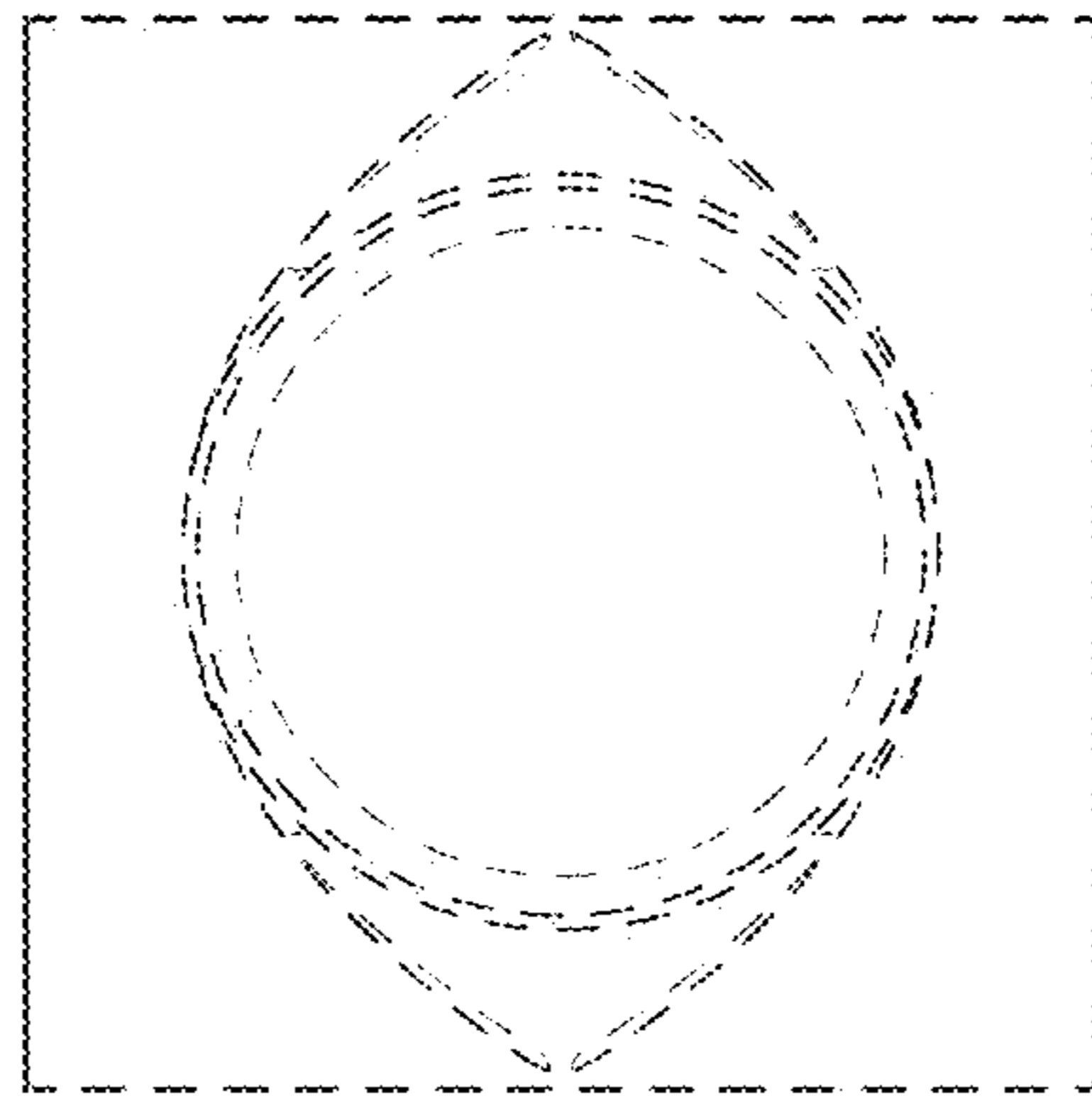


FIG. 24

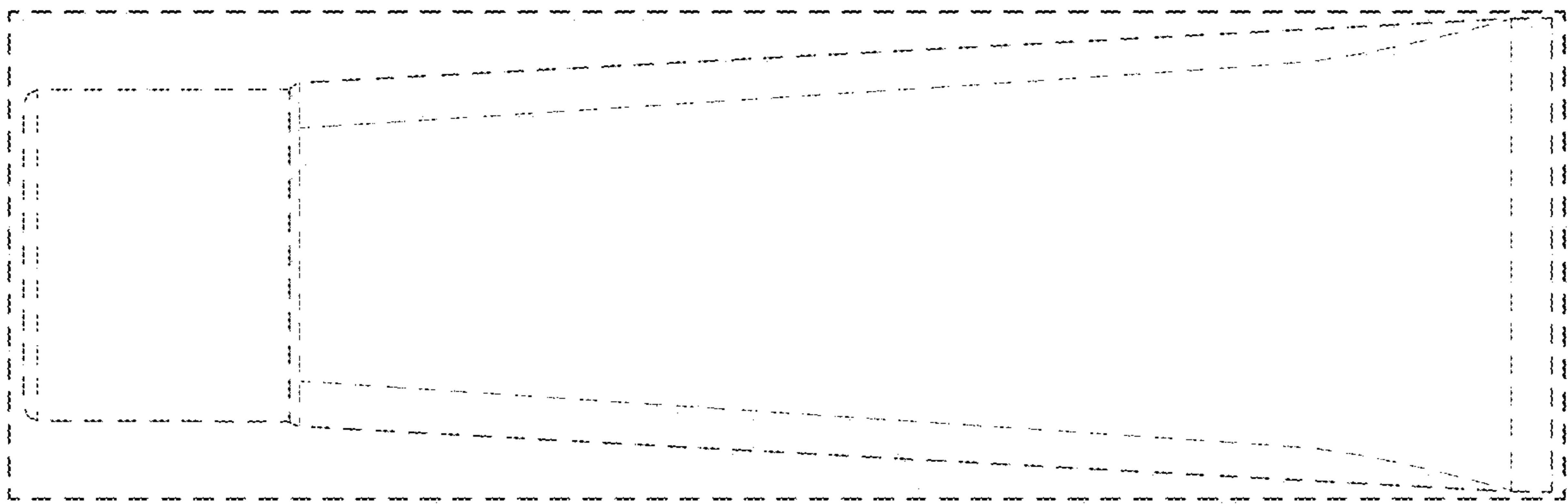


FIG. 25

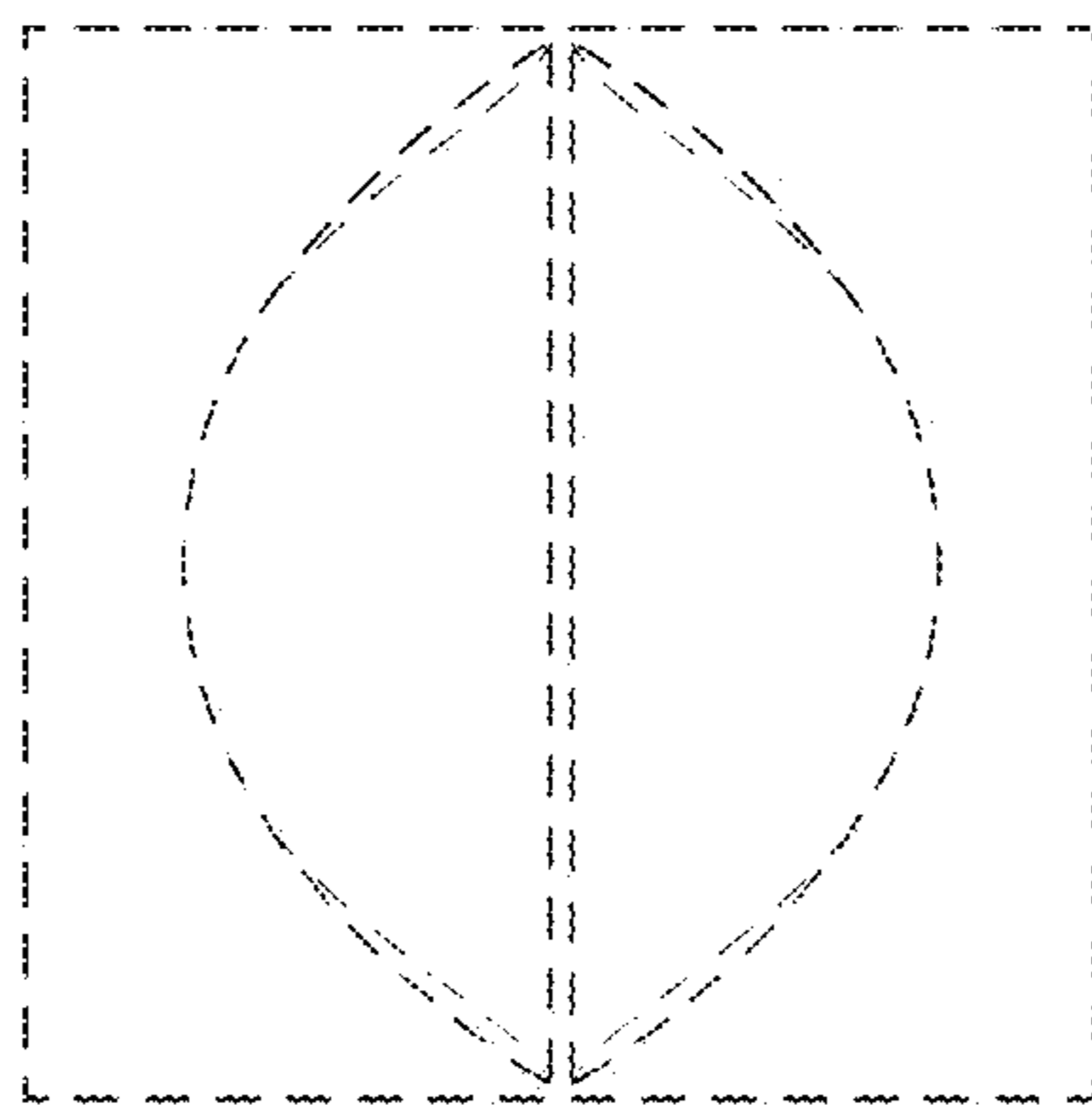


FIG. 26



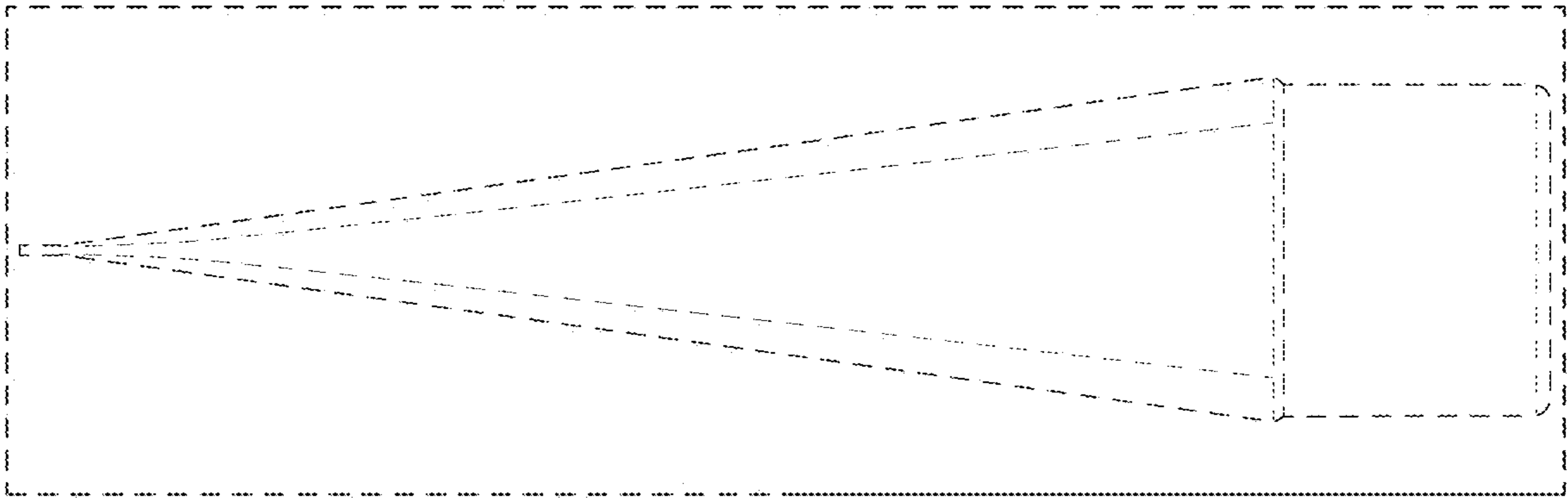


FIG. 27

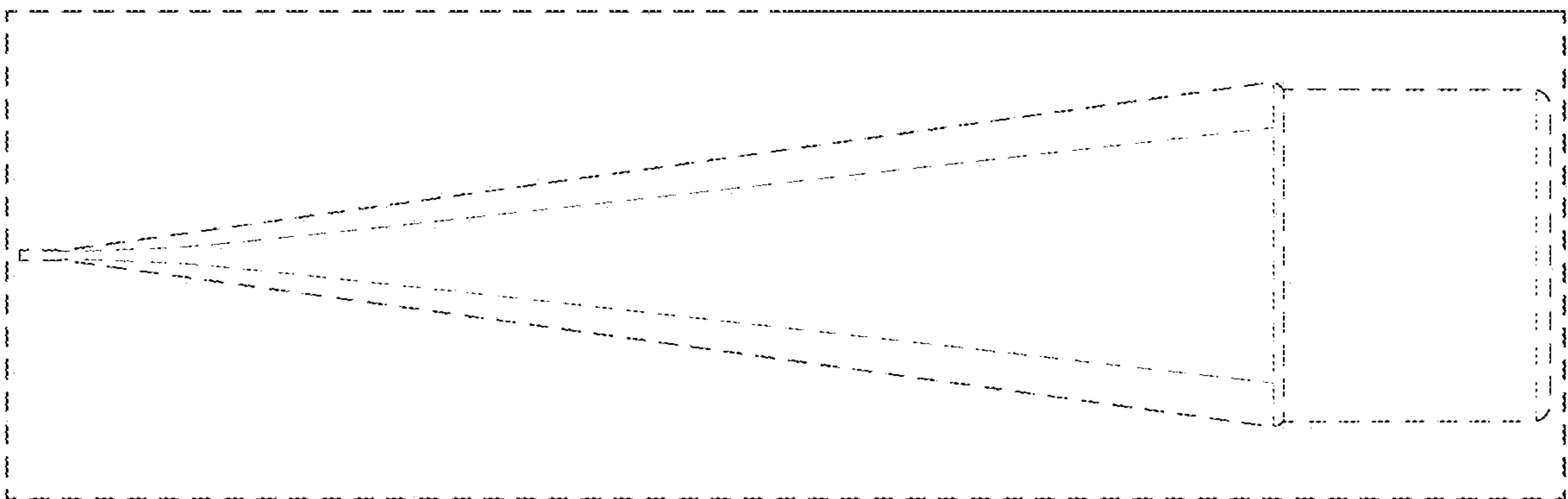


FIG. 28

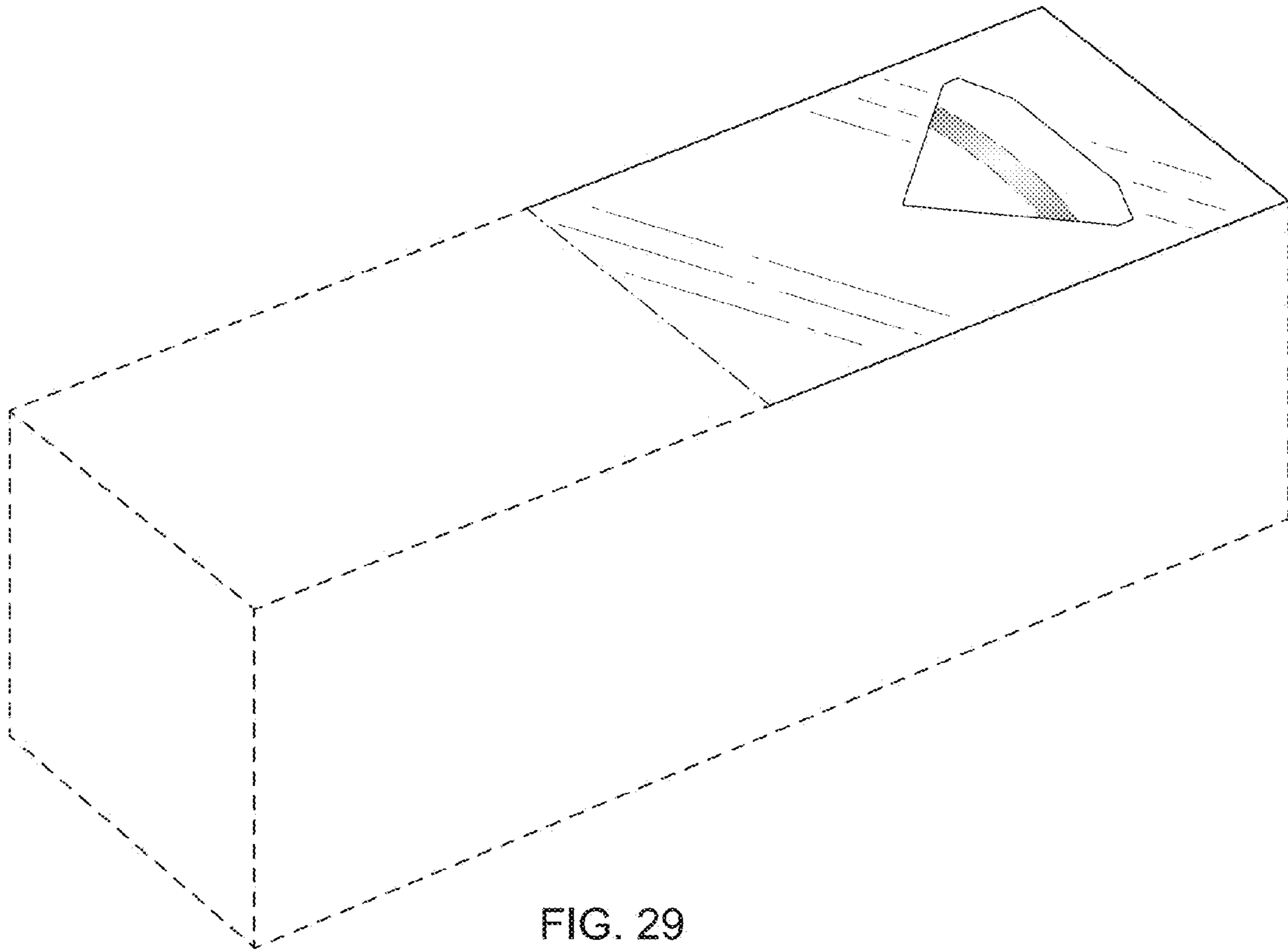


FIG. 29

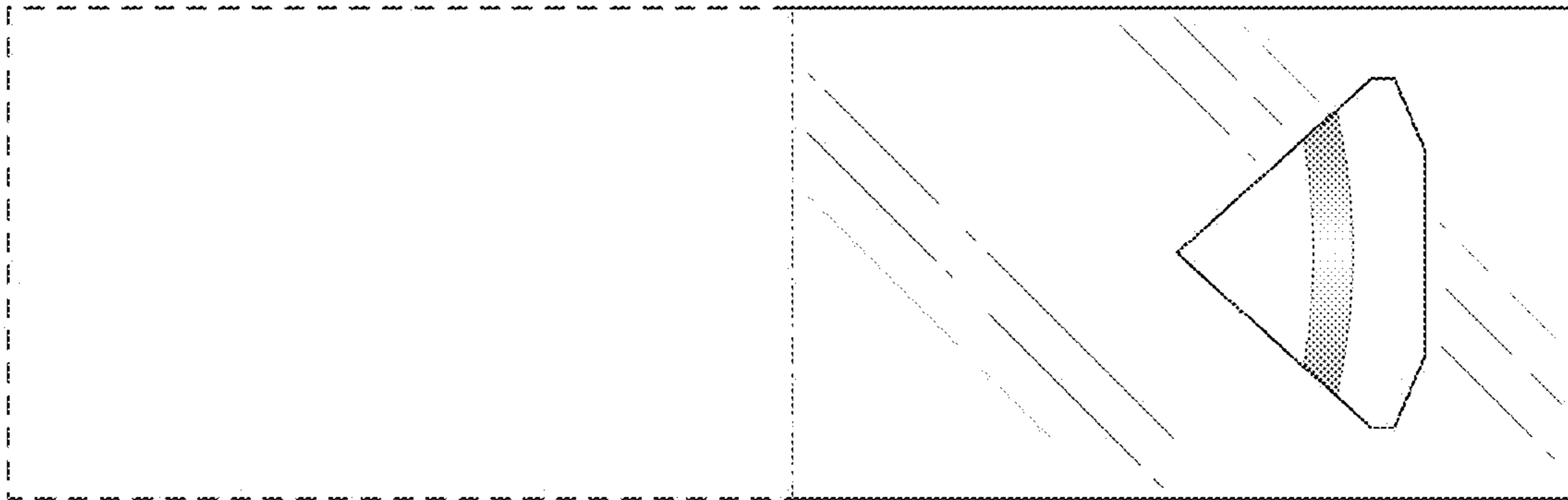


FIG. 30

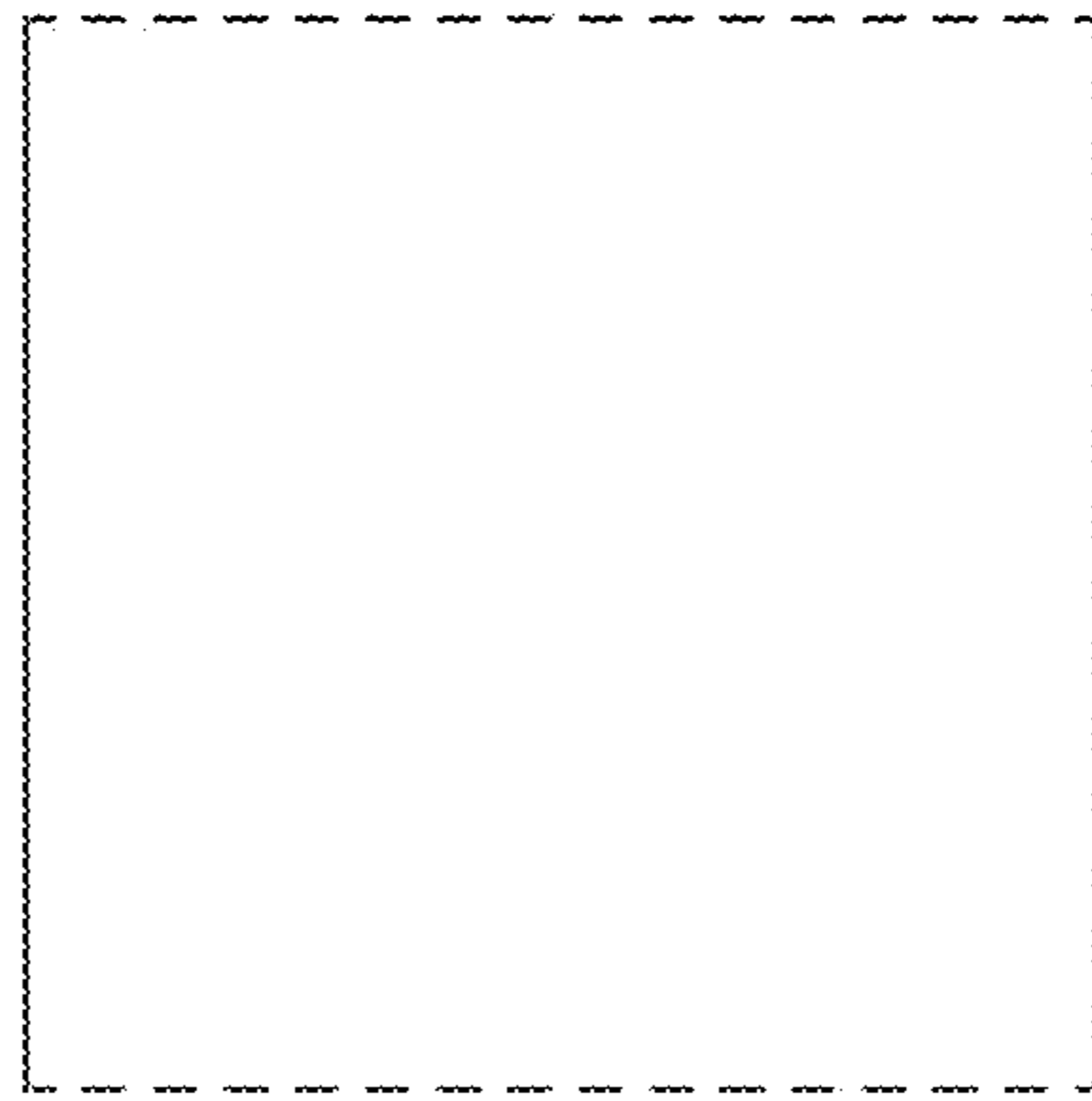


FIG. 31



FIG. 32

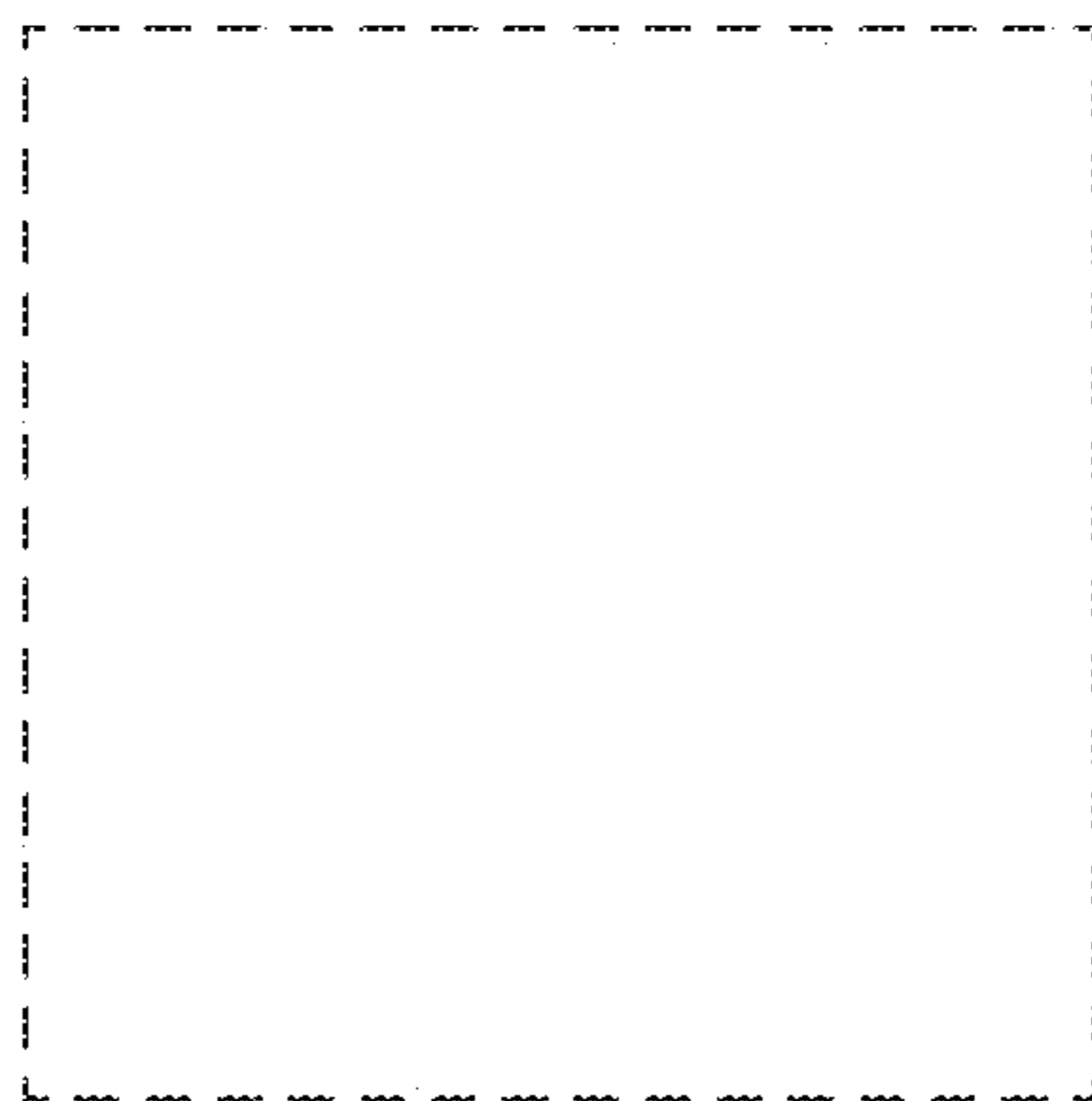


FIG. 33

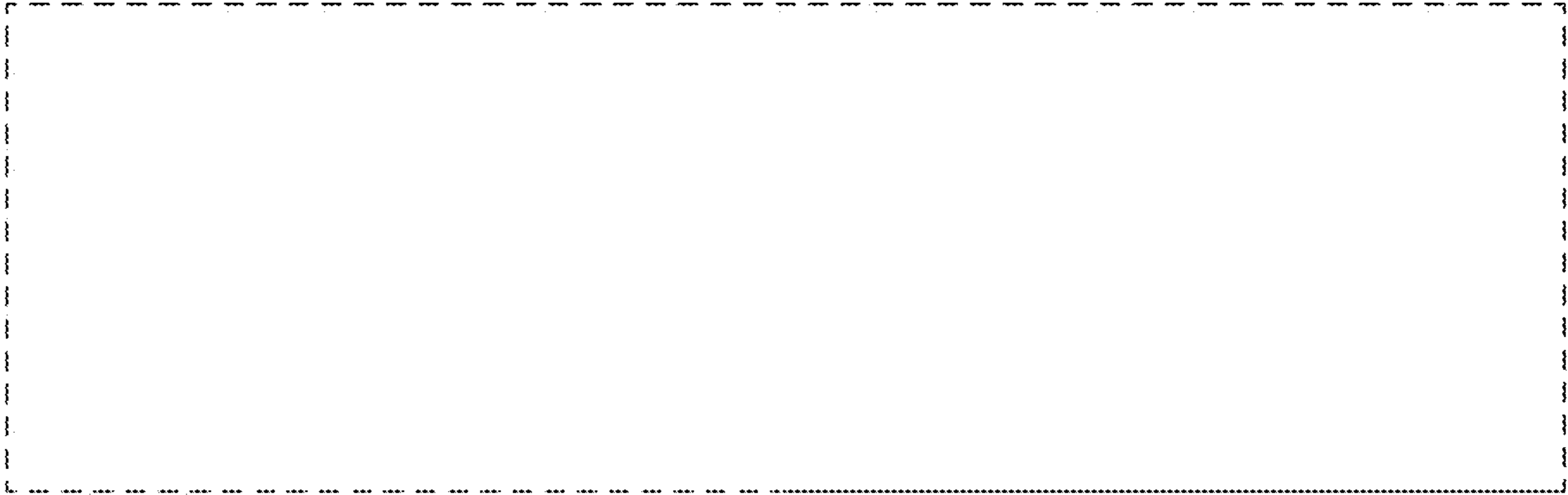


FIG. 34

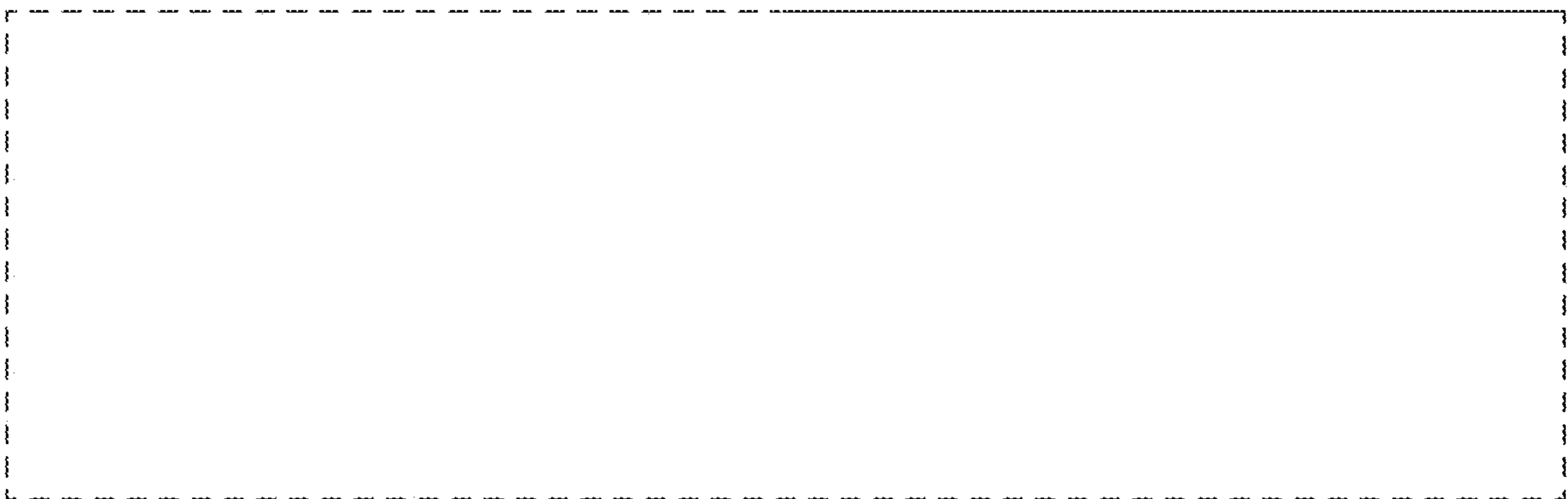


FIG. 35

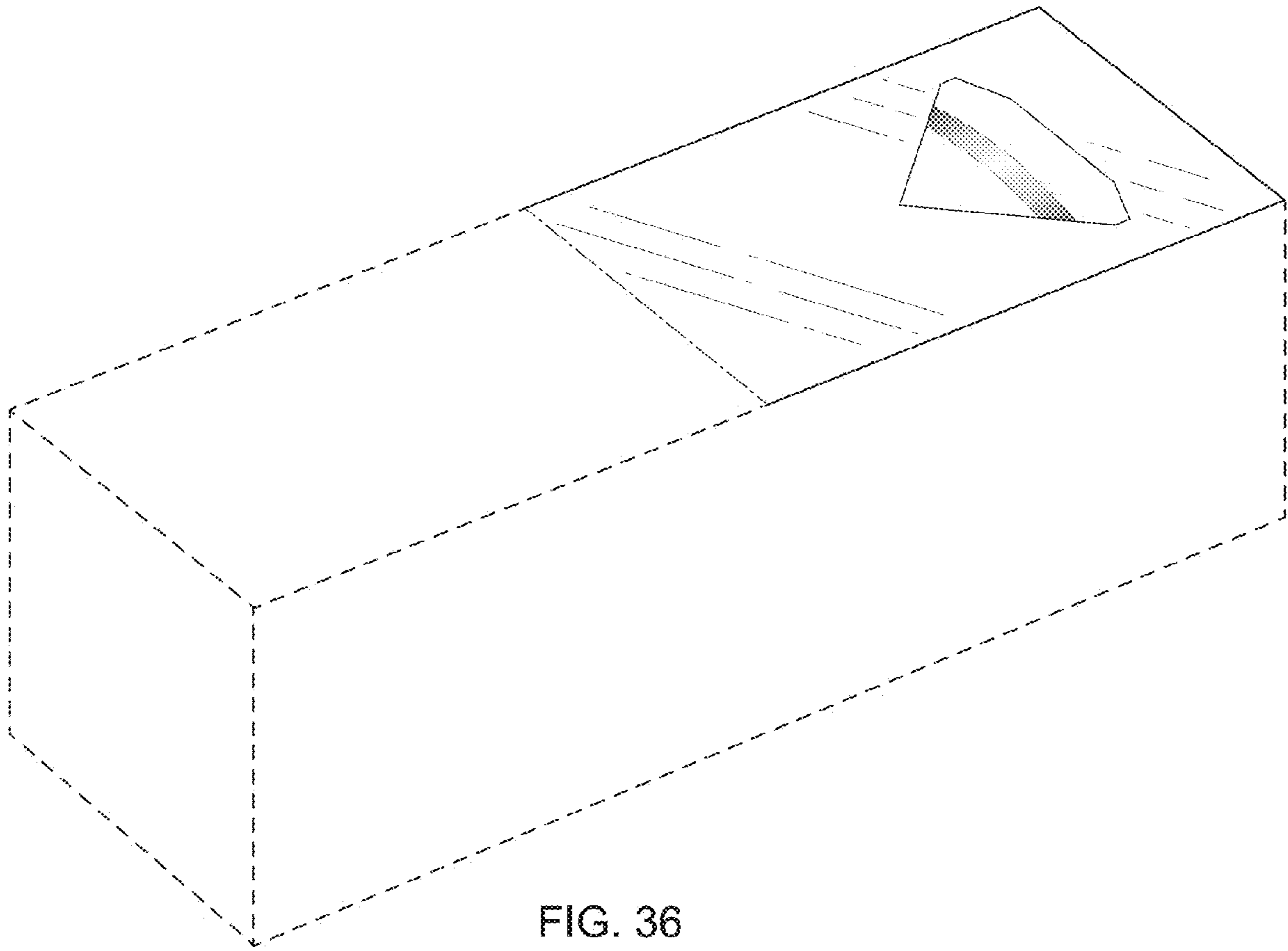


FIG. 36

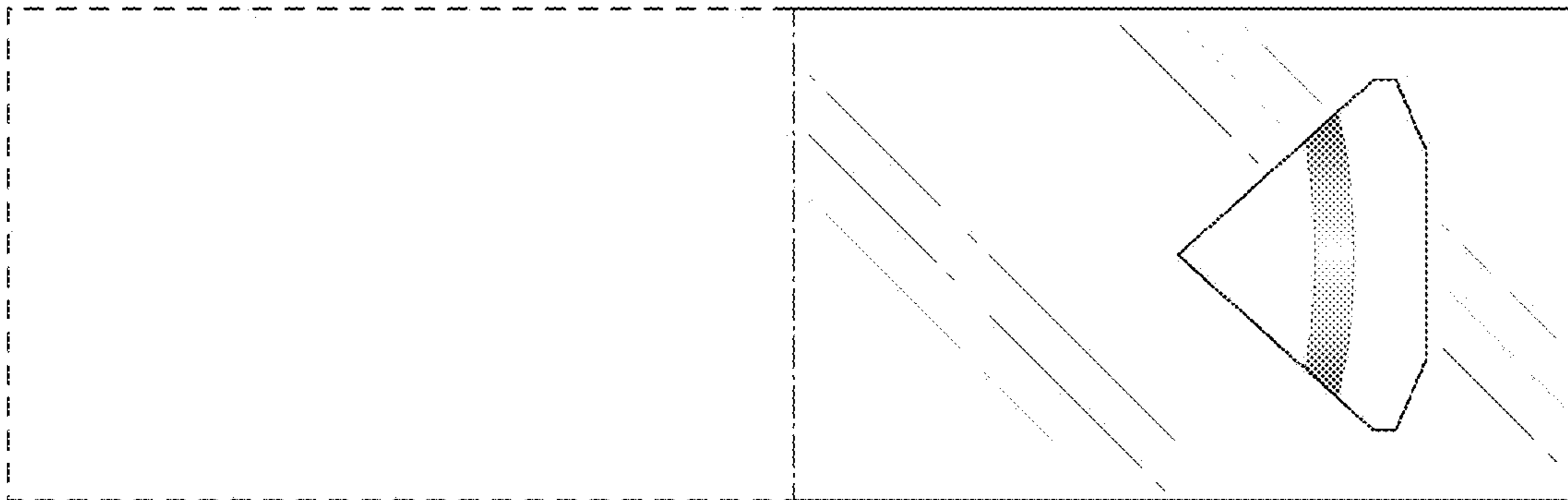


FIG. 37



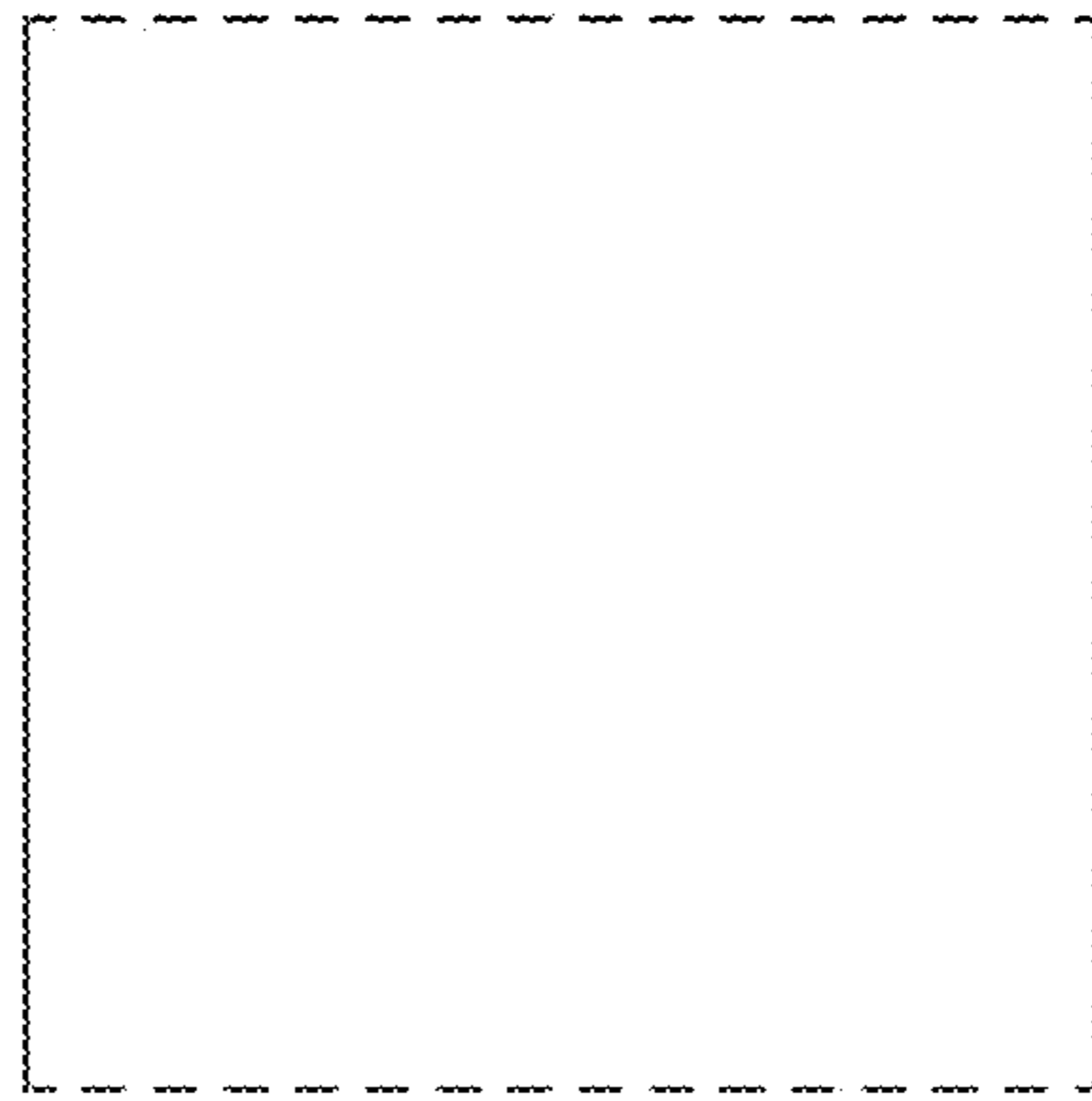


FIG. 38



FIG. 39

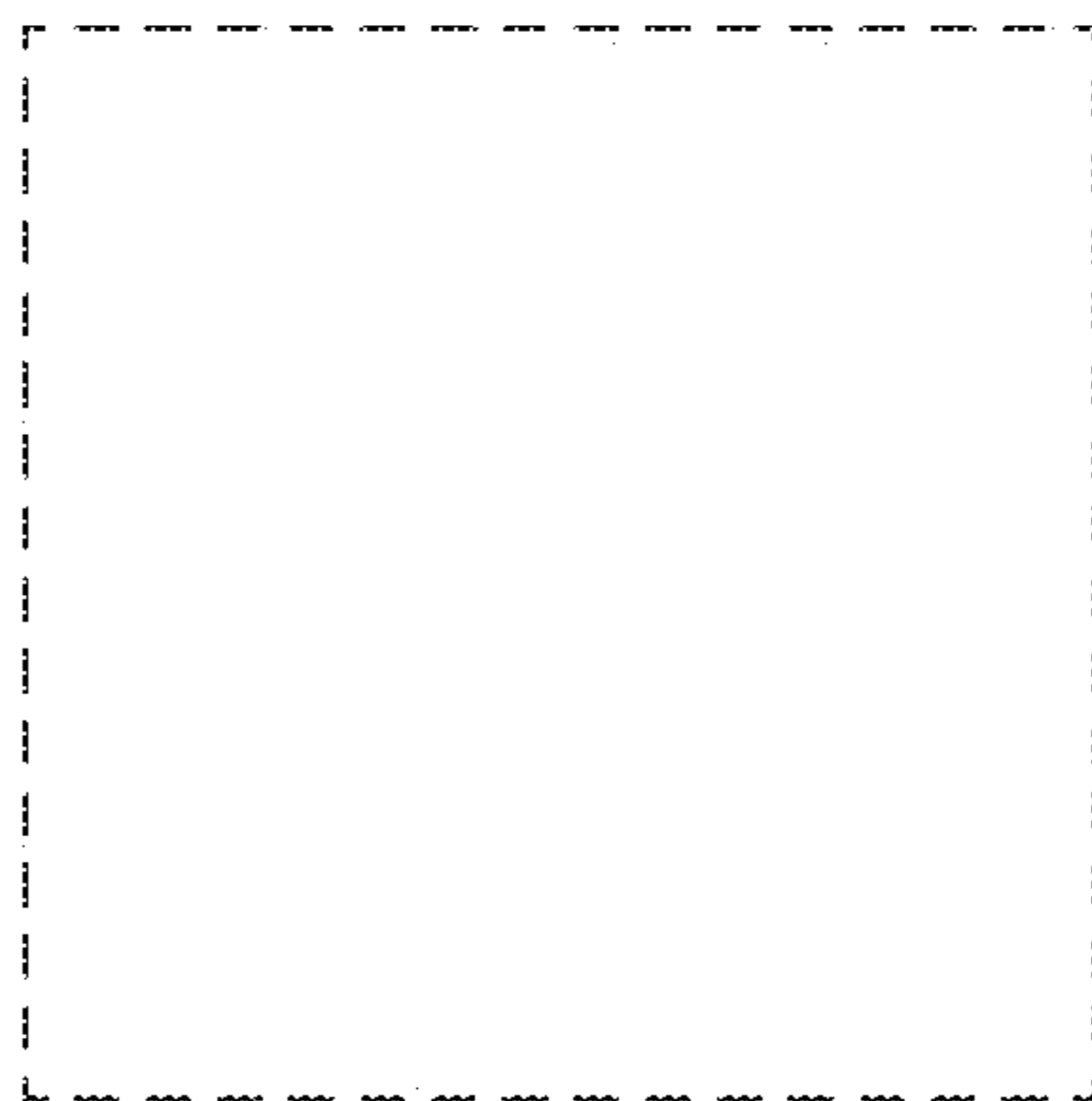


FIG. 40

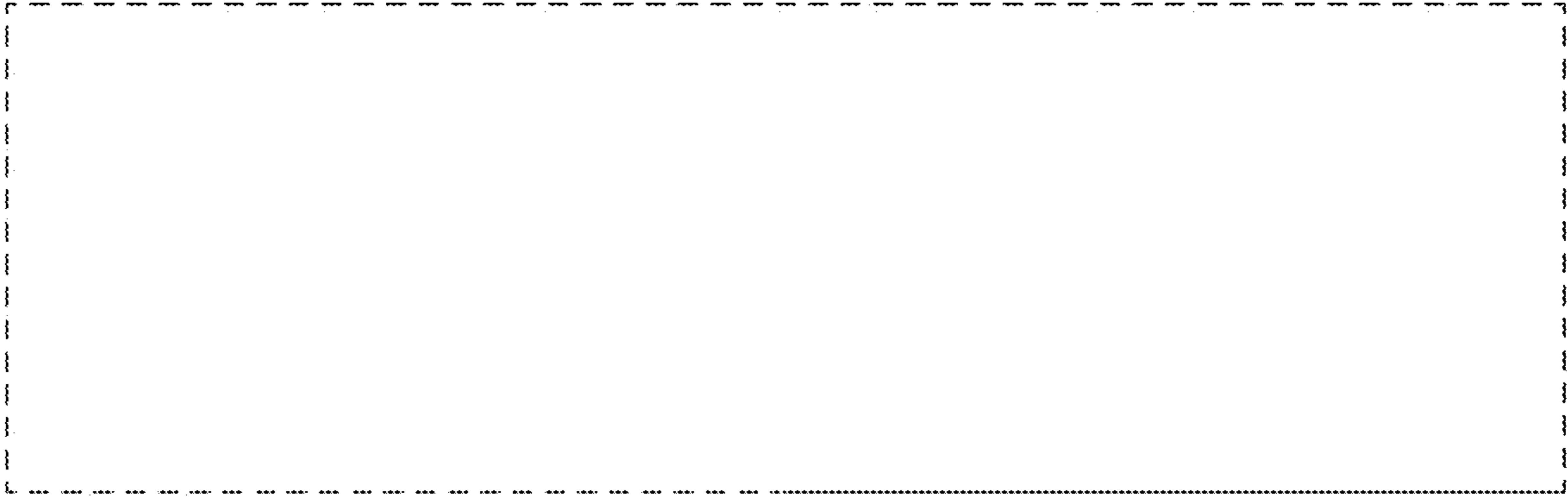


FIG. 41



FIG. 42

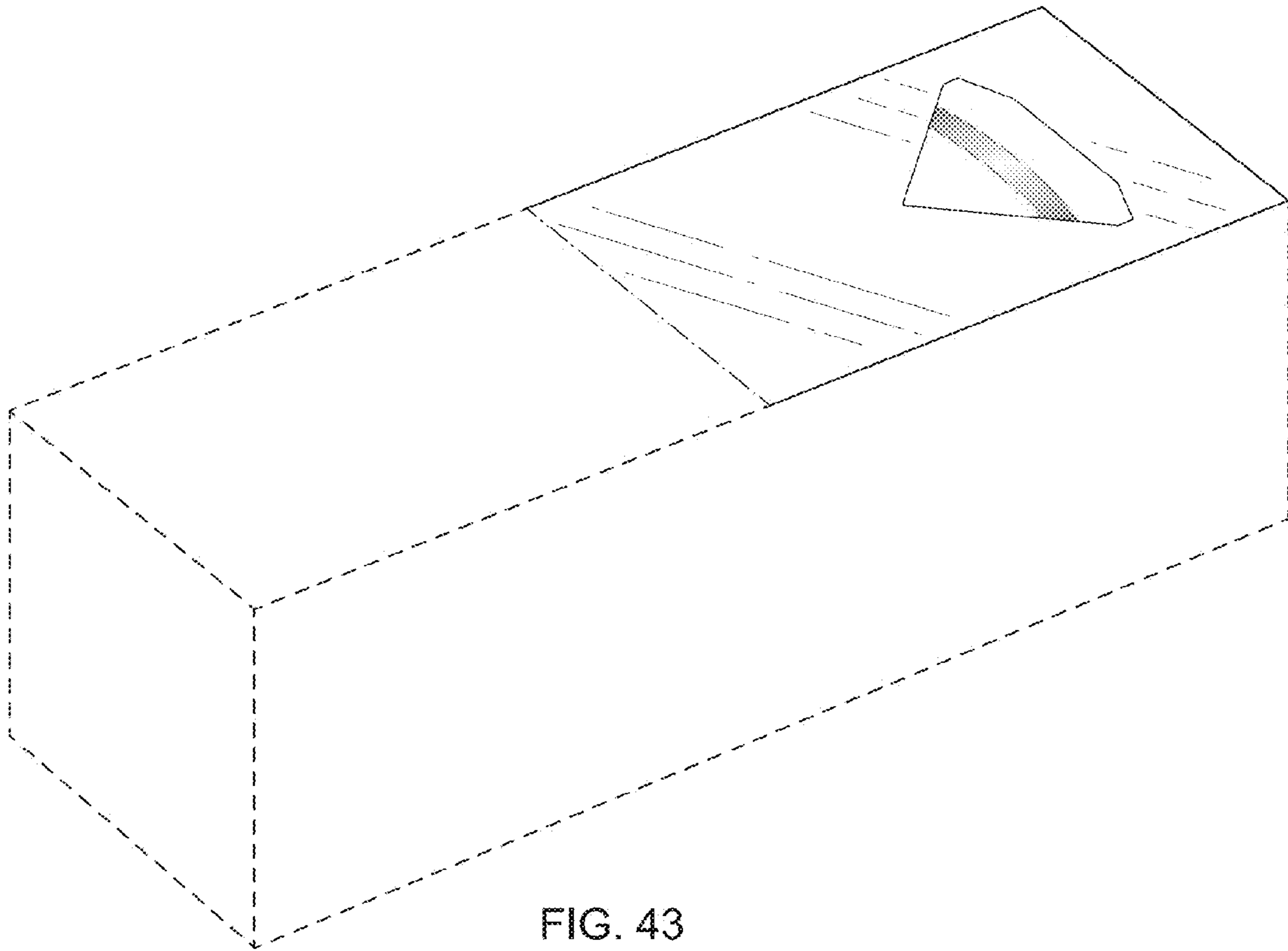


FIG. 43

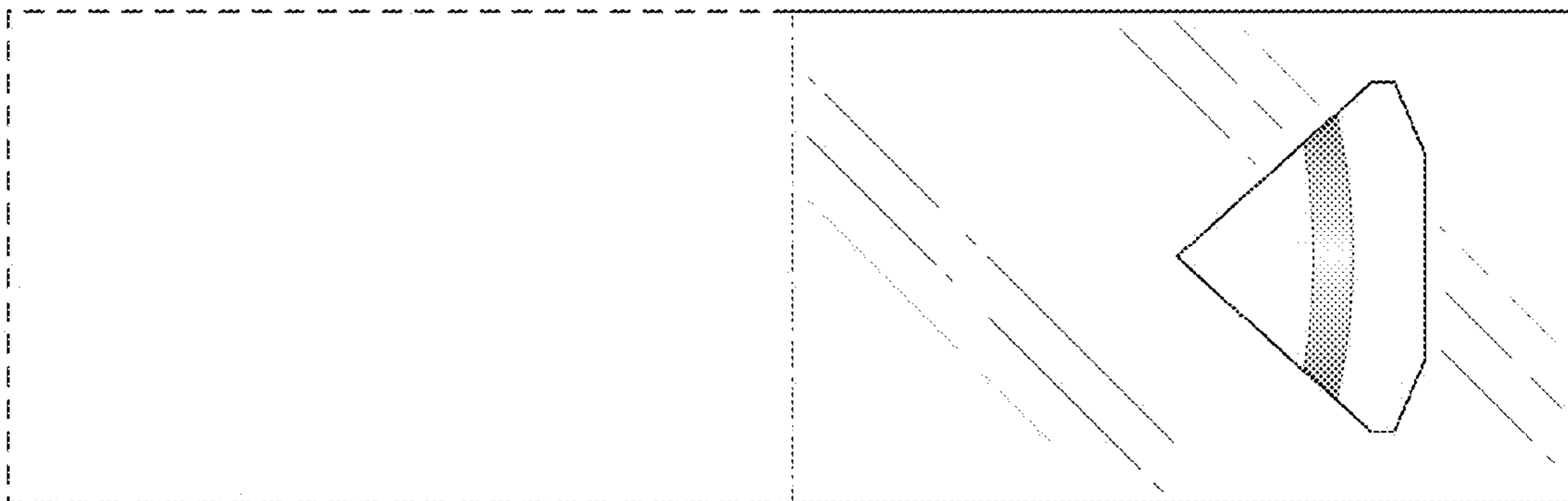


FIG. 44

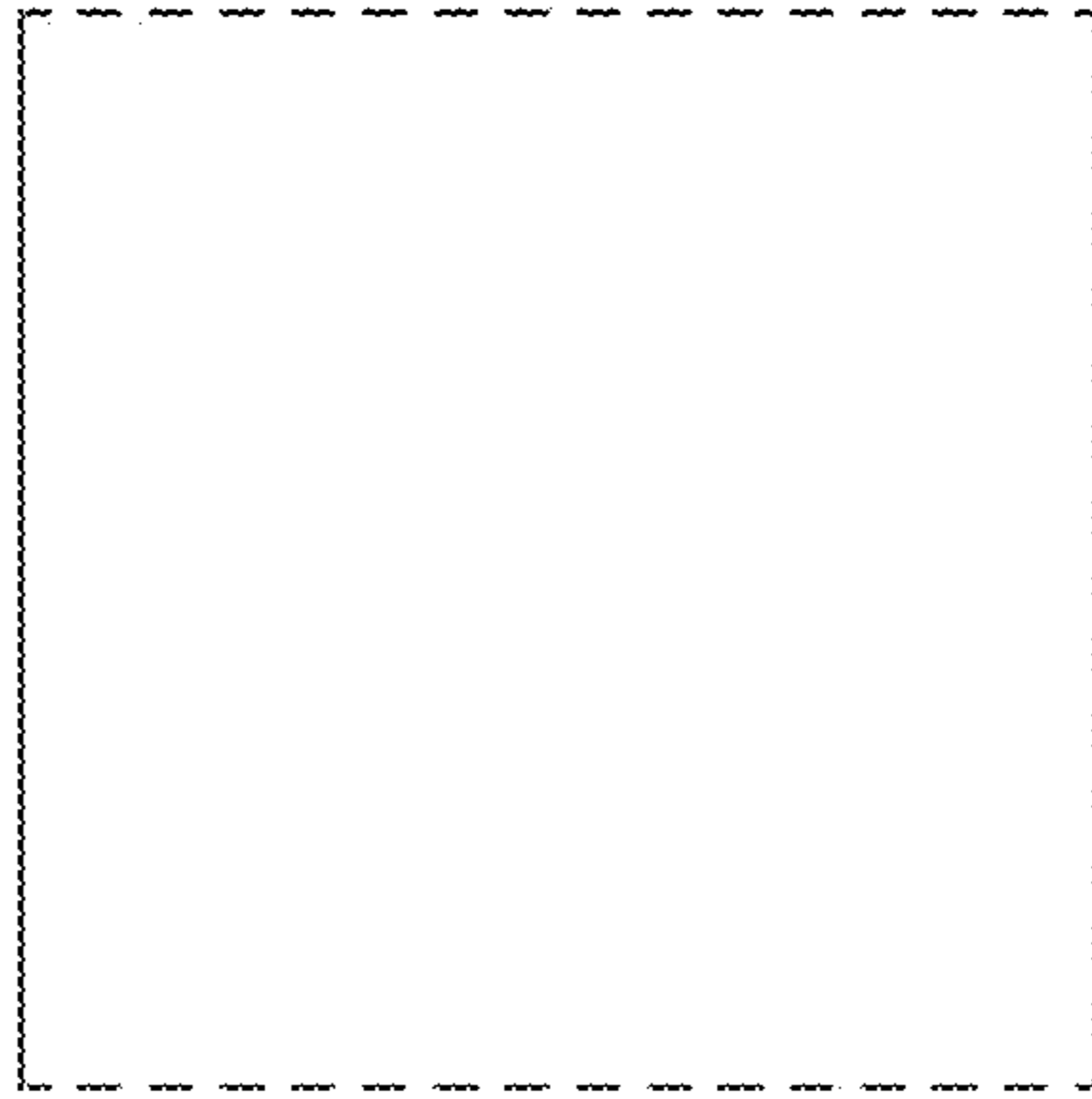


FIG. 45

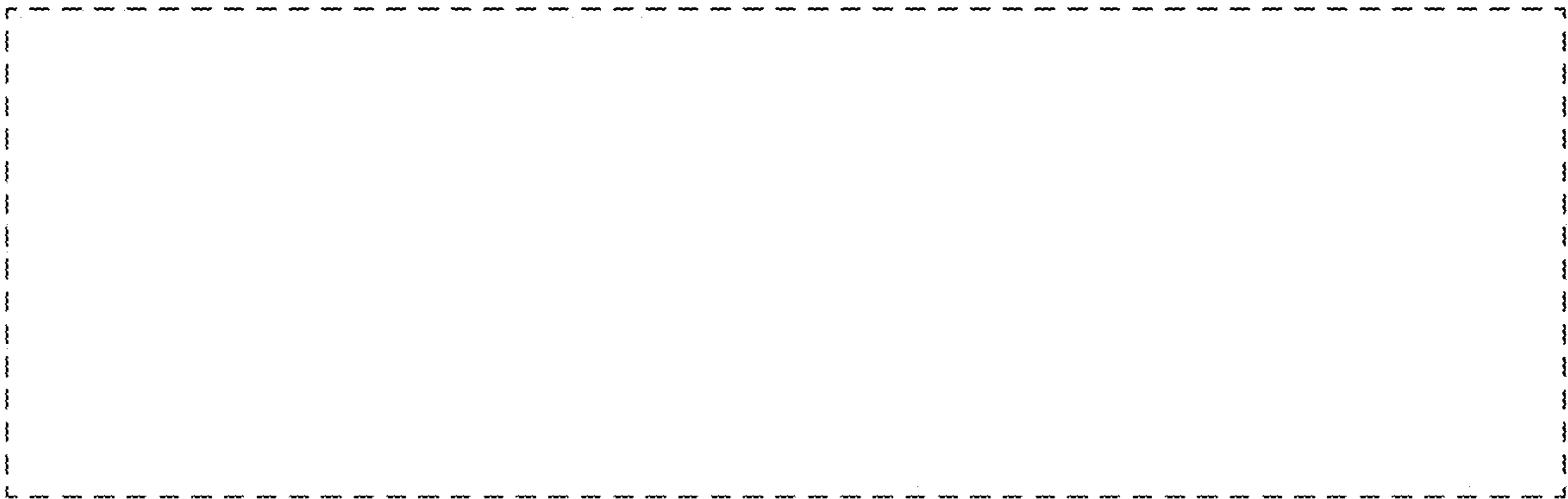


FIG. 46

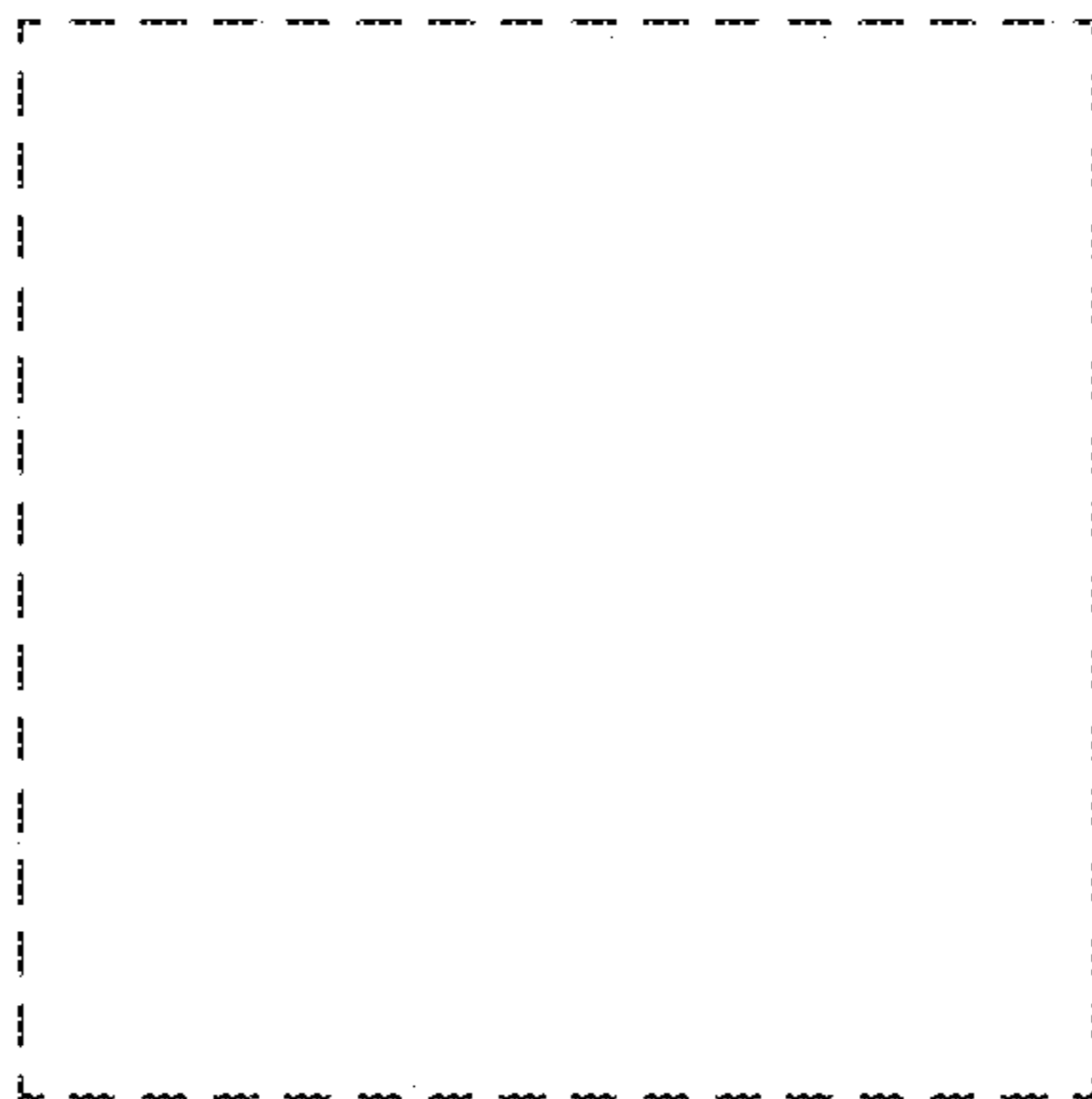


FIG. 47

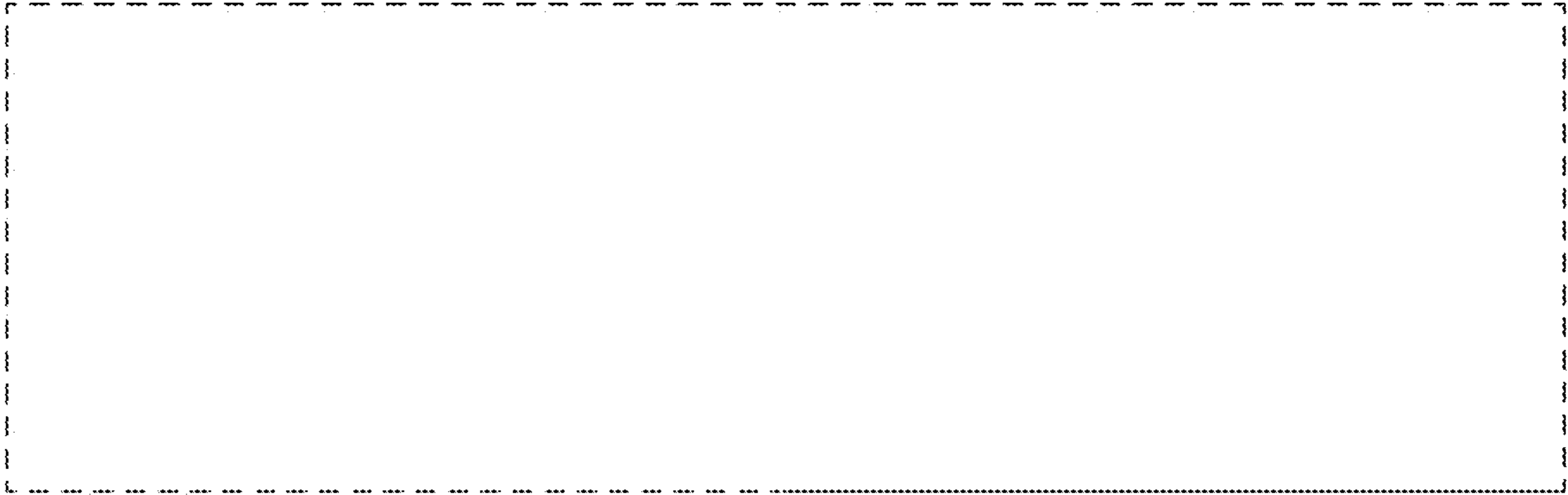


FIG. 48

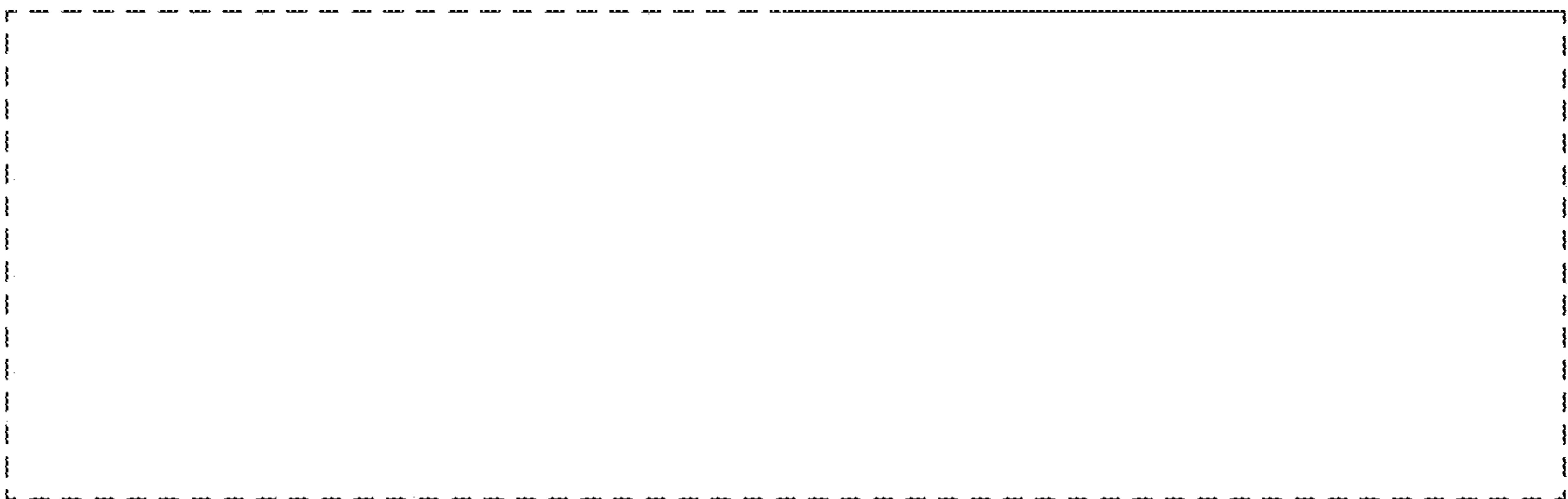


FIG. 49