



US00D980053S

(12) **United States Design Patent** (10) **Patent No.:** **US D980,053 S**
McElveen, II et al. (45) **Date of Patent:** **** Mar. 7, 2023**

(54) **UNIVERSAL CONDUIT STRAP**

- (71) Applicant: **Halex/Scott Fetzer Company**,
Harrison, OH (US)
- (72) Inventors: **David Vaughn McElveen, II**,
Cincinnati, OH (US); **Daniel Felipe Restrepo**,
Cincinnati, OH (US); **Kyle James Roepken**,
Centerville, OH (US)
- (73) Assignee: **Halex/Scott Fetzer Company**,
Harrison, OH (US)

(**) Term: **15 Years**

(21) Appl. No.: **29/712,108**

(22) Filed: **Nov. 5, 2019**

(51) **LOC (14) Cl.** **08-08**

(52) **U.S. Cl.**

USPC **D8/396**

(58) **Field of Classification Search**

USPC D8/44, 72, 73, 394-6, 349, 352, 382;
D11/214, 215; D16/242, 245;
D23/259-67

CPC . H02G 3/32; F16L 3/04; F16B 41/002; F16B
7/18; F16B 43/00; F16B 2200/403; Y10T
24/10; Y10T 29/49945; Y10T 403/45;
Y10T 403/32155; Y10T 403/32606

See application file for complete search history.

(56) **References Cited**

U.S. PATENT DOCUMENTS

- 1,476,836 A 12/1923 Pleister
- 2,310,434 A 2/1943 Hyman
- 2,550,001 A 4/1951 Button

(Continued)

FOREIGN PATENT DOCUMENTS

- CA 191757 * 1/2022
- CN 306271910 * 1/2021

(Continued)

OTHER PUBLICATIONS

Mighty-Hold™ Dual Universal Steel One Hole Strap, Google.com, [online], [site visited May 16, 2022], Available from internet URL: <https://www.reynoldsonline.com/Product/bridgeport-usd-4461?option=bridgeport-usd-4461> (Year: NA).*

(Continued)

Primary Examiner — Michael A. Pratt

(74) *Attorney, Agent, or Firm* — Fitch, Even, Tabin & Flannery, LLP

(57) **CLAIM**

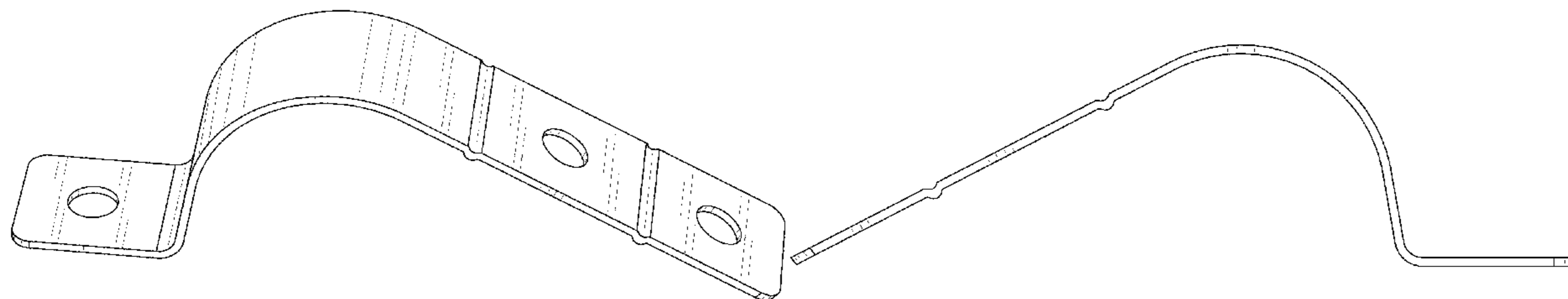
We claim the ornamental design for a universal conduit strap, as shown and described.

DESCRIPTION

FIG. 1 is a top perspective view of a universal conduit strap with end portion not bent;
 FIG. 2 is a left-side elevation view thereof;
 FIG. 3 is a right-side elevation view thereof;
 FIG. 4 is a front elevation view thereof;
 FIG. 5 is a rear elevation view thereof;
 FIG. 6 is a top plan view thereof;
 FIG. 7 is a bottom plan view thereof;
 FIG. 8 is a bottom perspective view thereof;
 FIG. 9 is a top perspective view of the universal conduit strap with end portion bent;
 FIG. 10 is a left-side elevation view thereof;
 FIG. 11 is a top perspective view of the universal conduit strap with end and middle portion bent and securing a small size conduit to a worksurface; and,
 FIG. 12 is a left-side elevation view of thereof.

The portions shown in broken lines in the figures depict unclaimed environmental subject matter, are for illustrative purposes only, and form no part of the claimed design.

1 Claim, 11 Drawing Sheets



(56)

References Cited

U.S. PATENT DOCUMENTS

2,681,196 A 6/1954 Lind
 2,961,211 A 11/1960 Emery
 3,016,220 A 1/1962 Rose
 3,144,695 A * 8/1964 Budwig F16L 3/2332
 292/307 R
 3,185,420 A 5/1965 Stewart
 3,232,569 A * 2/1966 Deardorf F16L 3/227
 248/74.1
 3,243,151 A 3/1966 Varney
 3,376,004 A * 4/1968 Goldman F16L 3/123
 248/62
 3,430,905 A 3/1969 Pepe
 3,719,971 A * 3/1973 Lodi F16L 3/1236
 248/74.1
 3,802,655 A 4/1974 Schuplin
 4,141,107 A * 2/1979 Sheiman E05D 5/14
 16/376
 4,370,082 A 1/1983 Sundberg
 4,373,235 A 2/1983 Korgaonkar
 5,113,717 A * 5/1992 Plamper F16L 3/2235
 248/68.1
 5,188,317 A * 2/1993 Roth H02G 3/26
 248/62
 5,297,890 A * 3/1994 Commins F16L 3/12
 403/384
 5,390,876 A * 2/1995 Hatano F16L 3/1075
 248/74.1
 5,494,245 A * 2/1996 Suzuki B60R 16/0215
 248/68.1
 5,669,589 A 9/1997 Janssen
 5,897,082 A 4/1999 Losada
 6,010,100 A 1/2000 Merritt
 D438,093 S 2/2001 Mandujano
 6,247,274 B1 * 6/2001 Thompson F16L 3/24
 52/39
 6,311,935 B1 * 11/2001 Mullen, Jr. H02G 3/32
 248/74.1
 6,415,560 B1 * 7/2002 Rinderer F16B 7/18
 403/220
 D491,442 S 6/2004 Cordero
 6,751,921 B1 * 6/2004 Iwakawa E04H 9/14
 248/65

7,122,739 B2 * 10/2006 Franks, Jr. H05K 5/02
 174/136
 7,559,512 B1 7/2009 Digirolamo
 7,678,998 B2 * 3/2010 Lind H01B 7/40
 174/117 F
 D616,967 S 6/2010 Madara
 7,744,042 B2 * 6/2010 Heath F16L 3/127
 248/65
 7,770,851 B2 8/2010 Michaud
 D644,613 S 9/2011 Kiely
 8,033,512 B2 10/2011 Lien
 8,240,701 B2 * 8/2012 Cheal B60R 21/201
 280/730.2
 8,413,933 B2 4/2013 Benne
 8,882,059 B2 11/2014 Schmidt
 D742,213 S 11/2015 Sasanecki
 9,772,049 B2 * 9/2017 Billimack F16L 3/04
 9,834,921 B2 * 12/2017 Nehls F16B 3/00
 10,125,897 B2 11/2018 Schmidt
 10,376,048 B2 8/2019 Kessell
 D866,310 S 11/2019 Hikoyama
 10,865,558 B2 * 12/2020 Vilasineekul E04B 1/40
 D945,255 S * 3/2022 McElveen, II D8/396
 D945,873 S 3/2022 MacDonald
 2004/0206856 A1 10/2004 Cordero
 2010/0260573 A1 * 10/2010 Gardner F16L 3/04
 248/74.1
 2015/0108288 A1 4/2015 Lee

FOREIGN PATENT DOCUMENTS

KR 301149242.0000 * 2/2022
 NZ 4243190001 4/2018
 WO 2010082818 7/2010

OTHER PUBLICATIONS

National/Spectrum Brands HHI N266-304 1-1/2x5/8-Inch Corner
 Iron, Google.com, [online], [site visited May 16, 2022], Available
 from internet URL: https://www.amazon.com/NATIONAL-SPECTRUM-BRANDS-HHI-N266-304/dp/B002QC7NDM/ref=asc_df_B002QC7NDM/?tag=hyprod-20&linkCode=df0&hvadid=198116959411 (Year: NA).*

* cited by examiner

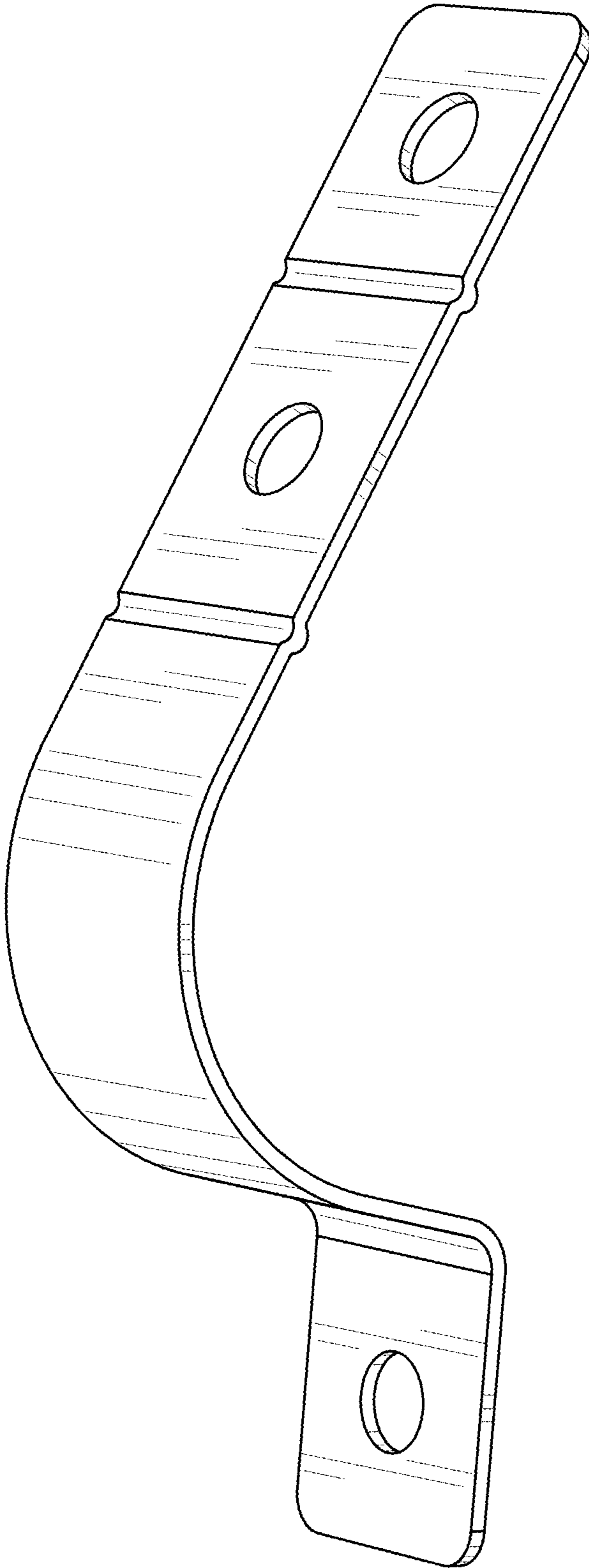


FIG. 1

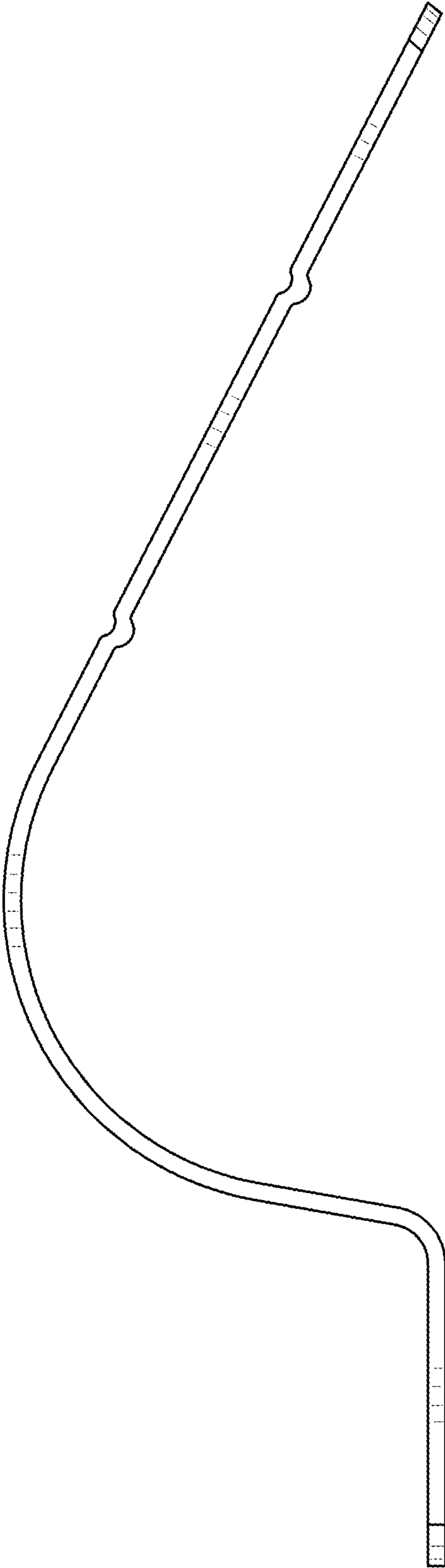


FIG. 2

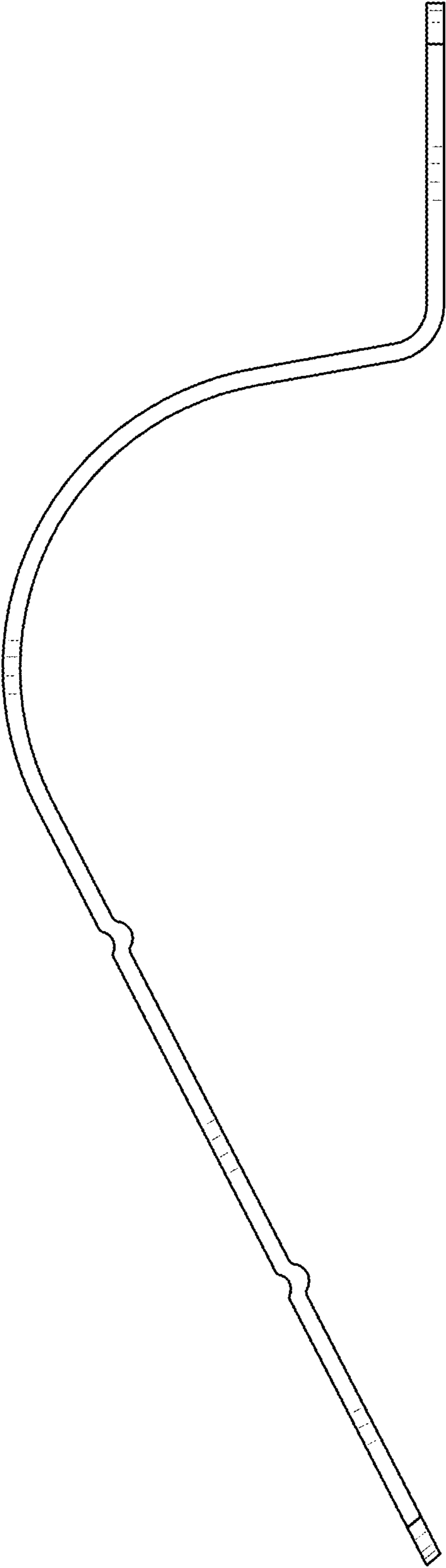


FIG. 3

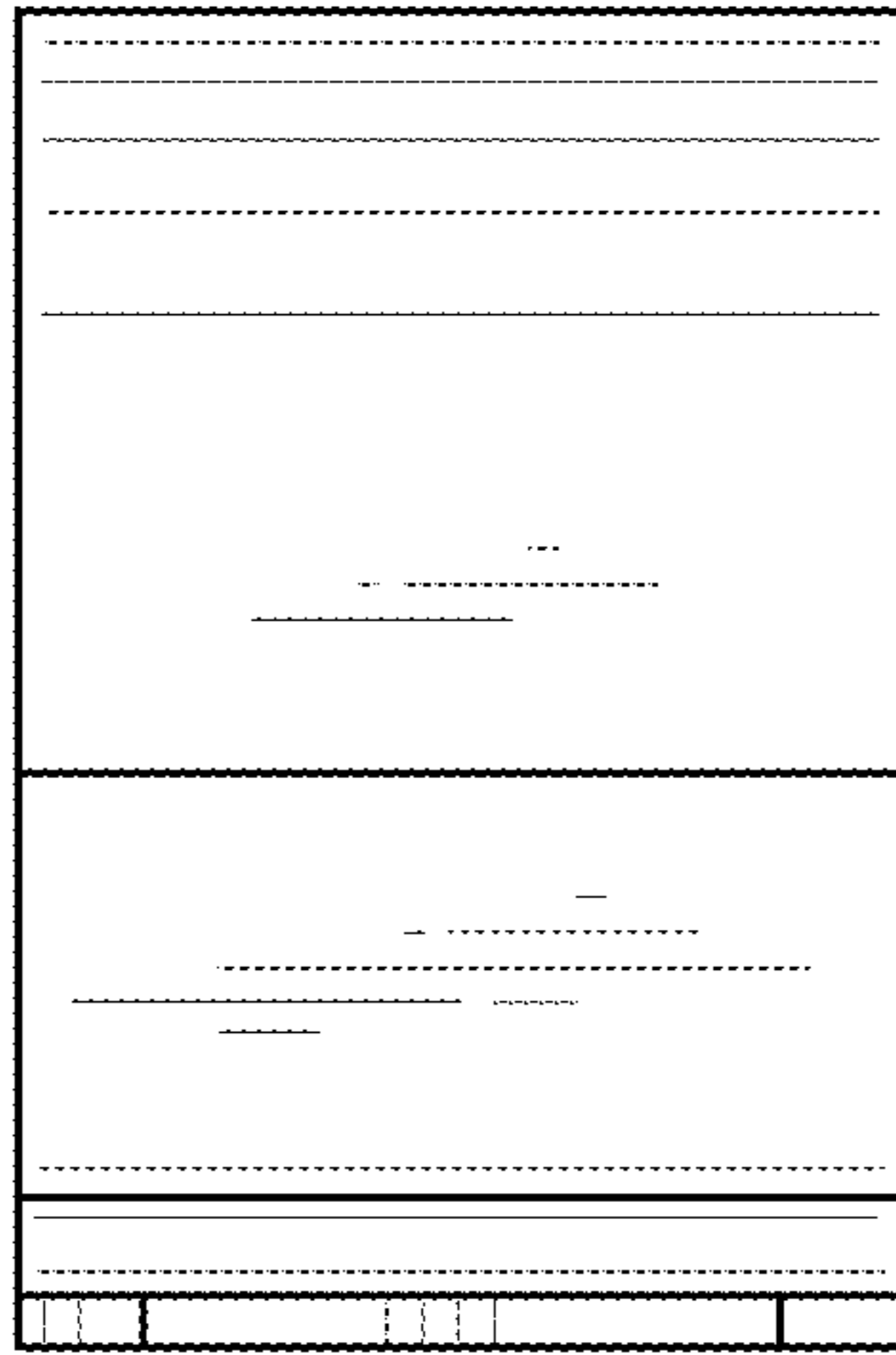


FIG. 4

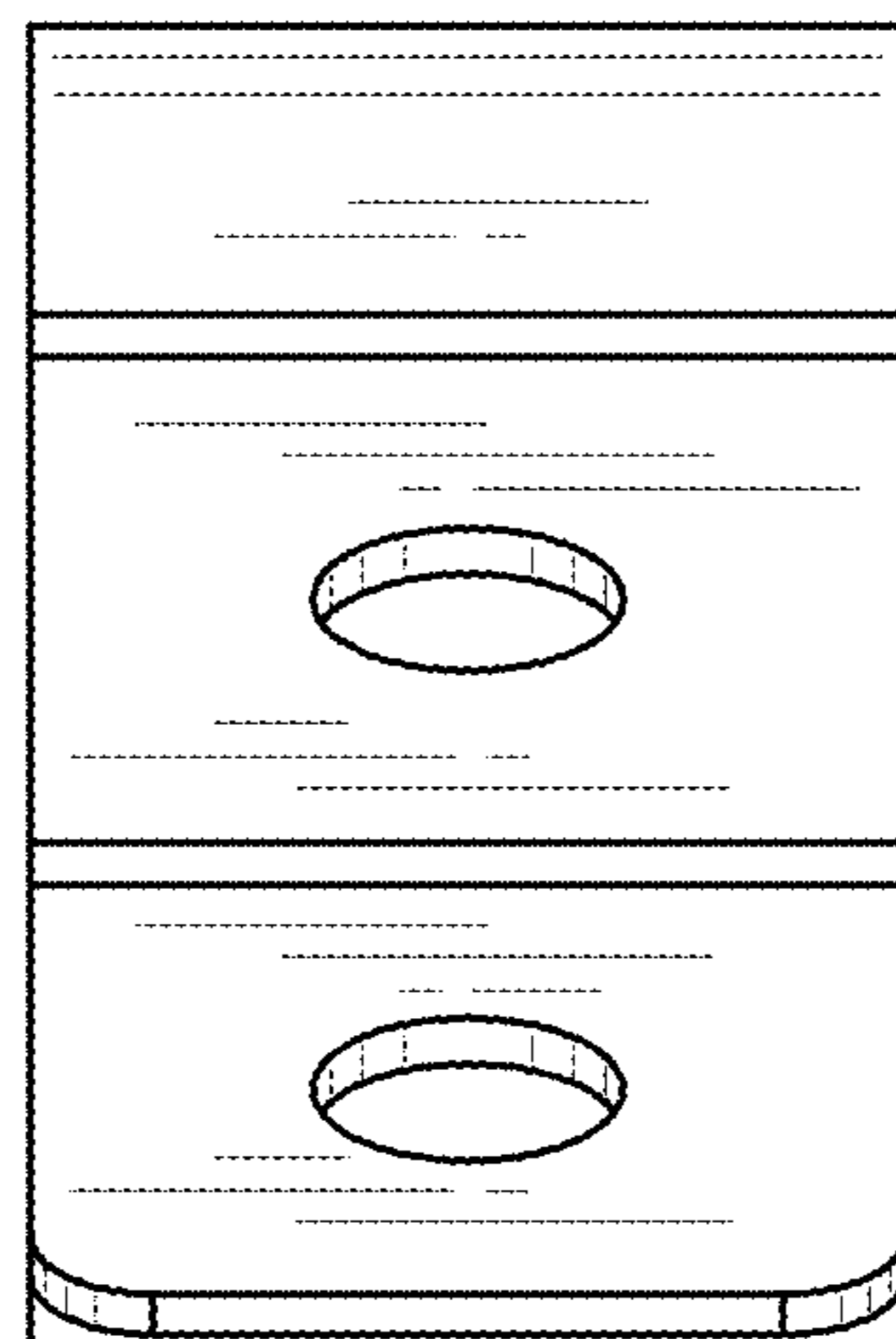


FIG. 5

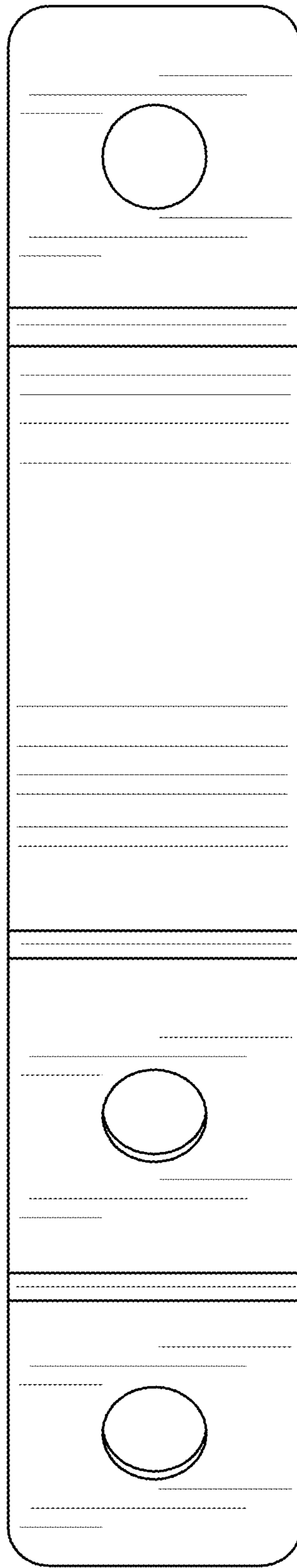


FIG. 6

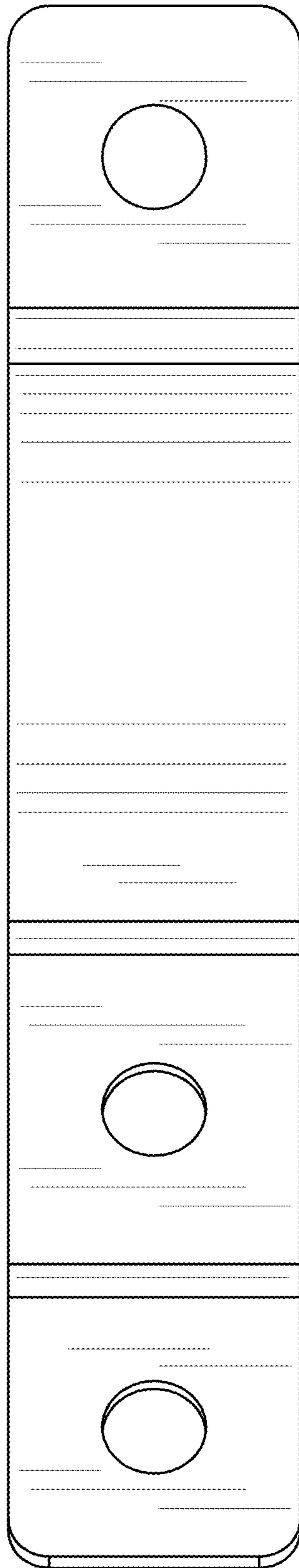


FIG. 7

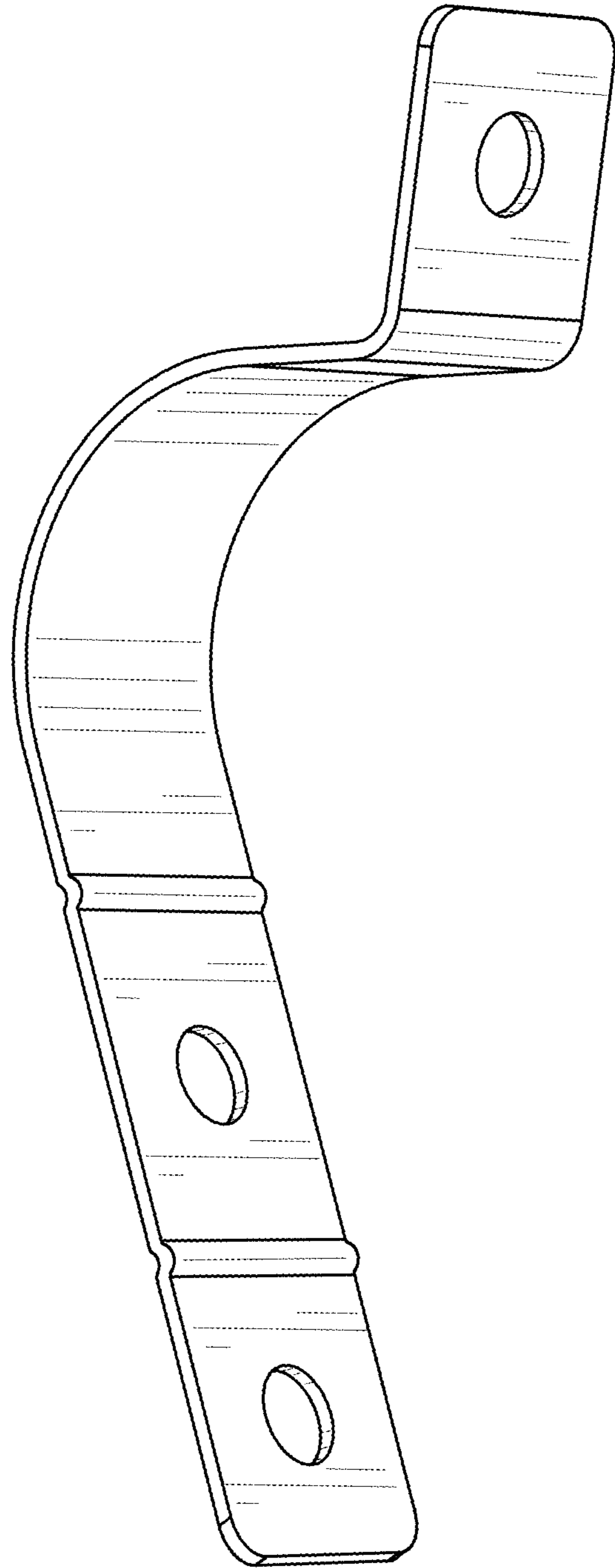


FIG. 8

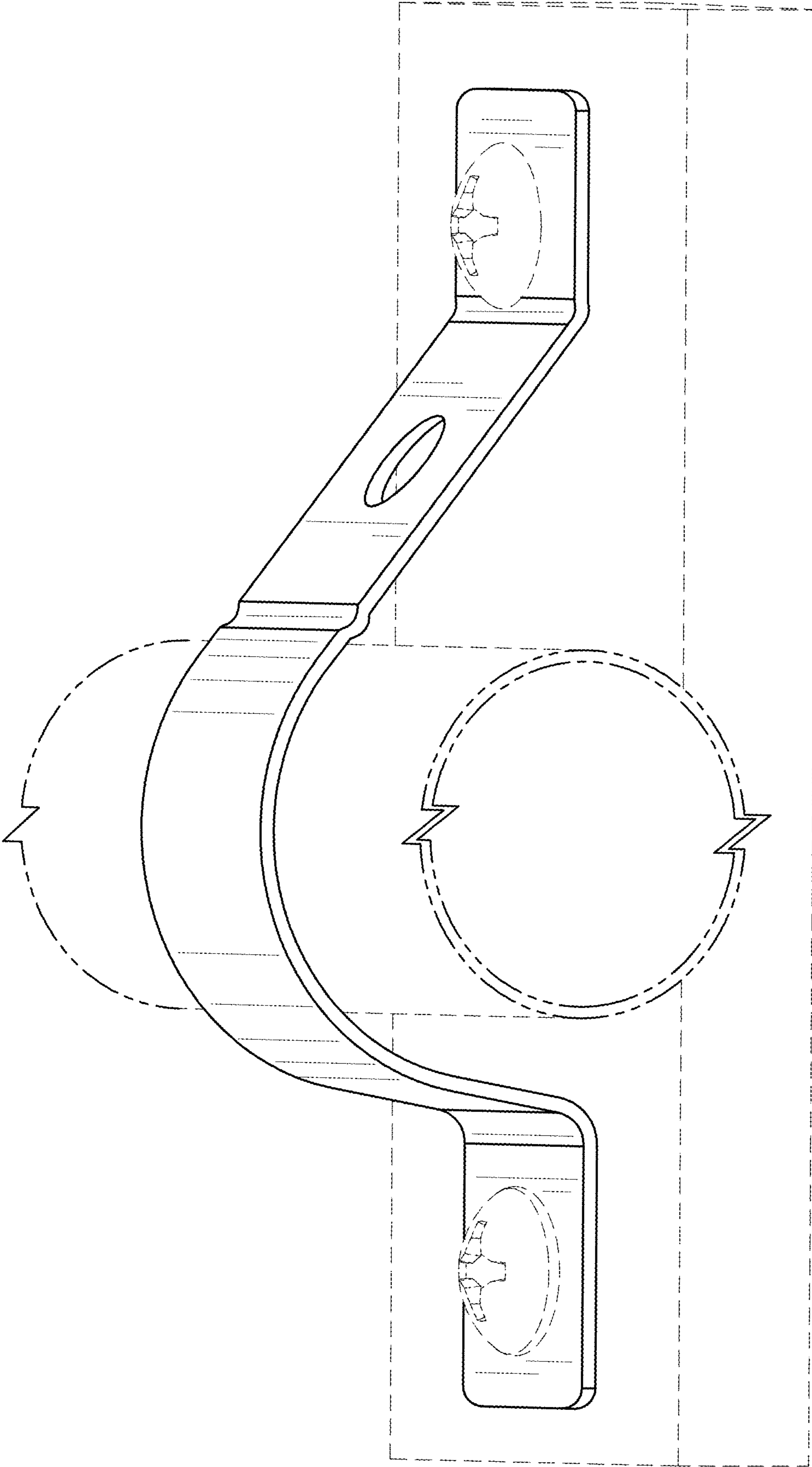


FIG. 9

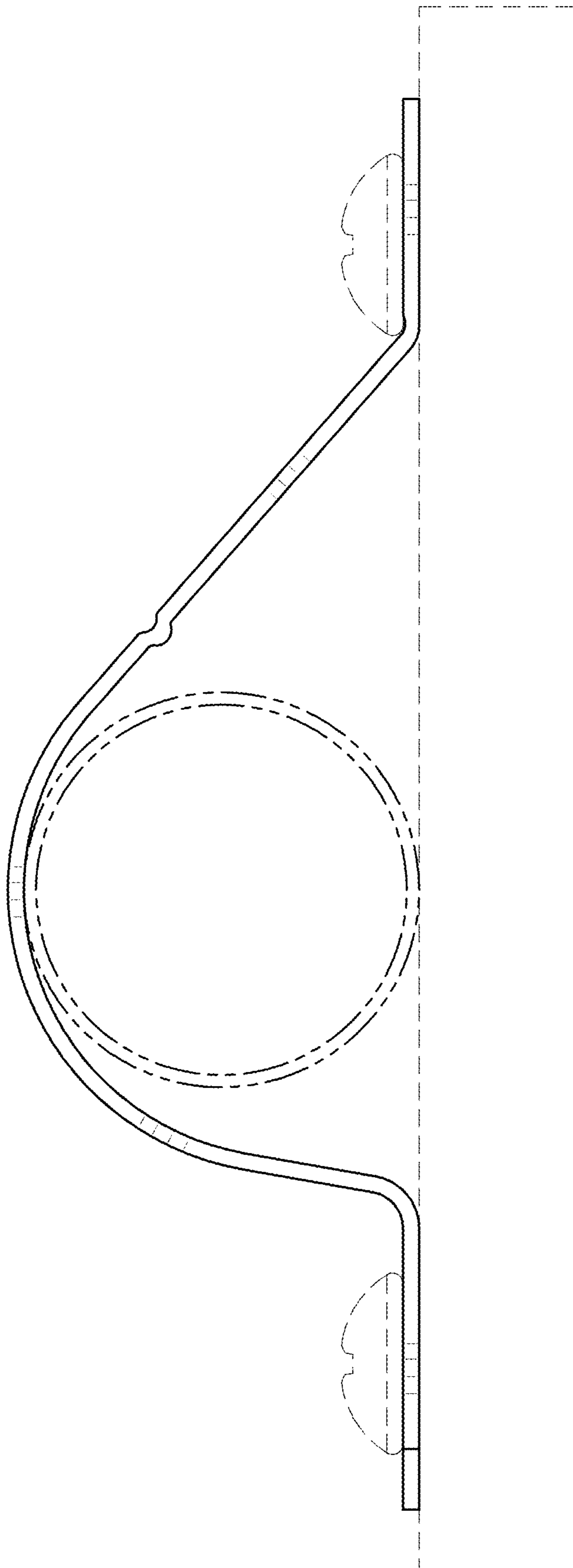


FIG. 10

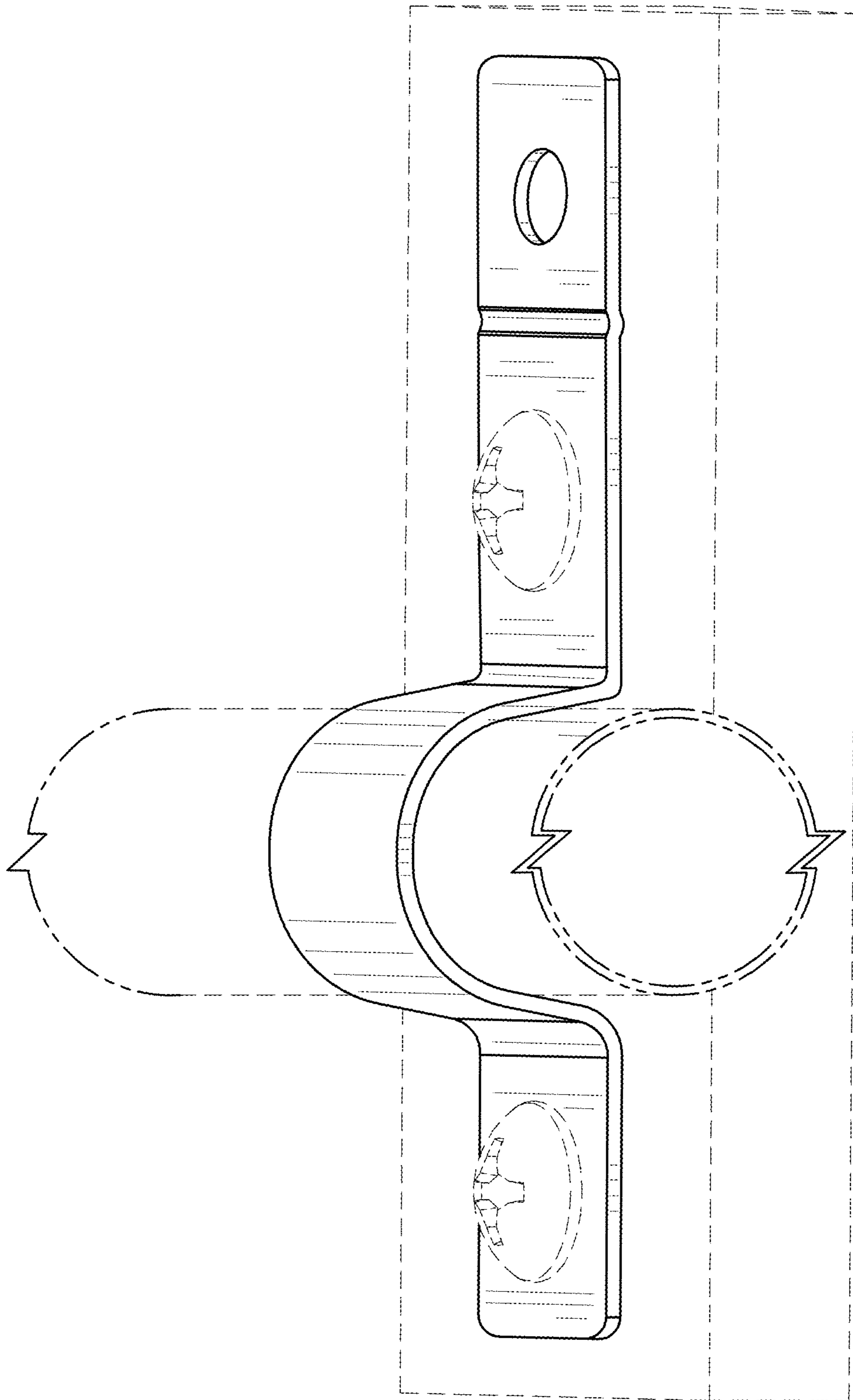


FIG. 11

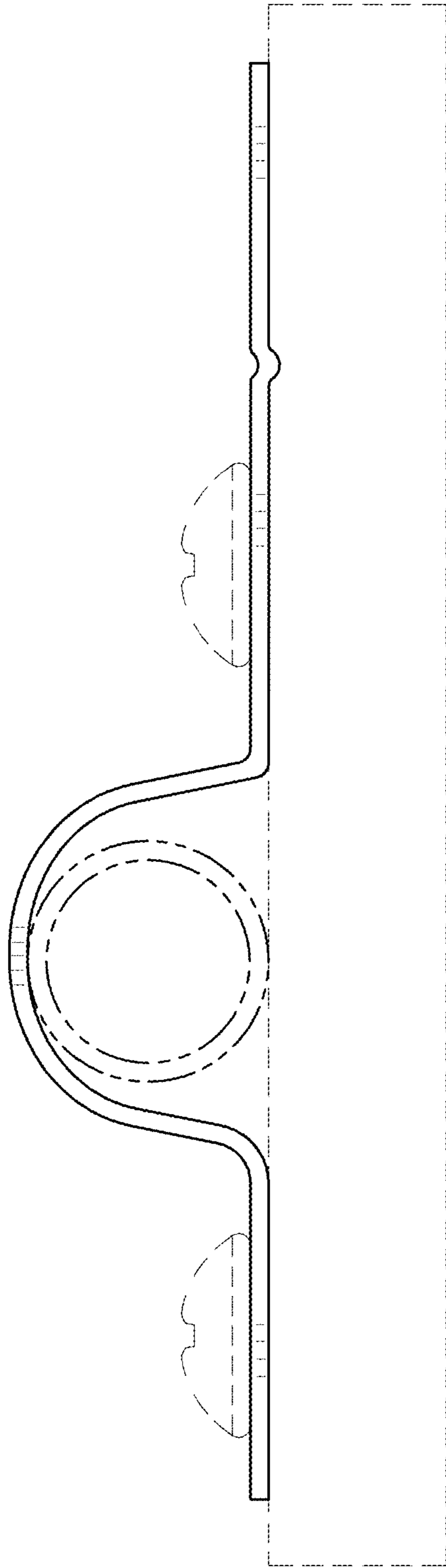


FIG. 12