



US00D980052S

(12) **United States Design Patent**
Chen

(10) **Patent No.:** **US D980,052 S**
(45) **Date of Patent:** **** Mar. 7, 2023**

- (54) **PIPELINE HOLDER**
- (71) Applicants: **ITO BIOTECHNOLOGY CORP.**,
Kaohsiung (TW); **Yun-Cheng Chen**,
Kaohsiung (TW)
- (72) Inventor: **Yun-Cheng Chen**, Kaohsiung (TW)
- (73) Assignees: **ITO BIOTECHNOLOGY CORP.**,
Kaohsiung (TJ); **Yun-Cheng Chen**,
Kaohsiung (TW)
- (**) Term: **15 Years**
- (21) Appl. No.: **29/700,763**
- (22) Filed: **Aug. 6, 2019**
- (51) **LOC (14) Cl.** **08-08**
- (52) **U.S. Cl.**
USPC **D8/396**
- (58) **Field of Classification Search**
USPC D8/354, 356, 363, 373, 380, 382, 394,
D8/395, 396
CPC ... H01R 4/46; H01R 4/643; F16L 3/00; F16L
3/1091; F16L 3/1016; F16L 3/11; F16L
55/035; F16L 3/137; F16L 3/10; F16L
3/1207; F16L 3/12; F16L 3/16; B64D
37/32
See application file for complete search history.

- (56) **References Cited**
U.S. PATENT DOCUMENTS
4,403,378 A * 9/1983 Engman F01N 13/1805
D8/396
D273,938 S * 5/1984 Piper D8/396
4,787,583 A * 11/1988 Morton F16L 1/026
248/55
4,802,646 A * 2/1989 Cattani F16L 3/1203
248/316.5
4,927,182 A * 5/1990 Moore F16L 55/175
277/609

- D309,251 S * 7/1990 Palmer D8/367
- D331,322 S * 12/1992 Schmitt D6/345
- D333,087 S * 2/1993 Tekirian D8/394
- D335,882 S * 5/1993 Falcon D15/143
- 5,215,281 A * 6/1993 Sherman F16L 55/035
248/62
- 5,230,488 A * 7/1993 Condon F16L 3/12
248/74.1
- D348,384 S * 7/1994 Karsten D8/373
- 5,462,246 A * 10/1995 Schlenker F16L 3/1075
248/316.5
- D372,662 S * 8/1996 Atkinson D15/138
- D379,584 S * 6/1997 Lindquist C23F 13/18
D8/380
- D408,727 S * 4/1999 Sherman D8/396
- D412,433 S * 8/1999 Bredemeier D8/363
- D414,404 S * 9/1999 van de Lande D8/396
- D415,951 S * 11/1999 Kraine D8/354

(Continued)

Primary Examiner — Steven J Czyz

(74) *Attorney, Agent, or Firm* — Leong C. Lei

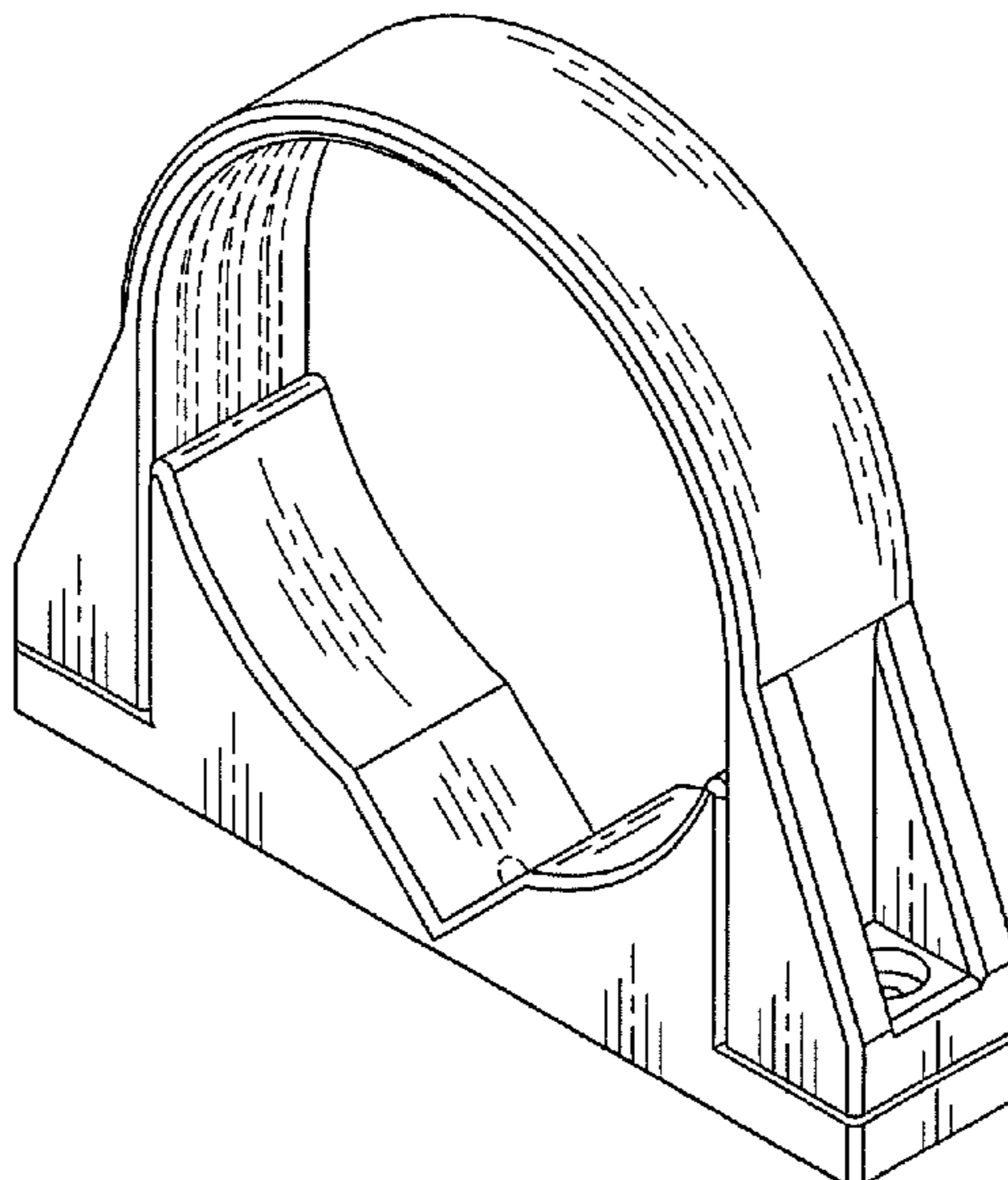
(57) **CLAIM**

The ornamental design for a pipeline holder, as shown and described.

DESCRIPTION

FIG. 1 is a perspective view of a pipeline holder showing my new design;
 FIG. 2 is a front elevational view thereof;
 FIG. 3 is a rear elevational view thereof;
 FIG. 4 is a top plan view thereof;
 FIG. 5 is a bottom plan view thereof;
 FIG. 6 is a left side elevational view thereof;
 FIG. 7 is a right side elevational view thereof; and,
 FIG. 8 is another perspective view thereof, showing the status while in use.
 The portions shown in broken lines form no part of the claimed design.

1 Claim, 5 Drawing Sheets



(56)

References Cited

U.S. PATENT DOCUMENTS

5,979,947 A * 11/1999 Bushouse F16L 25/04
 24/276
 D422,204 S * 4/2000 Holloway D8/356
 D436,028 S * 1/2001 Wagner D8/396
 D448,280 S * 9/2001 Bourgerie D8/382
 D450,233 S * 11/2001 Ward D8/373
 D455,111 S * 4/2002 McBride D8/356
 D493,707 S * 8/2004 Rasmussen D8/394
 D506,668 S * 6/2005 Black D8/354
 D510,699 S * 10/2005 Crain D8/382
 6,978,973 B1 * 12/2005 Gretz F16L 3/1203
 248/74.1
 D516,416 S * 3/2006 Friedline D8/380
 D516,903 S * 3/2006 Friedline D8/380
 D537,331 S * 2/2007 Hill D8/395
 D539,639 S * 4/2007 Nagle D8/396
 D552,453 S * 10/2007 Cronk D8/354
 D560,483 S * 1/2008 Mercier D8/395
 D569,713 S * 5/2008 Sandidge D6/550
 D587,564 S * 3/2009 Kodi D8/396
 D592,939 S * 5/2009 Kelleghan D8/356
 D614,947 S * 5/2010 Hennon D8/380
 7,770,848 B2 * 8/2010 Johnson F16L 3/1207
 248/65
 D628,050 S * 11/2010 Petersen D8/356
 7,896,399 B1 * 3/2011 Orsini F16L 55/18
 24/19
 D638,695 S * 5/2011 Woodrow D8/382
 D642,039 S * 7/2011 Forsberg D8/72
 D681,440 S * 5/2013 Yu D8/396
 D691,032 S * 10/2013 Chen D8/396
 8,602,798 B2 * 12/2013 Downing H01R 4/46
 248/65
 D708,053 S * 7/2014 Marini D8/394
 D736,071 S * 8/2015 Wu D8/373
 D738,191 S * 9/2015 Nas D8/380
 D740,647 S * 10/2015 DeCosta D16/242
 D741,700 S * 10/2015 Mock F16D 1/0864
 D8/396
 D742,213 S * 11/2015 Sasanecki D8/396
 D781,175 S * 3/2017 Jankowski D8/382
 9,590,403 B2 * 3/2017 Jackson, Jr. H02G 3/0406
 D812,456 S * 3/2018 Nolta D8/373
 D830,152 S * 10/2018 Ito D8/354
 D831,463 S * 10/2018 Granberg D8/349
 10,190,703 B2 * 1/2019 Alquier F16L 3/16
 D841,437 S * 2/2019 Ito D8/354
 D847,607 S * 5/2019 Granberg D8/349
 D850,240 S * 6/2019 Breda H02G 3/32
 D8/380
 10,307,892 B1 * 6/2019 Schaefer B25B 1/103
 D856,790 S * 8/2019 Webb D23/262

D865,488 S * 11/2019 Jin D8/354
 D866,301 S * 11/2019 Gasparino A47B 57/56
 D8/354
 D886,570 S * 6/2020 Twitchell D8/356
 D886,571 S * 6/2020 Twitchell D8/356
 D886,573 S * 6/2020 Axelsson D8/382
 D892,606 S * 8/2020 Sullivan D8/382
 D899,901 S * 10/2020 Barnes D8/382
 D902,021 S * 11/2020 Walker D8/382
 D910,427 S * 2/2021 Yang D8/382
 D932,875 S * 10/2021 Parrott D8/354
 11,248,730 B2 * 2/2022 Park F16L 3/1016
 11,266,275 B1 * 3/2022 Ghiorghie F16B 2/08
 D947,654 S * 4/2022 Liu D8/356
 D947,659 S * 4/2022 Pejic D8/356
 D948,992 S * 4/2022 Werlinger D8/354
 D953,148 S * 5/2022 Wu D6/580
 D953,151 S * 5/2022 Mann D8/373
 2006/0272848 A1 * 12/2006 Guthke H02G 3/32
 174/135
 2007/0138350 A1 * 6/2007 Brown F16B 2/04
 248/65
 2008/0173773 A1 * 7/2008 Opperthausen F16L 59/135
 248/74.1
 2009/0078831 A1 * 3/2009 Spreitzer F16L 3/1083
 248/49
 2009/0134282 A1 * 5/2009 Grim, Sr. F16L 3/127
 248/56
 2009/0140106 A1 * 6/2009 Johnson F16L 3/18
 248/55
 2011/0049867 A1 * 3/2011 Mori F16B 2/10
 285/188
 2011/0126934 A1 * 6/2011 Thuesen F16L 3/1025
 248/74.3
 2012/0012723 A1 * 1/2012 Mansfield A24F 1/30
 248/230.8
 2012/0214328 A1 * 8/2012 Downing H01R 4/46
 439/345
 2013/0112817 A1 * 5/2013 Unger F16L 3/1025
 248/74.4
 2015/0108288 A1 * 4/2015 Lee F16B 12/54
 248/68.1
 2015/0122957 A1 * 5/2015 Michiels F16L 3/13
 248/74.1
 2016/0348811 A1 * 12/2016 Sixsmith F16L 3/133
 2016/0363244 A1 * 12/2016 Ignaczak F16L 21/065
 2018/0266617 A1 * 9/2018 Yoon C23F 13/18
 2019/0145559 A1 * 5/2019 Karlsson F16L 23/08
 285/411
 2019/0264834 A1 * 8/2019 Breda F16L 1/0246
 2020/0400261 A1 * 12/2020 Park F16F 3/0873
 2021/0177185 A1 * 6/2021 DiTrollo F16B 2/10
 2022/0228684 A1 * 7/2022 Ren F16L 23/08

* cited by examiner

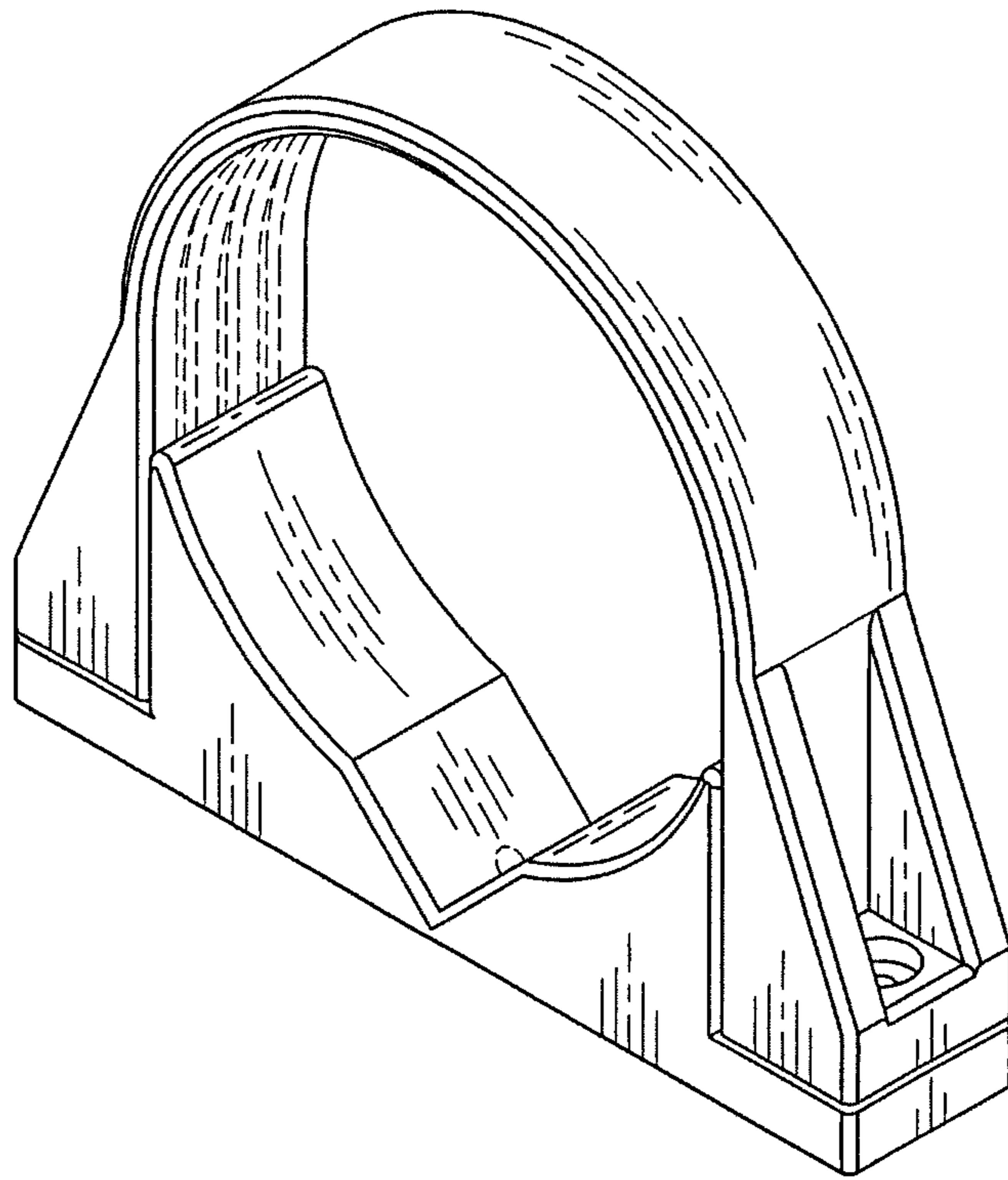


FIG.1

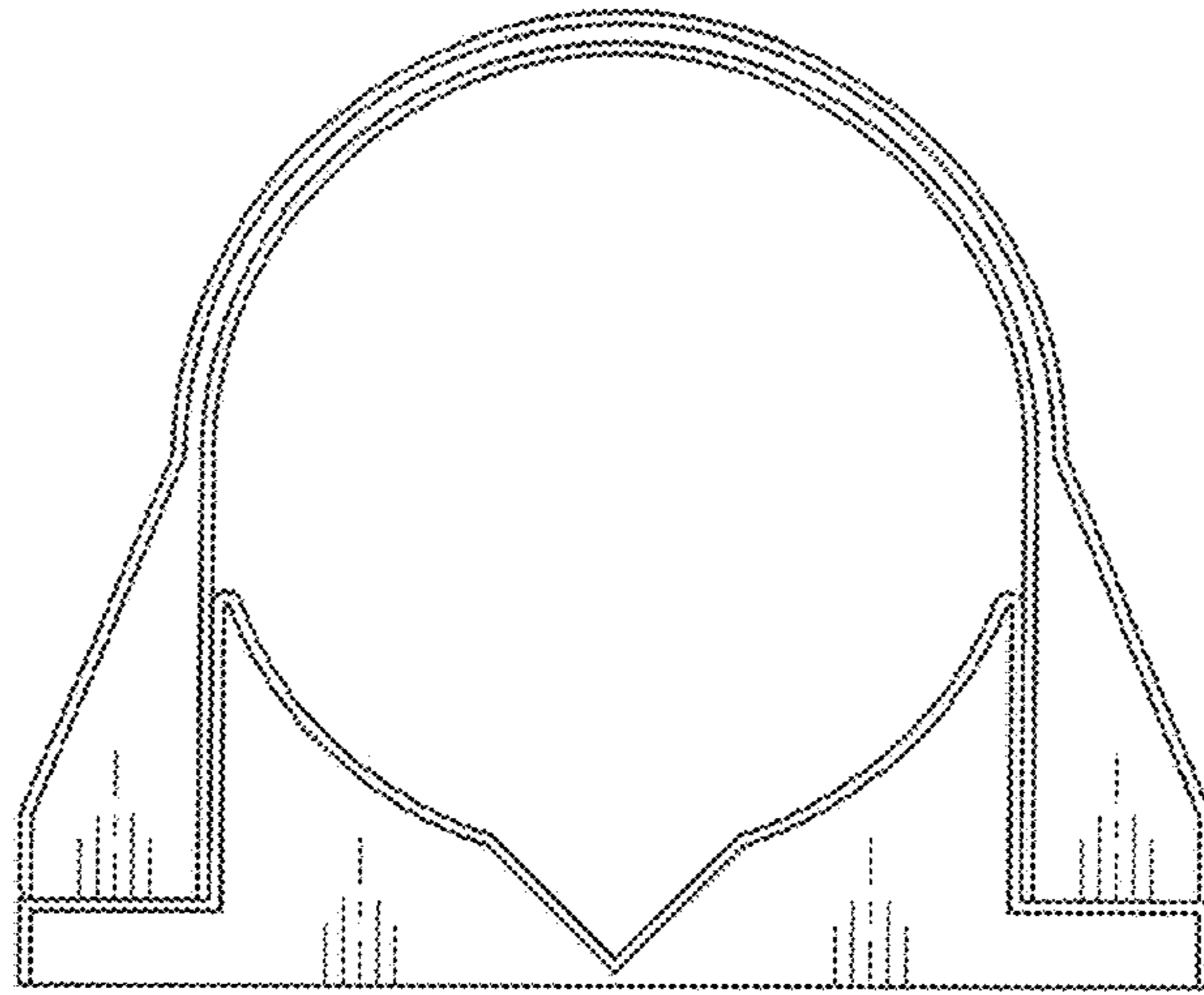


FIG. 2

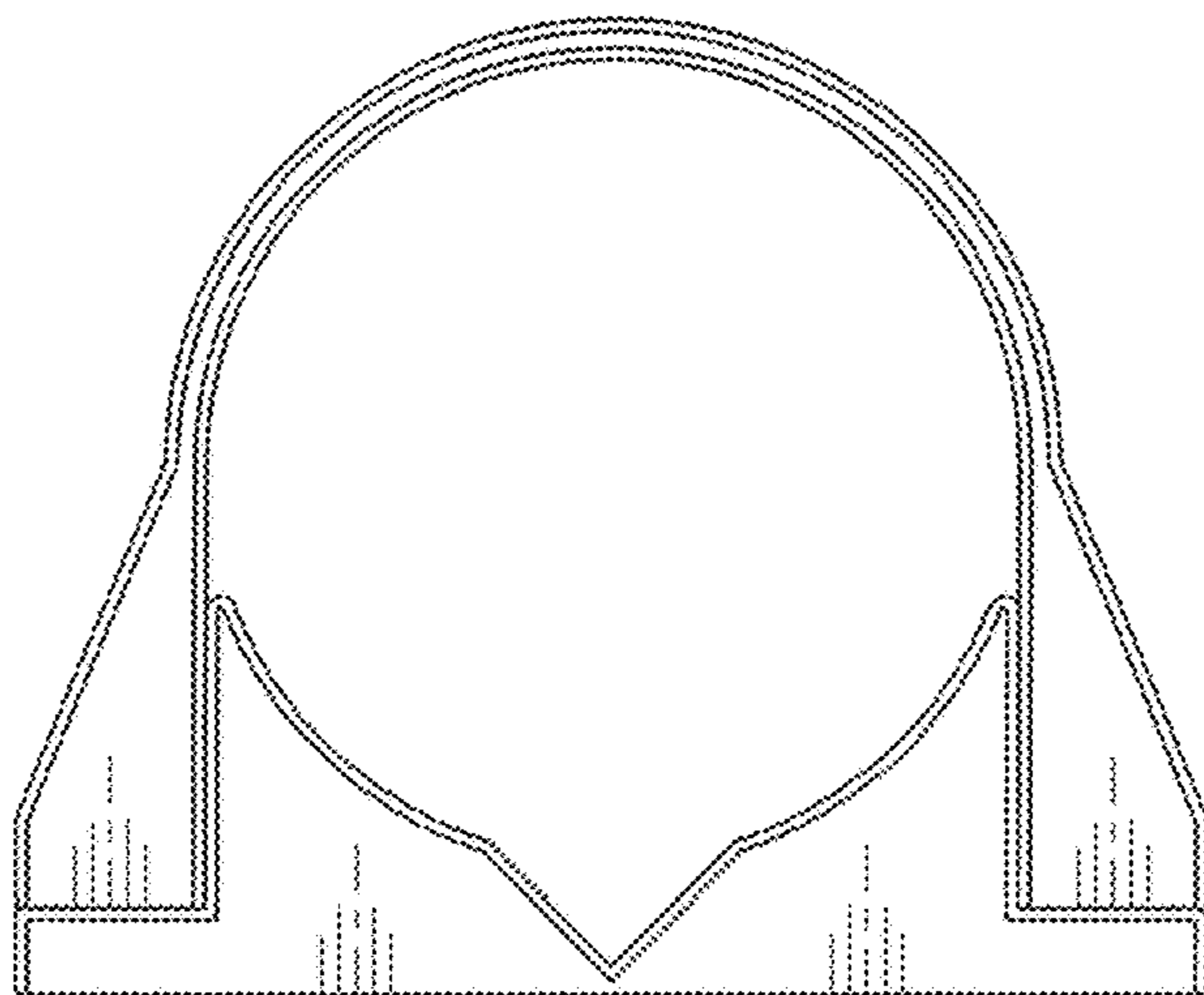


FIG. 3

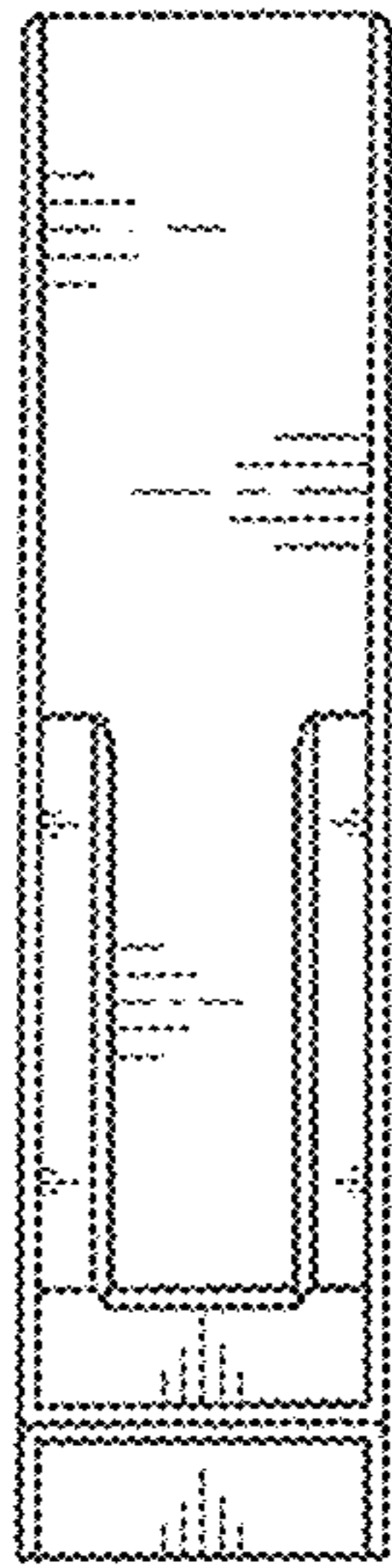


FIG. 4

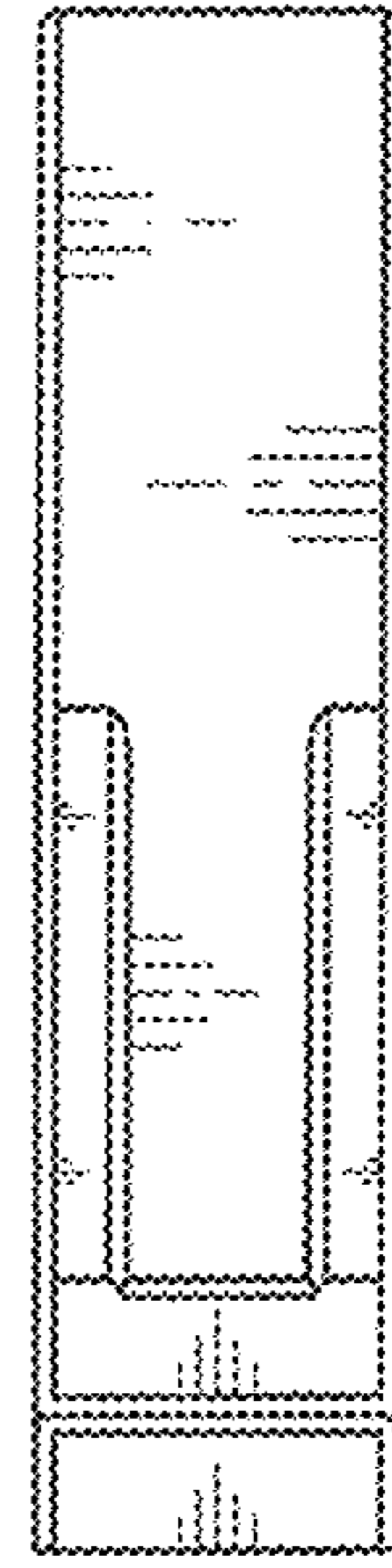


FIG. 5



FIG. 6

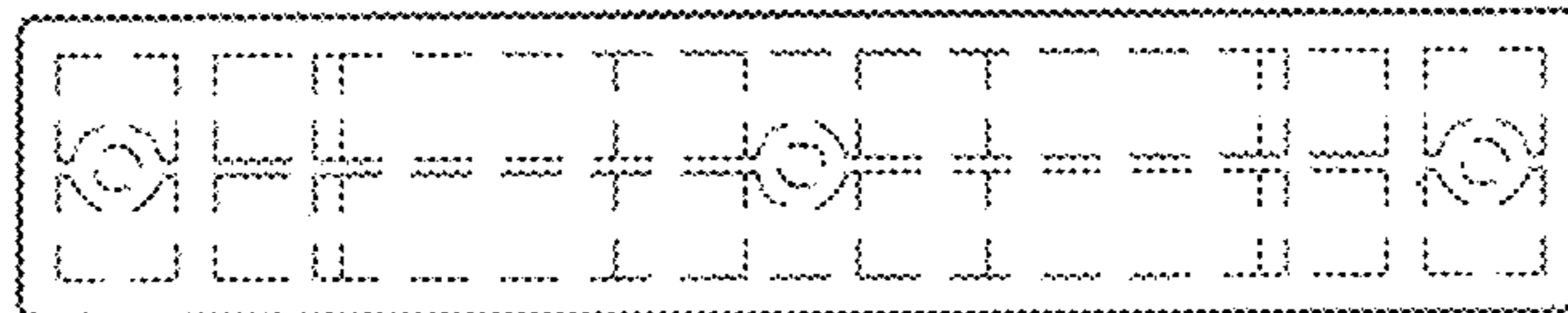


FIG. 7

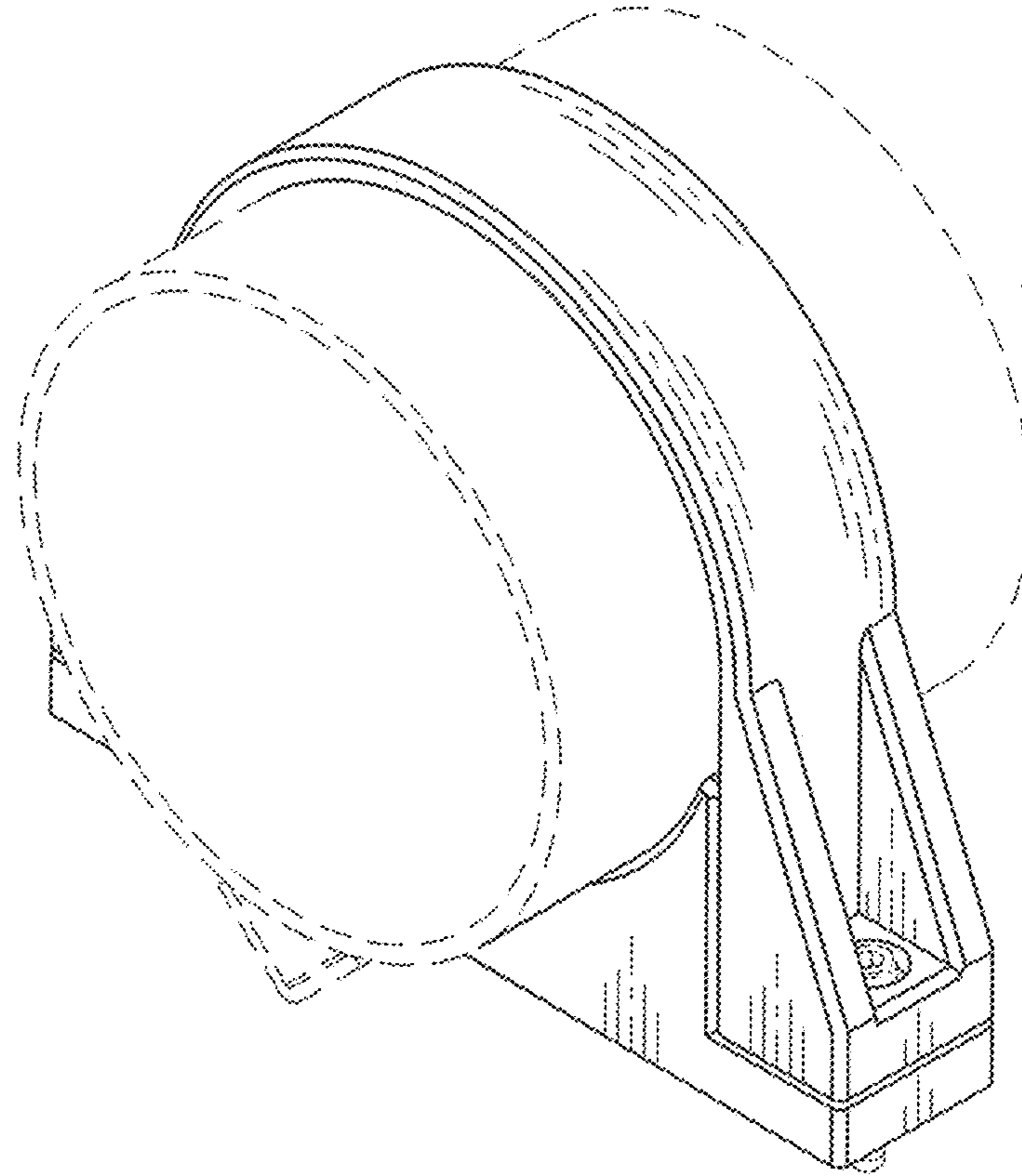


FIG.8