



US00D980051S

(12) **United States Design Patent**
Nettleton

(10) **Patent No.:** **US D980,051 S**
(45) **Date of Patent:** **** Mar. 7, 2023**

(54) **STAPLE**

FOREIGN PATENT DOCUMENTS

(71) Applicant: **MILWAUKEE ELECTRIC TOOL CORPORATION**, Brookfield, WI (US)

CN 306890083 * 10/2021
ES 1009747 U 10/1989

(Continued)

(72) Inventor: **Coby A. Nettleton**, Milwaukee, WI (US)

OTHER PUBLICATIONS

(73) Assignee: **MILWAUKEE ELECTRIC TOOL CORPORATION**, Brookfield, WI (US)

International Search Report and Written Opinion for Application No. PCT/US2021/034459 dated Sep. 8, 2021 (12 pages).

(**) Term: **15 Years**

Primary Examiner — Sheryl Lane

Assistant Examiner — Ieisha N Price

(21) Appl. No.: **29/754,880**

(74) *Attorney, Agent, or Firm* — Michael Best & Friedrich LLP

(22) Filed: **Oct. 15, 2020**

(51) **LOC (14) Cl.** **08-08**

(52) **U.S. Cl.**
USPC **D8/390**

(58) **Field of Classification Search**
USPC D8/390, 389; D24/145
CPC ... F16B 15/0007; F16B 15/0015; F16B 15/08
See application file for complete search history.

(57) **CLAIM**

I claim the ornamental design for a staple, as shown and described.

DESCRIPTION

FIG. 1 is a front perspective view of a staple in accordance with a first embodiment of the present invention. FIG. 2 is a front view of the staple of FIG. 1. FIG. 3 is a rear view of the staple of FIG. 1. FIG. 4 is a left-side view of the staple of FIG. 1. FIG. 5 is a right-side view of the staple of FIG. 1. FIG. 6 is a top view of the staple of FIG. 1. FIG. 7 is a bottom view of the staple of FIG. 1. FIG. 8 is a front perspective view of a staple in accordance with a second embodiment of the present invention. FIG. 9 is a front view of the staple of FIG. 8. FIG. 10 is a rear view of the staple of FIG. 8. FIG. 11 is a left-side view of the staple of FIG. 8. FIG. 12 is a right-side view of the staple of FIG. 8. FIG. 13 is a top view of the staple of FIG. 8; and, FIG. 14 is a bottom view of the staple of FIG. 8.

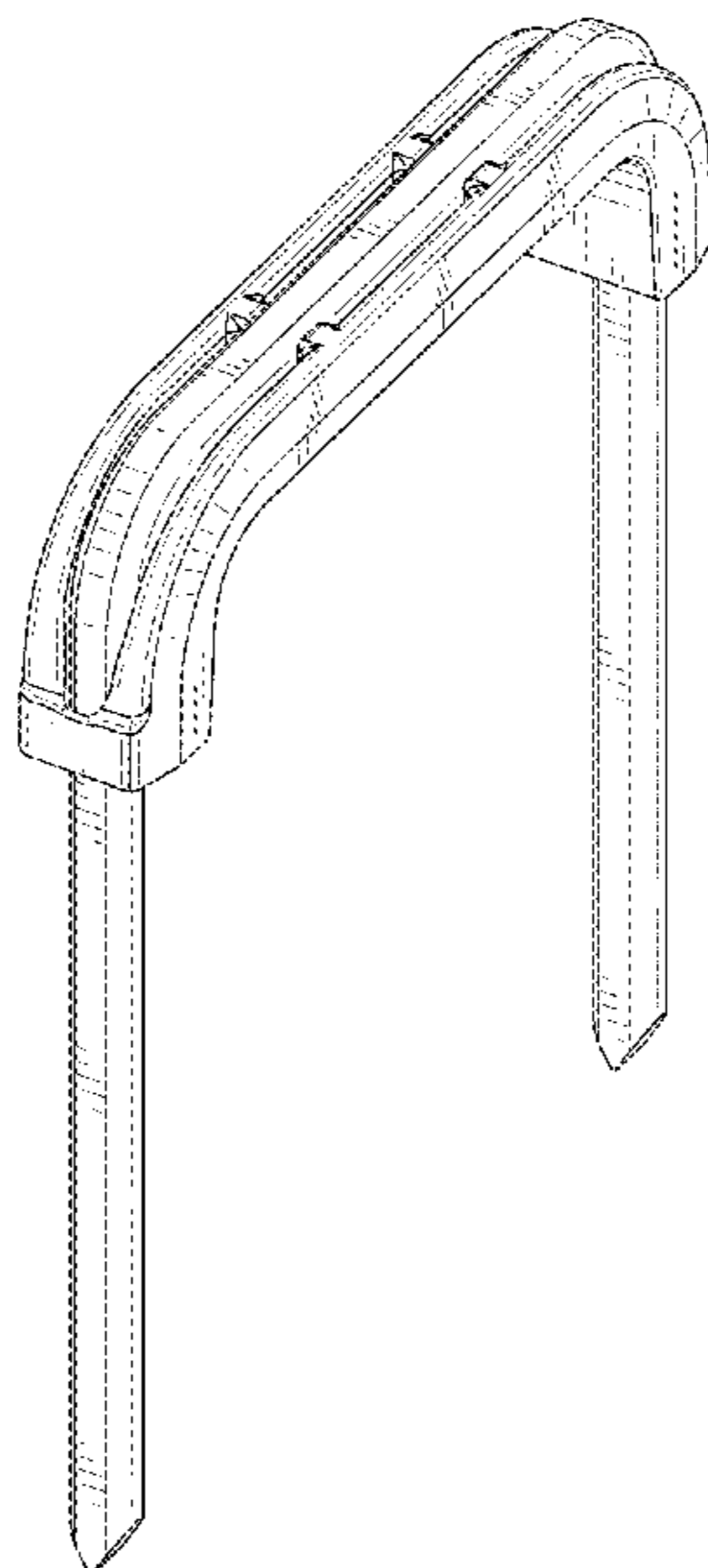
(56) **References Cited**

U.S. PATENT DOCUMENTS

662,587 A	11/1900	Blake	
2,001,288 A	5/1935	Schorr	
2,003,062 A *	5/1935	Wickwire F16B 15/02 411/469
2,351,608 A	6/1944	Greenwood	
2,521,019 A *	9/1950	Percoco F16B 15/04 411/920
2,526,902 A	10/1950	Rublee	
2,632,356 A *	3/1953	Thiel F16B 15/0015 411/471
3,076,373 A *	2/1963	Matthews F16B 15/0092 206/820
3,085,129 A *	4/1963	Anderson H02G 3/32 248/71
3,170,160 A	2/1965	Burniston	

(Continued)

1 Claim, 6 Drawing Sheets



(56)

References Cited

U.S. PATENT DOCUMENTS

3,940,844 A 3/1976 Colby et al.
 4,129,059 A 12/1978 Van Eck
 4,278,091 A * 7/1981 Borzone A61B 17/0642
 411/475
 D261,356 S * 10/1981 Robinson D8/382
 4,532,927 A * 8/1985 Miksza, Jr. A61B 17/0643
 606/220
 4,534,350 A * 8/1985 Golden A61B 17/0643
 606/220
 D280,931 S * 10/1985 Green D24/145
 D280,932 S * 10/1985 Green D24/145
 4,570,623 A * 2/1986 Ellison A61B 17/68
 606/75
 4,573,469 A * 3/1986 Golden A61B 17/0643
 606/220
 4,697,045 A 9/1987 Beatty
 D298,916 S * 12/1988 Beatty D8/390
 D330,699 S * 11/1992 Gill A61B 17/0644
 D13/154
 5,209,756 A * 5/1993 Seedhom A61B 17/88
 606/220
 5,620,289 A * 4/1997 Curry F16B 1/0071
 411/444
 5,718,548 A * 2/1998 Cotellessa H02G 3/26
 411/475
 5,735,444 A 4/1998 Wingert
 D402,540 S 12/1998 Stridh
 6,305,891 B1 * 10/2001 Burlingame B25C 5/1693
 411/443
 6,530,803 B1 3/2003 Chen
 7,722,610 B2 * 5/2010 Viola A61B 17/0682
 227/176.1
 7,874,778 B1 1/2011 Derrig et al.
 8,282,328 B2 10/2012 Gardner et al.
 8,303,226 B1 * 11/2012 Derrig H01B 17/24
 411/475
 8,348,972 B2 * 1/2013 Soltz A61B 17/068
 227/181.1
 D705,930 S * 5/2014 Cheney D24/145
 D707,357 S * 6/2014 Cheney D24/145

8,858,146 B1 10/2014 Derrig et al.
 9,011,063 B1 4/2015 Derrig et al.
 9,422,962 B1 * 8/2016 Stratton F16B 15/0015
 10,085,743 B2 * 10/2018 Roedl A61B 17/0642
 D836,072 S 12/2018 Gray
 10,563,685 B2 * 2/2020 Tao F16B 15/0015
 10,662,991 B2 5/2020 Gray
 10,704,583 B2 * 7/2020 Fairbanks H01B 17/66
 2003/0099102 A1 * 5/2003 Duval F16B 15/0015
 361/807
 2004/0126201 A1 * 7/2004 Kobylinski F16B 15/0015
 411/13
 2004/0247415 A1 * 12/2004 Mangone, Jr. F16B 15/08
 411/457
 2004/0262461 A1 * 12/2004 Del Re H02G 3/32
 248/71
 2006/0233628 A1 * 10/2006 Lee F16B 15/08
 411/473
 2009/0261141 A1 10/2009 Stratton et al.
 2011/0262247 A1 * 10/2011 Kanai F16B 15/0015
 411/460
 2015/0063949 A1 3/2015 Young
 2018/0172052 A1 * 6/2018 Gray F16L 3/04
 2019/0101147 A1 4/2019 Fairbanks et al.
 2019/0154070 A1 * 5/2019 Kargenian B25C 5/1644
 2019/0154071 A1 * 5/2019 Tao F16B 15/0015
 2019/0337135 A1 * 11/2019 Kargenian B25C 1/006
 2020/0083691 A1 * 3/2020 Kawashima F16L 3/12
 2021/0131470 A1 * 5/2021 Wei F16B 15/0015
 2021/0372451 A1 * 12/2021 Nettleton F16B 15/0015

FOREIGN PATENT DOCUMENTS

GB 257753 A 9/1926
 GB 843061 A 8/1960
 GB 6014567 * 6/2017
 JP S5676280 A 6/1981
 JP S56118770 A 9/1981
 JP H0293109 A 4/1990
 JP H02203004 A 8/1990
 JP 2002130232 A 5/2002
 WO 2008094953 A2 8/2008

* cited by examiner

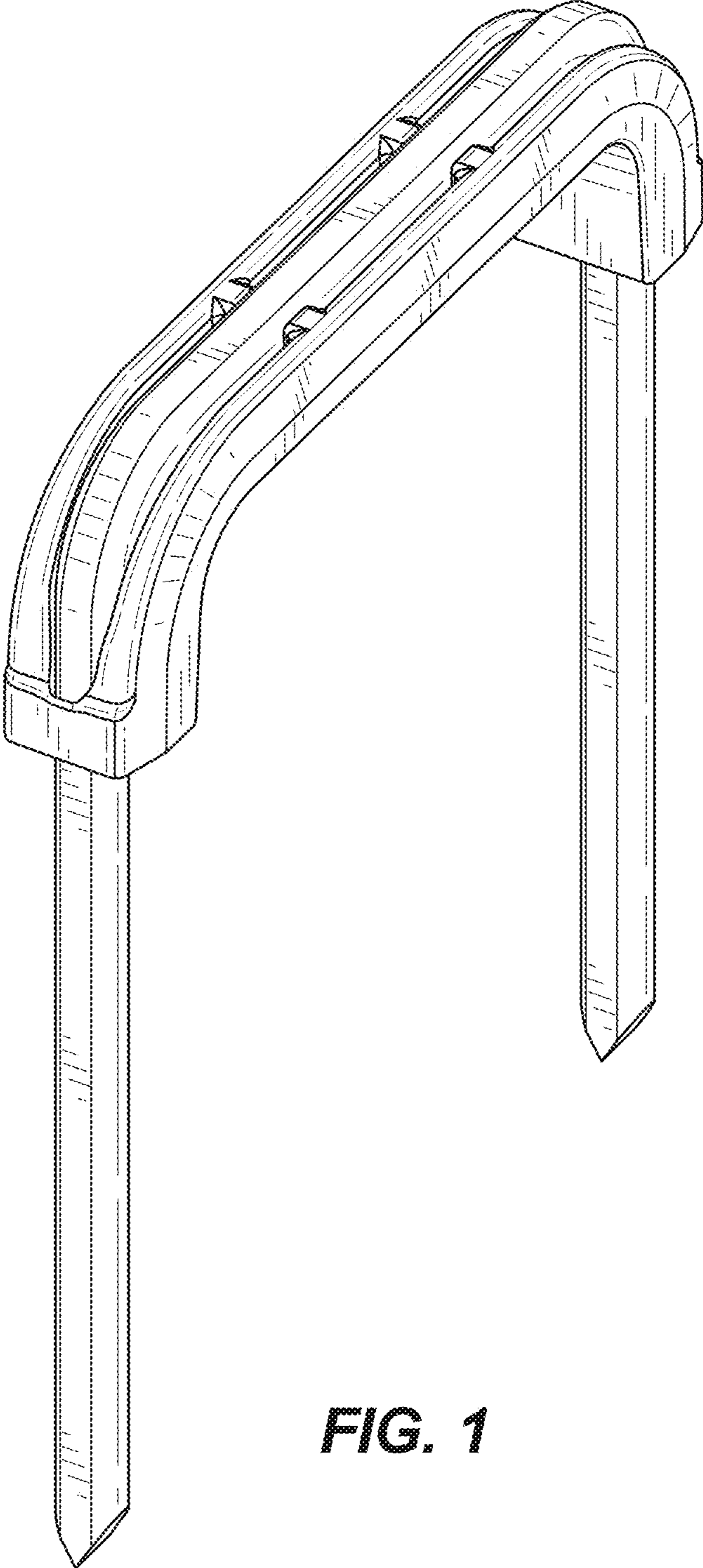


FIG. 1

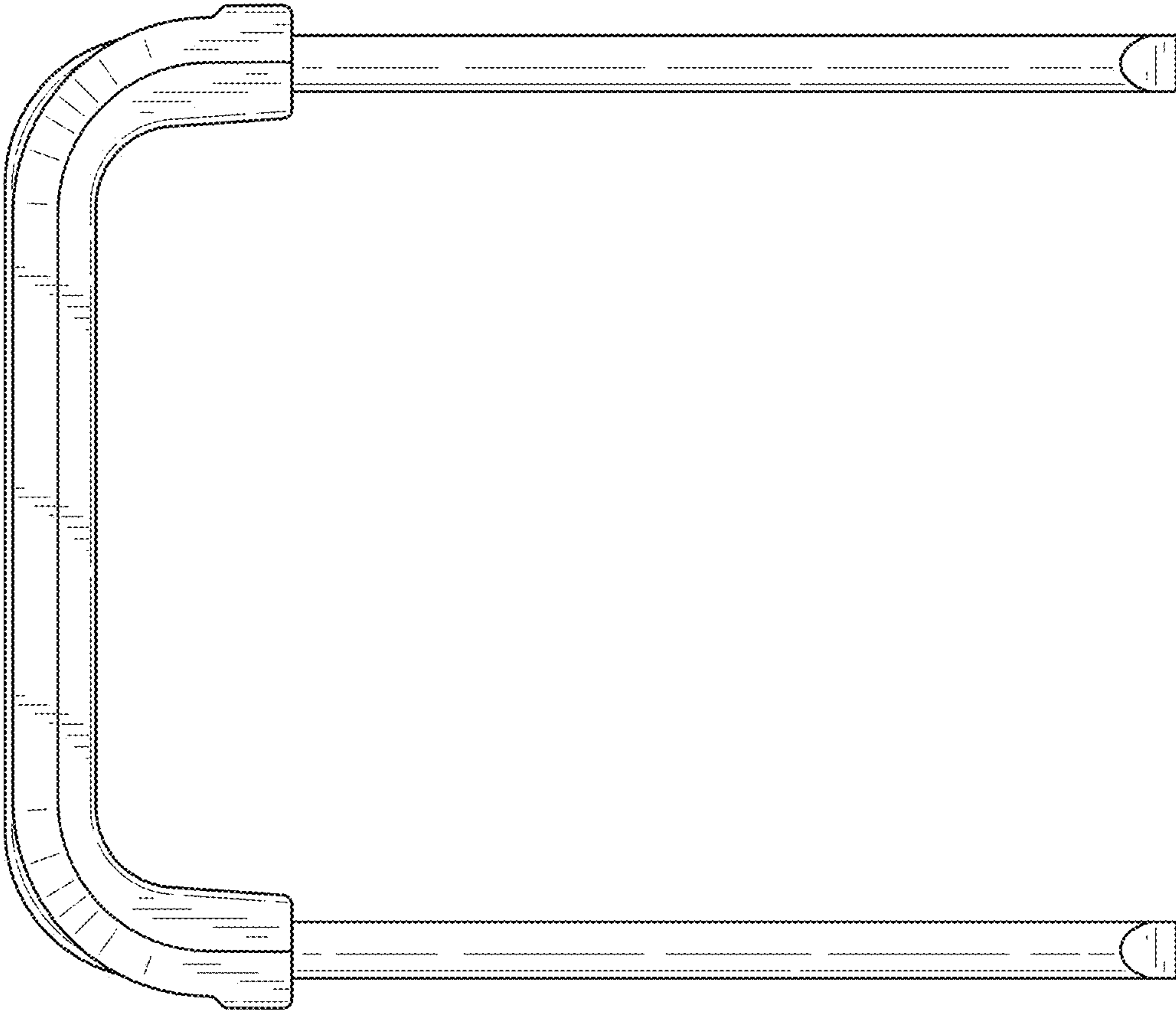


FIG. 2

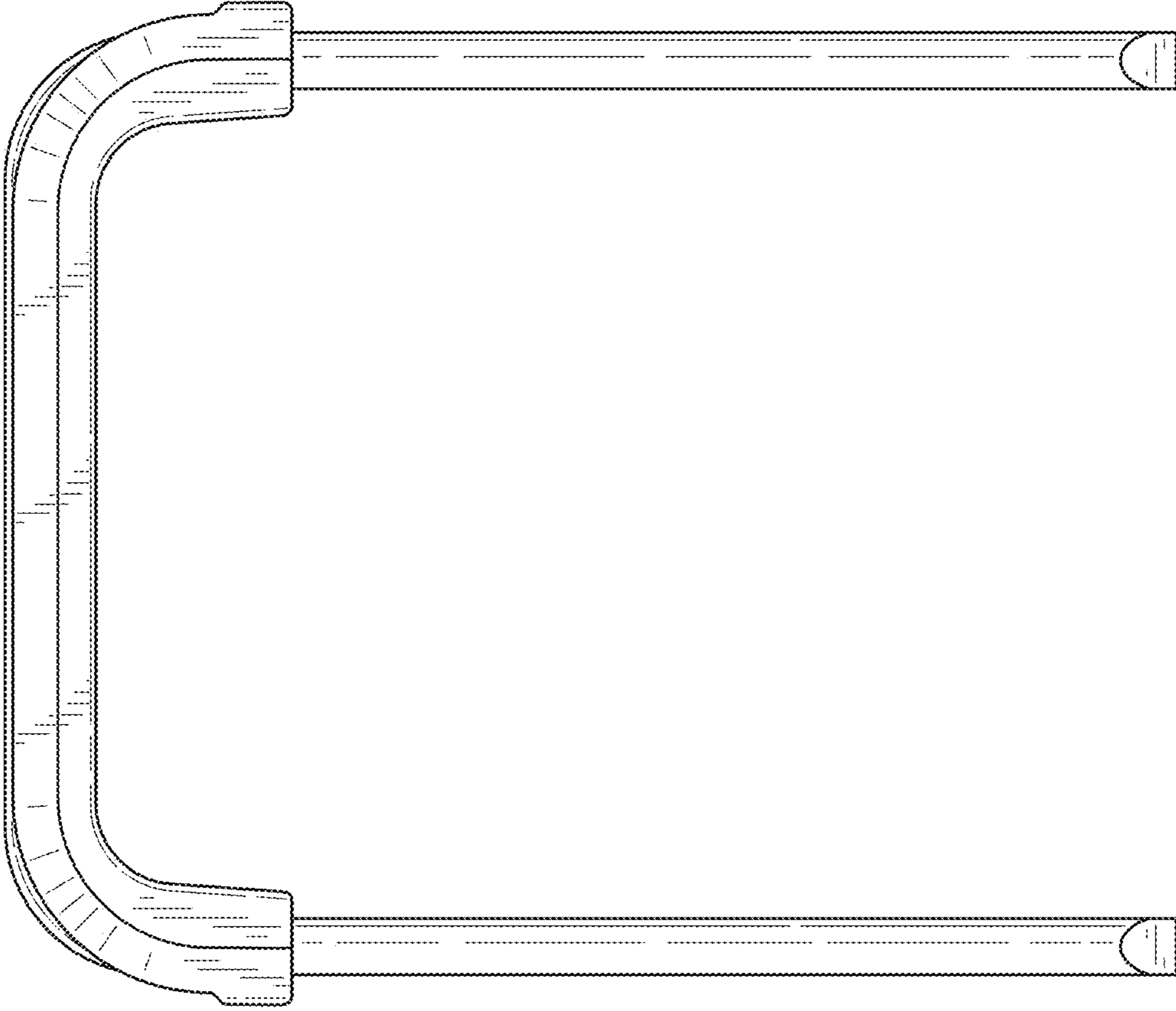


FIG. 3

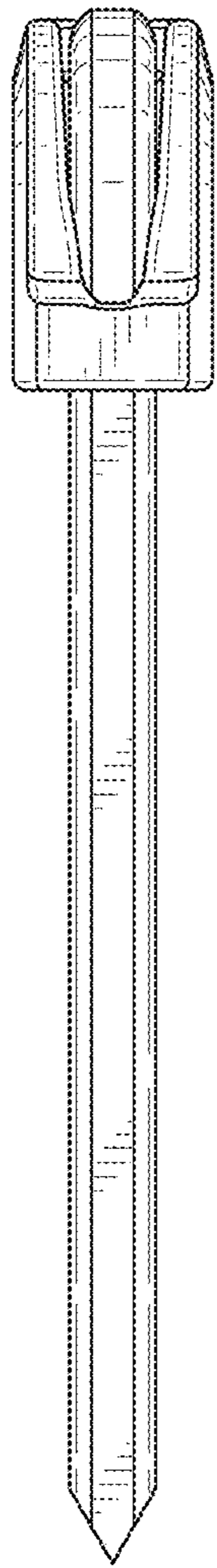


FIG. 4

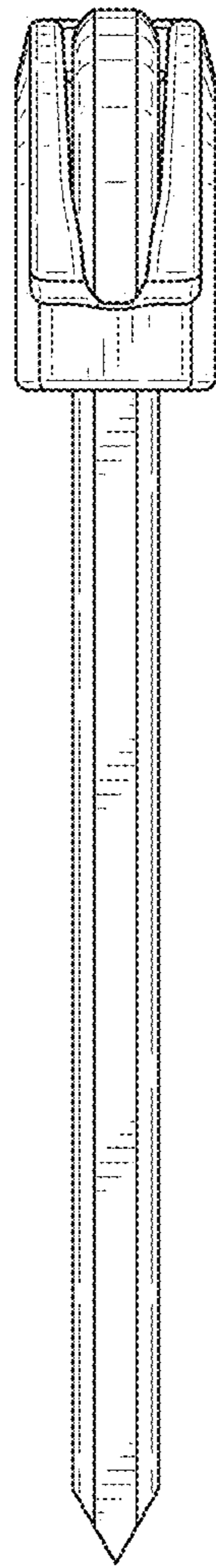


FIG. 5

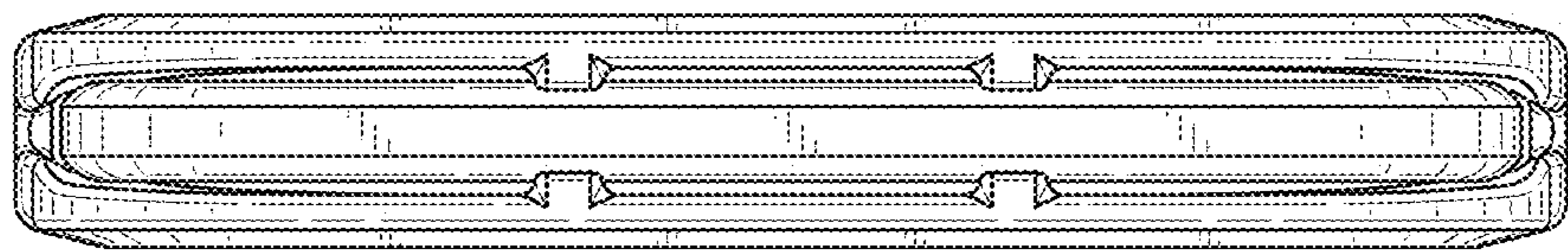


FIG. 6

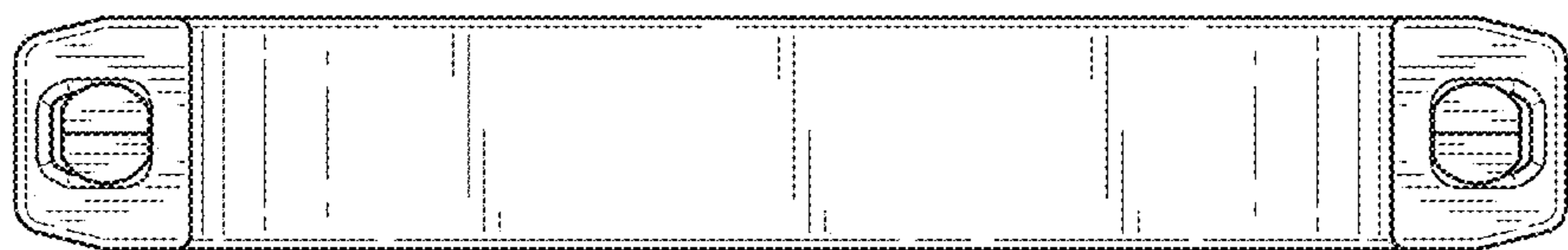


FIG. 7

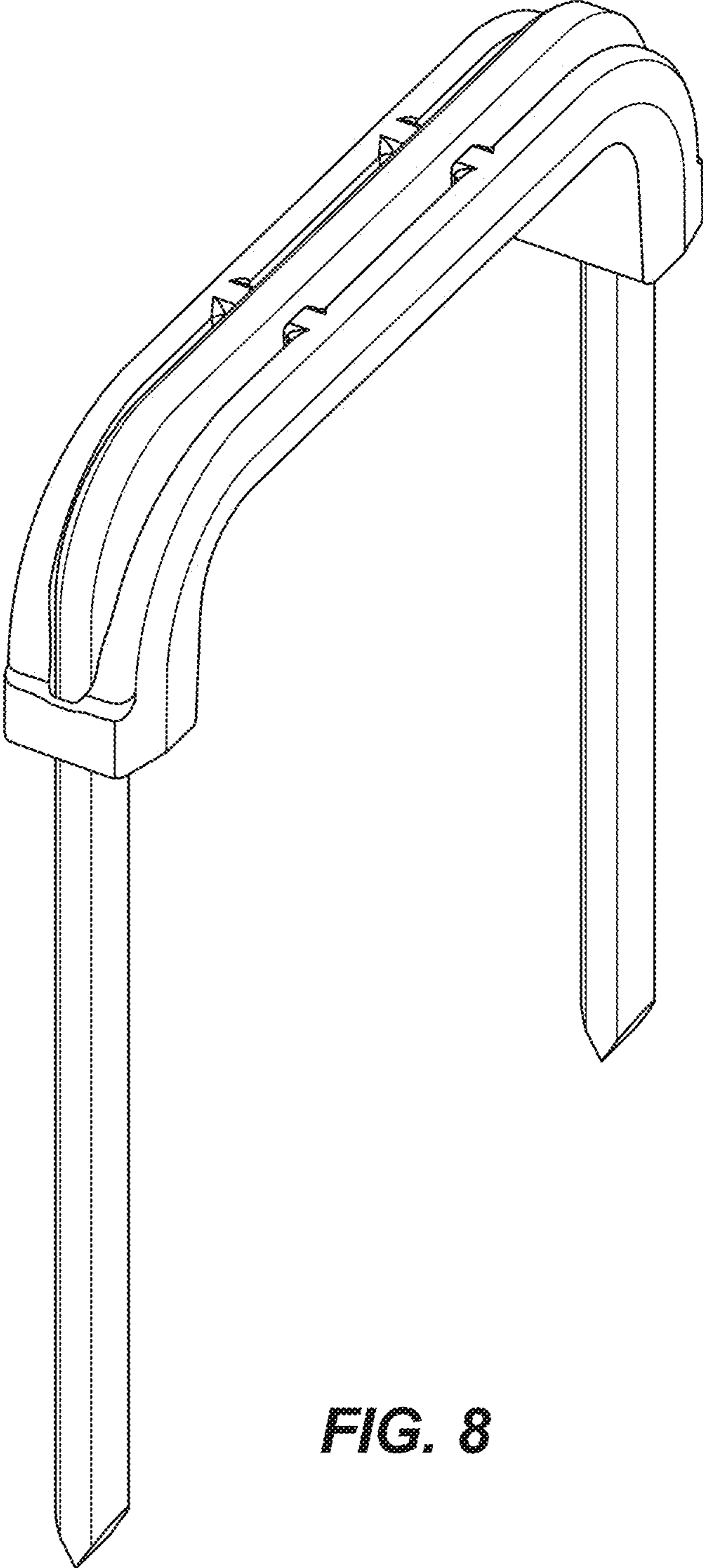


FIG. 8

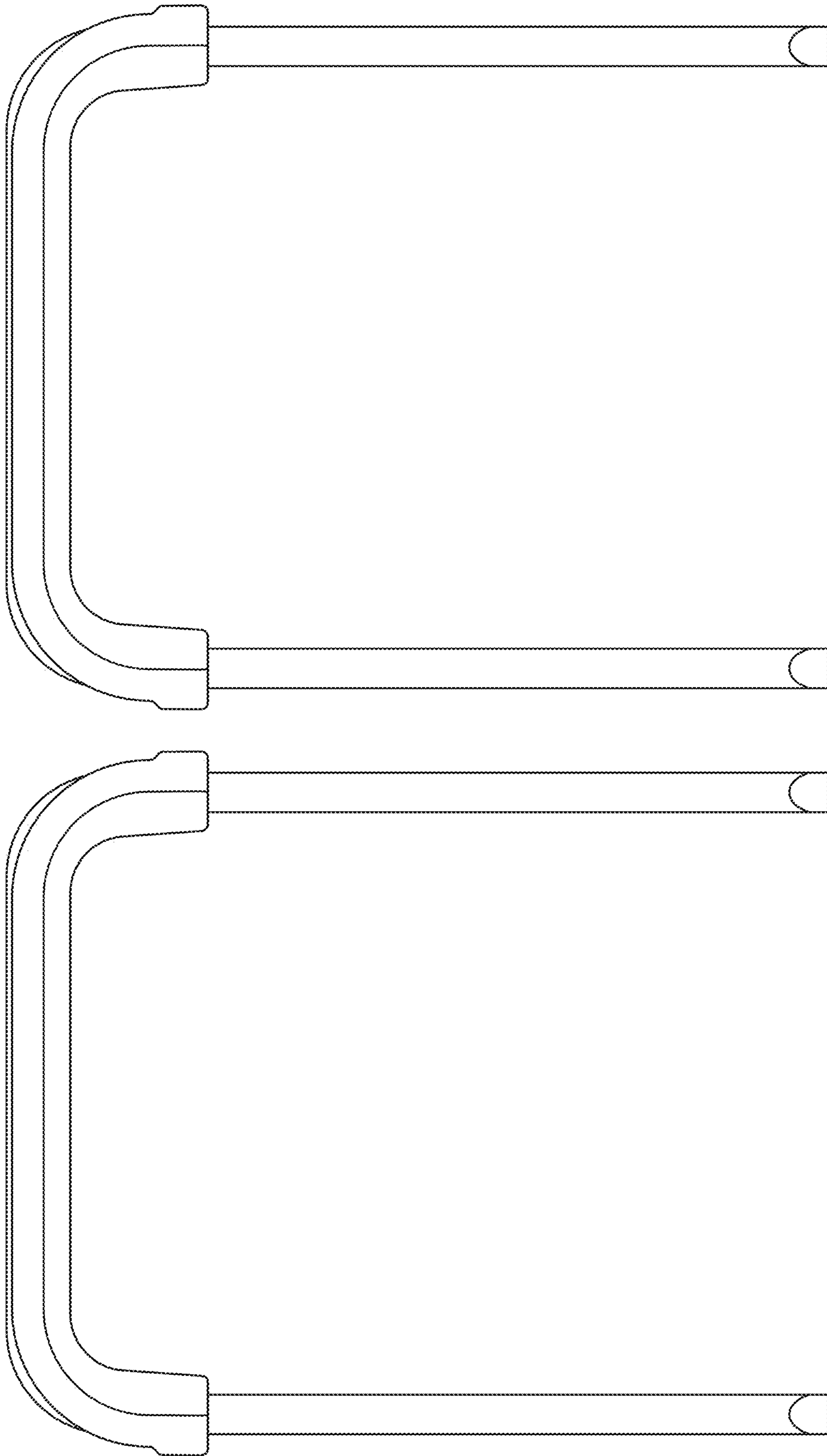


FIG. 10

FIG. 9

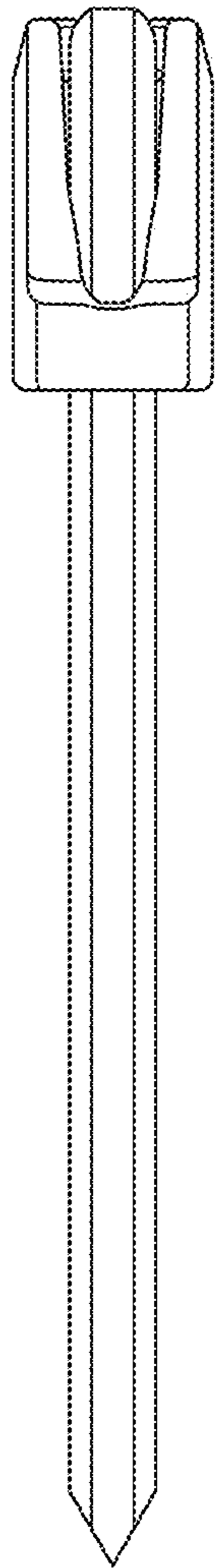


FIG. 11

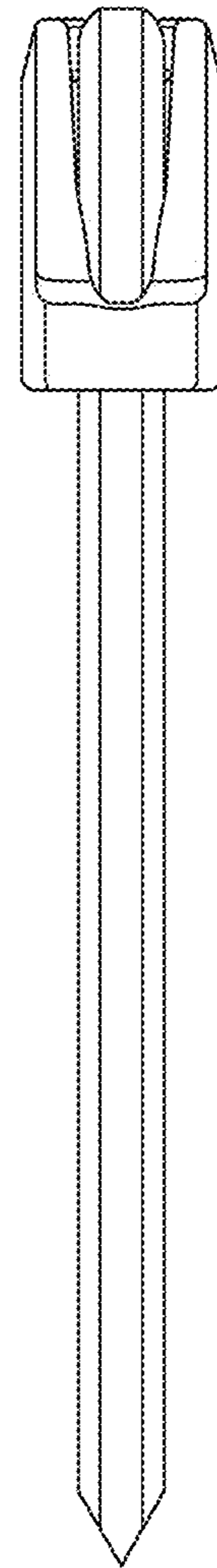


FIG. 12

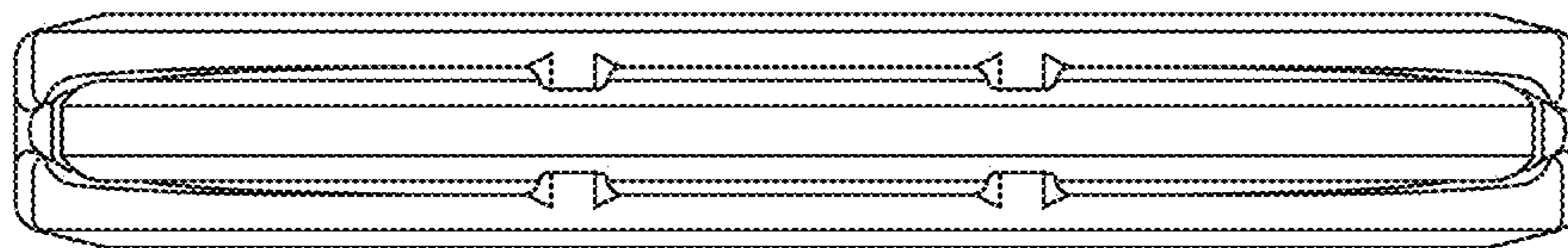


FIG. 13



FIG. 14