



US00D980050S

(12) **United States Design Patent** (10) **Patent No.:** **US D980,050 S**
Nakao (45) **Date of Patent:** **** Mar. 7, 2023**

(54) **PAIR OF BRACKETS FOR A HAND CLEANER BOTTLE**

(71) Applicant: **THE YOKOHAMA RUBBER CO., LTD.**, Tokyo (JP)

(72) Inventor: **Kazushi Nakao**, Hiratsuka (JP)

(73) Assignee: **THE YOKOHAMA RUBBER CO., LTD.**, Tokyo (JP)

(**) Term: **15 Years**

(21) Appl. No.: **29/778,656**

(22) Filed: **Apr. 14, 2021**

(30) **Foreign Application Priority Data**

Oct. 14, 2020 (JP) 2020-022073 D

(51) **LOC (14) Cl.** **08-05**

(52) **U.S. Cl.**
USPC **D8/380**; D8/381; D8/349; D8/395

(58) **Field of Classification Search**
USPC D8/349, 394, 395, 381, 380, 16, 71;
D15/140
CPC F16B 2/205; F16B 2/22; F16B 2/26; F16B 2/04; F16B 2/06; F16B 5/0614; F16B 5/0621; F16B 2005/0678; F16B 9/02; F16B 7/04; A47K 5/00; A47K 5/12
See application file for complete search history.

(56) **References Cited**

U.S. PATENT DOCUMENTS

D222,430 S * 10/1971 Millar D8/395
D224,085 S * 7/1972 Cuva D8/364
D233,386 S * 10/1974 Hammett D6/567
4,444,358 A * 4/1984 Spohn B60S 1/50
D8/395
D288,281 S * 2/1987 Spicer D8/380
D319,383 S * 8/1991 Kihlstrom D8/396

D319,575 S * 9/1991 Young D8/395
D343,784 S * 2/1994 Hagenbuch D8/349
D362,688 S * 9/1995 Wolff D19/86
D363,017 S * 10/1995 Noble D9/434
5,924,659 A * 7/1999 Babcock A47G 23/0241
248/106
D632,158 S * 2/2011 Yang D13/118
D673,028 S * 12/2012 Apesteguia Martinez ... D8/349
D690,188 S * 9/2013 Pontus D8/349

(Continued)

Primary Examiner — Calvin E Vansant

Assistant Examiner — Benjamin Lucas Gray

(74) *Attorney, Agent, or Firm* — Banner & Witcoff, Ltd.

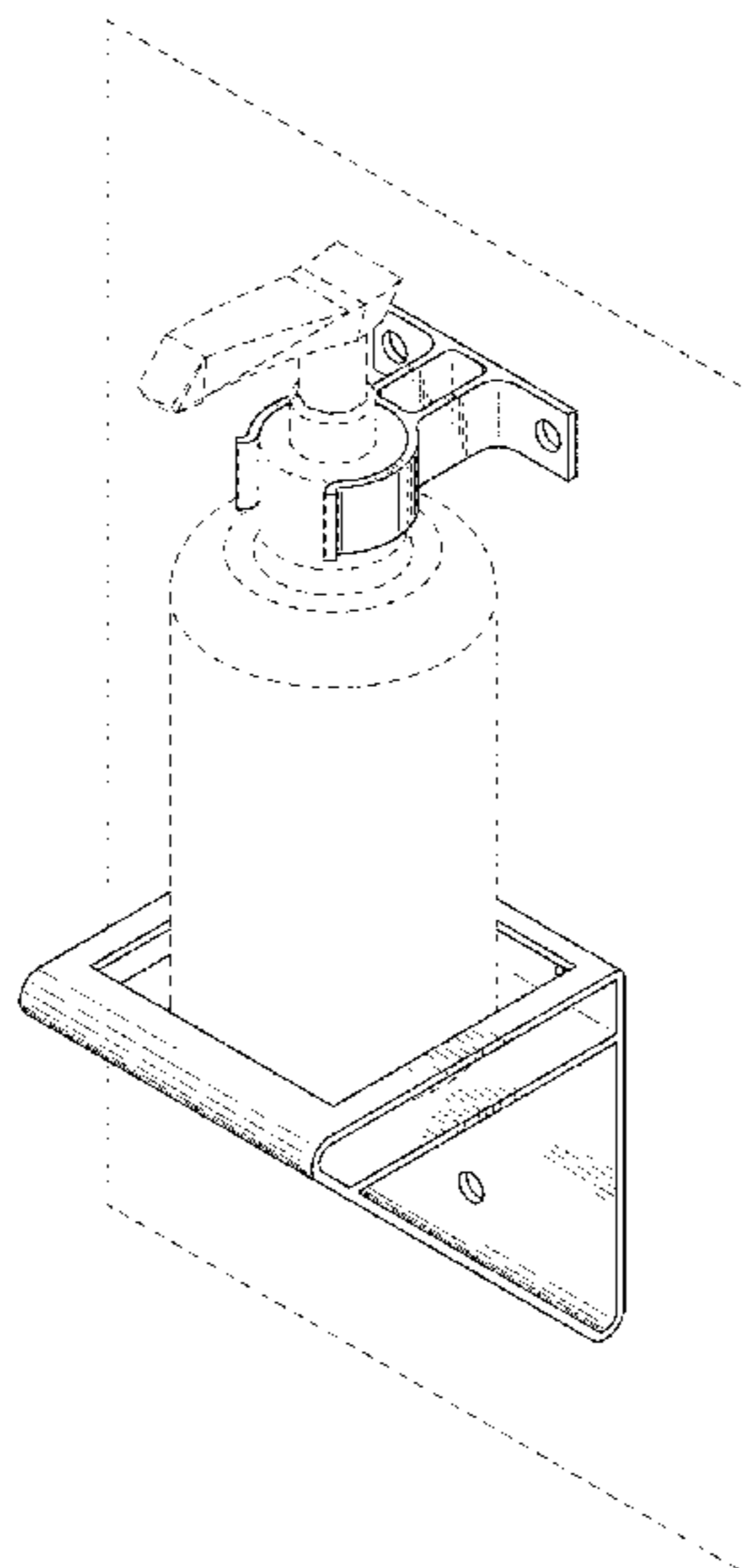
(57) **CLAIM**

The ornamental design for a pair of brackets for a hand cleaner bottle, as shown and described.

DESCRIPTION

FIG. 1 is a perspective view of a first bracket of a pair of brackets for a hand cleaner bottle showing my design; FIG. 2 is a front view thereof; FIG. 3 is a rear view thereof; FIG. 4 is a top view thereof; FIG. 5 is a right side view thereof; the left side view being a mirror image thereof; FIG. 6 is a perspective view of a second bracket of the pair of brackets for the hand cleaner bottle; FIG. 7 is a front view thereof; FIG. 8 is a rear view thereof; FIG. 9 is a top view thereof; FIG. 10 is a bottom view thereof; FIG. 11 is a right side view thereof; the left side view being a mirror image thereof; and, FIG. 12 is an exemplary view thereof showing a state in use with the hand cleaner bottle being set. In the drawings, the broken lines depict environmental subject matter only and form no part of the claimed design.

1 Claim, 12 Drawing Sheets



(56)

References Cited

U.S. PATENT DOCUMENTS

2011/0101196 A1* 5/2011 Schmidt A47K 5/12
248/553
2020/0399935 A1* 12/2020 Carr, Jr. A47K 3/281
2022/0033141 A1* 2/2022 Brenner A47K 5/1205
2022/0167802 A1* 6/2022 Bing A47K 5/1205

* cited by examiner

FIG. 1

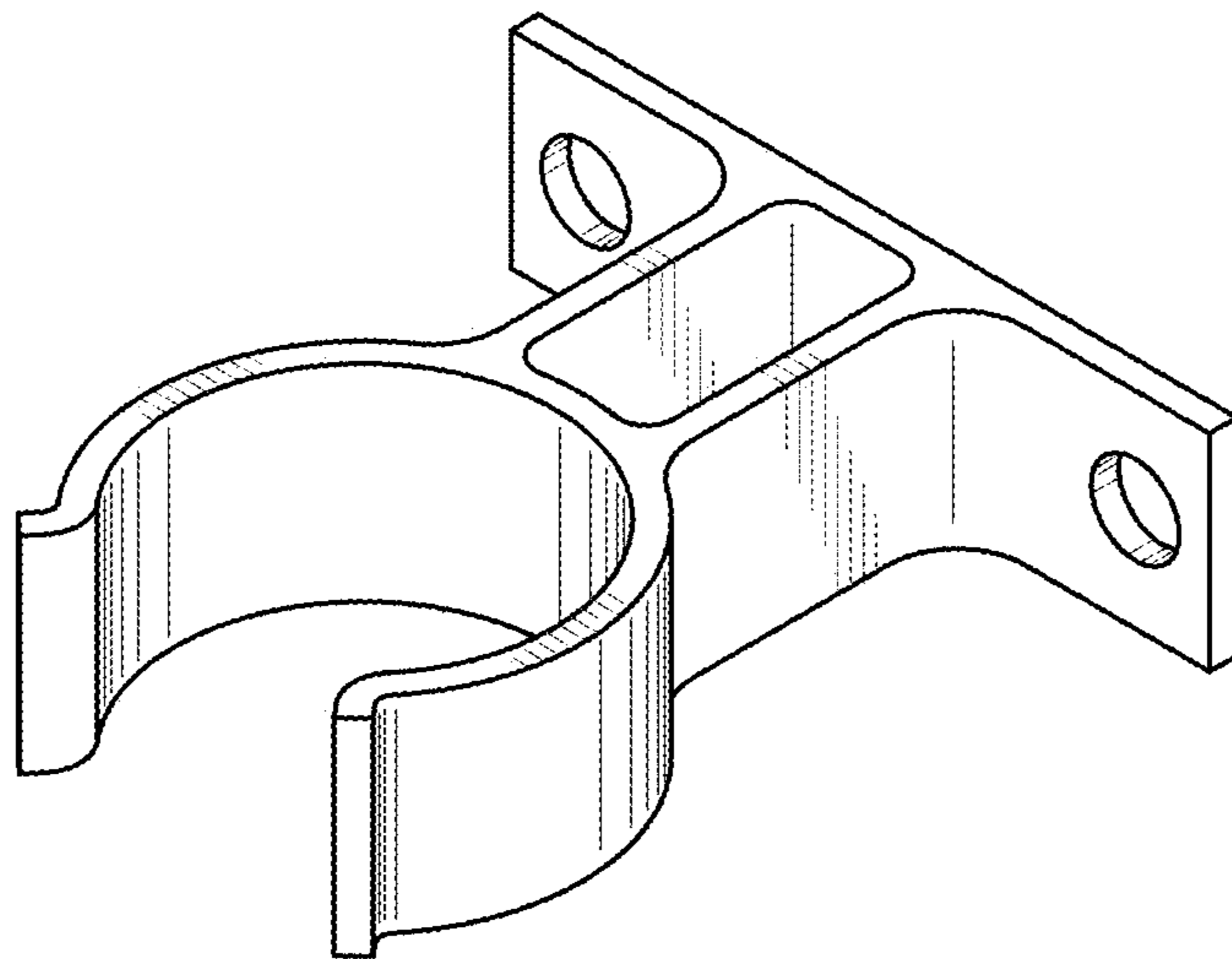


FIG. 2

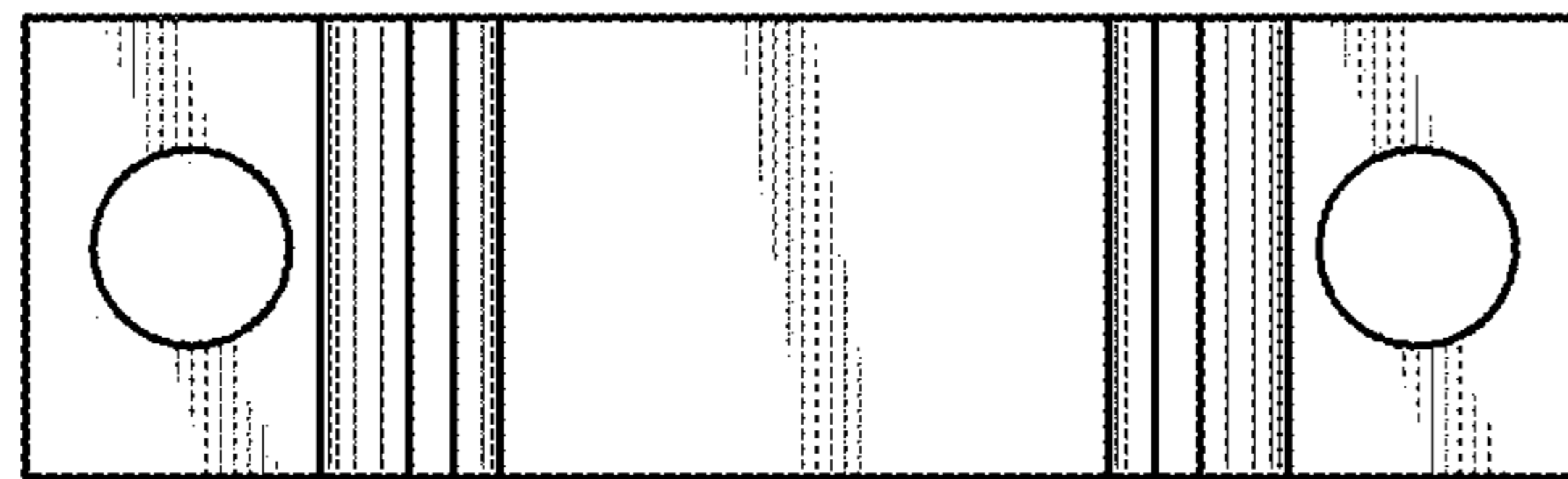


FIG. 3

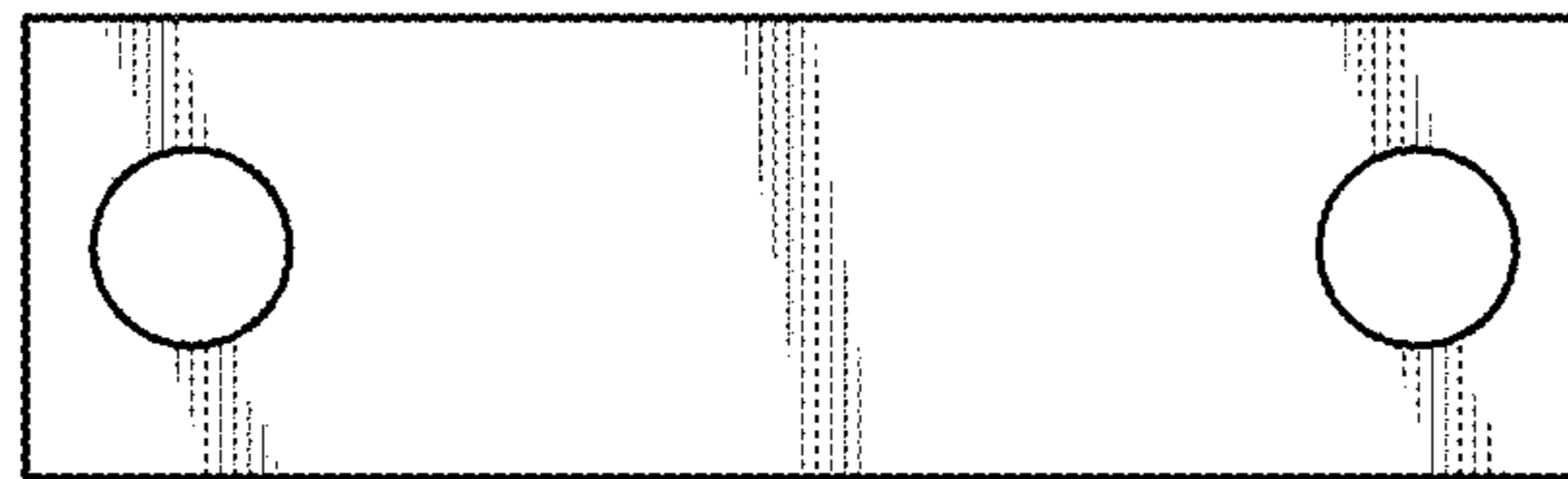


FIG. 4

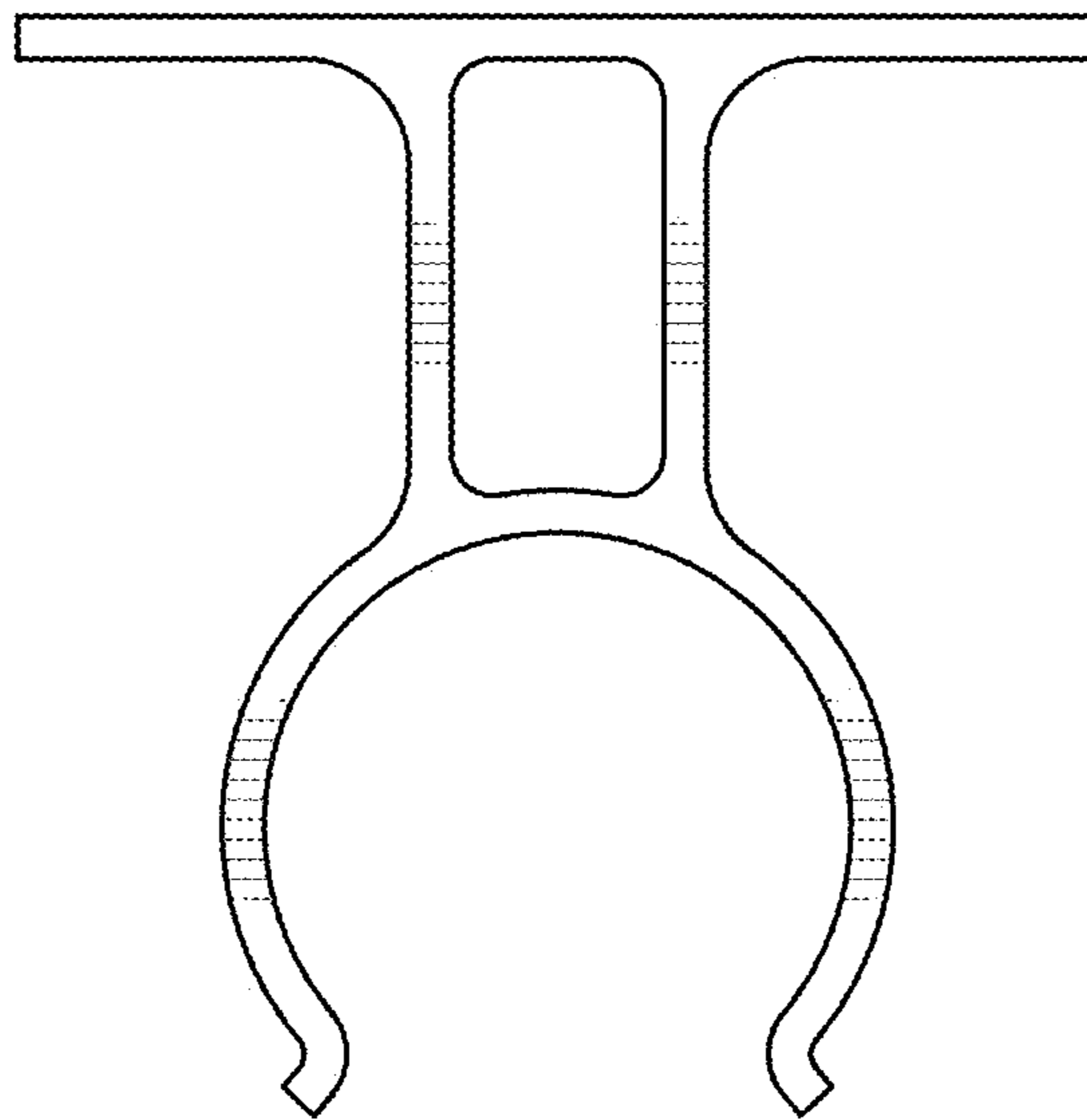


FIG. 5

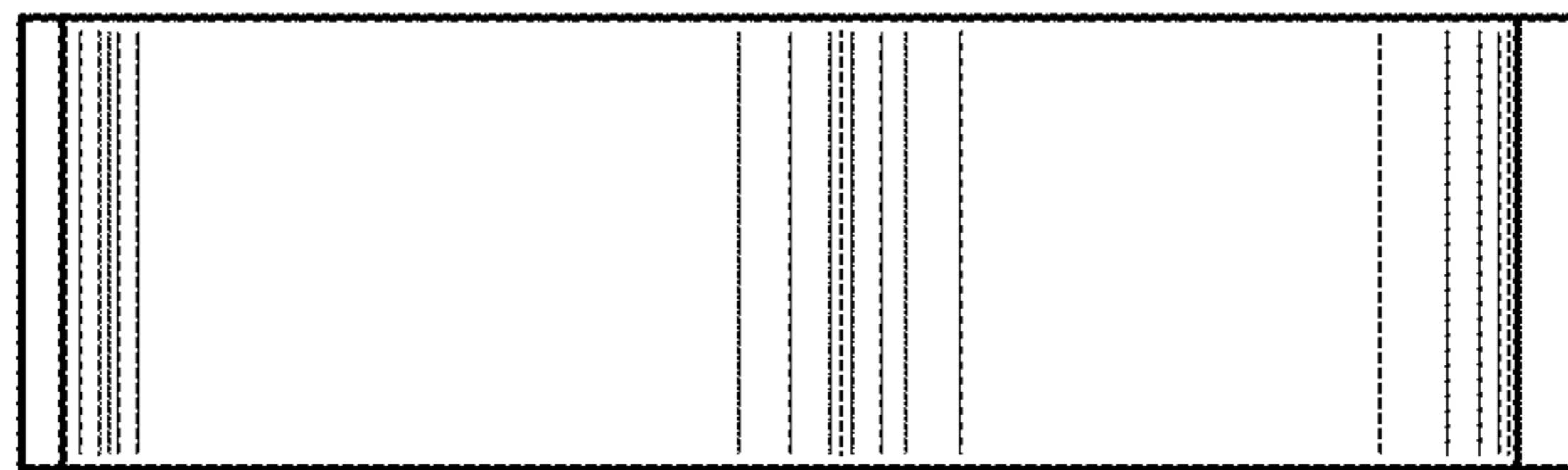


FIG. 6

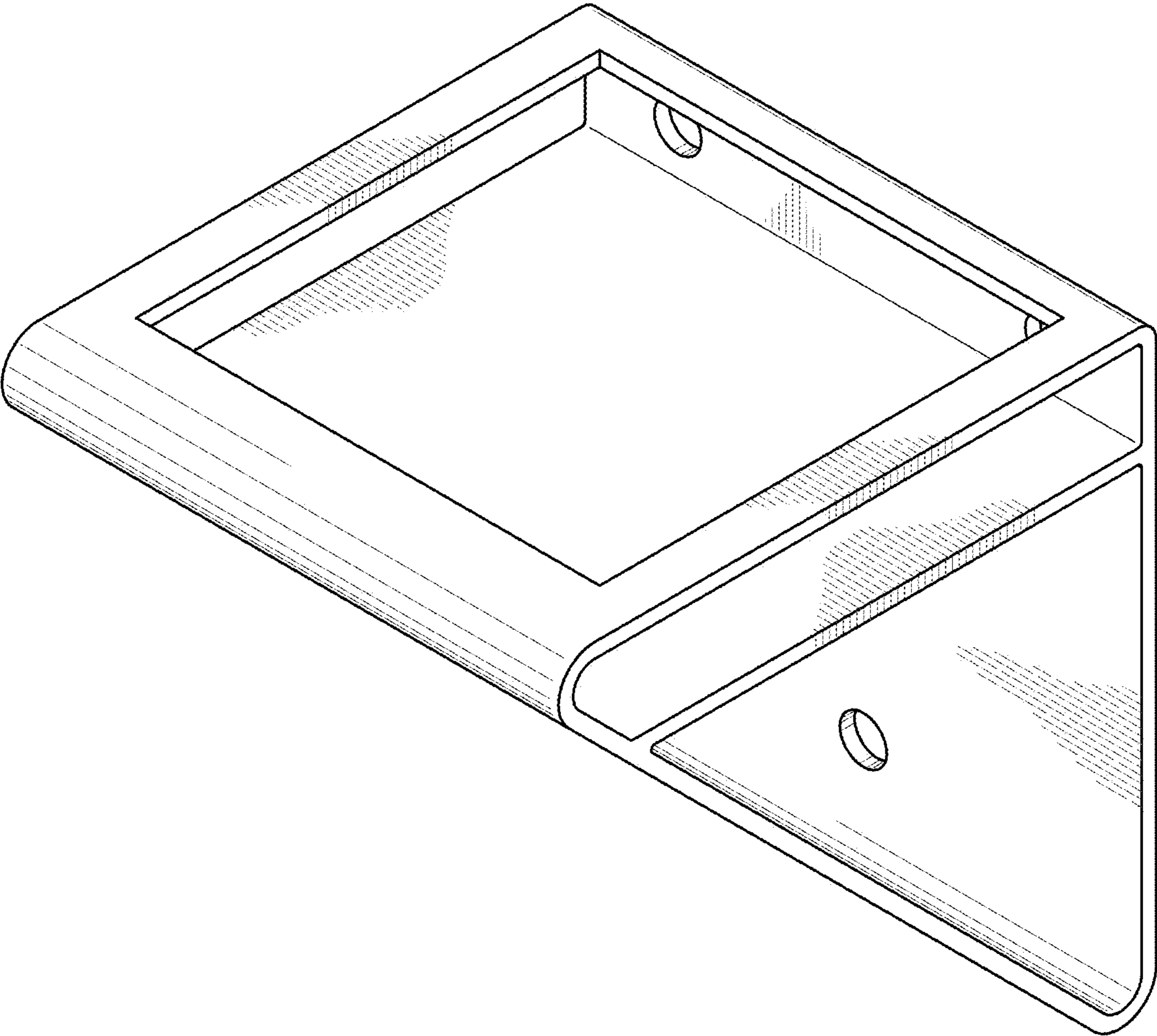


FIG. 7

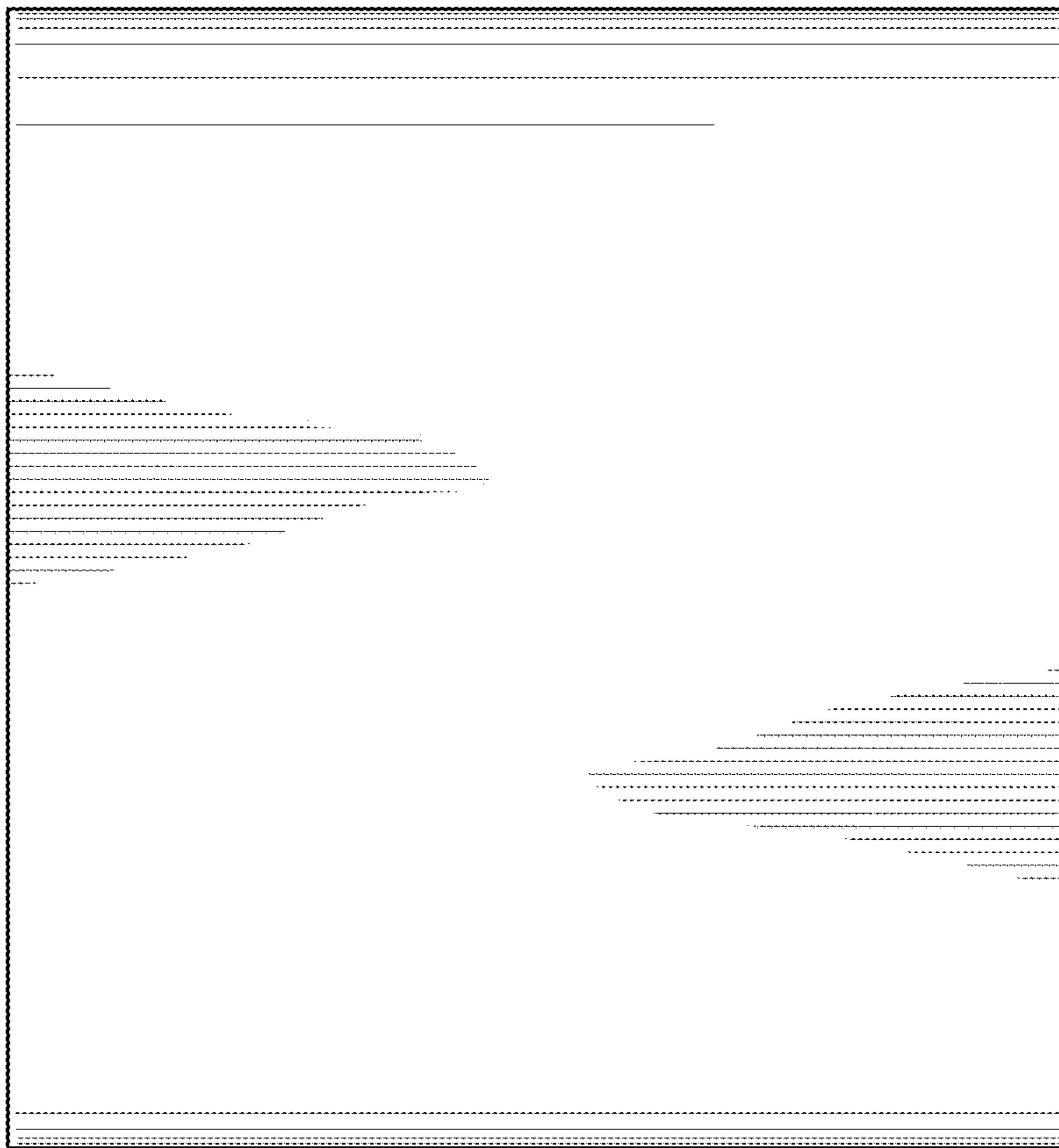


FIG. 8

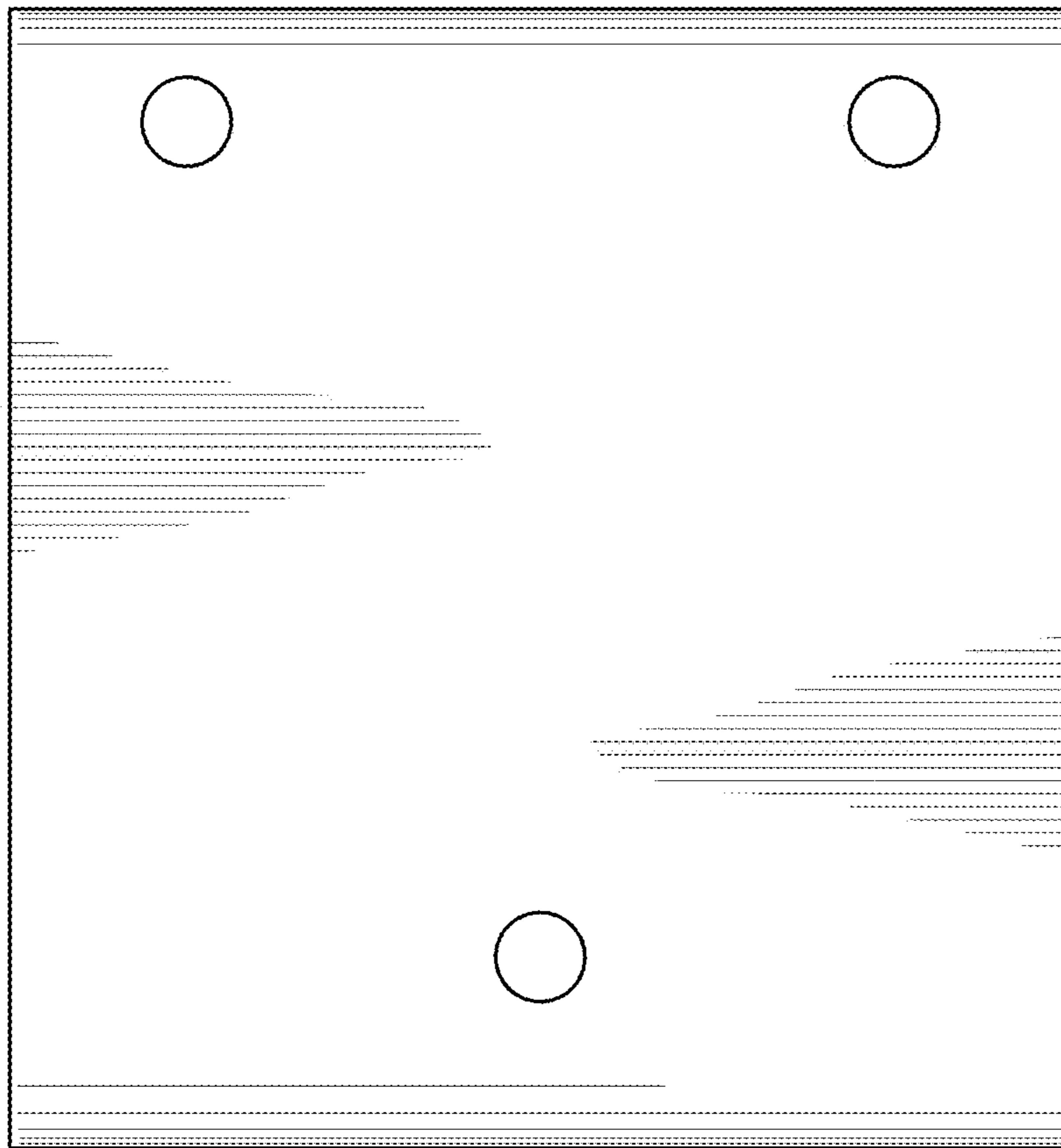


FIG. 9

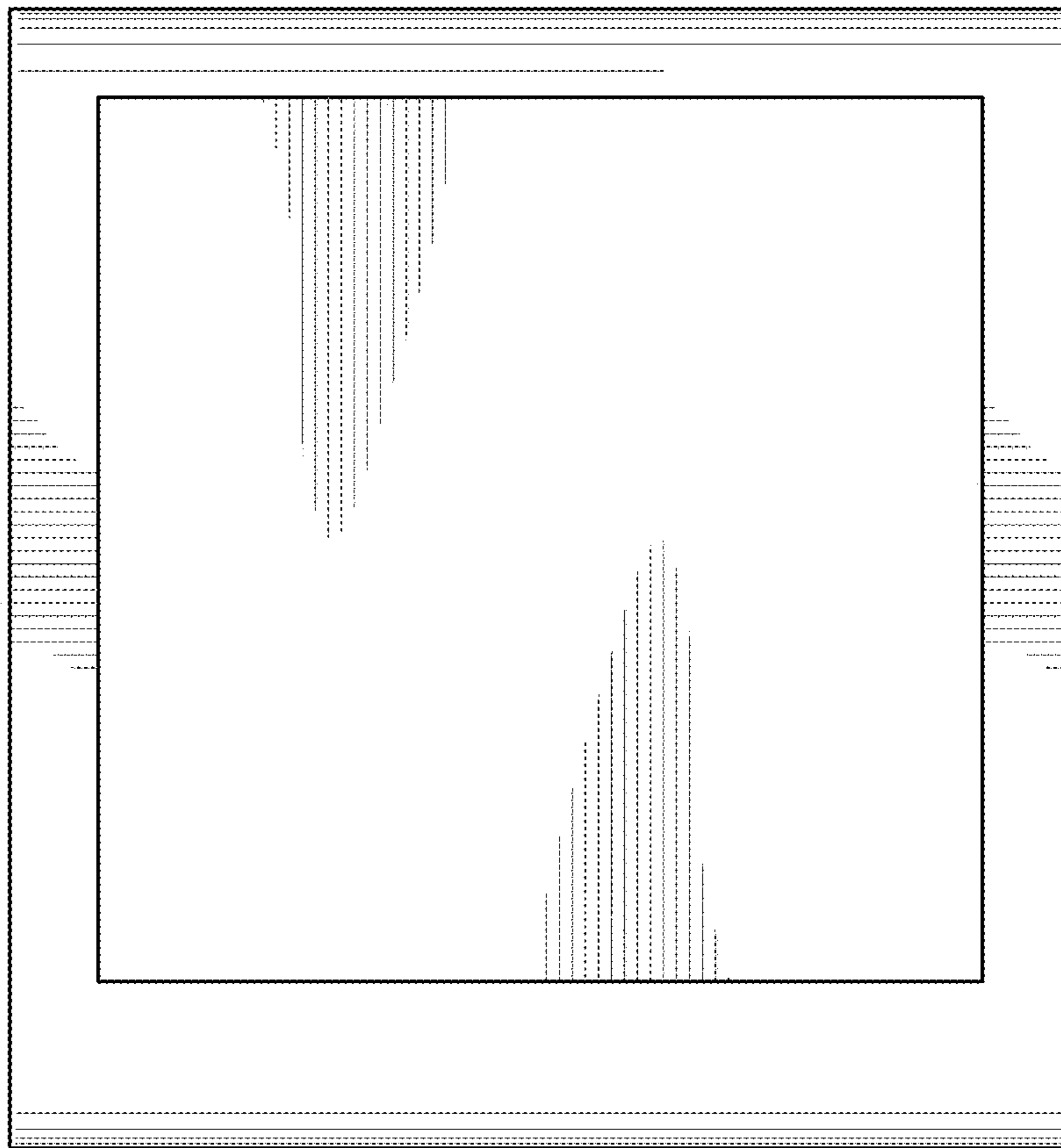


FIG. 10

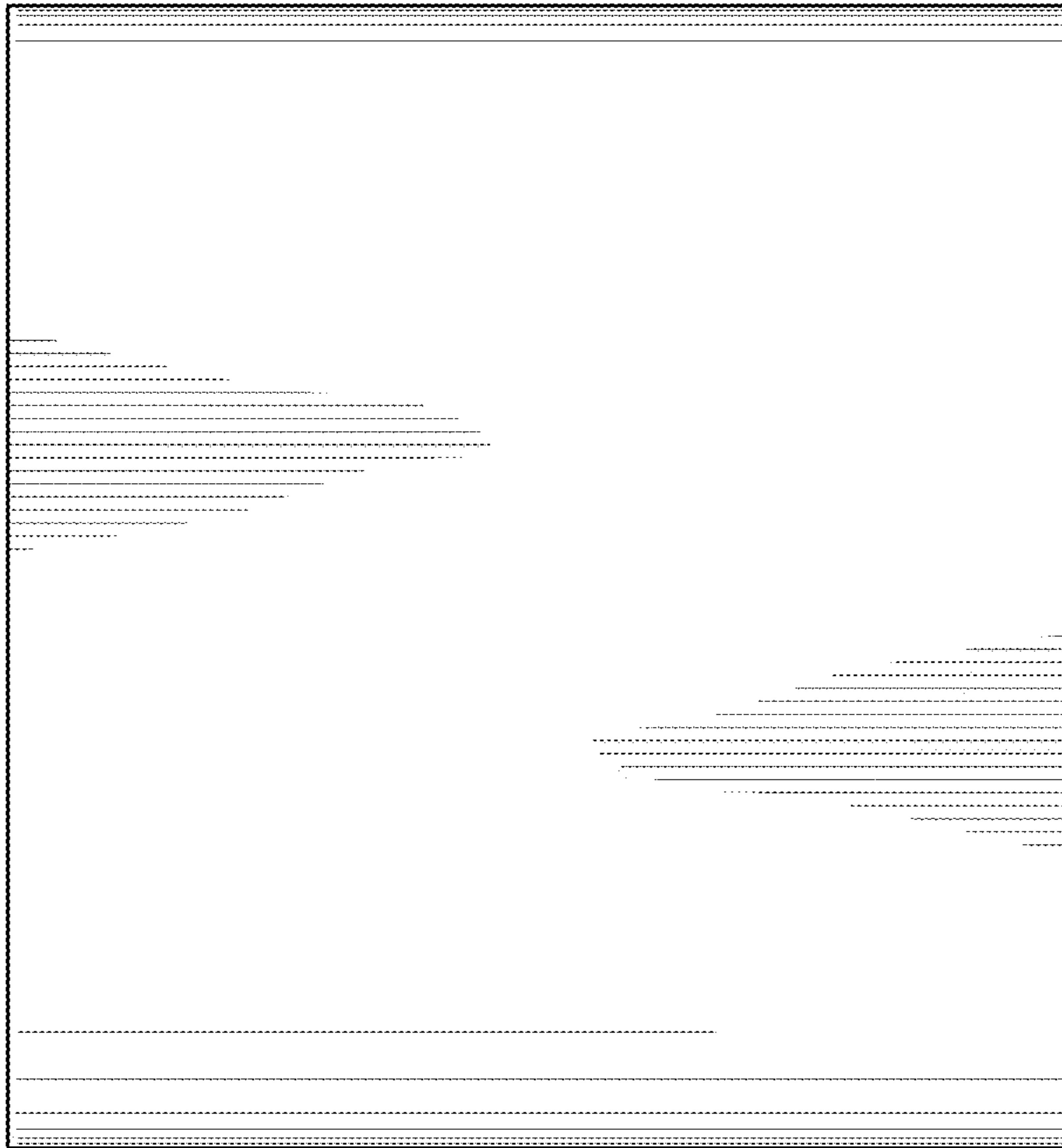


FIG. 11

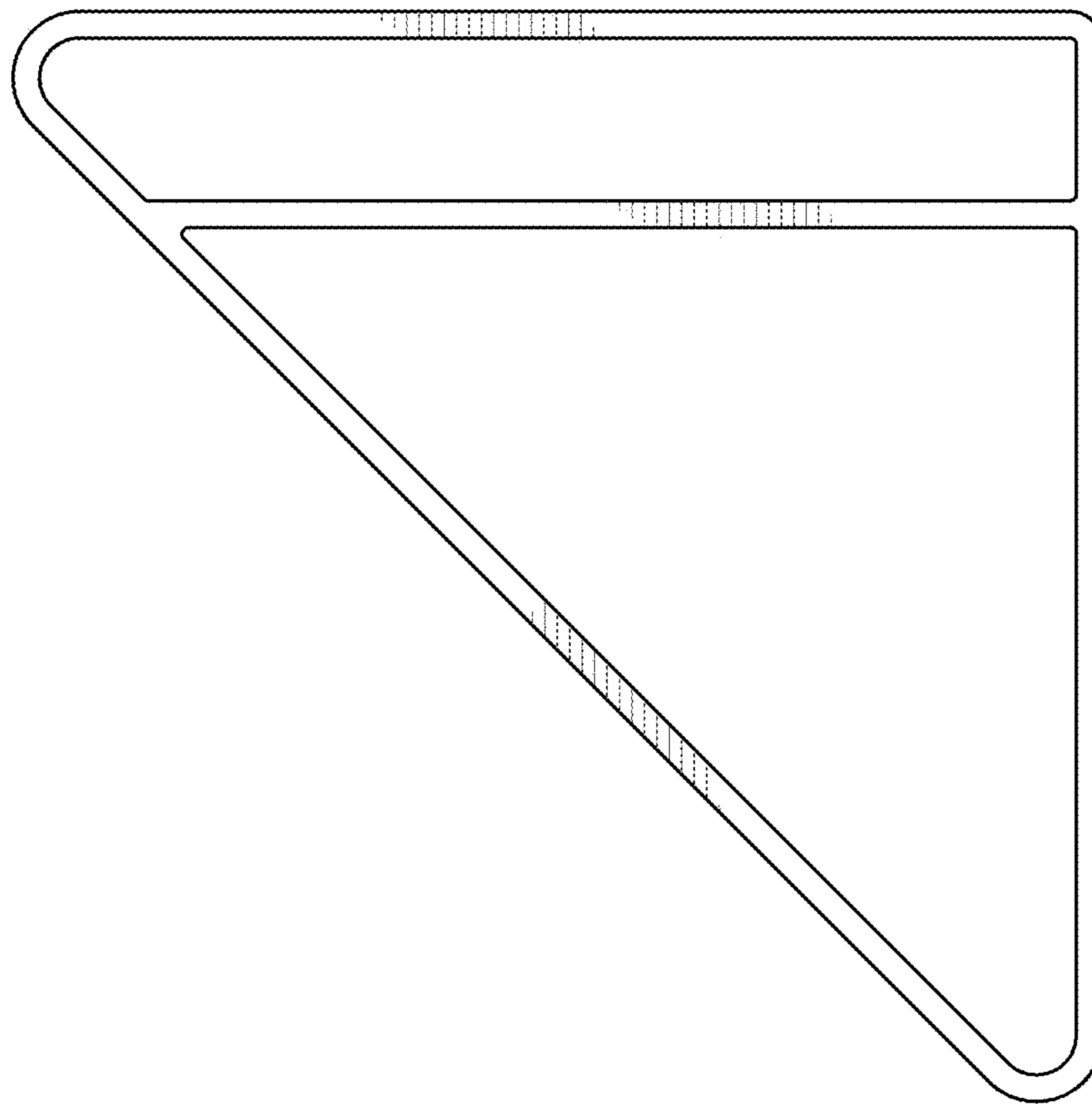


FIG. 12

