



US00D980049S

(12) **United States Design Patent** (10) **Patent No.:** **US D980,049 S**
Desmarais et al. (45) **Date of Patent:** **** Mar. 7, 2023**

(54) **MOUNTABLE HOLDER FOR AN ARTICLE**

- (71) Applicant: **ATHENA CLUB HOLDINGS, INC.**,
New York, NY (US)
- (72) Inventors: **Charles Desmarais**, New York, NY
(US); **Maria Markina**, New York, NY
(US); **Christopher Nicholas**
Hibmacronan, Oakland, CA (US);
Joshua Morenstein, San Francisco, CA
(US); **Jean Soo Hyun**, San Francisco,
CA (US)
- (73) Assignee: **Athena Club Holdings, Inc.**, New
York, NY (US)

(**) Term: **15 Years**

(21) Appl. No.: **29/760,902**

(22) Filed: **Dec. 4, 2020**

(51) **LOC (14) Cl.** **28-03**

(52) **U.S. Cl.**
USPC **D8/373**; D6/526

(58) **Field of Classification Search**
USPC D3/318, 328; D6/524, 526, 552, 553,
D6/554, 555, 566; D8/330, 331, 336,
D8/338, 343, 349, 350, 352, 354, 373;
D12/406, 412; D21/694
CPC A45D 27/29; A45D 2200/25; B26B 21/40;
F16M 16/02
See application file for complete search history.

(56) **References Cited**

U.S. PATENT DOCUMENTS

1,432,822	A	10/1922	Wood
2,385,859	A	10/1945	Jacobson
2,414,653	A	1/1947	Lookholder
2,635,843	A	4/1953	Small

(Continued)

FOREIGN PATENT DOCUMENTS

GB 2218368 11/1989

OTHER PUBLICATIONS

Bille Razor Starter Kit, posted Nov. 22, 2022 [online], [retrieved Nov. 30, 2022]. Retrieved from internet, <https://mybillie.com/products/razor-starter-kit> (Year: 2022).*

Primary Examiner — David G Muller
Assistant Examiner — Christina Gabrielle Cosden
(74) *Attorney, Agent, or Firm* — Ambrose, Mills & Lazarow, PLLC

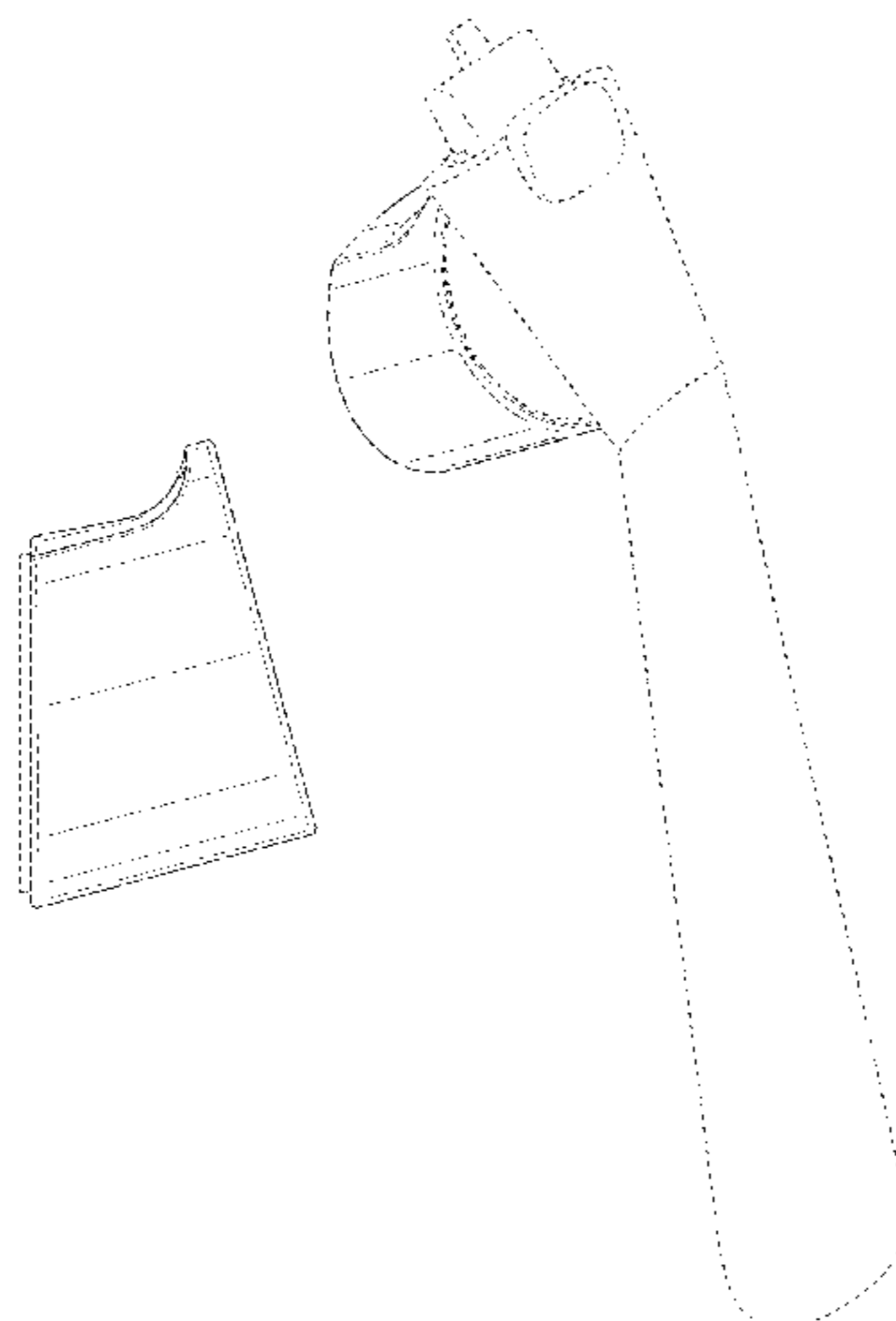
(57) **CLAIM**

The ornamental design for a mountable holder for an article, as shown and described.

DESCRIPTION

FIG. 1 is a front perspective view of a mountable holder for an article, according to an embodiment;
FIG. 2 is a rear perspective view of the mountable holder for an article illustrated in FIG. 1;
FIG. 3 is a front view of the mountable holder for an article illustrated in FIG. 1;
FIG. 4 is a rear view of the mountable holder for an article illustrated in FIG. 1;
FIG. 5 is a left side view of the mountable holder for an article illustrated in FIG. 1;
FIG. 6 is a right side view of the mountable holder for an article illustrated in FIG. 1;
FIG. 7 is a top view of the mountable holder for an article illustrated in FIG. 1;
FIG. 8 is a bottom view of the mountable holder for an article illustrated in FIG. 1; and,
FIG. 9 is a front perspective view of the mountable holder for an article illustrated in FIG. 1, shown in an example use configuration with a razor handle coupled thereto.
The broken lines in the figures show portions of the mountable holder for an article, as well as use and environment, that form no part of the claimed design.

1 Claim, 9 Drawing Sheets



(56)

References Cited

U.S. PATENT DOCUMENTS

2,639,880	A	5/1953	Belloff et al.	6,415,517	B1	7/2002	Worrick, III
2,642,999	A	6/1953	McPherson	6,888,940	B1	5/2005	Deppen
2,705,834	A	4/1955	Lundy	7,040,024	B2	5/2006	Lukan et al.
2,960,237	A	11/1960	McEney	7,163,181	B2	1/2007	Omps
2,966,992	A	1/1961	Dunkelberger et al.	7,310,035	B2	12/2007	Wooten
3,007,568	A	11/1961	Kurland	7,506,854	B2	3/2009	Lukan
3,031,757	A	5/1962	Kramer	7,654,003	B2	2/2010	Simms et al.
3,159,372	A	12/1964	McIntosh	D647,496	S	10/2011	Tung
3,171,176	A	3/1965	Shirley	8,185,998	B2	5/2012	Xu
3,229,820	A	1/1966	Hentzi et al.	8,205,846	B2	6/2012	Glunk
3,239,178	A	3/1966	Pompa	8,573,548	B2	11/2013	Kuhn et al.
3,337,100	A	8/1967	Berning	8,936,222	B1	1/2015	Bastian et al.
3,346,952	A *	10/1967	Harris B26B 29/00 30/541	9,560,923	B1	2/2017	Winnard
3,472,391	A	10/1969	Bolognesi	10,104,950	B1	10/2018	Provost et al.
3,754,326	A	8/1973	Glaberson	10,357,093	B2	7/2019	Atlason et al.
D235,150	S	5/1975	Terman	10,631,612	B2	4/2020	Atlason et al.
4,198,745	A	4/1980	Moehlenpah	2002/0153863	A1	10/2002	Arndt
4,275,862	A	6/1981	Takagi et al.	2003/0070998	A1	4/2003	Bulka
4,450,980	A	5/1984	Clabby et al.	2004/0188576	A1	9/2004	Carnevali
4,644,645	A	2/1987	Audet	2004/0200080	A1	10/2004	Lauri
4,830,321	A	5/1989	Irie	2006/0032055	A1	2/2006	Simms et al.
5,064,159	A	11/1991	Kotick	2007/0017833	A1 *	1/2007	Lukan A45D 27/29 206/228
5,083,733	A	1/1992	Marino et al.	2007/0220754	A1	9/2007	Barbaro et al.
5,163,566	A	11/1992	Hempel	2009/0056141	A1	3/2009	Barry et al.
D333,583	S *	3/1993	Hurd D6/526	2009/0184015	A1	7/2009	Ruppert
5,228,580	A	7/1993	Grange	2010/0257744	A1	10/2010	Malkewich
5,417,397	A	5/1995	Harnett	2010/0325904	A1	12/2010	West
5,457,887	A	10/1995	Grange	2015/0320178	A1	11/2015	Fish
5,517,712	A	5/1996	Schiano	2017/0043492	A1	2/2017	Robertson et al.
5,615,858	A	4/1997	Sferruzza, Jr.	2017/0280849	A1	10/2017	Provost et al.
5,760,668	A	6/1998	Testa et al.	2018/0079095	A1	3/2018	Robertson et al.
5,903,978	A	5/1999	Prochaska et al.	2019/0098982	A1 *	4/2019	Atlason A45D 27/29
6,076,790	A	6/2000	Richter	2020/0128938	A1	4/2020	Atlason et al.
6,135,408	A	10/2000	Richter	2020/0178669	A1 *	6/2020	Johnson B26B 19/3833
6,367,126	B1	4/2002	Rivkin	2020/0338768	A1 *	10/2020	Dixon B26B 21/523
				2021/0282526	A1 *	9/2021	Szczepanowski B26B 21/40
				2022/0175108	A1 *	6/2022	Desmarais B26B 21/40

* cited by examiner

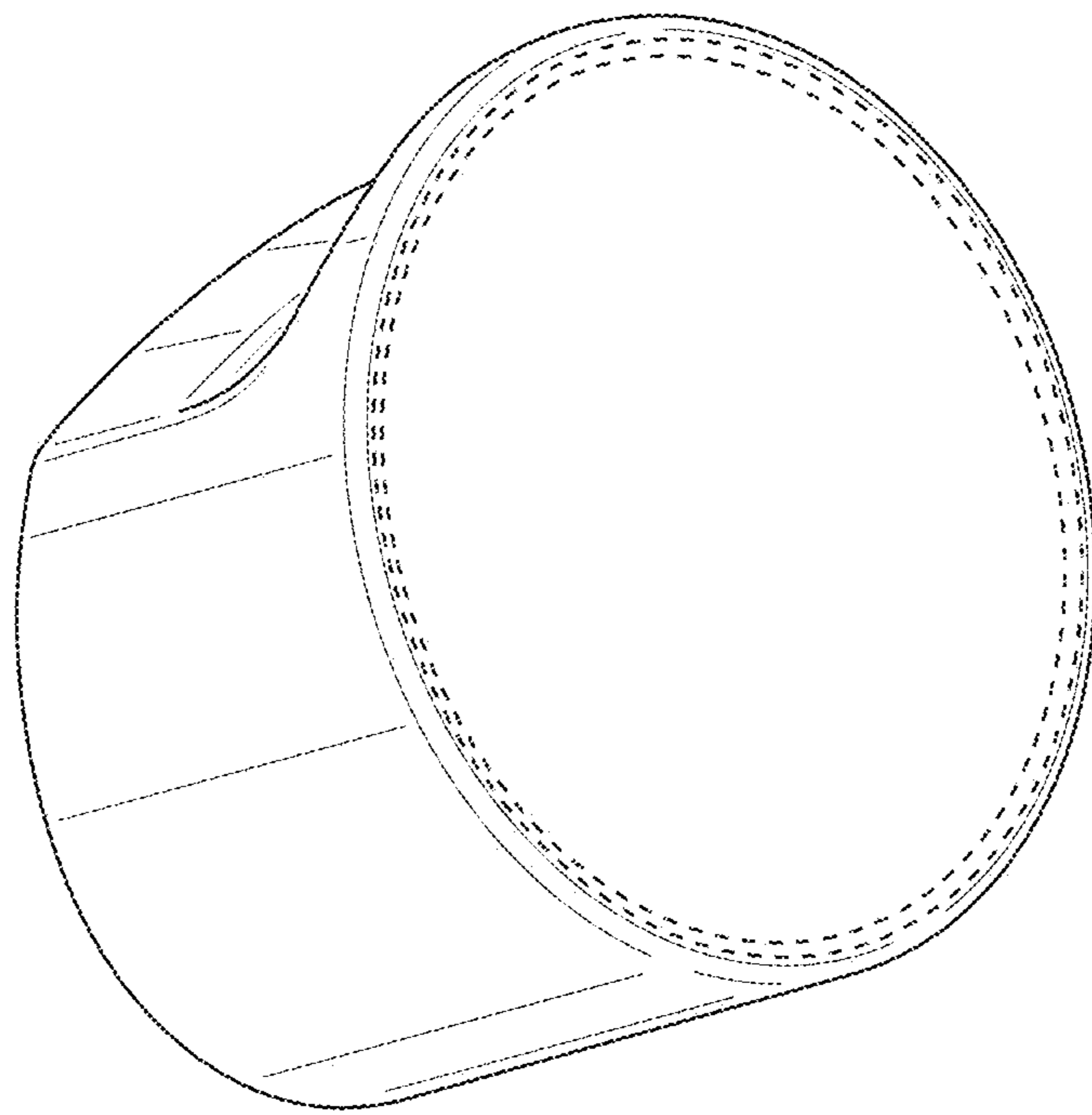


FIG. 1

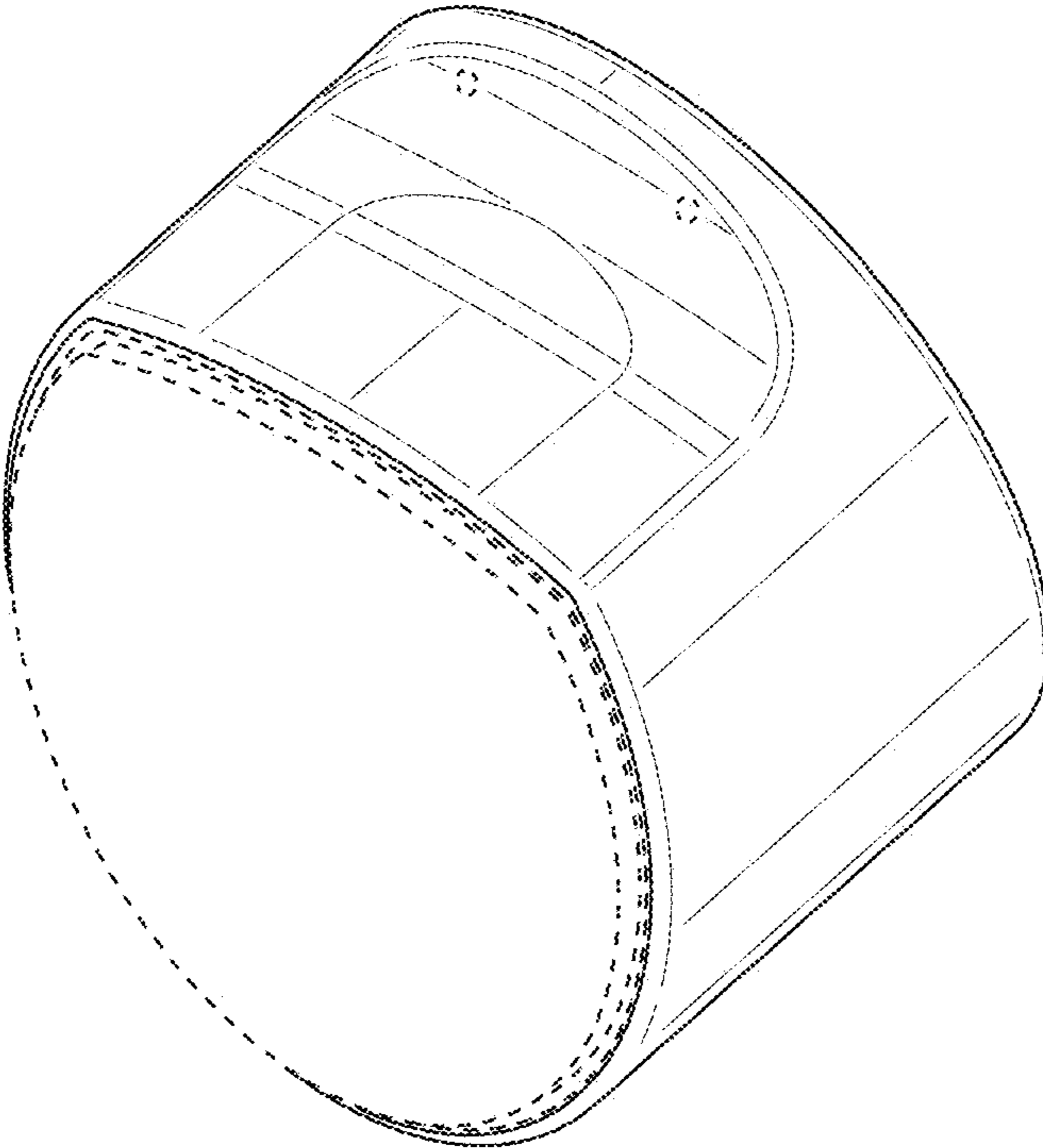


FIG. 2

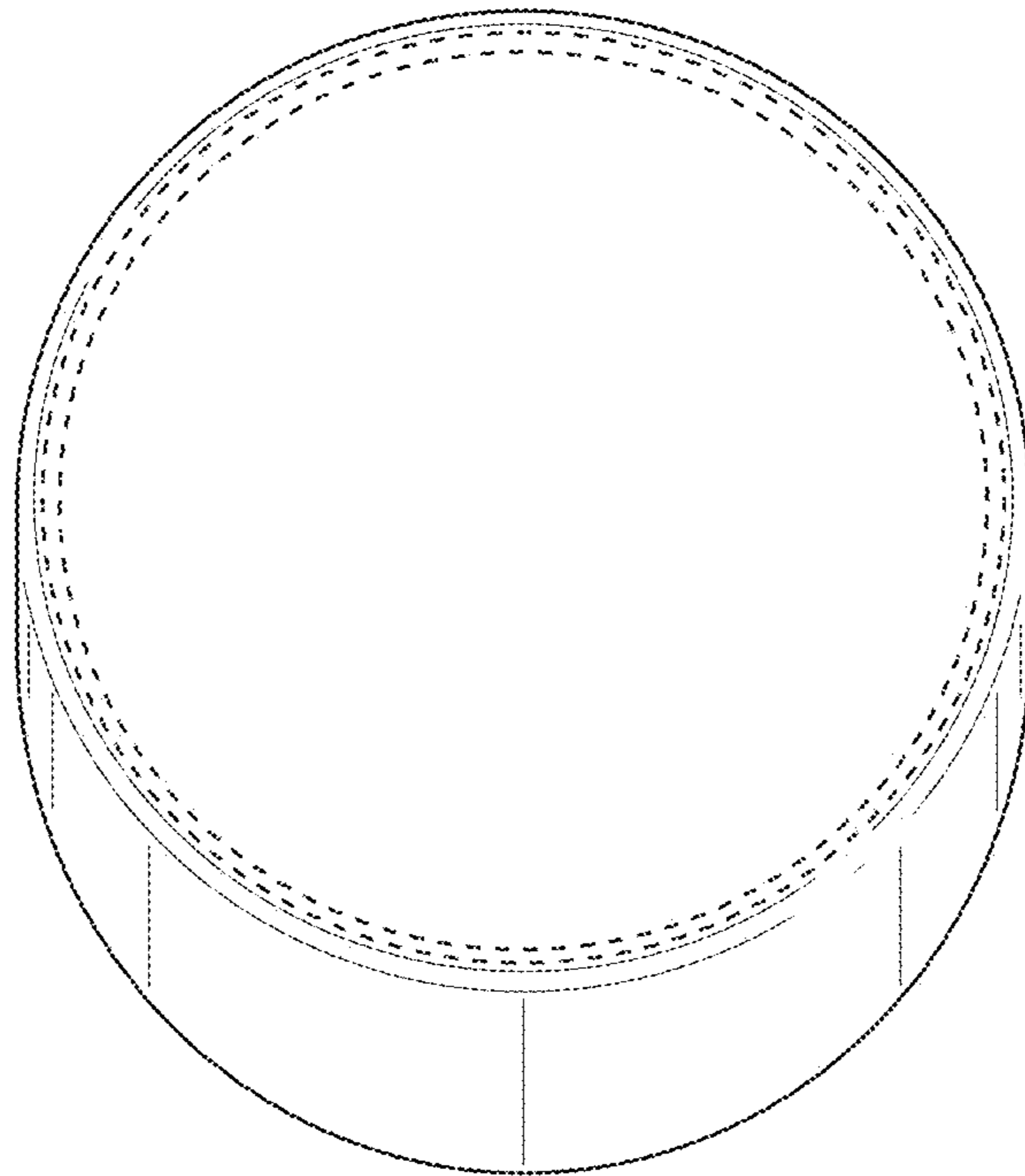


FIG. 3

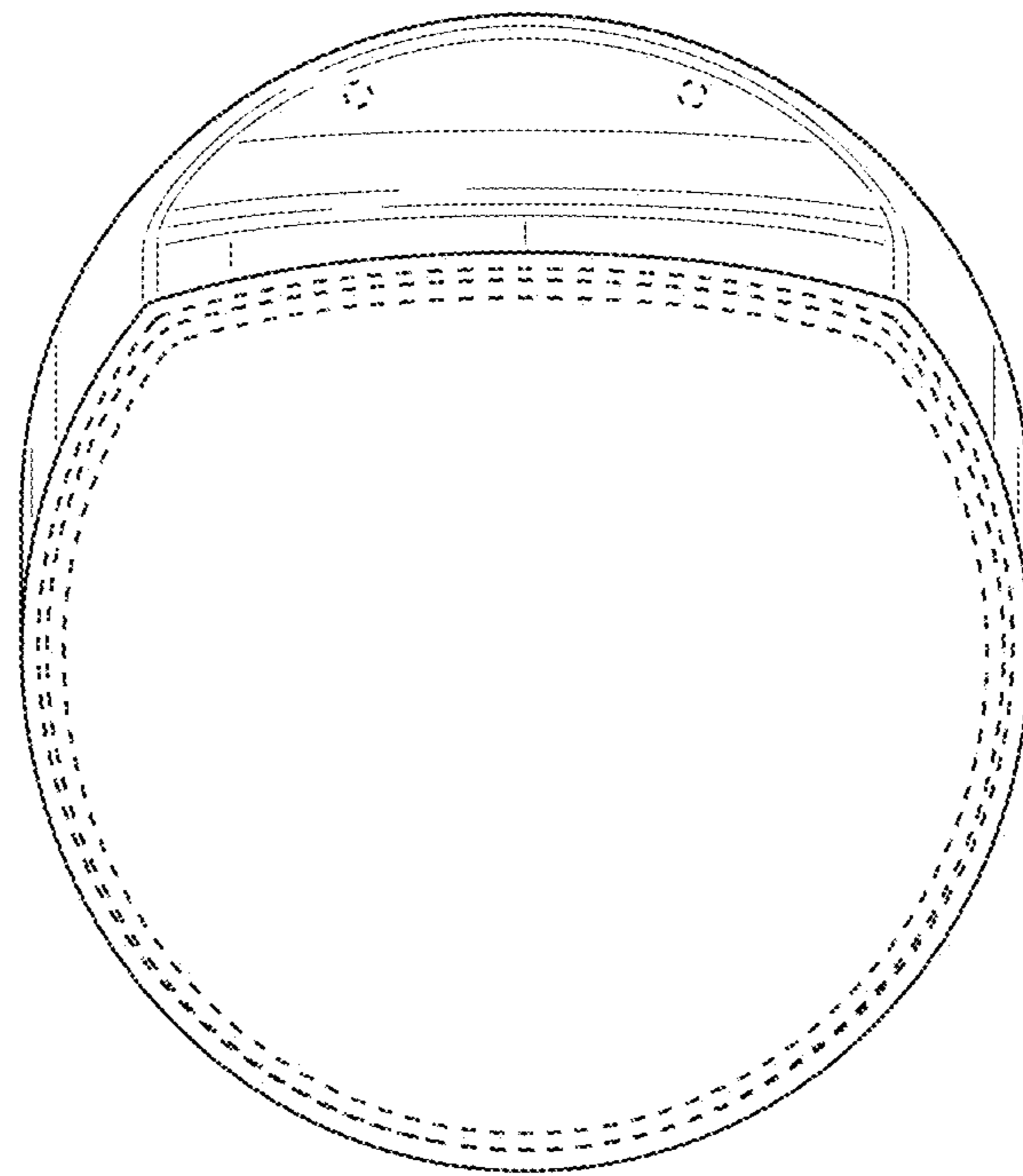


FIG. 4

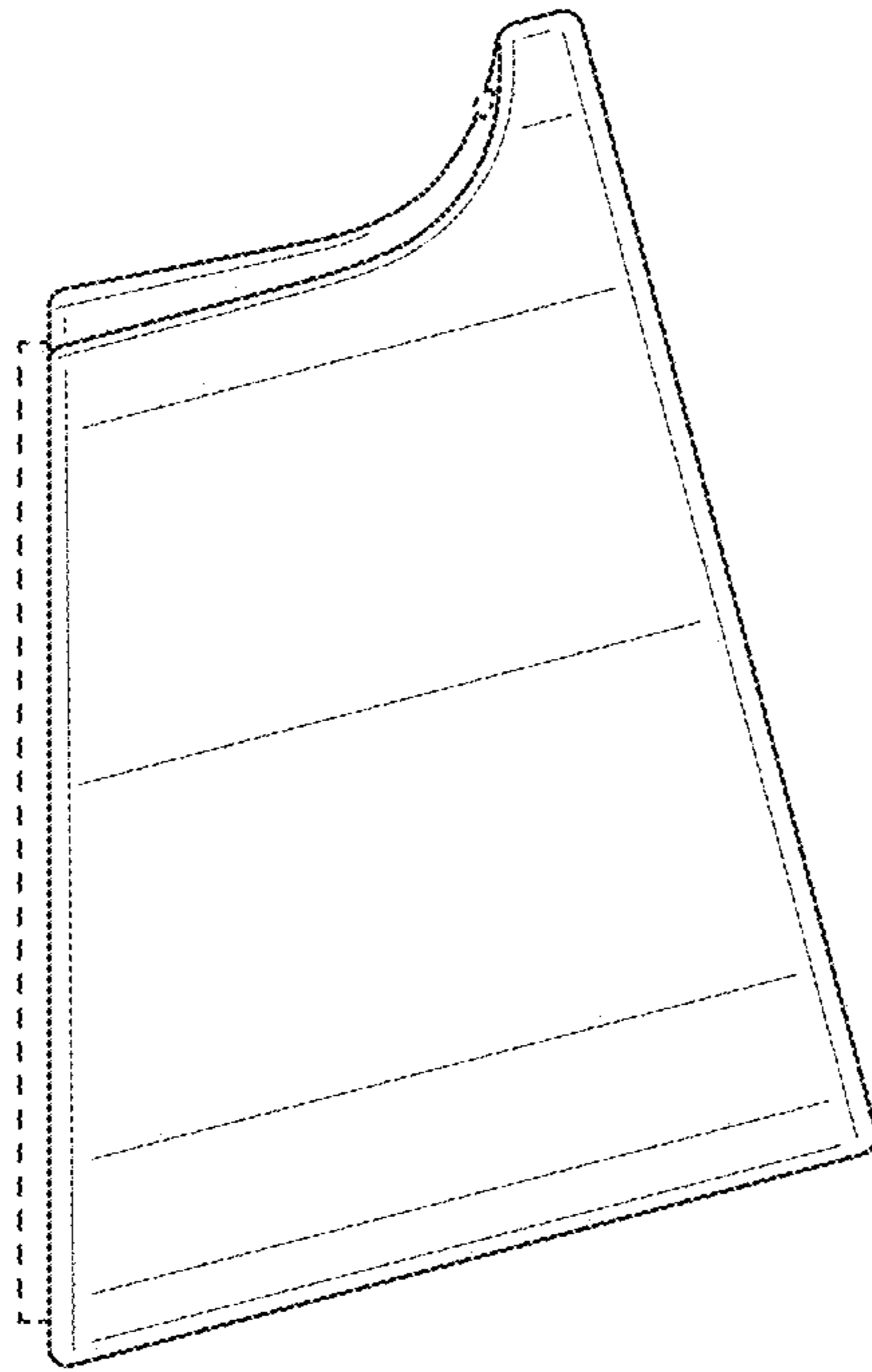


FIG. 5

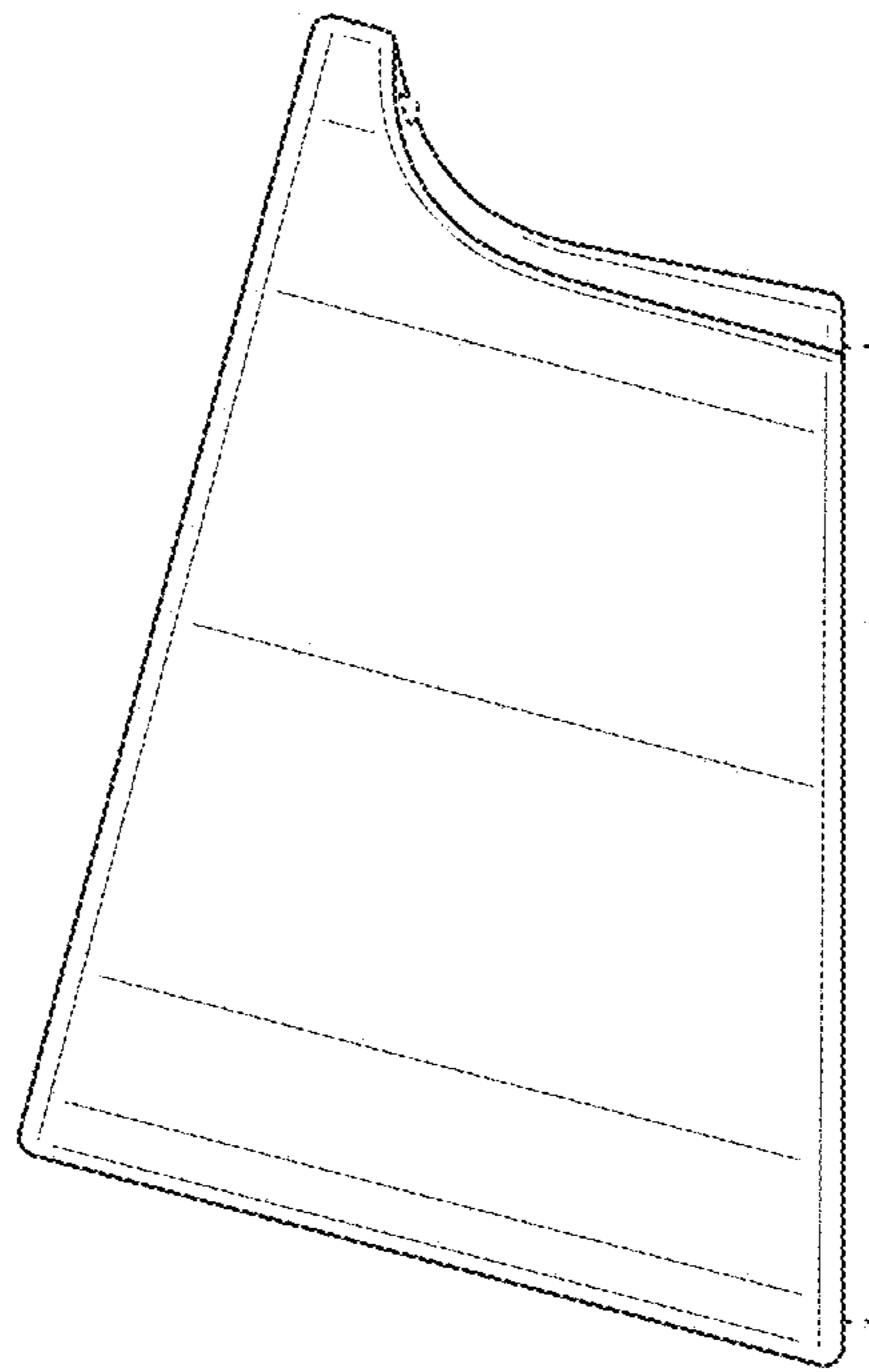


FIG. 6

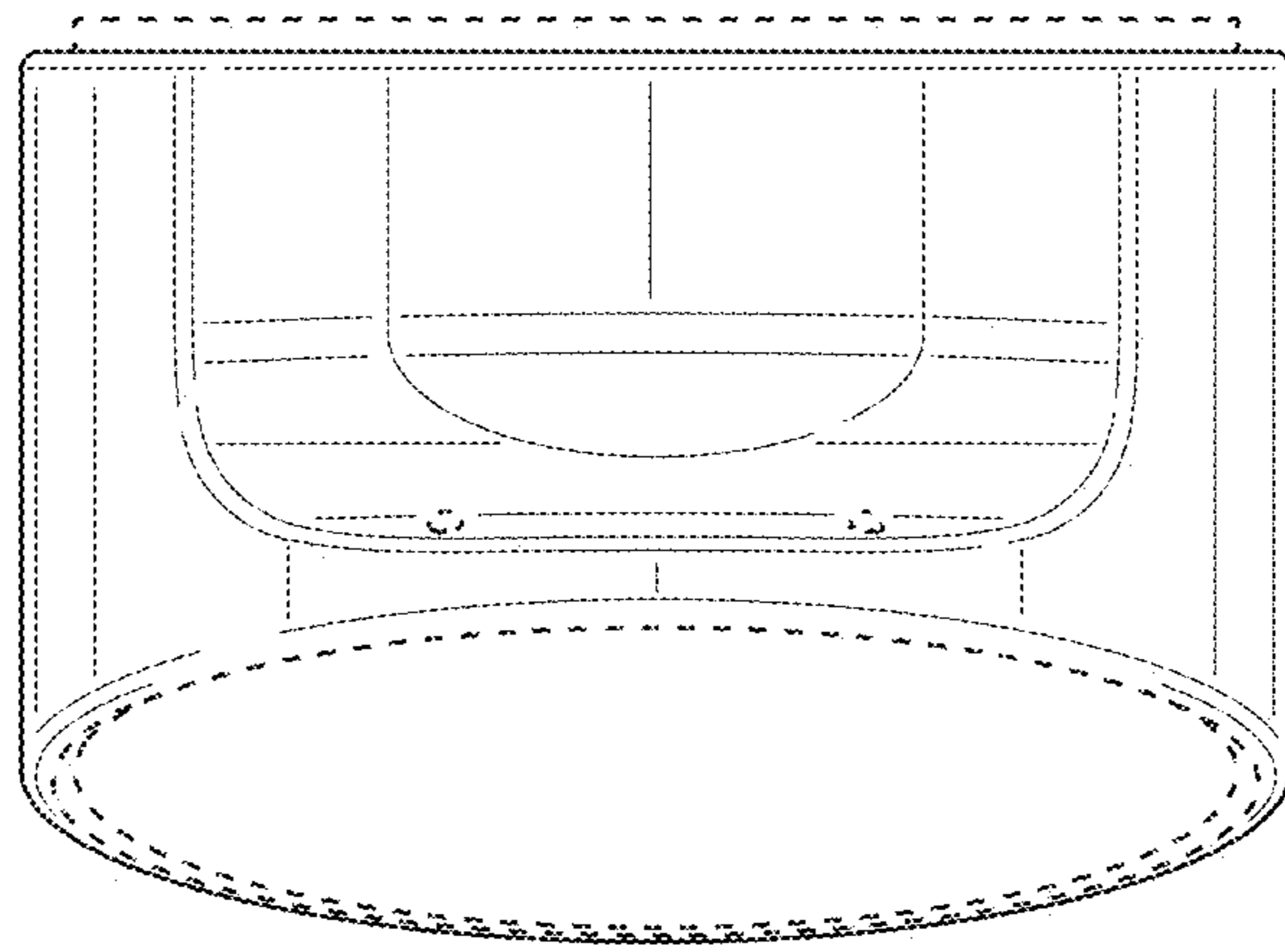


FIG. 7

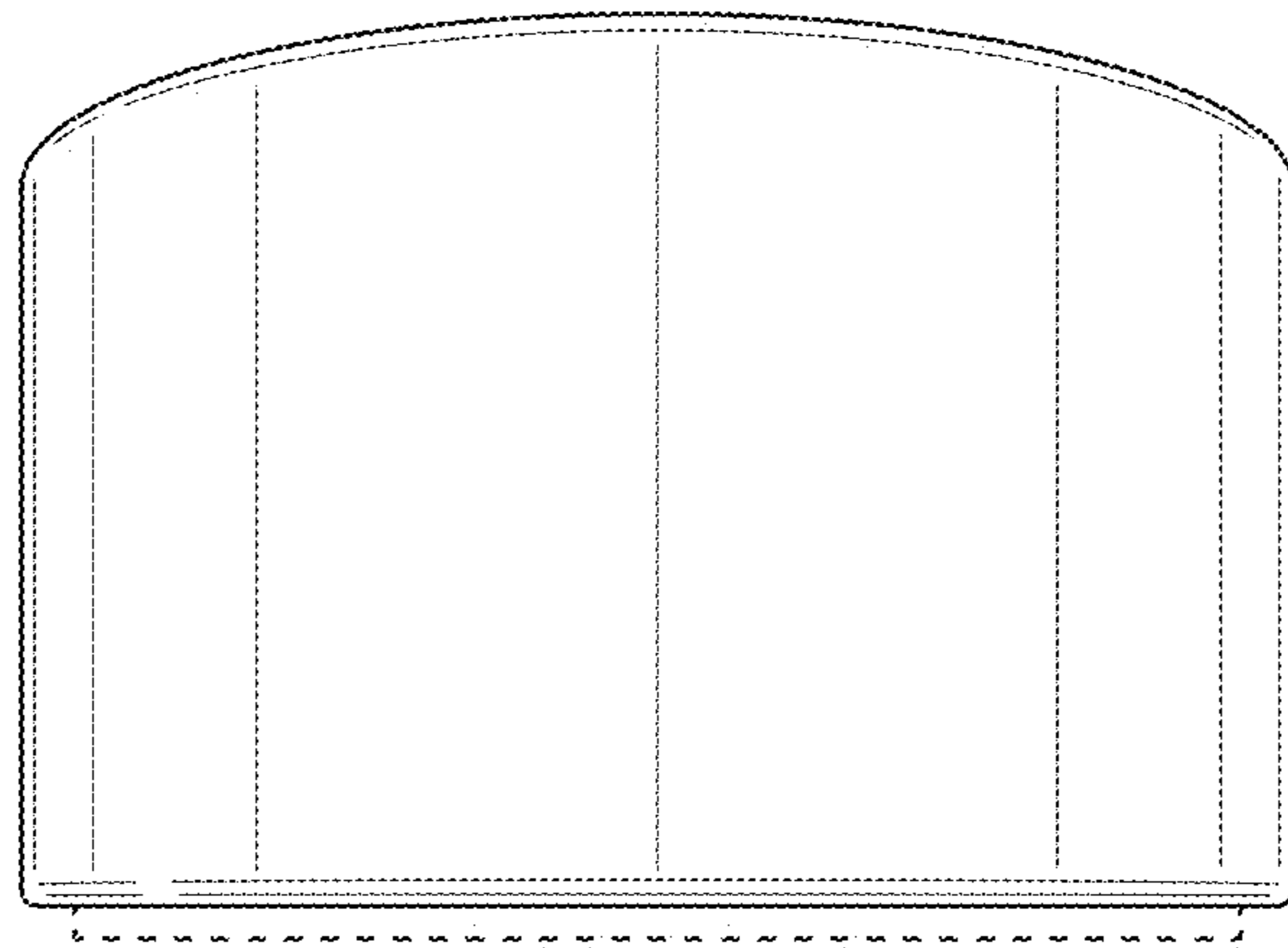


FIG. 8

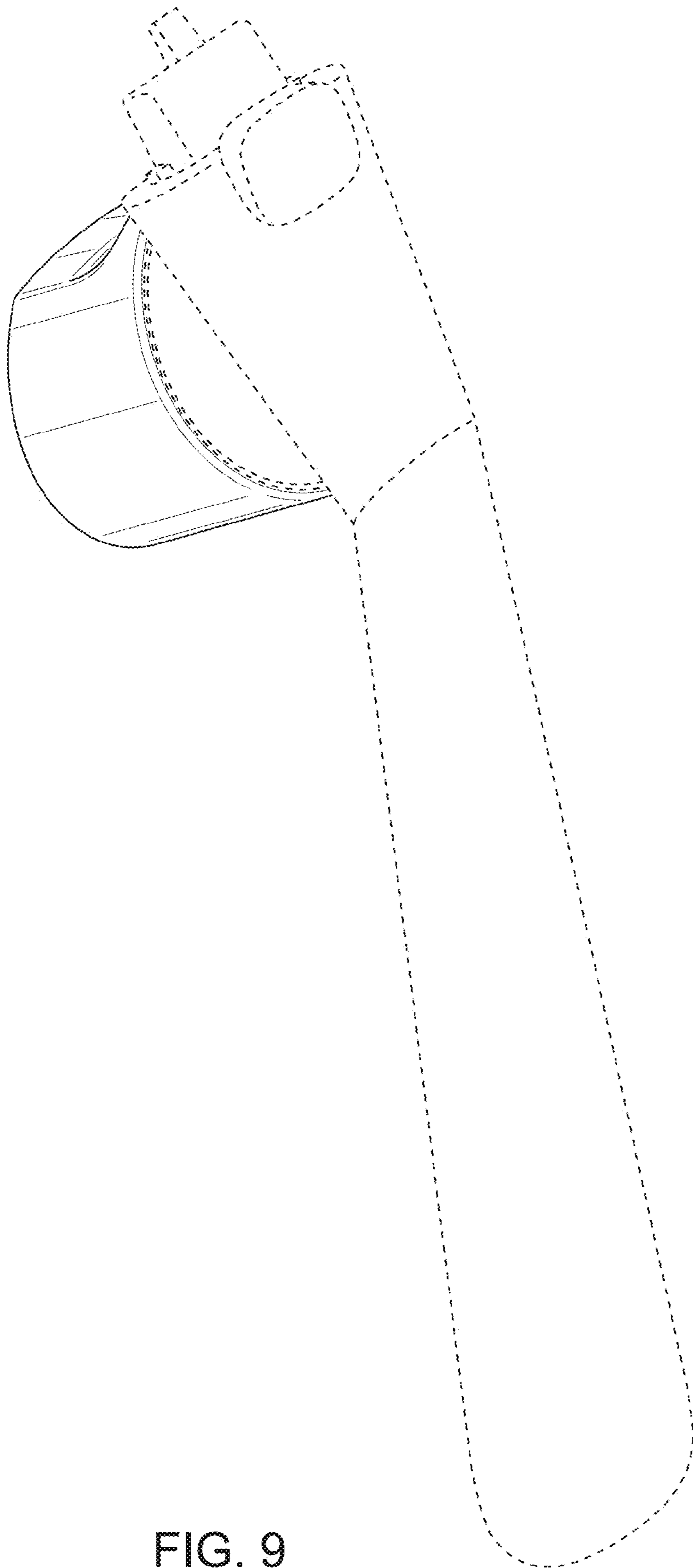


FIG. 9