



US00D980048S

(12) **United States Design Patent** (10) **Patent No.:** **US D980,048 S**  
**Wexler et al.** (45) **Date of Patent:** **\*\* Mar. 7, 2023**

- (54) **HANGER SYSTEM**
- (71) Applicant: **Medline Industries, LP**, Northfield, IL (US)
- (72) Inventors: **Paige Wexler**, Highland Park, IL (US); **Joshua Bobo**, Round Lake, IL (US); **John Piazza**, Chicago, IL (US)
- (73) Assignee: **Medline Industries, LP**, Northfield, IL (US)

4,228,738 A	10/1980	Forshee
4,228,980 A	10/1980	Beauchamp et al.
4,229,857 A	10/1980	Toder
5,186,232 A	2/1993	Zahner
5,335,890 A	8/1994	Pryor et al.
5,586,375 A	12/1996	Cooperman et al.
5,586,595 A	12/1996	Takizawa et al.
5,598,785 A	2/1997	Zaguroli
5,615,461 A	4/1997	Tominaga et al.
6,189,597 B1	2/2001	Cheng
6,223,389 B1	5/2001	Walsh et al.
6,382,297 B1	5/2002	Takizawa
6,494,248 B1	12/2002	Zahner

(Continued)

- (\*\*) Term: **15 Years**
- (21) Appl. No.: **29/707,729**
- (22) Filed: **Sep. 30, 2019**

**Related U.S. Application Data**

- (63) Continuation-in-part of application No. 16/045,391, filed on Jul. 25, 2018, now Pat. No. 10,799,055.
- (51) **LOC (14) Cl.** ..... **08-05**
- (52) **U.S. Cl.**  
USPC ..... **D8/373**
- (58) **Field of Classification Search**  
USPC ..... D8/367, 373, 363; D6/580; D24/184  
CPC ..... A47H 13/14  
See application file for complete search history.

**References Cited**

**U.S. PATENT DOCUMENTS**

443,981 A	12/1890	Braren
2,652,586 A	9/1953	Ramsberger
2,837,804 A	6/1958	Danell
2,979,760 A	4/1961	Sladky
3,192,994 A	7/1965	Graber et al.
3,688,717 A	9/1972	Rudolph et al.
3,881,218 A	5/1975	Palmer
3,989,283 A	11/1976	Pepper
4,031,943 A	6/1977	Silvestre
4,190,927 A	3/1980	Hepperle

**OTHER PUBLICATIONS**

Obrien, Jeffrey D., "Notice of Allowance", U.S. Appl. No. 17/066,123, filed Oct. 8, 2013; dated Jun. 29, 2021.

(Continued)

*Primary Examiner* — Eliza Z Harvey

(74) *Attorney, Agent, or Firm* — Philip H. Burrus, IV

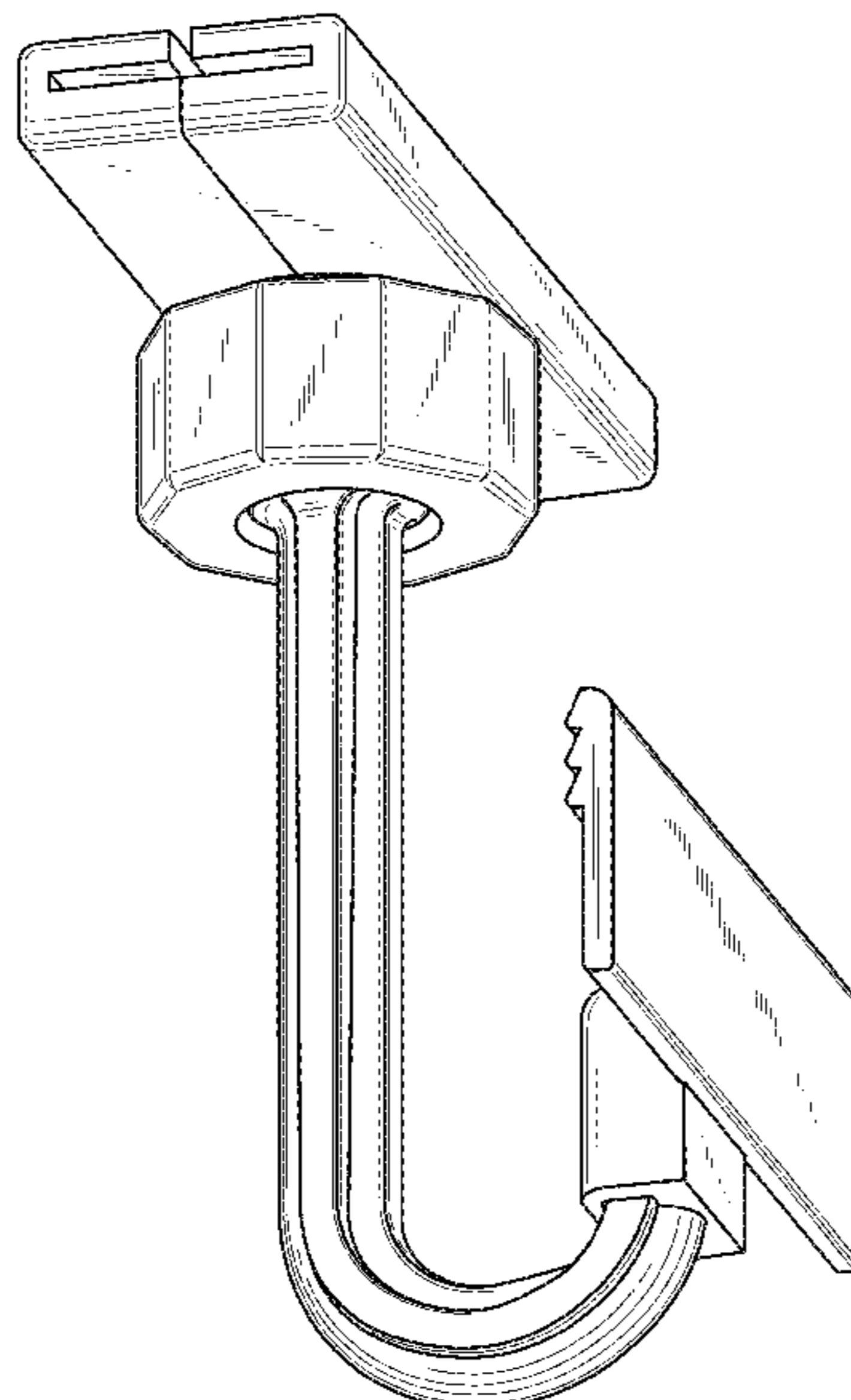
(57) **CLAIM**

The ornamental design for hanger system, as shown and described.

**DESCRIPTION**

FIG. 1 is a first perspective view of a hanger system, showing our new design;  
 FIG. 2 is a second perspective view thereof;  
 FIG. 3 is a third perspective view thereof;  
 FIG. 4 is a fourth perspective view thereof;  
 FIG. 5 is a right elevation view thereof;  
 FIG. 6 is a left elevation view thereof;  
 FIG. 7 is a front elevation view thereof;  
 FIG. 8 is a rear elevation view thereof;  
 FIG. 9 is a top plan view thereof; and,  
 FIG. 10 is a bottom plan view thereof.

**1 Claim, 10 Drawing Sheets**



(56)

References Cited

U.S. PATENT DOCUMENTS

6,530,120 B2 3/2003 Samelson  
 D472,795 S 4/2003 Saxby  
 6,698,061 B2 3/2004 Ho  
 6,866,082 B1 3/2005 Zahner  
 6,935,402 B2 8/2005 Zahner  
 7,003,848 B2 2/2006 Ho  
 D551,541 S \* 9/2007 Kuo ..... D8/367  
 D551,950 S 10/2007 Davenport  
 7,296,609 B2 11/2007 Zahner  
 7,523,778 B2 4/2009 Roberts et al.  
 D613,585 S \* 4/2010 Haddock ..... D8/367  
 7,698,781 B2 4/2010 Cai  
 7,757,347 B1 7/2010 Wiker  
 7,788,769 B2 9/2010 Wiker et al.  
 8,118,078 B2 2/2012 Freedland  
 8,151,385 B2 4/2012 Goskowski et al.  
 8,235,088 B2 8/2012 Zahner  
 D668,091 S 10/2012 Zahner  
 D669,721 S 10/2012 Zahner  
 8,307,499 B2 11/2012 Ruffo et al.  
 8,408,275 B2 4/2013 DeWees et al.  
 8,719,974 B2 5/2014 Empey  
 9,022,333 B2 5/2015 Chen et al.  
 D746,078 S 12/2015 Zahner  
 9,572,447 B2 2/2017 Pierce  
 D796,941 S \* 9/2017 Smith ..... D8/367  
 9,861,222 B2 1/2018 Bauer et al.  
 10,045,649 B2 8/2018 Zahner  
 10,085,582 B2 10/2018 Zahner  
 10,264,908 B2 4/2019 Hatton et al.  
 D864,699 S \* 10/2019 Blaney ..... D8/367  
 D873,120 S \* 1/2020 Couvion ..... D8/367  
 10,568,450 B2 2/2020 James et al.  
 D881,682 S \* 4/2020 Yang ..... D8/367  
 10,758,072 B2 9/2020 Hatton et al.  
 10,799,055 B2 10/2020 McNabb  
 D909,189 S 2/2021 Muller  
 D961,363 S \* 8/2022 Richards ..... D8/367  
 2003/0012924 A1 1/2003 Samelson  
 2003/0172502 A1 9/2003 Ho  
 2005/0022950 A1 2/2005 Putman

2006/0037721 A1 2/2006 Zahner  
 2006/0266483 A1 11/2006 Roberts et al.  
 2008/0164393 A1 7/2008 Hung  
 2008/0178423 A1 7/2008 Patel  
 2008/0202710 A1 8/2008 Zahner  
 2009/0032659 A1 2/2009 Goldstein  
 2009/0288783 A1 11/2009 Graneto, III  
 2009/0288784 A1 11/2009 Graneto, III  
 2009/0288785 A1 11/2009 Graneto, III  
 2010/0212845 A1 8/2010 Graneto III et al.  
 2010/0282420 A1 11/2010 Lai  
 2010/0319858 A1 12/2010 Freedland  
 2010/0325836 A1 12/2010 Lai  
 2011/0000051 A1 1/2011 Liang  
 2011/0225774 A1 9/2011 Seddon  
 2011/0297632 A1 12/2011 Goldstein  
 2012/0000616 A1 1/2012 DeWees  
 2012/0018106 A1 1/2012 Robledo  
 2013/0019395 A1 1/2013 Pierce  
 2013/0025341 A1 1/2013 Ciprich et al.  
 2013/0145543 A1 6/2013 Cattandino et al.  
 2014/0000821 A1 1/2014 DeWees et al.  
 2015/0007950 A1 1/2015 Ho  
 2015/0068688 A1 3/2015 Zahner  
 2015/0136339 A1 5/2015 Bauer et al.  
 2015/0173549 A1 6/2015 Zahner  
 2016/0367060 A1 12/2016 Zahner  
 2017/0314607 A1 11/2017 Bauer et al.  
 2018/0177321 A1 6/2018 Heidsiek  
 2018/0296018 A1 10/2018 Baines et al.  
 2020/0300288 A1 9/2020 Bauer

OTHER PUBLICATIONS

O'Brien, Jeffrey, "Notice of Allowance", U.S. Appl. No. 16/588,771, filed Sep. 30, 2019; dated Nov. 12, 2020.  
 O'Brien, Jeffrey, "Notice of Allowance", U.S. Appl. No. 16/913,815, filed Jun. 26, 2020; dated Dec. 8, 2021.  
 O'Brien, Jeffrey, "Notice of Allowance", U.S. Appl. No. 16/045,391, filed Jul. 25, 2018; dated May 28, 2020.  
 O'Brien, Jeffrey D., "Notice of Allowance", U.S. Appl. No. 17/195,464; filed Mar. 8, 2021; dated May 31, 2022.

\* cited by examiner



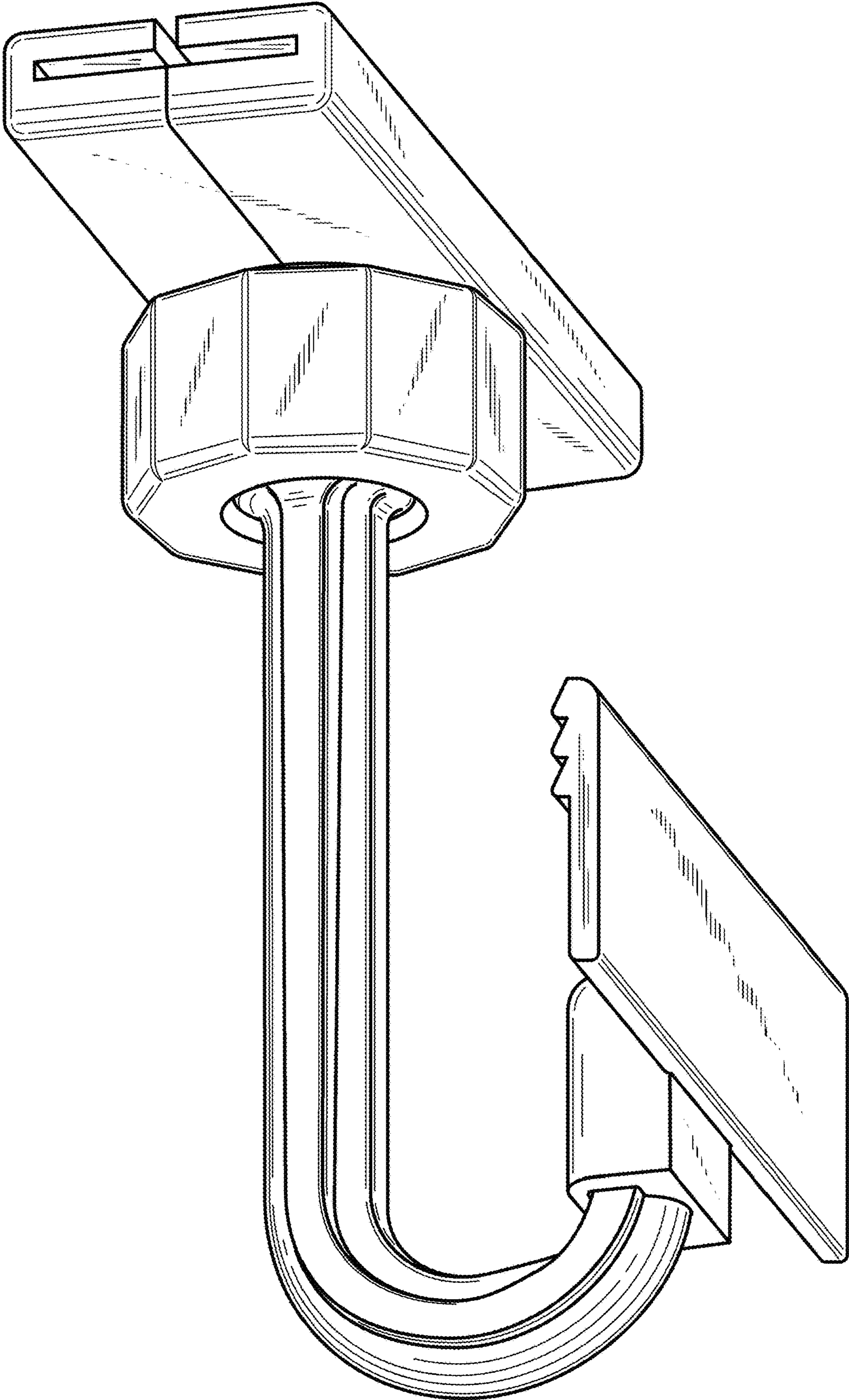


FIG. 1

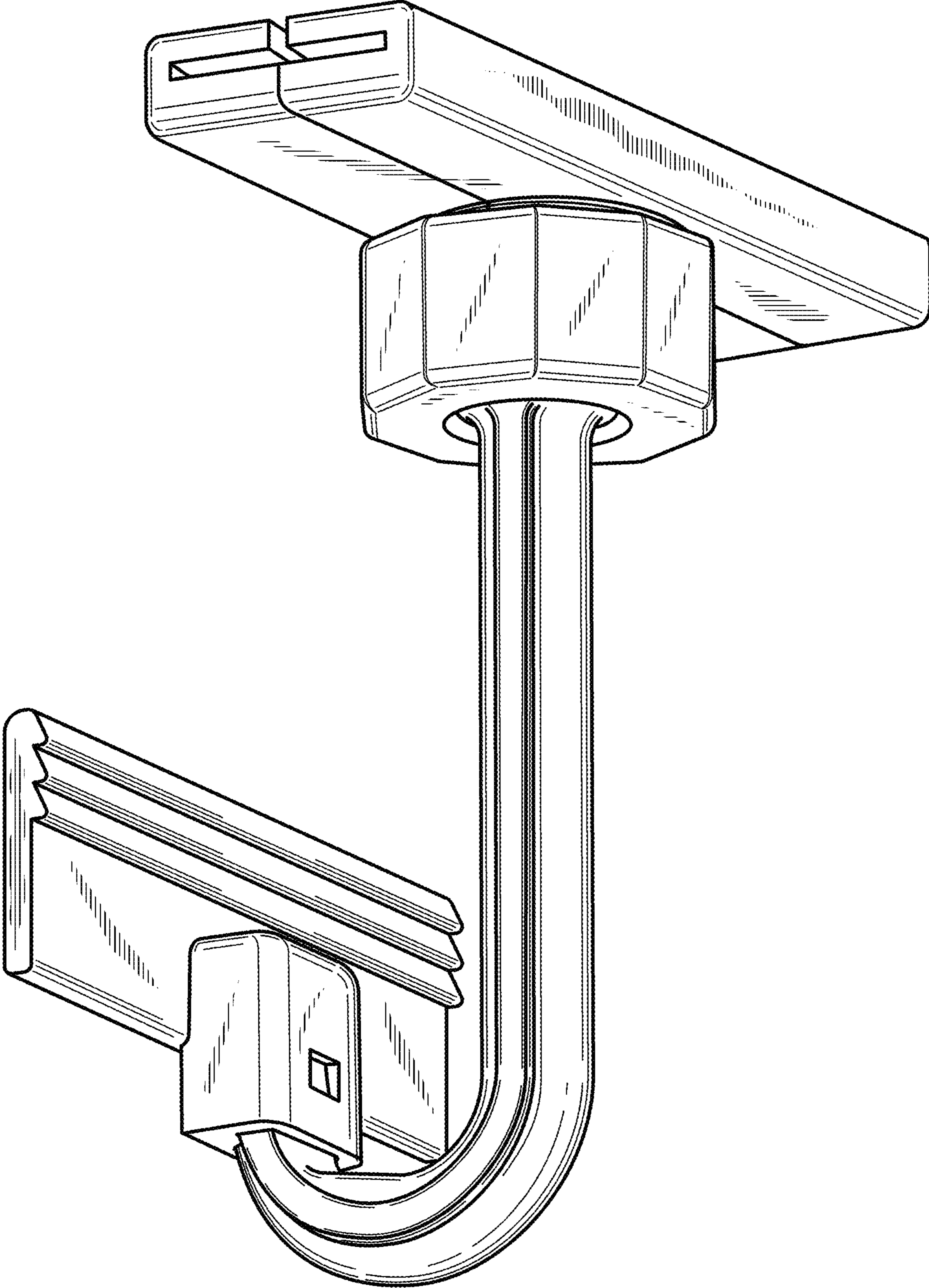


FIG. 2

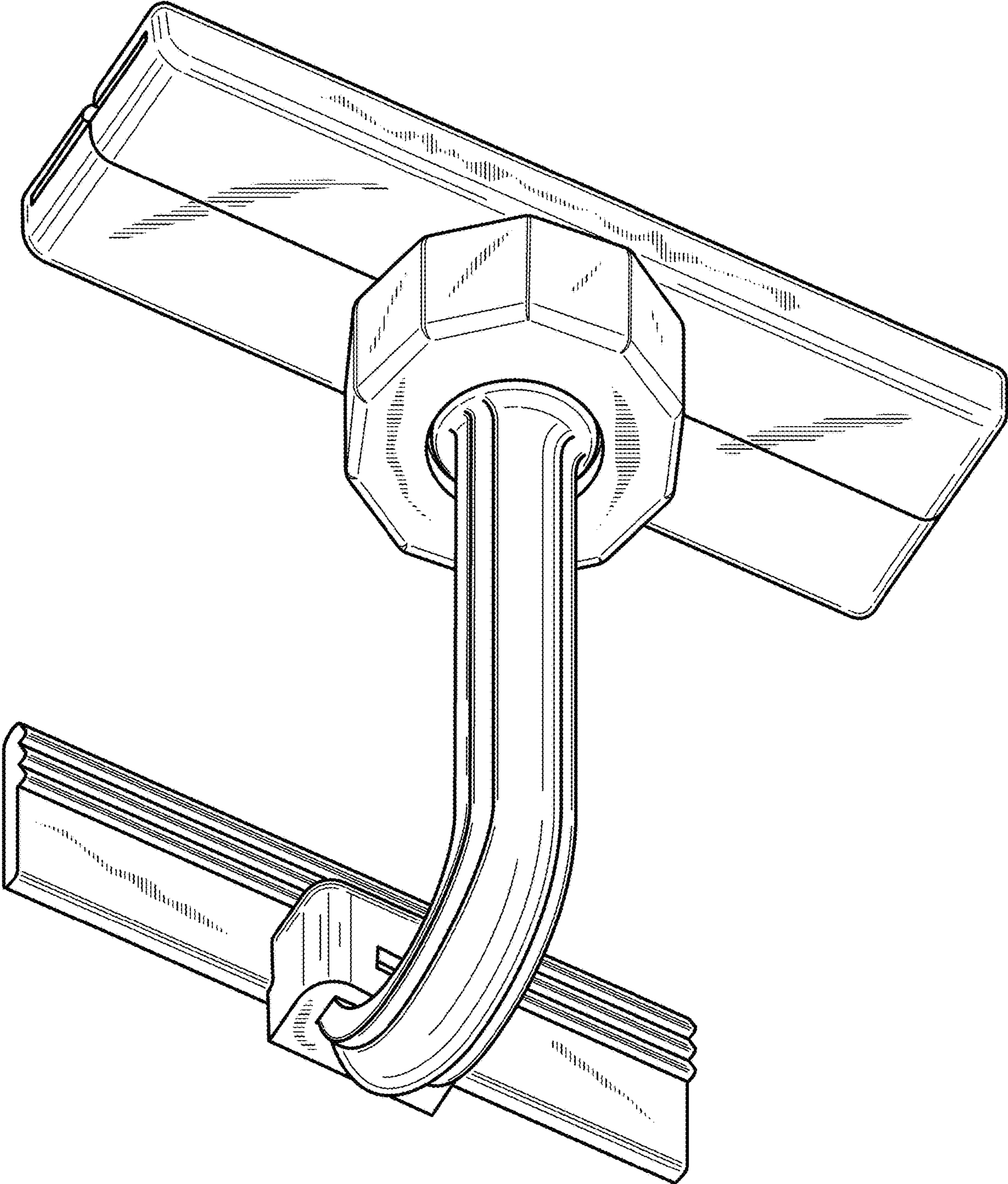


FIG. 3



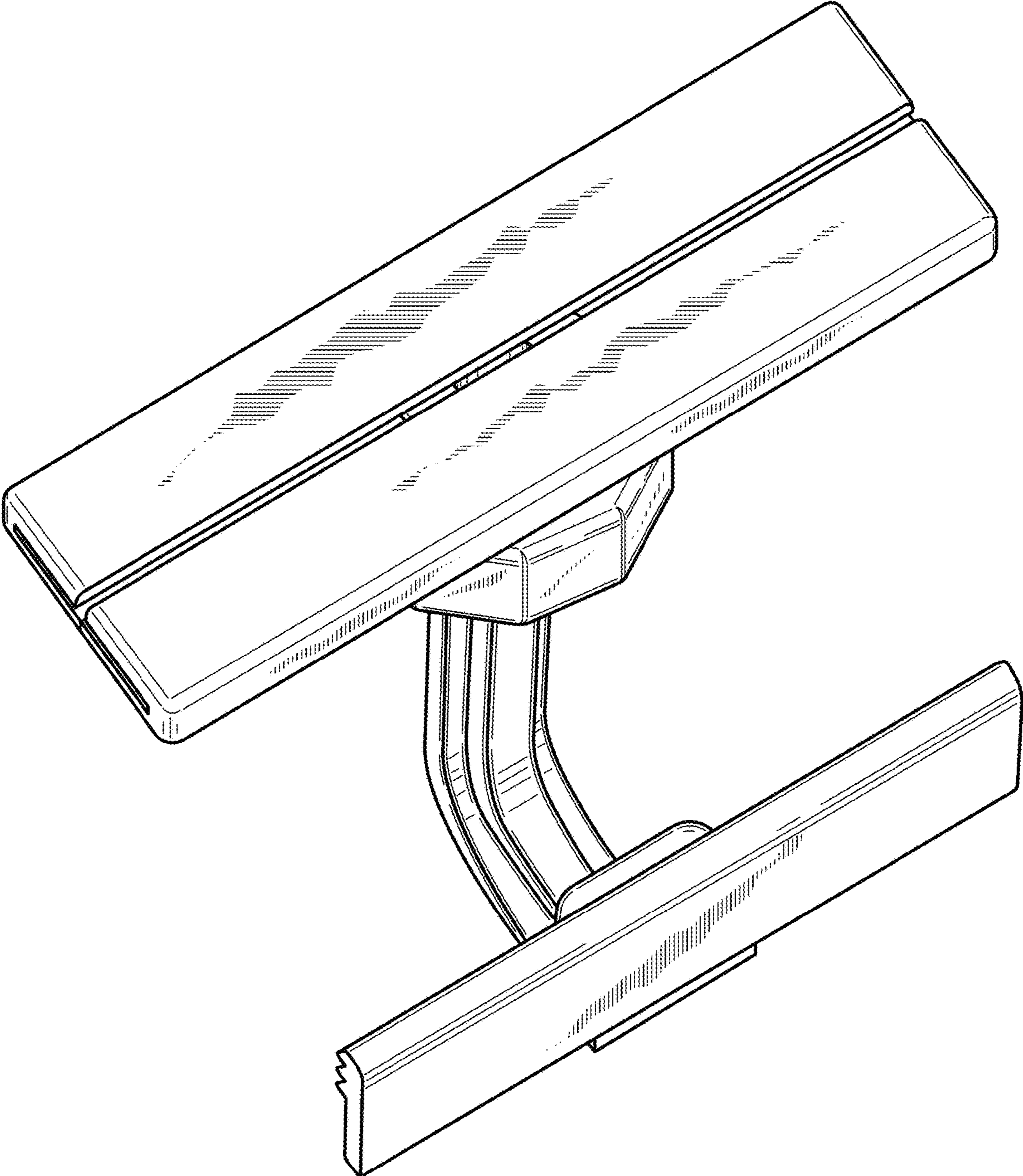


FIG. 4

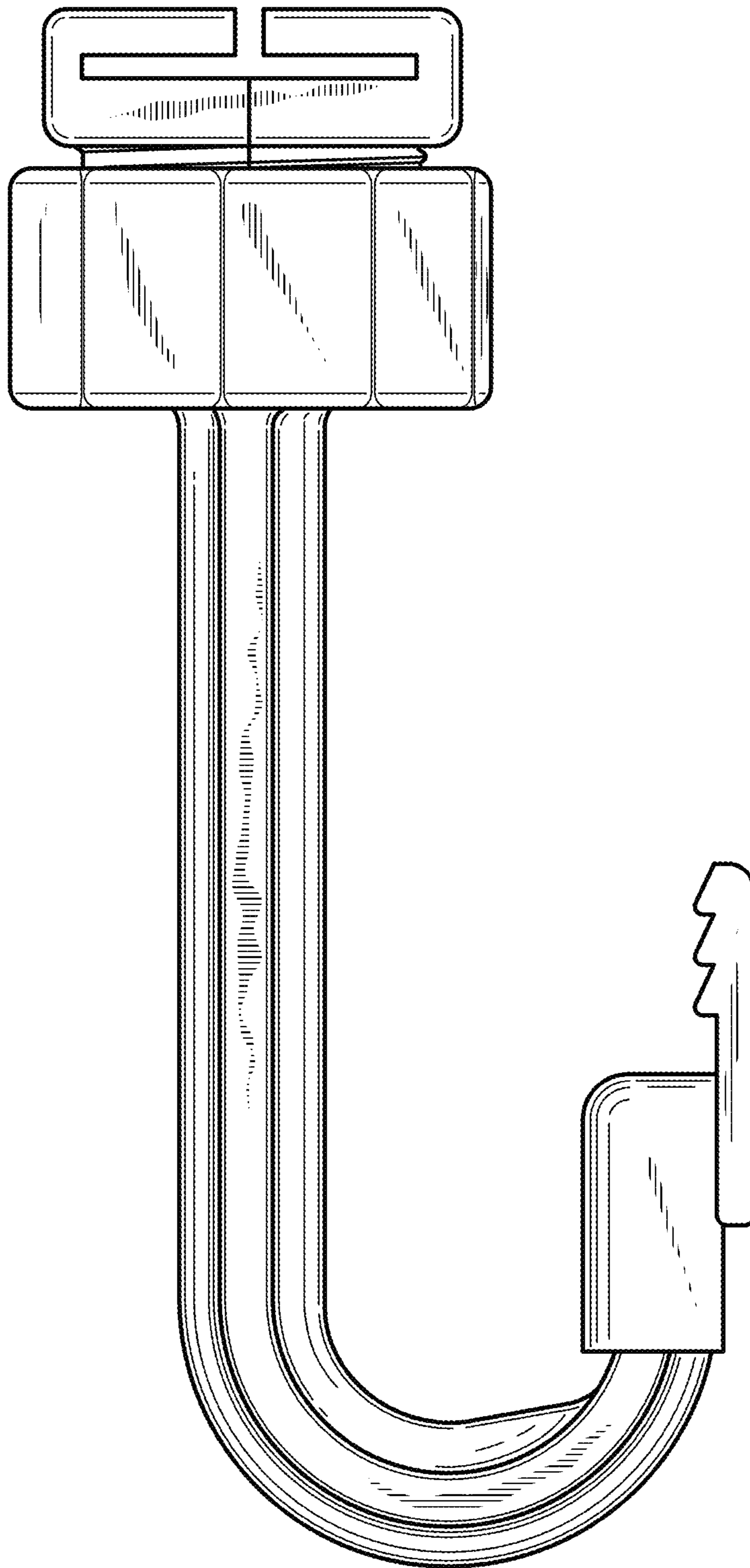


FIG. 5

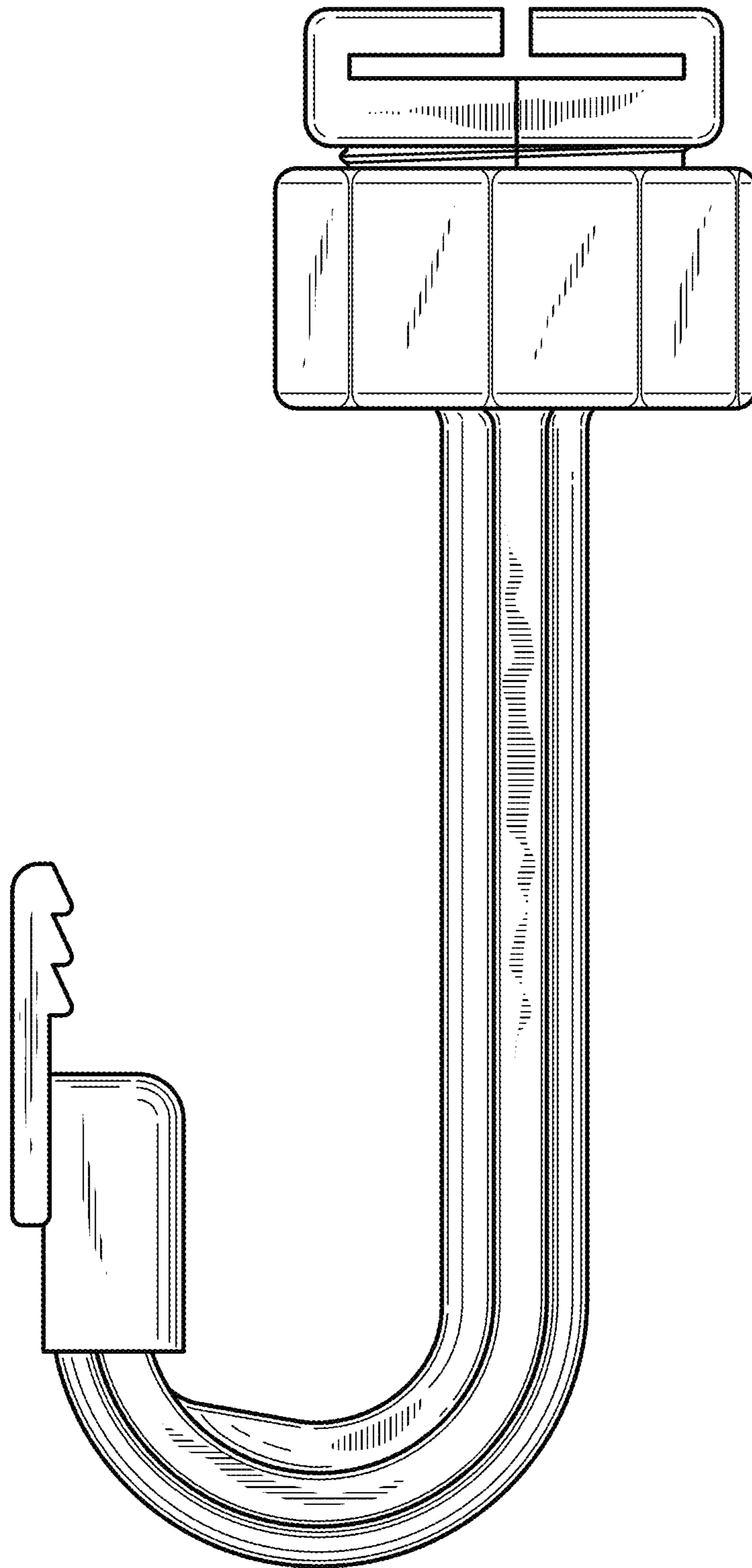


FIG. 6



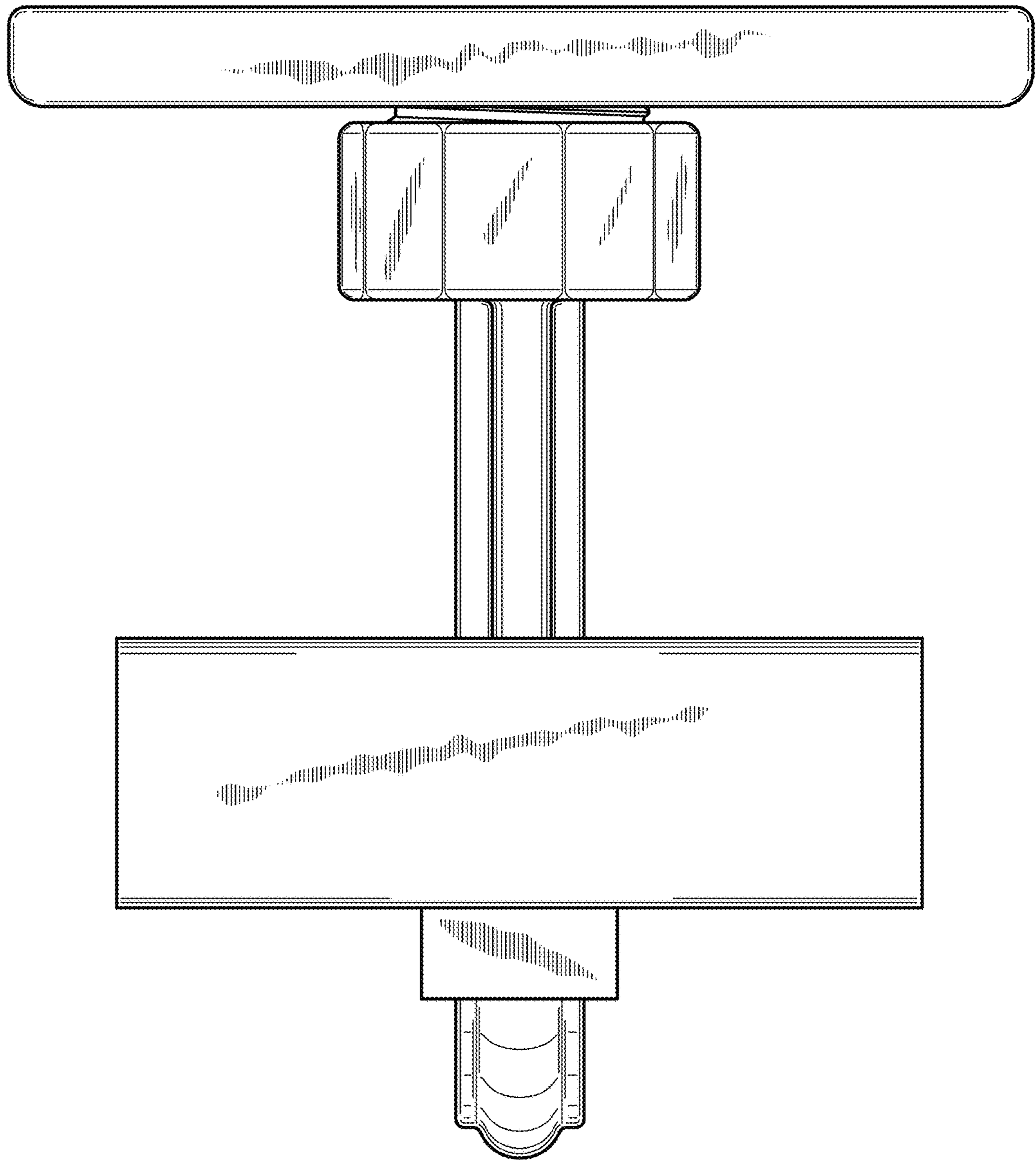


FIG. 7

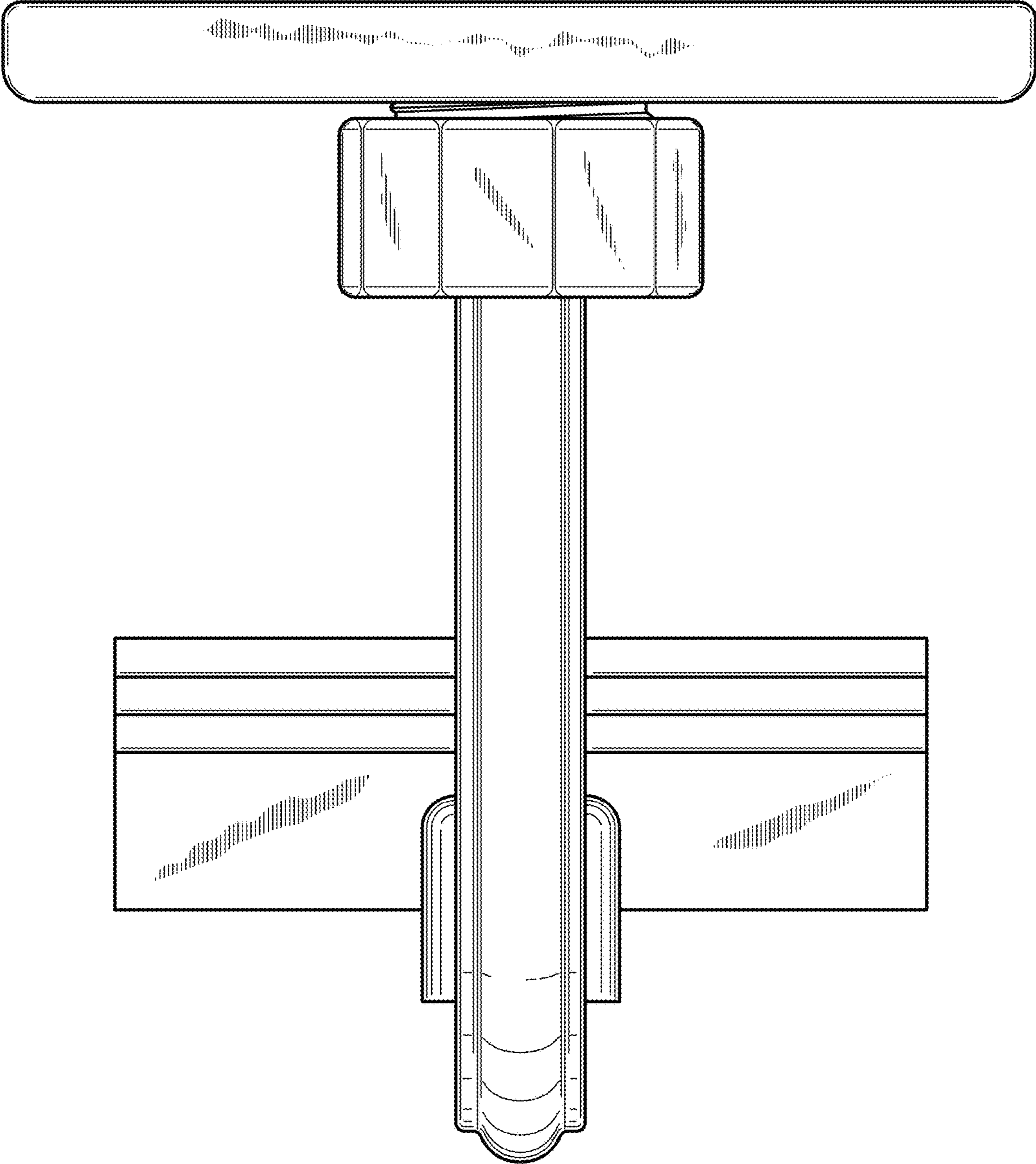


FIG. 8

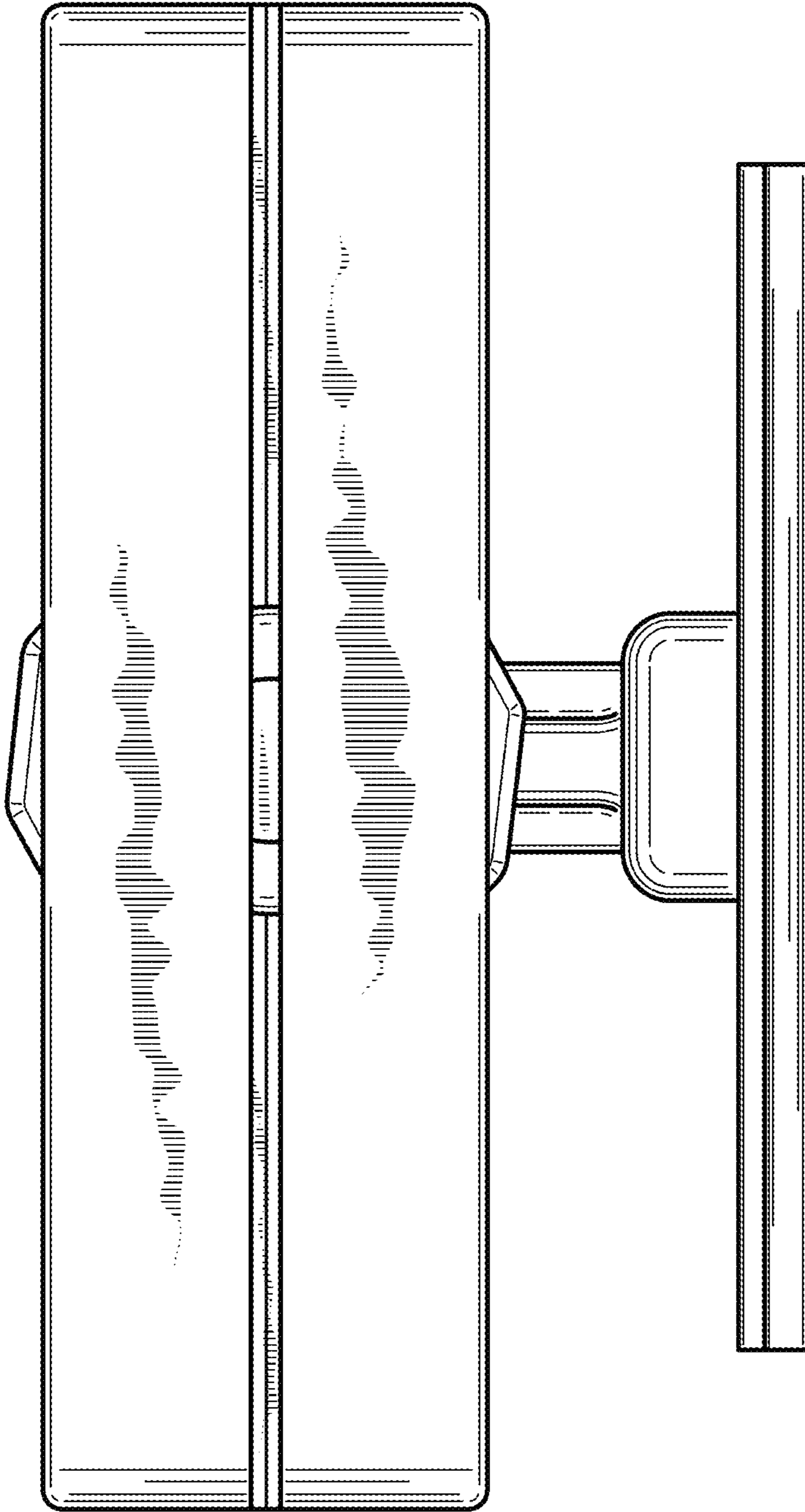


FIG. 9



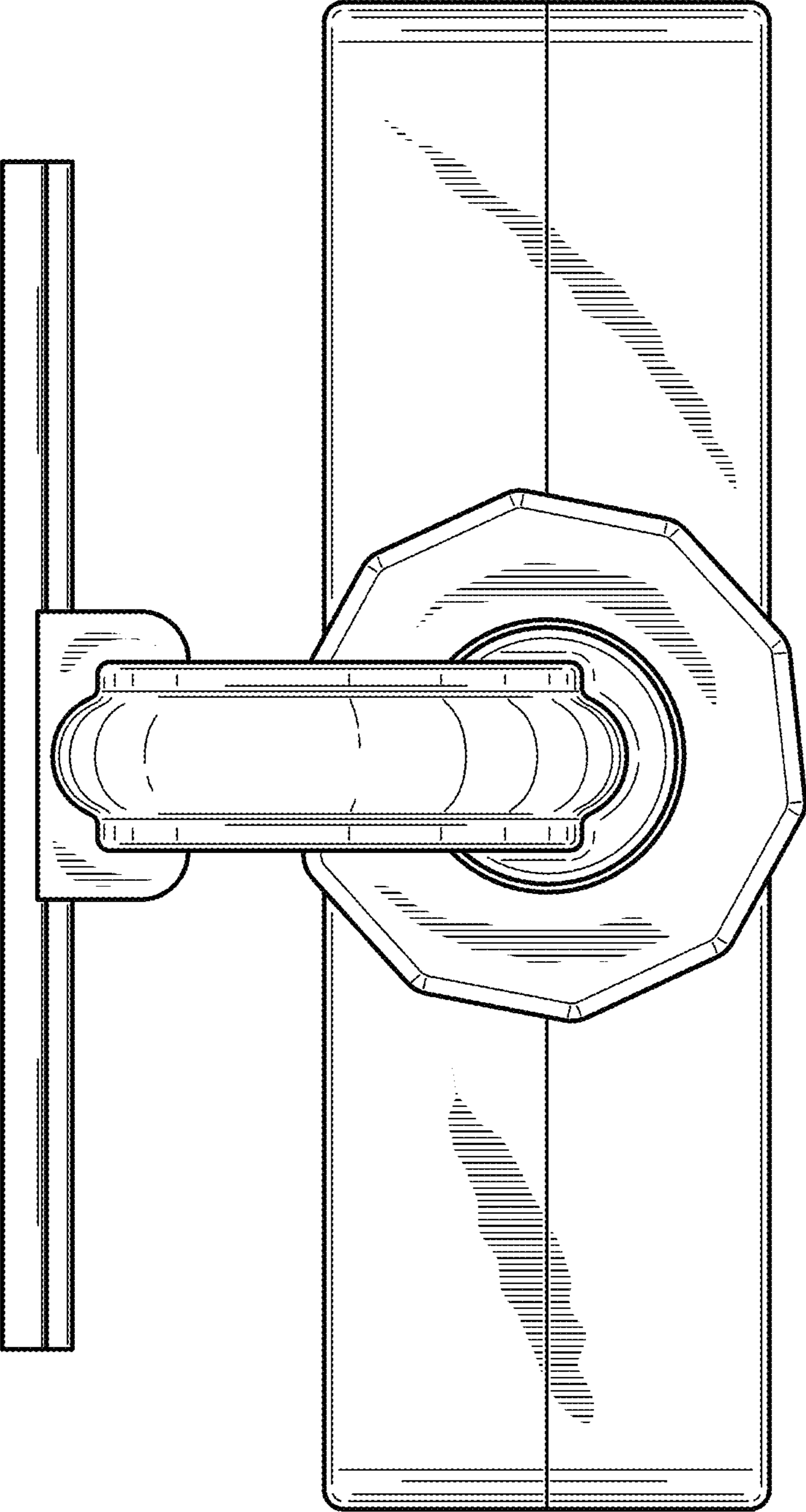


FIG. 10