



US00D980047S

(12) **United States Design Patent** (10) **Patent No.:** **US D980,047 S**
Dettmering et al. (45) **Date of Patent:** **** Mar. 7, 2023**

(54) **BRACKET**

(71) Applicant: **Rinnai America Corporation**,
Peachtree City, GA (US)

(72) Inventors: **Matthew Ryan Dettmering**, Newnan,
GA (US); **Scott Gilman Humphrey**,
Powder Springs, GA (US)

(73) Assignee: **Rinnai America Corporation**,
Peachtree City, GA (US)

(**) Term: **15 Years**

(21) Appl. No.: **29/686,899**

(22) Filed: **Apr. 9, 2019**

Related U.S. Application Data

(62) Division of application No. 29/563,070, filed on May
2, 2016, now Pat. No. Des. 849,519.

(51) **LOC (14) Cl.** **08-11**

(52) **U.S. Cl.**
USPC **D8/373**

(58) **Field of Classification Search**
USPC D8/373, 353, 355, 356, 380, 381, 382,
D8/384, 349, 371; D14/238, 452;
D25/119, 120, 121

(Continued)

(56) **References Cited**

U.S. PATENT DOCUMENTS

D293,416 S * 12/1987 Krueger E04B 7/022
52/696

D357,405 S * 4/1995 Philippi D6/567
(Continued)

OTHER PUBLICATIONS

New Water Heater Hanging Bracket, posted Oct. 9, 2015 [online],
retrieved Sep. 29, 2022. Retrieved from internet, <https://waterheaters.com/water-heater-hanging-bracket-for-rinnai-tankless-water-heaters/> (Year: 2015).*

(Continued)

Primary Examiner — David G Muller

Assistant Examiner — Christina Gabrielle Cosden

(74) *Attorney, Agent, or Firm* — Meunier Carlin &
Curfman LLC

(57) **CLAIM**

The ornamental design for a bracket, as shown and
described.

DESCRIPTION

FIG. 1 is a perspective view of a bracket.

FIG. 2 is a perspective view of the bracket of FIG. 1 shown
adjacent to a tankless water heater assembly.

FIG. 3 is a perspective view of the bracket of FIG. 1 shown
in context with a tankless water heater assembly.

FIG. 4 is a front view of the bracket of FIG. 1.

FIG. 5 is a rear view of the bracket of FIG. 1.

FIG. 6 is a top view of the bracket of FIG. 1.

FIG. 7 is a right side view of the bracket of FIG. 1, it being
understood that the left side is a mirror image of the right
side view.

FIG. 8 is a bottom view of the bracket of FIG. 1.

FIG. 9 is an enlarged perspective view of the bracket of FIG.
1.

FIG. 10 is an enlarged partial perspective view of the bracket
of FIG. 9.

FIG. 11 is a front view of the bracket of FIG. 1.

FIG. 12 is a rear view of the bracket of FIG. 1.

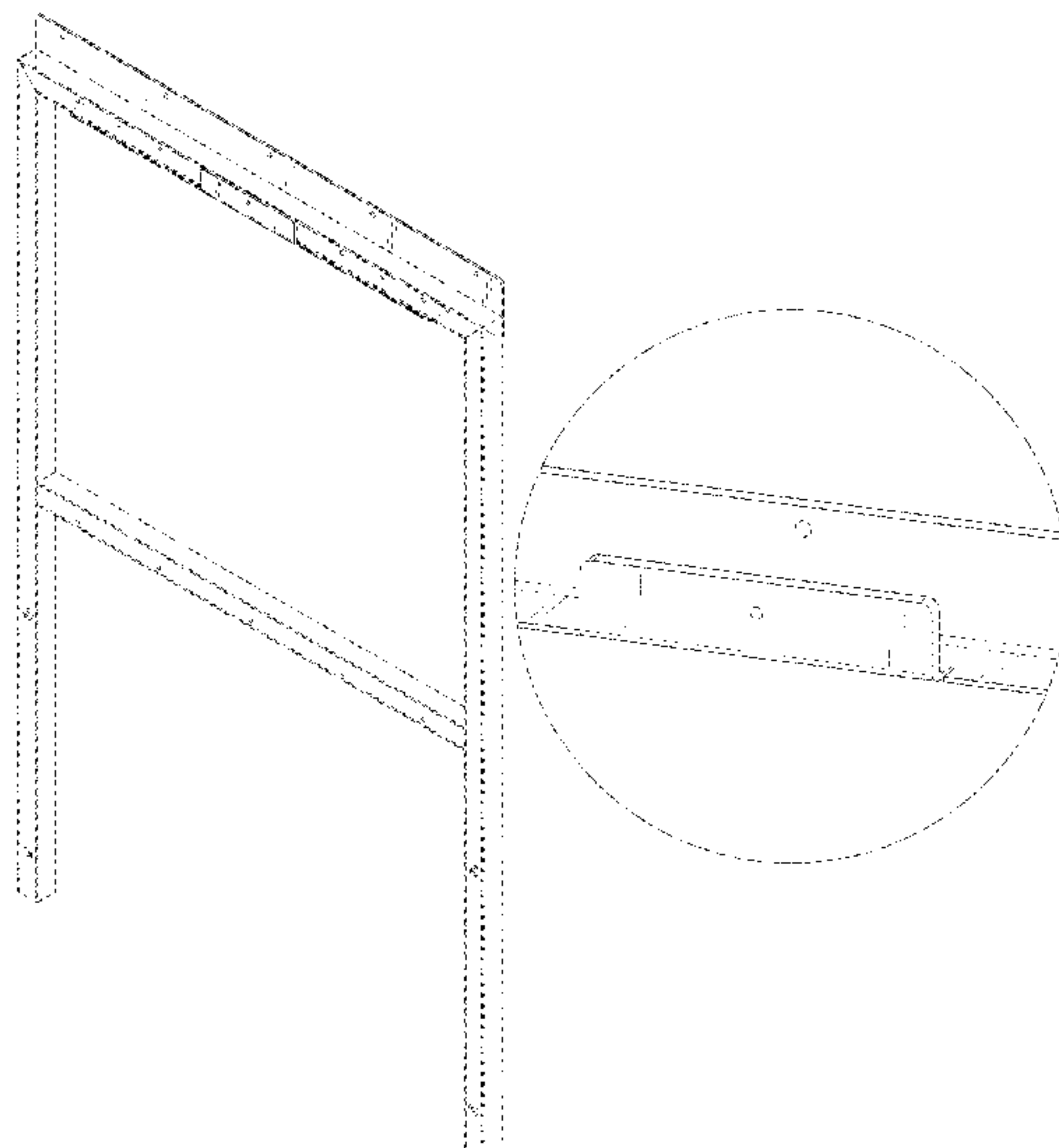
FIG. 13 is a right side view of the bracket of FIG. 1, it being
understood that the left side is a mirror image of the right
side view.

FIG. 14 is a top view of the bracket of FIG. 1; and,

FIG. 15 is a bottom view of the bracket of FIG. 1.

The dash dot dash broken lines shown in FIGS. 9-10 are for
the purpose of illustrating enlarged views and the dashed
broken lines shown in FIGS. 1-8, 11 & 12 are for purposes
of illustrating an environment and portions of the bracket
that form no part of the claimed design. The broken lines
form no part of the claimed design.

1 Claim, 11 Drawing Sheets



(58) **Field of Classification Search**

CPC A47H 1/14; A47H 1/142; A47H 1/122;
 A47H 1/144; A47H 1/18; F24F 13/32;
 A47G 1/41; A47G 29/00; F16M 11/26;
 G06F 3/1446

See application file for complete search history.

(56) **References Cited**

U.S. PATENT DOCUMENTS

D387,973	S	‡	12/1997	Layman	D8/377
D423,328	S	*	4/2000	Burrows	D8/354
6,336,247	B1	‡	1/2002	Schnoor	E05D 15/0634
						16/105
6,418,621	B1	*	7/2002	Namovich	F24F 1/027
						29/897.3
7,140,306	B2	‡	11/2006	Chen	A47B 17/02
						108/138
D545,182	S	‡	6/2007	Heitel	D8/377
D645,632	S	‡	9/2011	Henry	D34/29
D663,961	S	‡	7/2012	Burns	D6/328
D682,661	S	*	5/2013	Fitzpatrick	F16M 13/02
						D8/373
D732,863	S	‡	6/2015	Troyner	D6/705.5
D736,062	S	*	8/2015	Ertel	D8/354
D754,521	S	‡	4/2016	Konomoto	D8/349
D766,465	S	‡	9/2016	Honda	D25/119
D767,381	S	‡	9/2016	Libreiro	D25/119
D768,408	S	‡	10/2016	Blaine, III	D6/570
D769,025	S	‡	10/2016	Eberling	D6/569
D823,093	S	*	7/2018	Kanter	D8/354

D826,029	S	*	8/2018	Granberg	D8/349
D849,519	S	*	5/2019	Dettmering	D8/373
D908,471	S	*	1/2021	Cronkhite	D8/354
D956,532	S	*	7/2022	Kapraun	D8/371
D959,959	S	*	8/2022	Houston	B65D 85/68
						D8/354
2009/0223423	A1	‡	9/2009	Meyers	A47B 1/05
						108/65
2011/0155021	A1	‡	6/2011	Geitner	A47B 3/08
						108/25
2013/0153744	A1	*	6/2013	Jin	F24F 13/32
						248/670
2014/0157699	A1	‡	6/2014	Moeller	E04B 2/88
						52/235
2014/0175033	A1	‡	6/2014	Chen	H05K 7/183
						211/49.1
2016/0258170	A1	‡	9/2016	Cymbala	E04G 17/02
2016/0258177	A1	‡	9/2016	Faries	E04H 12/24
2016/0368428	A1	‡	12/2016	Stiff	B60N 3/08
2017/0025987	A1	‡	1/2017	Stearns	H02S 20/23
2018/0058720	A1	*	3/2018	Ando	F24H 9/06
2021/0239361	A1	*	8/2021	Houston	F24H 9/06

OTHER PUBLICATIONS

National Barn Door Guide Rail, posted Sep. 29, 2022 [online],
 retrieved Sep. 29, 2022. Retrieved from internet, <https://www.walmart.com/ip/National-Barn-Door-Guide-Rail/39744745> (Year: 2022).*

* cited by examiner

‡ imported from a related application

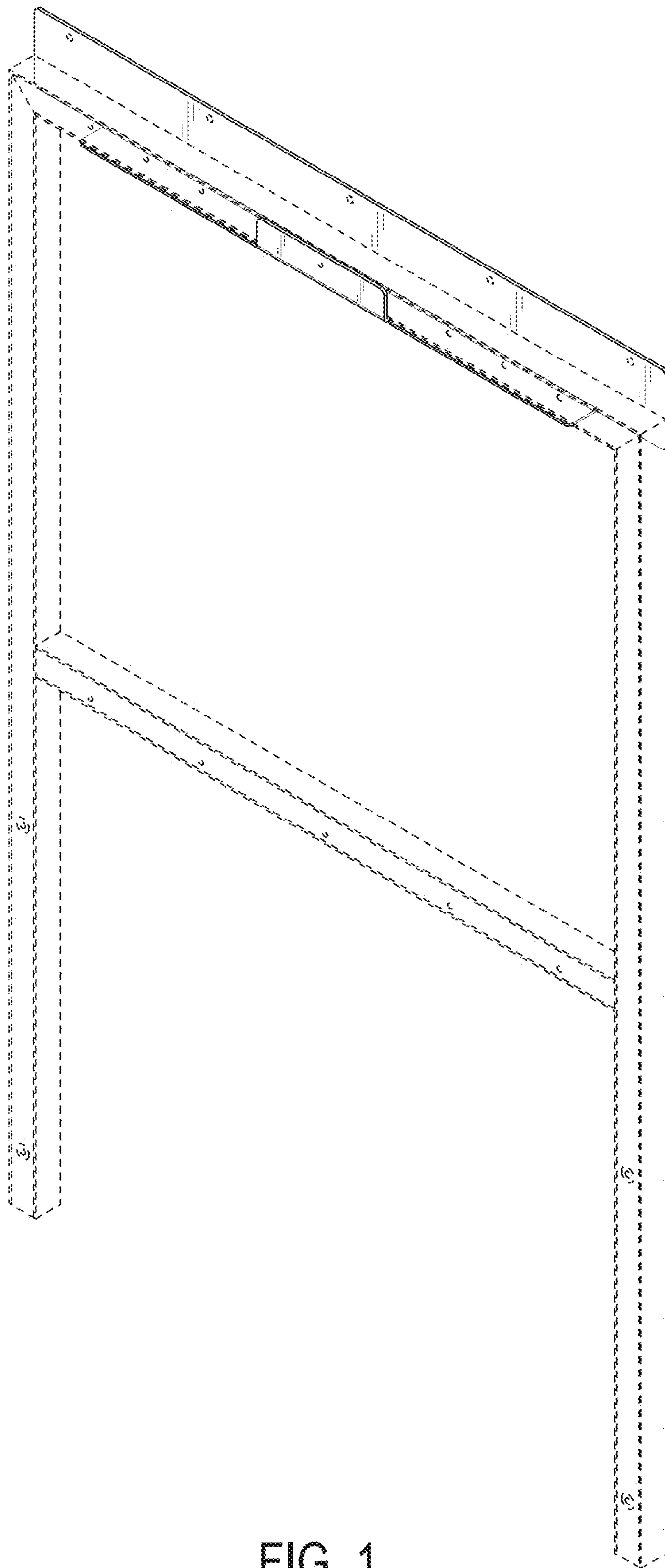


FIG. 1

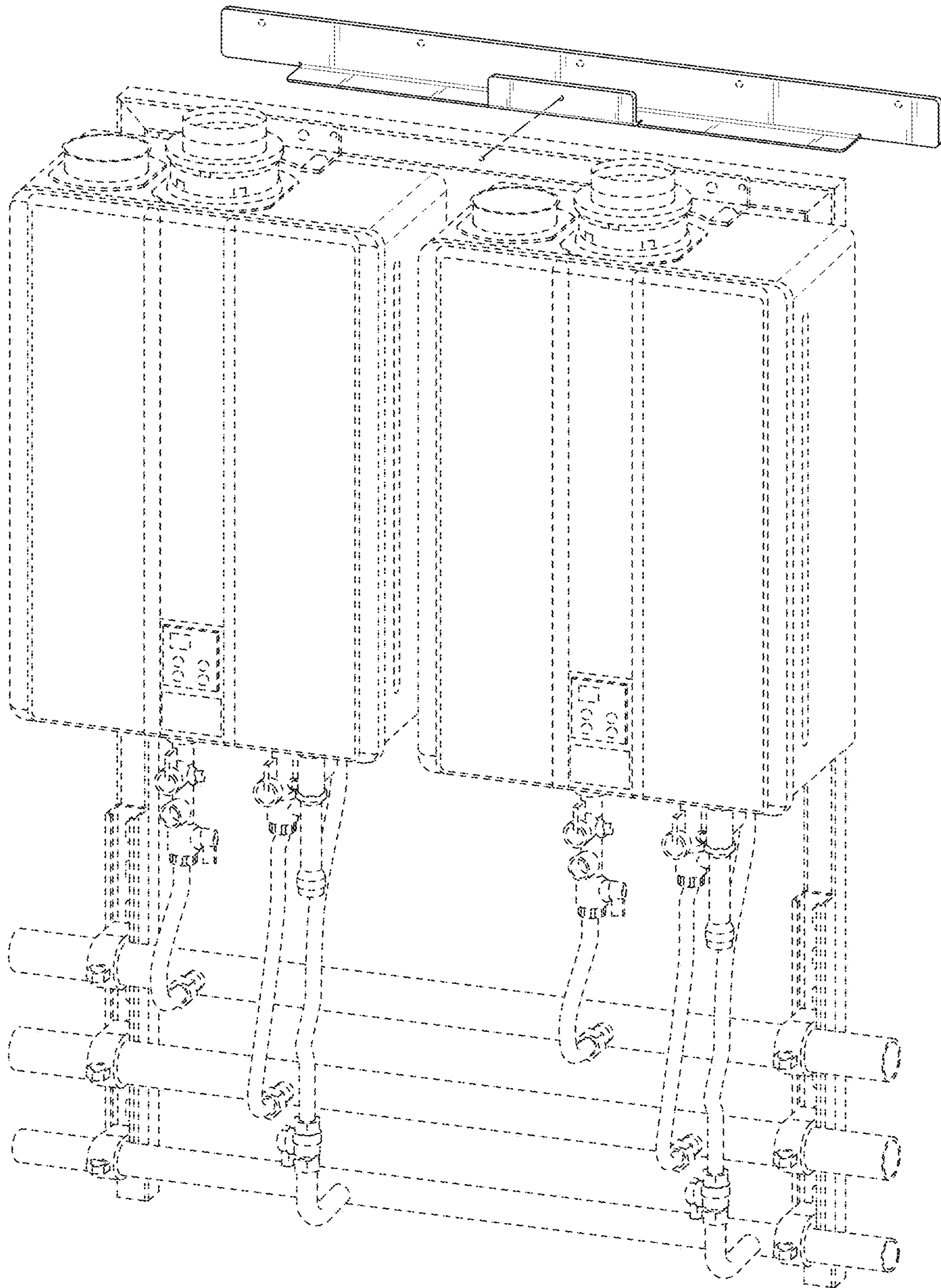


FIG. 2

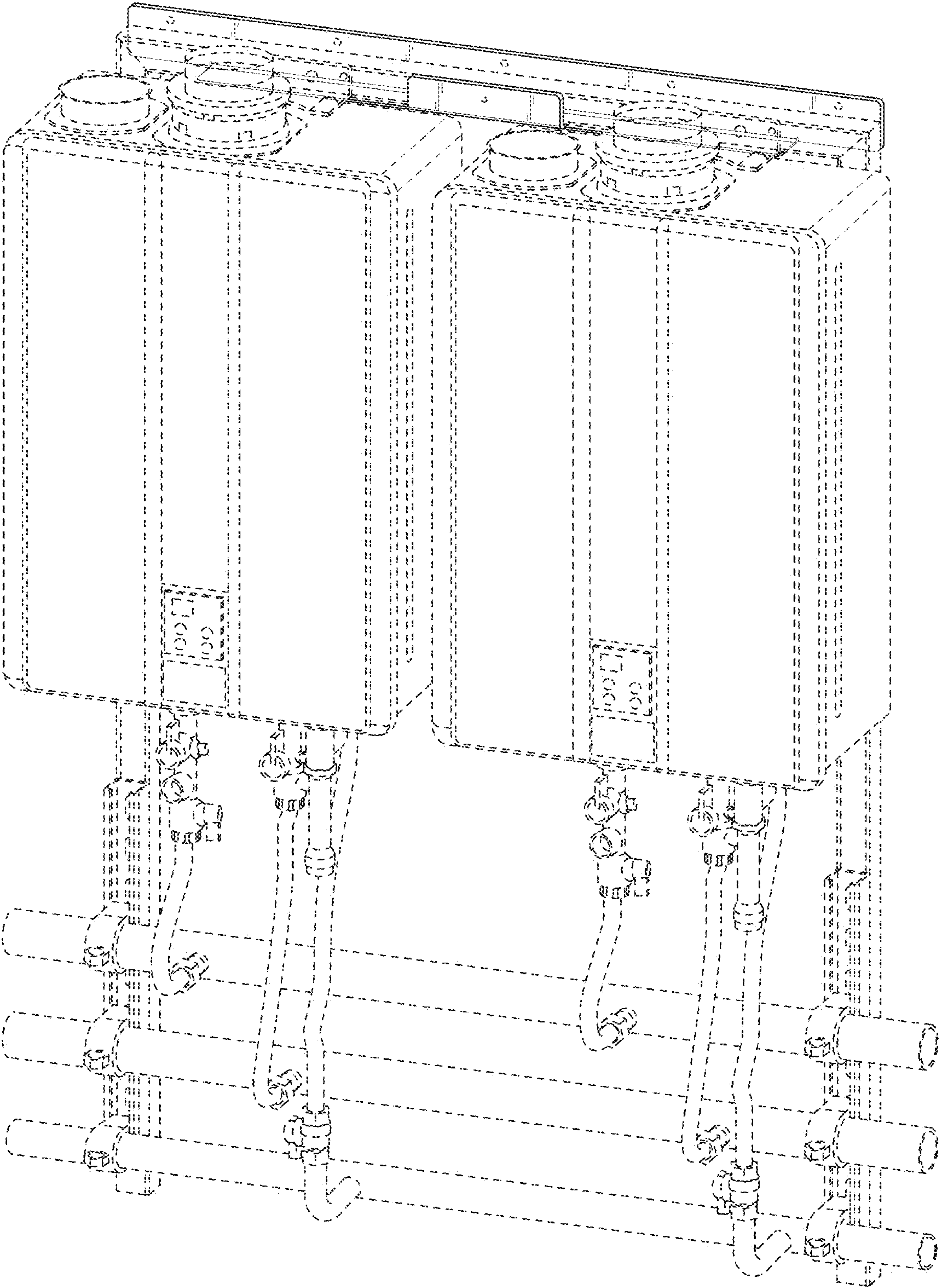


FIG. 3

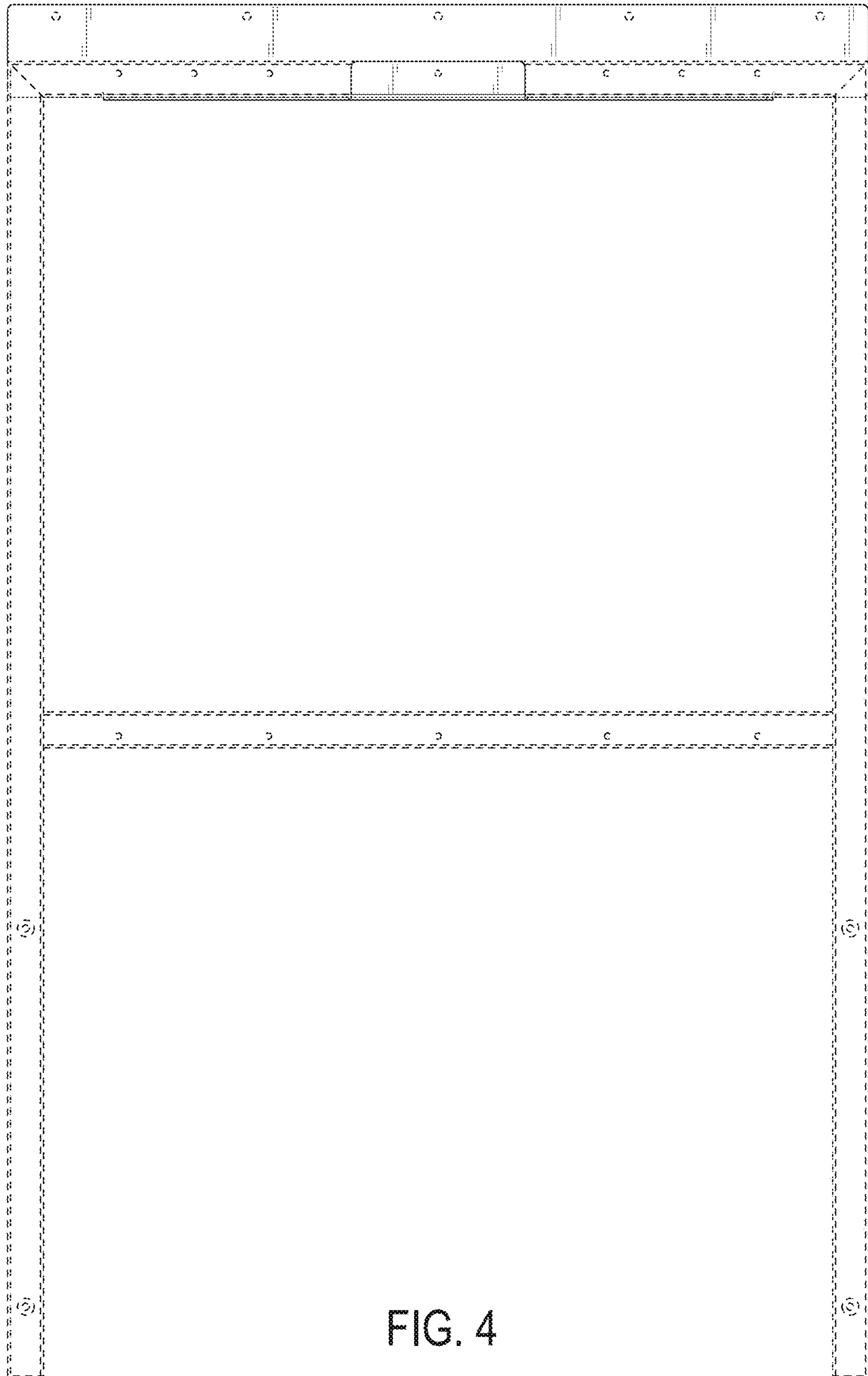


FIG. 4

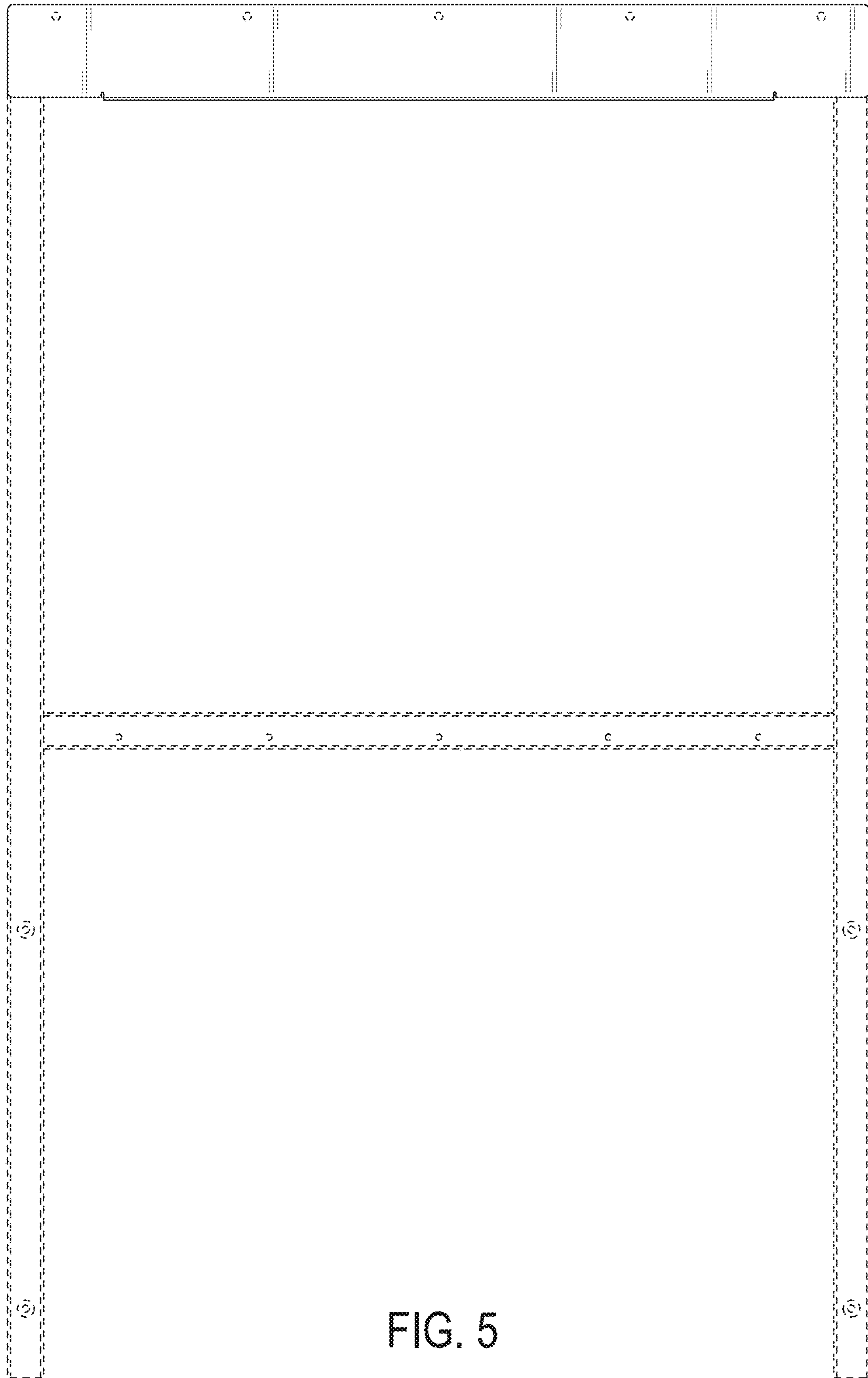


FIG. 5



FIG. 6

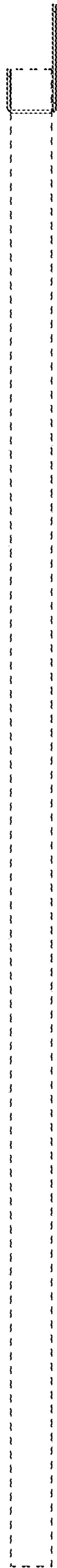


FIG. 7



FIG. 8

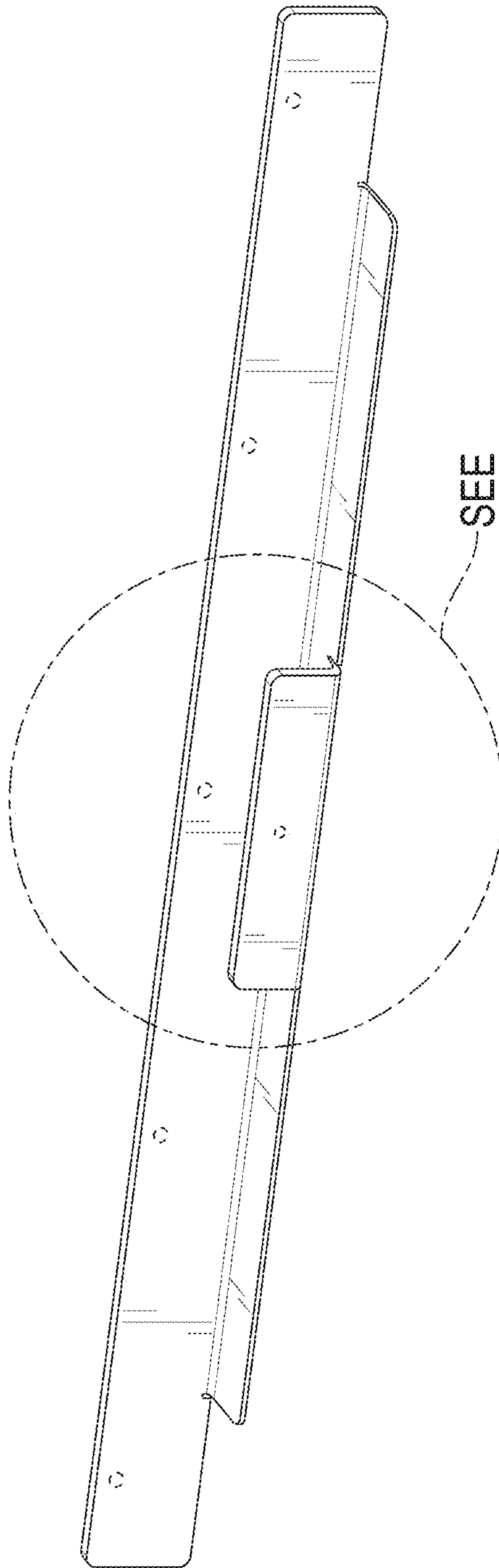


FIG. 9

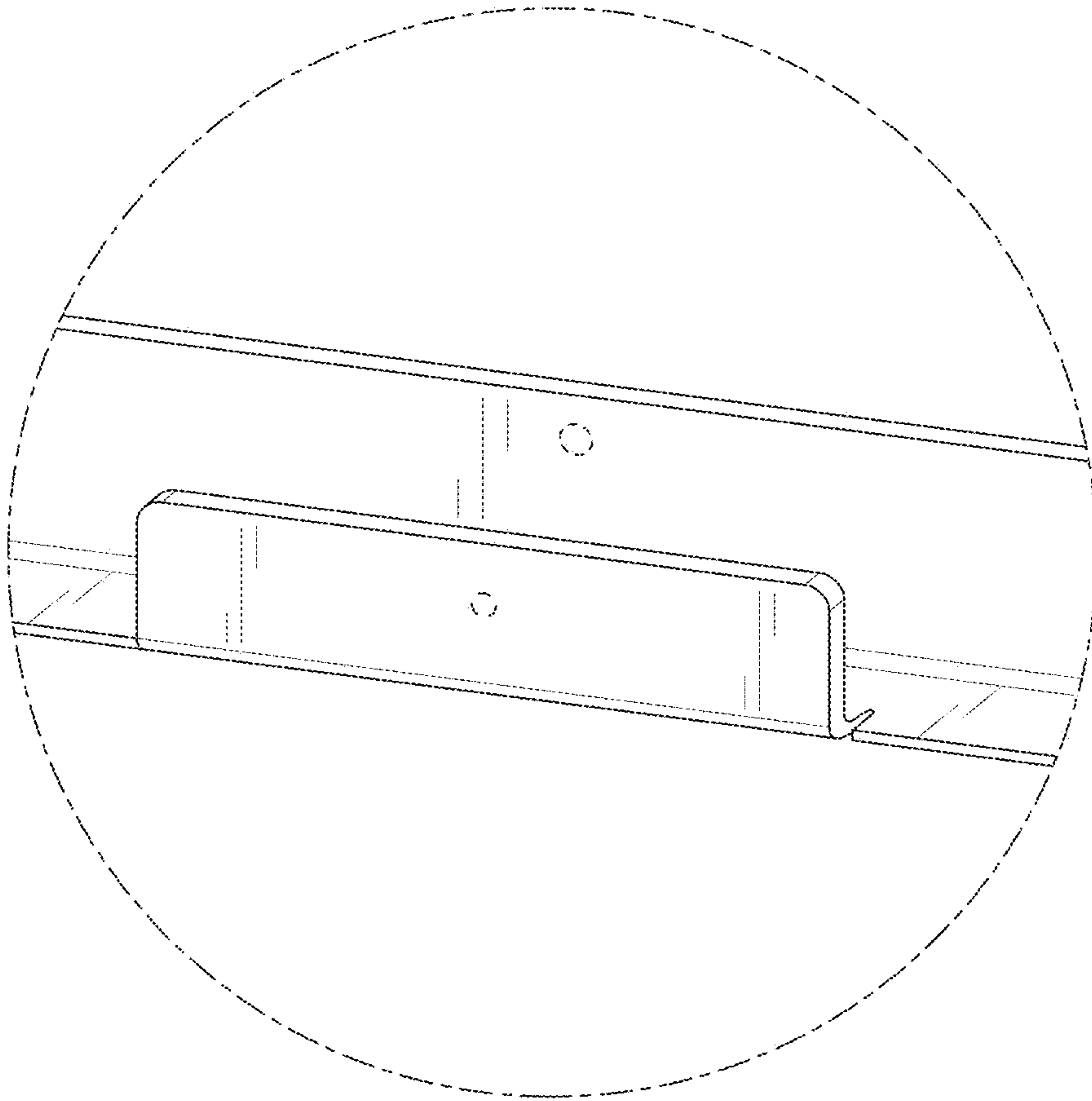


FIG. 10

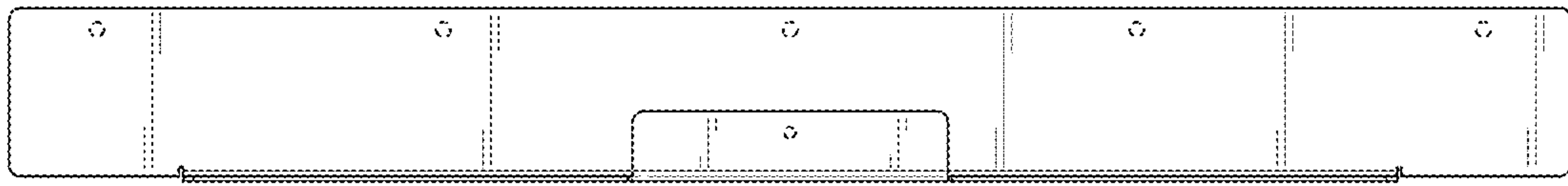


FIG. 11

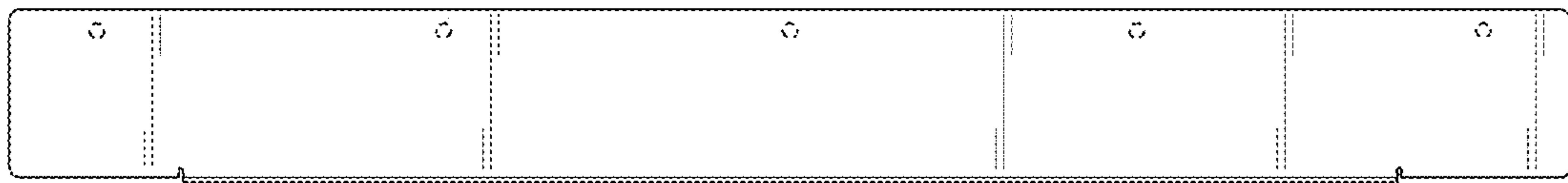


FIG. 12

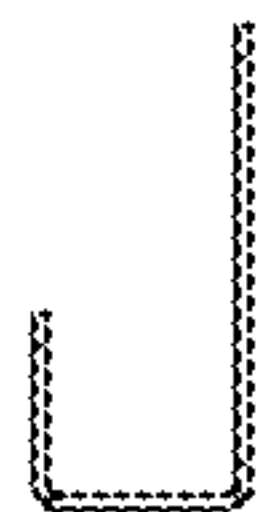


FIG. 13

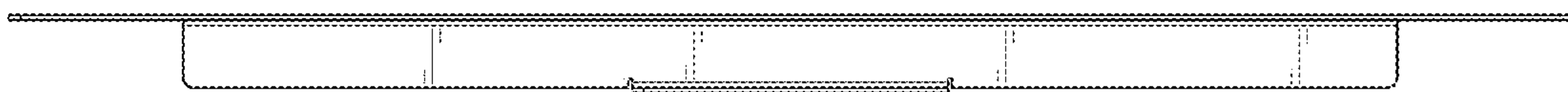


FIG. 14



FIG. 15