



US00D980046S

(12) **United States Design Patent**  
**Chen**

(10) **Patent No.:** **US D980,046 S**  
(45) **Date of Patent:** **\*\* Mar. 7, 2023**

- (54) **MAGNET HOOK**
- (71) Applicant: **Ningbo Zhenhai Keyda Magnet Co., Ltd.**, Ningbo (CN)
- (72) Inventor: **Mingmin Chen**, Ningbo (CN)
- (73) Assignee: **Ningbo Zhenhai Keyda Magnet Co., Ltd.**, Ningbo (CN)
- (\*\*) Term: **15 Years**
- (21) Appl. No.: **29/866,033**
- (22) Filed: **Aug. 25, 2022**
- (51) **LOC (14) Cl.** ..... **08-11**
- (52) **U.S. Cl.**  
USPC ..... **D8/367**
- (58) **Field of Classification Search**  
USPC ..... D8/367, 354, 349, 373, 356, 372;  
D6/323; 248/301-304, 339, 205.5  
CPC .. A47G 1/00; A47G 25/00; A47G 1/17; F16B  
47/003  
See application file for complete search history.

- D449,977 S \* 11/2001 Dembowiak ..... D8/367
- D472,795 S \* 4/2003 Saxby ..... D8/367
- D482,952 S \* 12/2003 Steinman ..... D8/367
- 6,749,165 B2 \* 6/2004 Immerman ..... A47G 1/17  
248/205.5
- 6,814,335 B2 \* 11/2004 Immerman ..... A47G 25/0614  
248/205.5
- D505,315 S \* 5/2005 Snell ..... D8/367
- D531,487 S \* 11/2006 Dretzka ..... D8/367

(Continued)

*Primary Examiner* — Cynthia R Underwood  
(74) *Attorney, Agent, or Firm* — True Shepherd LLC;  
Andrew C. Cheng

(57) **CLAIM**

The ornamental design for magnet hook, as shown and described.

**DESCRIPTION**

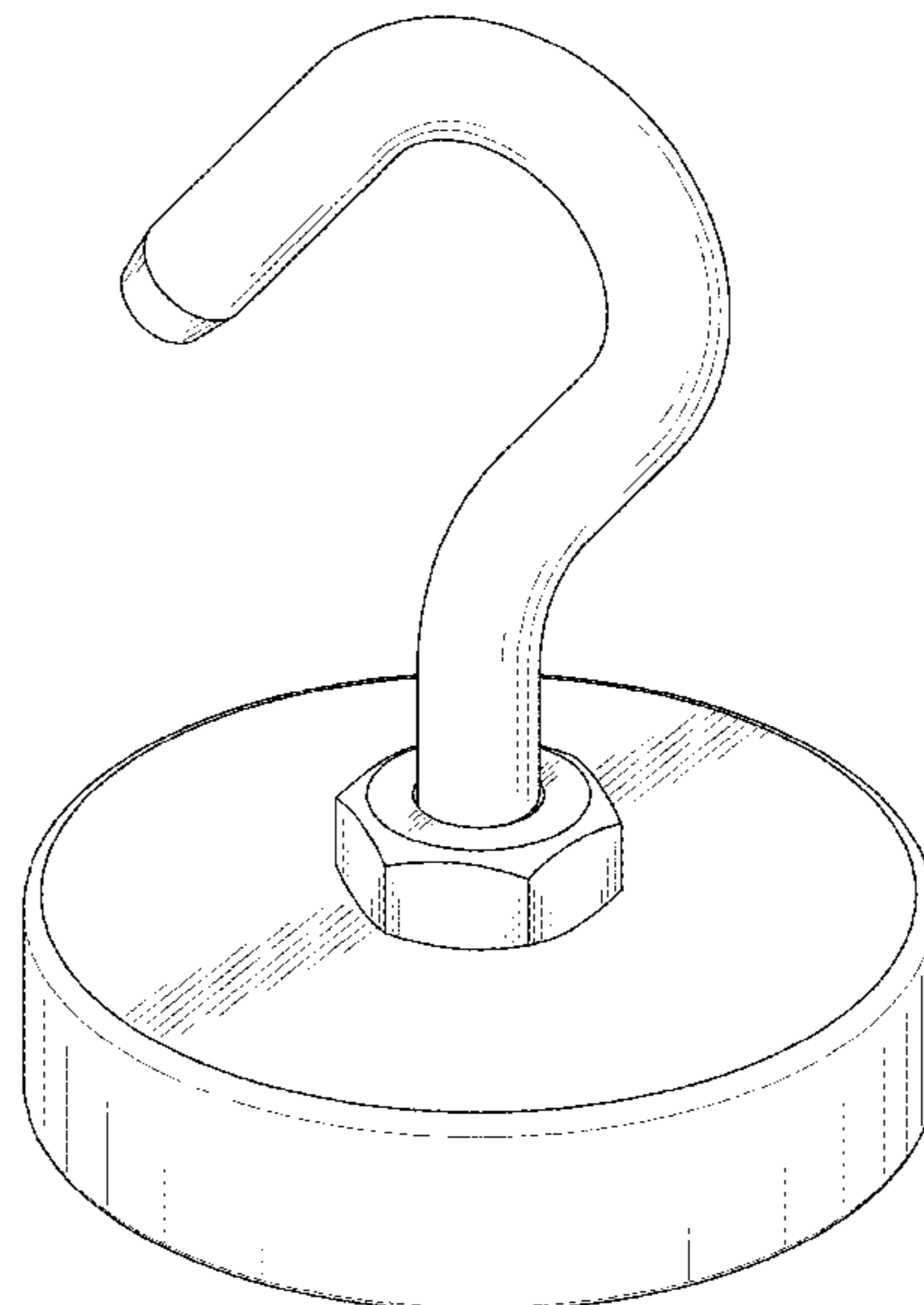
FIG. 1 is a perspective view of a magnet hook showing my new design according to a first embodiment;  
FIG. 2 is another perspective view thereof;  
FIG. 3 is a front view thereof;  
FIG. 4 is a rear view thereof;  
FIG. 5 is a left side view thereof;  
FIG. 6 is a right side view thereof;  
FIG. 7 is a bottom plan view thereof;  
FIG. 8 is a top plan view thereof;  
FIG. 9 is a perspective view of a magnet hook showing my new design according to a second embodiment;  
FIG. 10 is another perspective view thereof;  
FIG. 11 is a front view thereof;  
FIG. 12 is a rear view thereof;  
FIG. 13 is a left side view thereof;  
FIG. 14 is a right side view thereof;  
FIG. 15 is a bottom plan view thereof; and,  
FIG. 16 is a top plan view thereof.  
The broken lines depict portions of the magnet hook and form no part of the claimed design.

(56) **References Cited**

U.S. PATENT DOCUMENTS

- 2,679,998 A \* 6/1954 Keller ..... F16B 47/003  
D8/367
- 3,283,383 A \* 11/1966 Heath ..... A01F 25/13  
D8/367
- D259,700 S \* 6/1981 Chasen ..... D8/367
- D317,860 S \* 7/1991 Gary ..... D8/367
- D328,563 S \* 8/1992 Lin ..... D8/367
- D346,950 S \* 5/1994 Dunn ..... D8/367
- D354,429 S \* 1/1995 McNaughton ..... D8/367
- D359,441 S \* 6/1995 Miller ..... D8/367
- 5,730,413 A \* 3/1998 Chen ..... A47G 25/0635  
248/303
- 5,967,476 A \* 10/1999 Chen ..... A47G 1/20  
248/304
- D446,110 S \* 8/2001 McDuff ..... D8/367

**1 Claim, 16 Drawing Sheets**



(56)

References Cited

U.S. PATENT DOCUMENTS

D600,536 S \* 9/2009 Hager ..... D8/367  
 D608,186 S \* 1/2010 Nicoll ..... D8/367  
 D642,897 S \* 8/2011 Berkowitz ..... D8/367  
 D650,657 S \* 12/2011 Kaye ..... D8/367  
 D659,519 S \* 5/2012 Berkowitz ..... D8/367  
 D667,720 S \* 9/2012 Berkowitz ..... D8/367  
 D669,763 S \* 10/2012 Abels ..... D8/356  
 8,739,453 B1 \* 6/2014 Conner ..... B60R 7/14  
 42/99  
 D729,254 S \* 5/2015 Sullivan ..... D14/440  
 D737,125 S \* 8/2015 Callif ..... D8/372  
 9,144,349 B2 \* 9/2015 Groll ..... A47J 45/02  
 D746,664 S \* 1/2016 Najieb ..... D8/367  
 D765,498 S 9/2016 Dankert  
 D787,303 S \* 5/2017 Garvin ..... D8/367  
 D817,154 S \* 5/2018 Landrum ..... D8/356

D840,792 S \* 2/2019 Sugawara ..... D8/367  
 D864,697 S \* 10/2019 Gnocchini ..... D8/367  
 D864,699 S \* 10/2019 Blaney ..... D8/367  
 D880,990 S \* 4/2020 Liu ..... D8/367  
 D917,266 S 4/2021 Winnie  
 D918,023 S \* 5/2021 Underwood ..... D8/373  
 11,015,641 B2 \* 5/2021 Cardella ..... E05B 15/102  
 D941,949 S \* 1/2022 Zheng ..... D21/826  
 D945,866 S 3/2022 Luo  
 D948,997 S \* 4/2022 Wang ..... D8/367  
 D953,150 S \* 5/2022 Luo ..... D8/367  
 D953,849 S \* 6/2022 Liu ..... D8/367  
 D956,529 S \* 7/2022 Schuster ..... D8/367  
 D960,694 S \* 8/2022 Chen ..... D8/367  
 D966,872 S \* 10/2022 Liu ..... D8/367  
 D966,873 S \* 10/2022 Chen ..... D8/367  
 D968,937 S \* 11/2022 Liang ..... D8/367  
 2014/0339389 A1 \* 11/2014 Futrell ..... A47B 97/00  
 248/303

\* cited by examiner

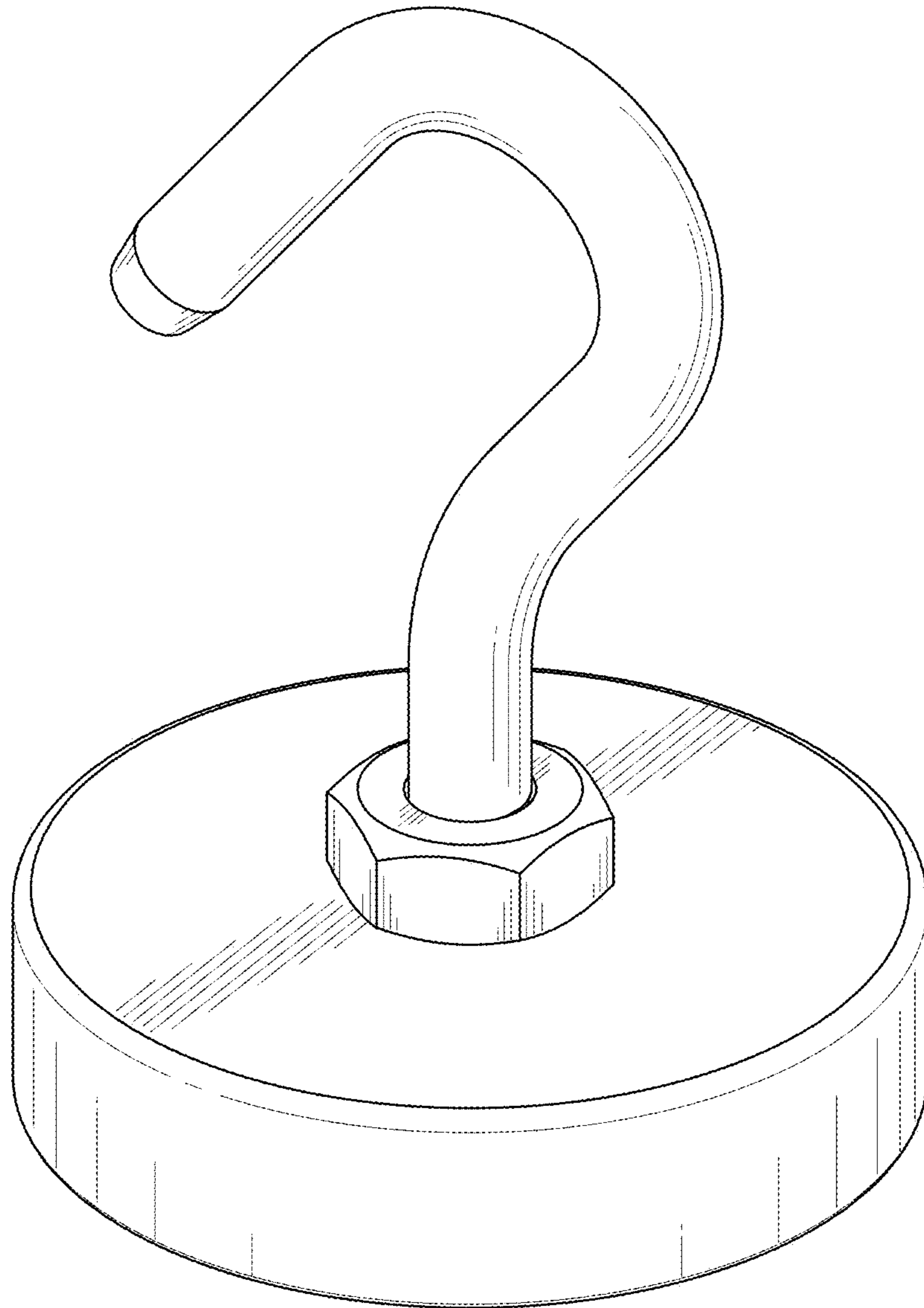


FIG. 1

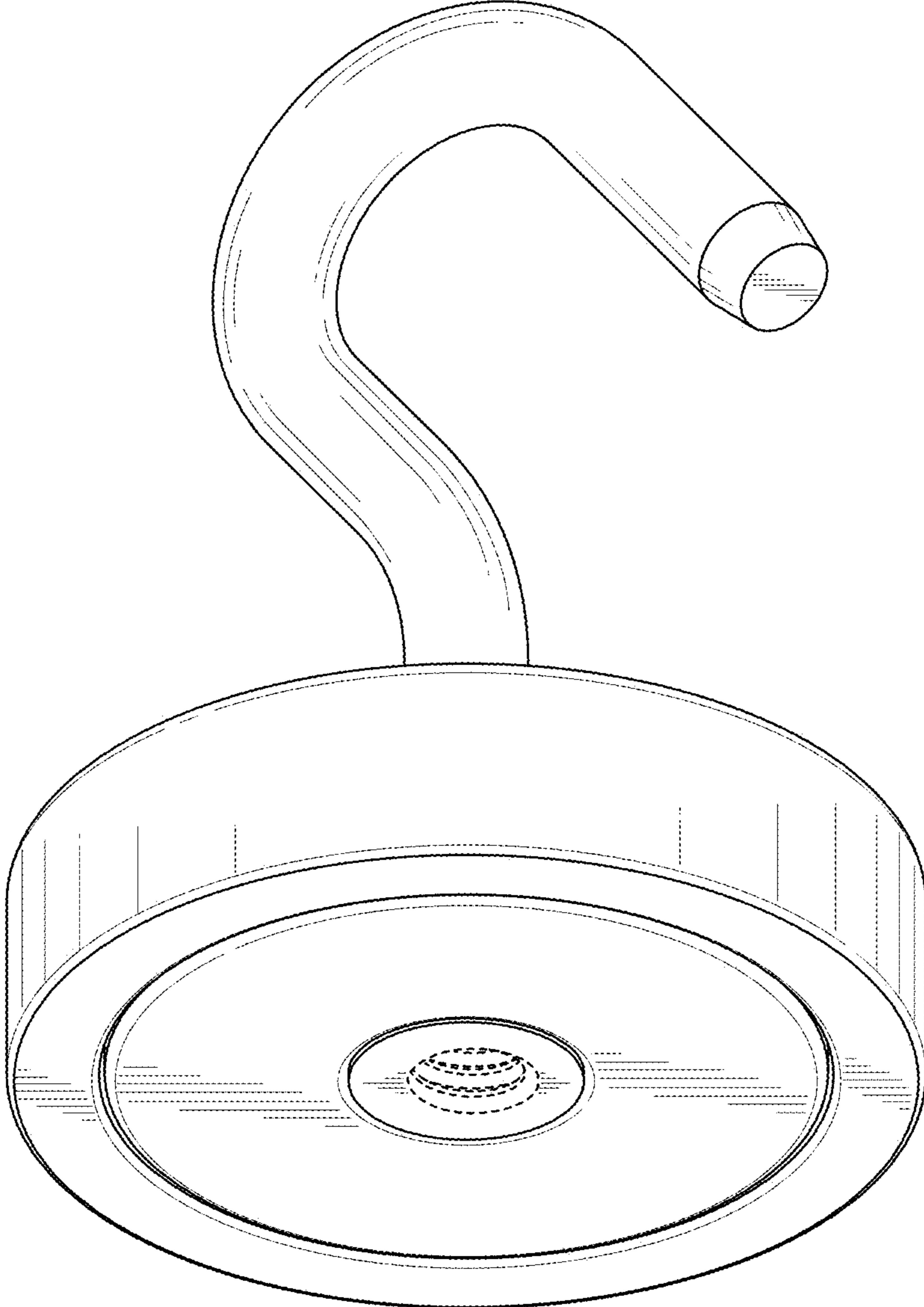


FIG. 2

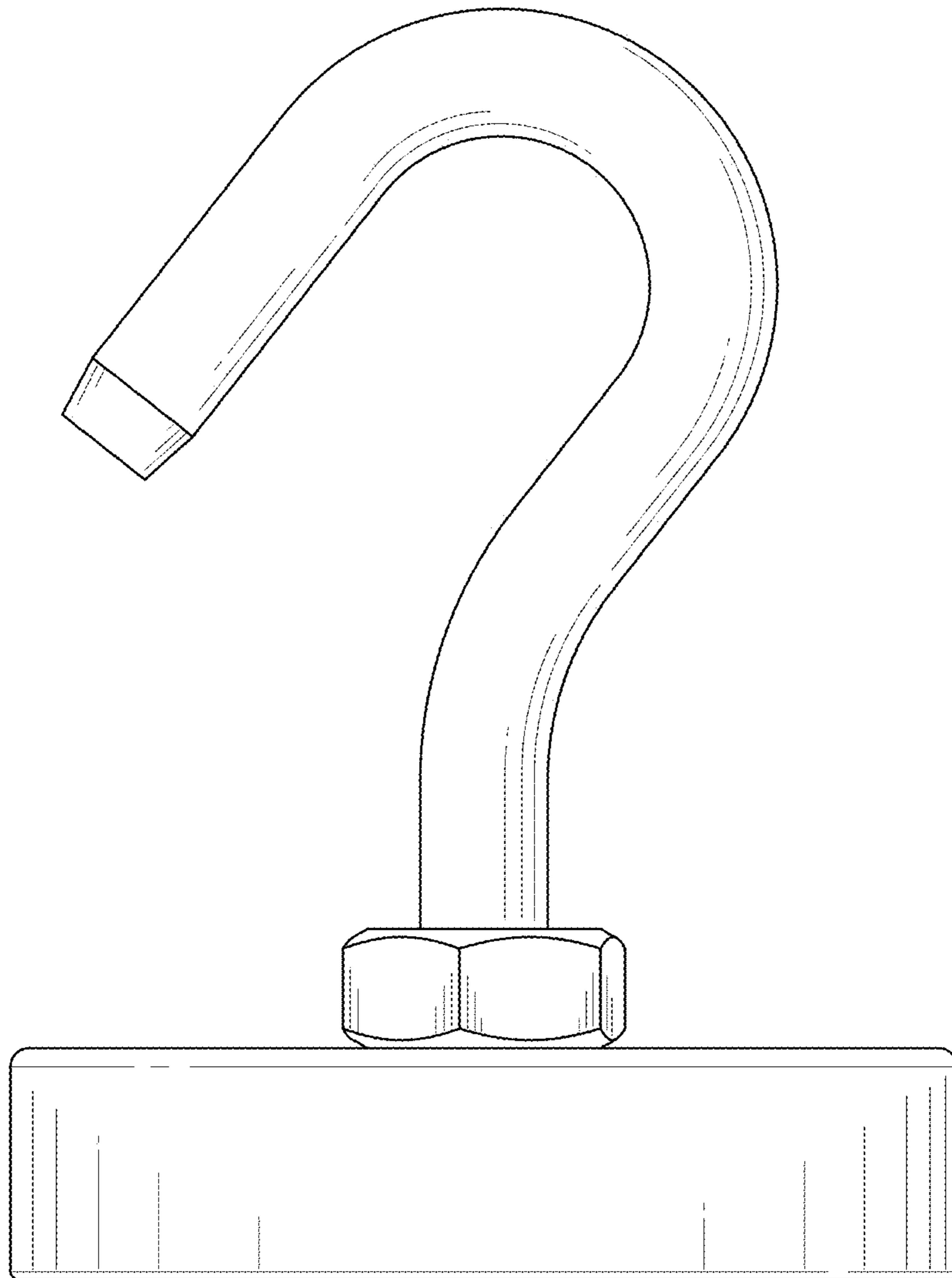


FIG. 3

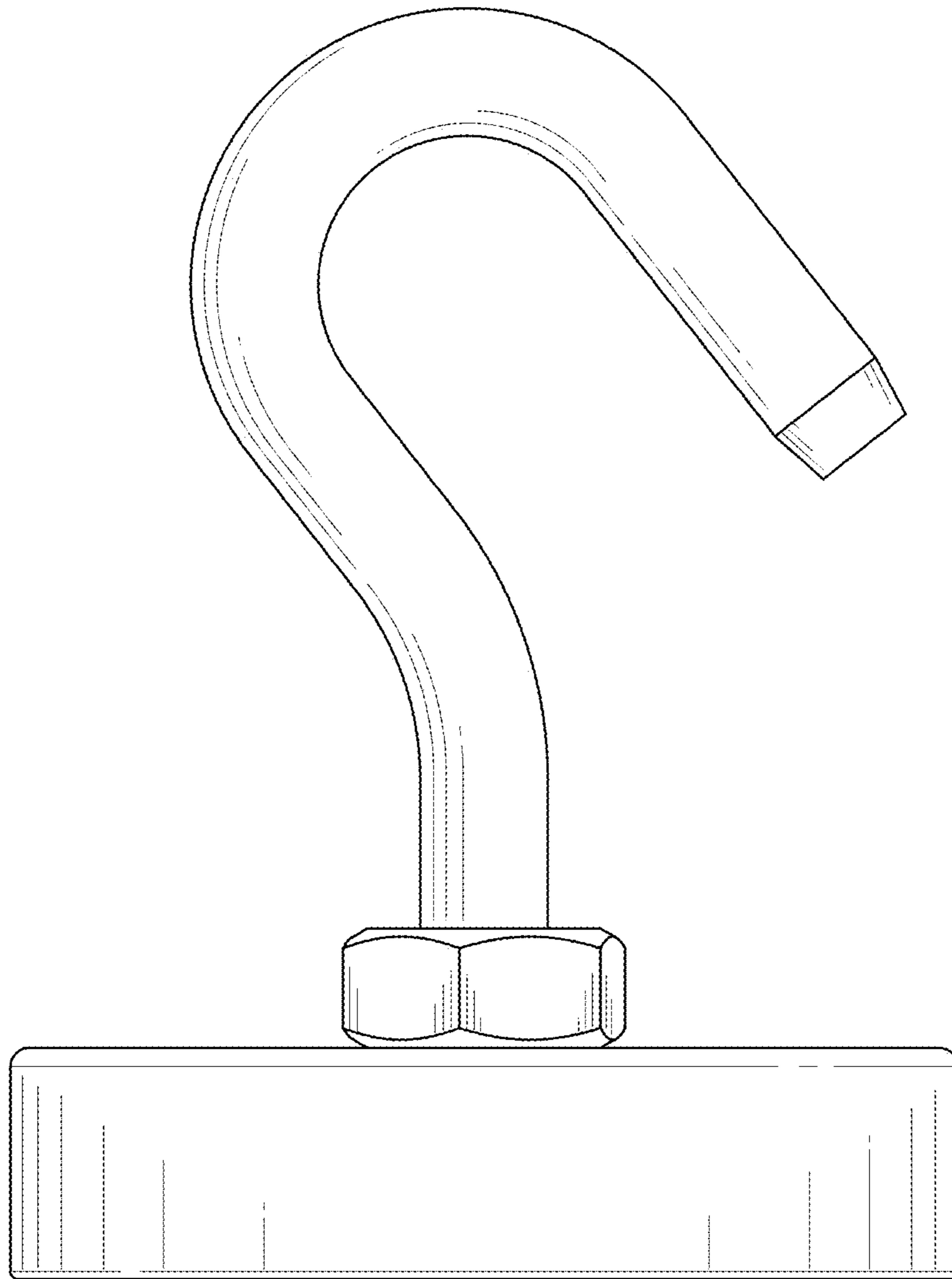


FIG. 4

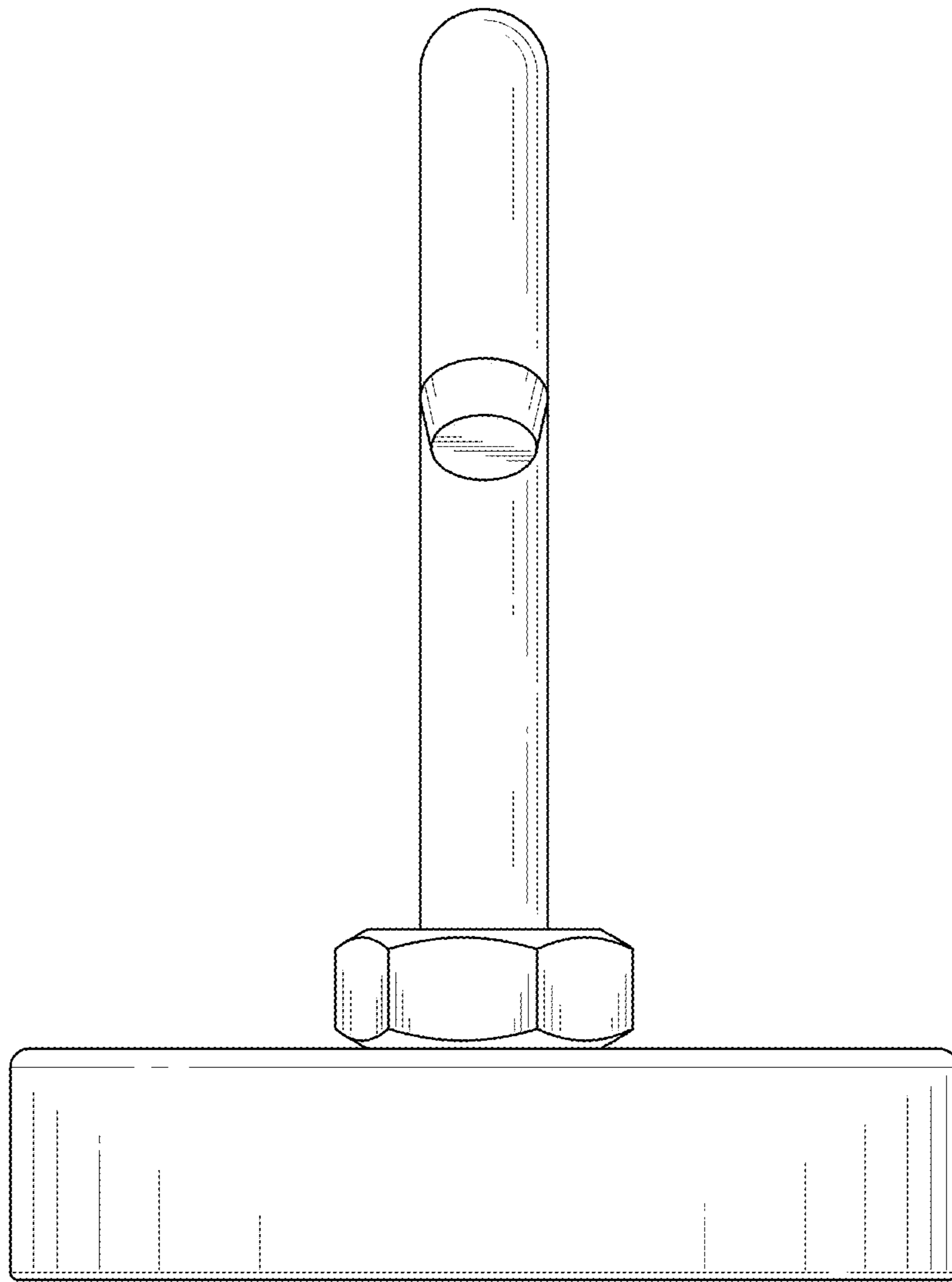


FIG. 5

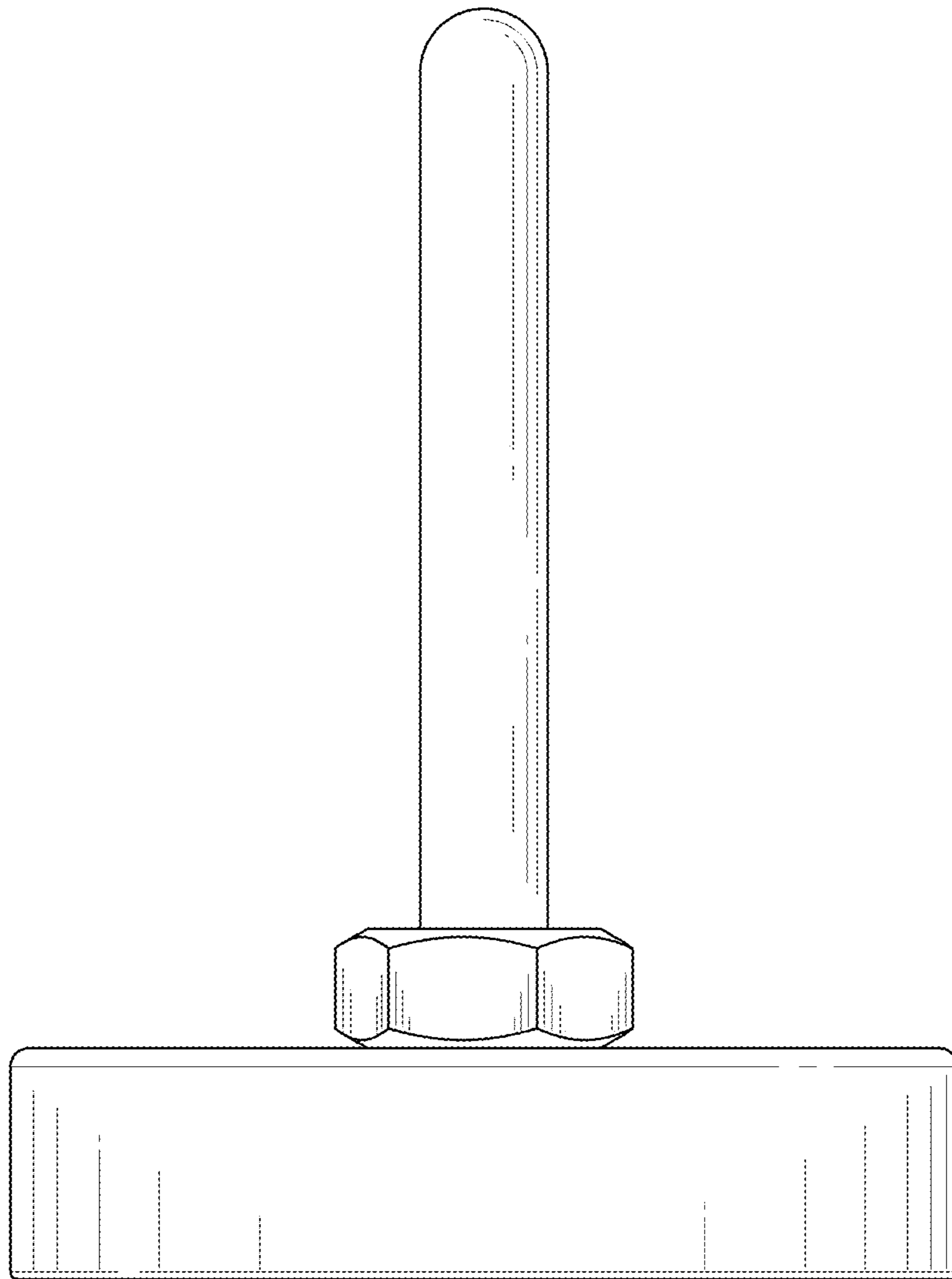


FIG. 6



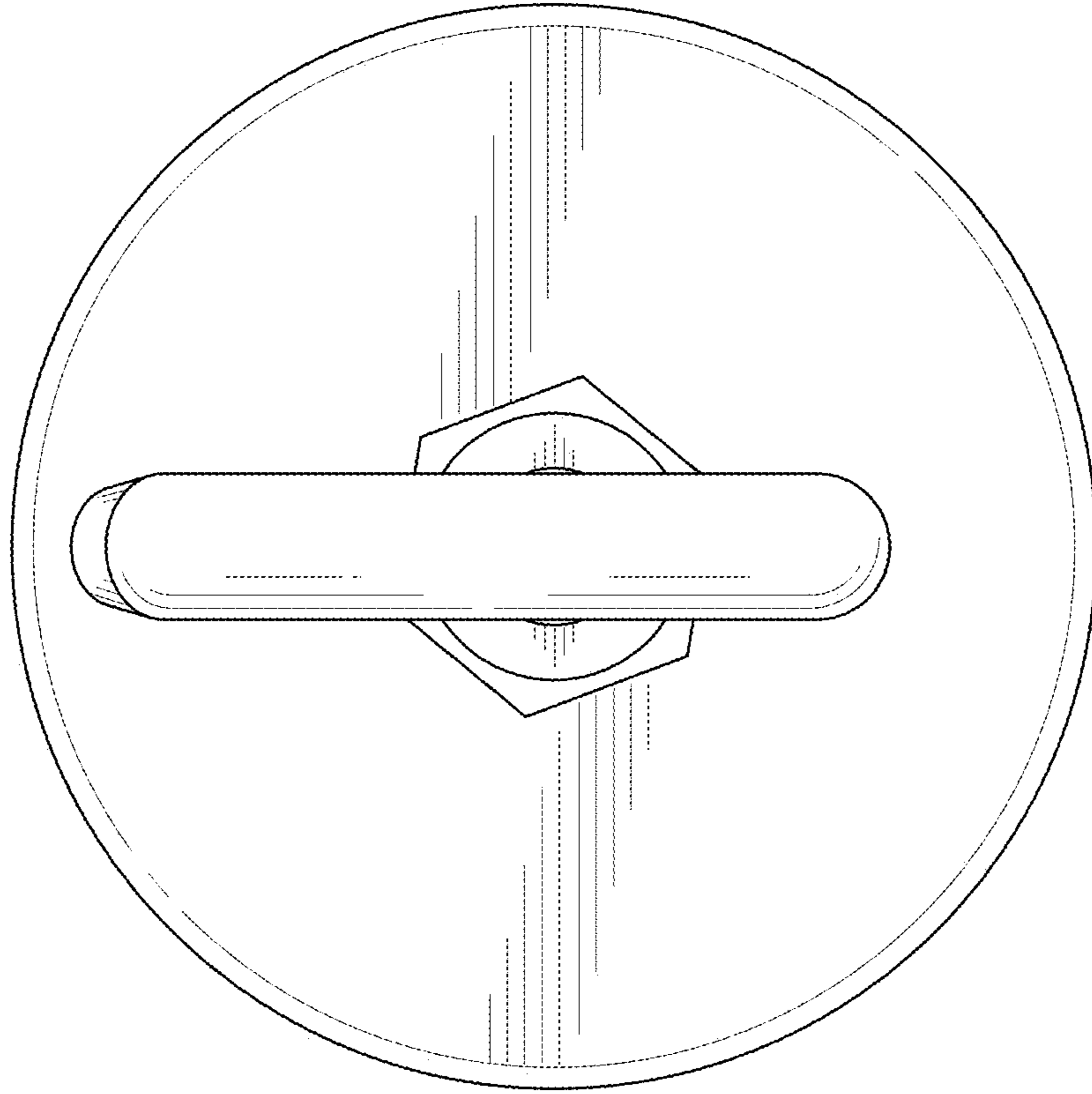


FIG. 7

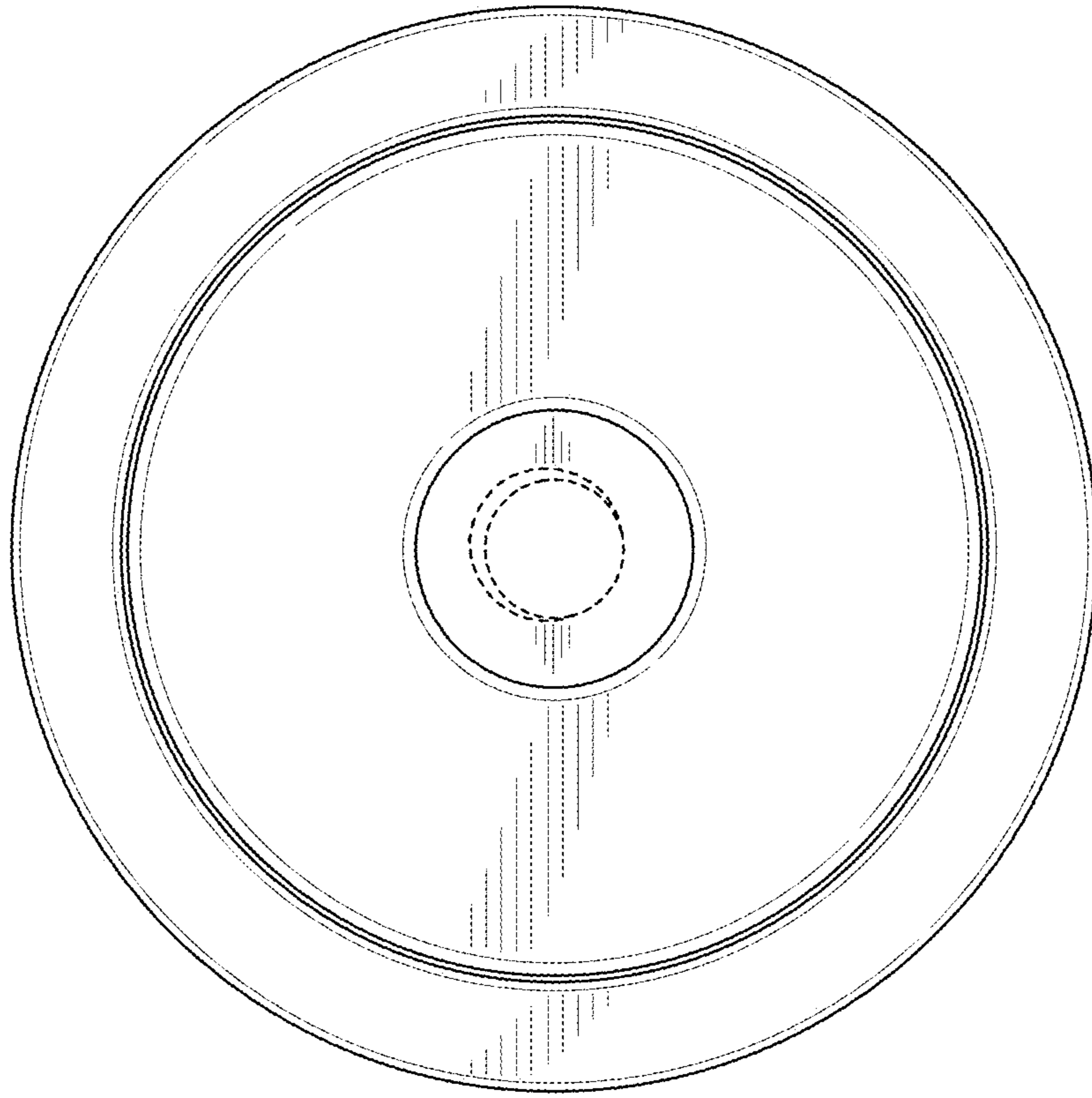


FIG. 8

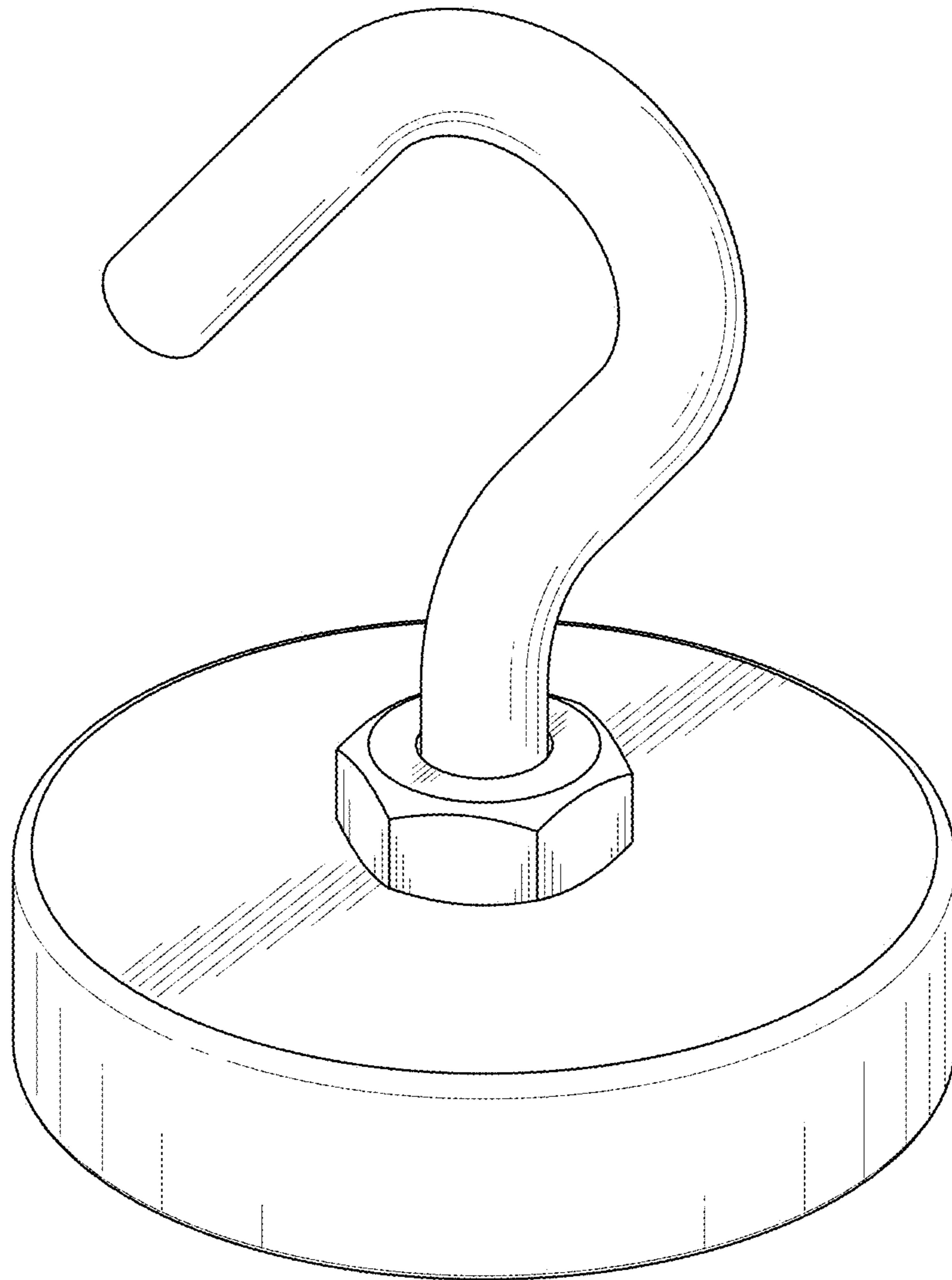


FIG. 9

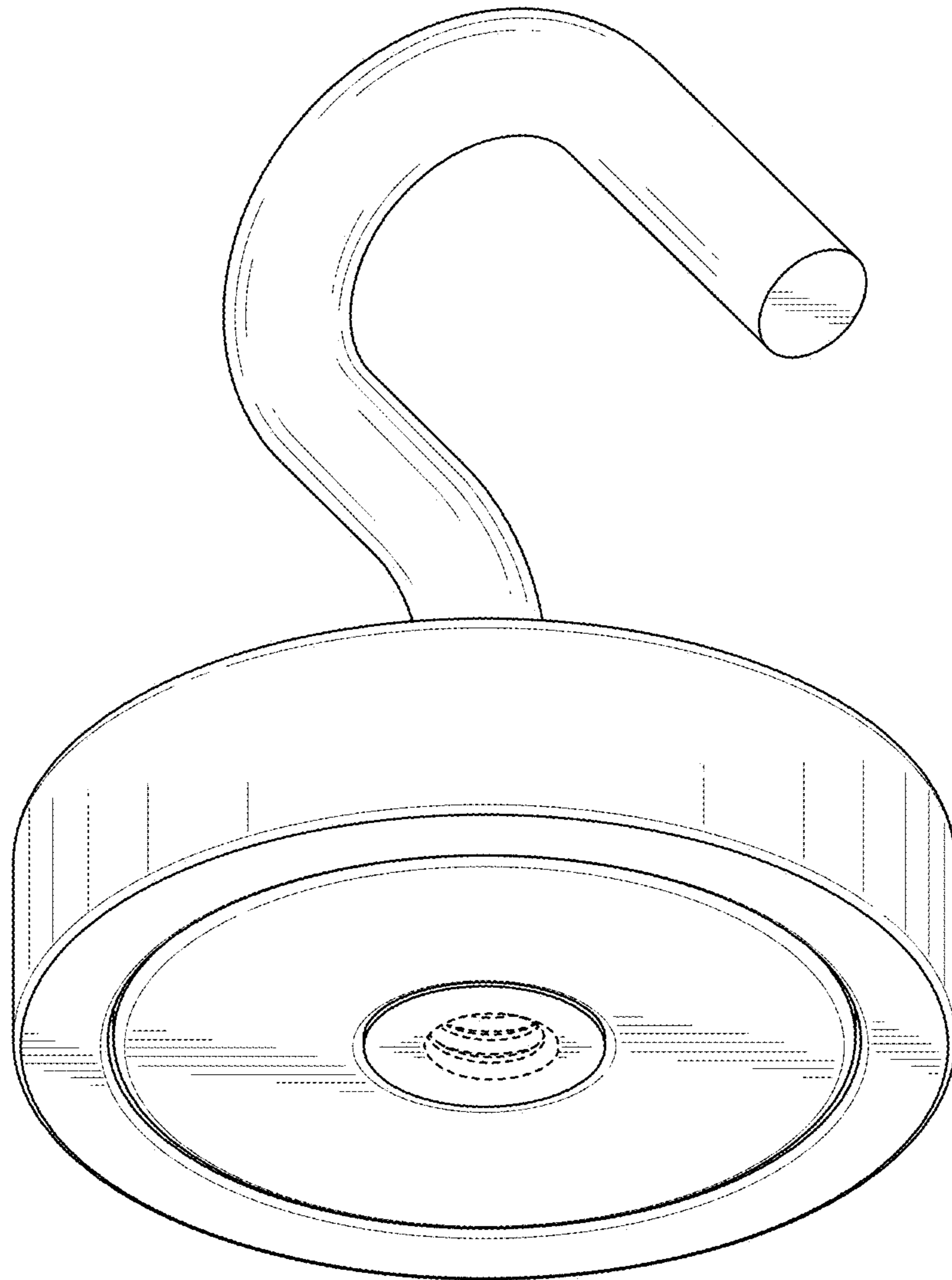


FIG. 10

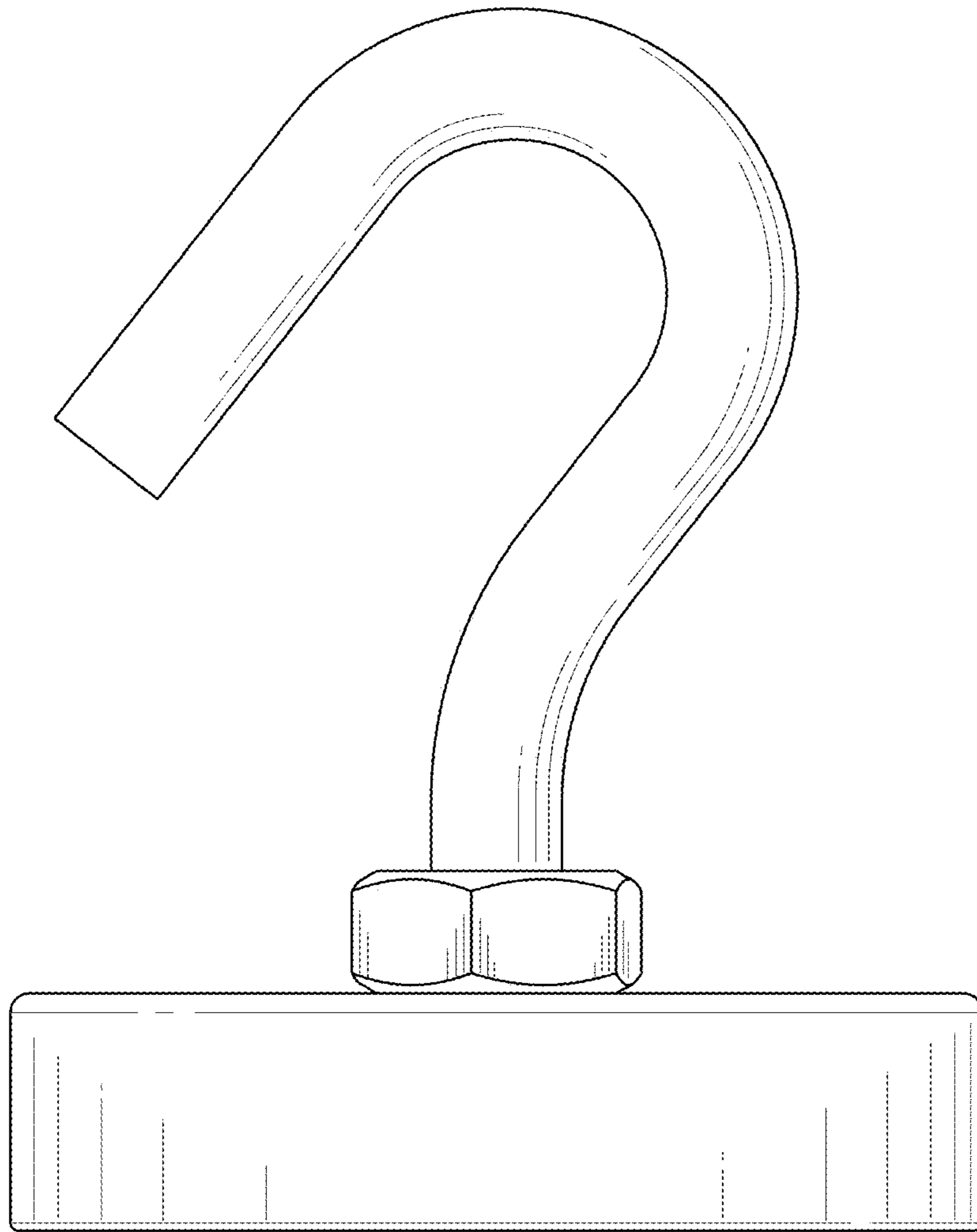


FIG. 11

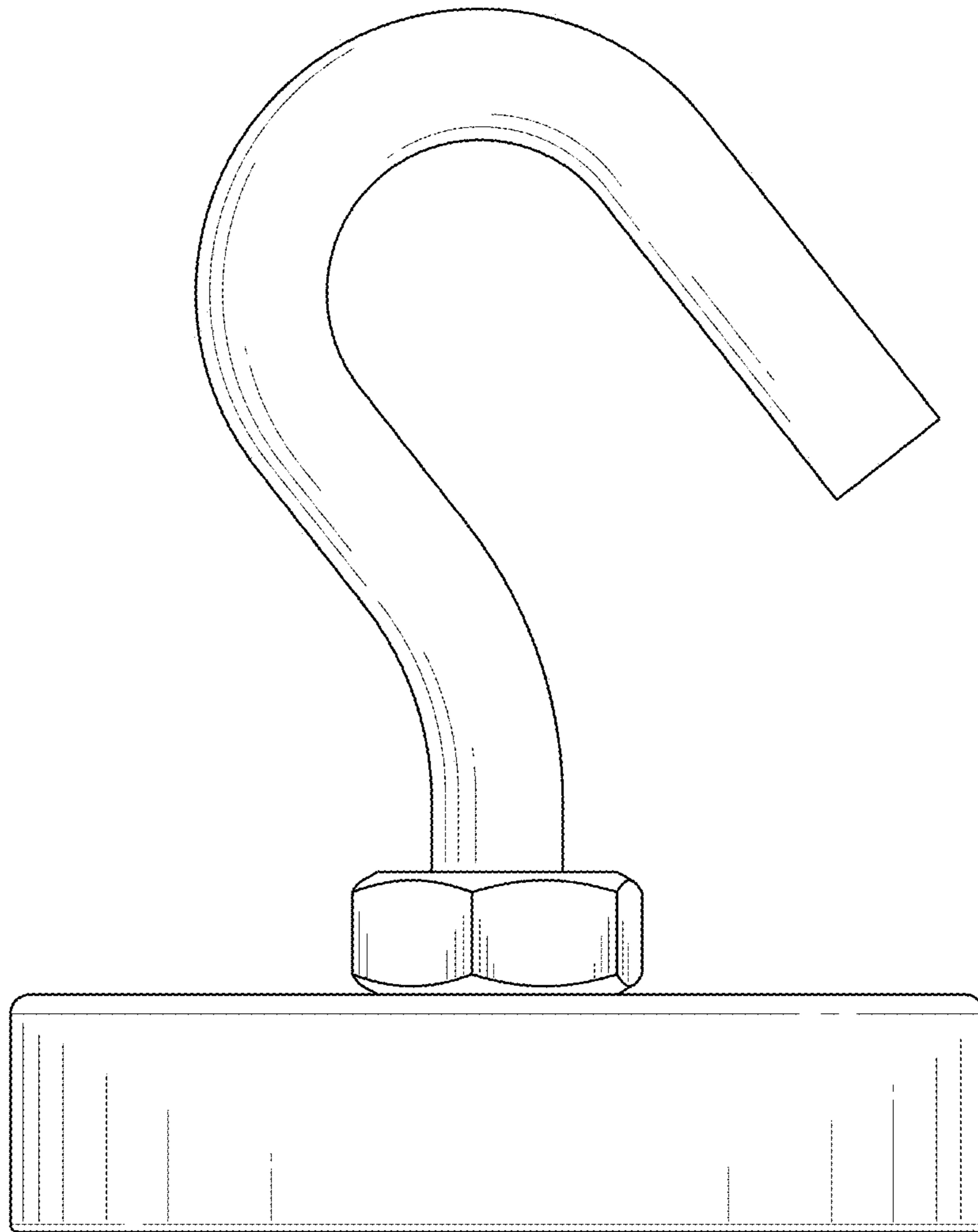


FIG. 12

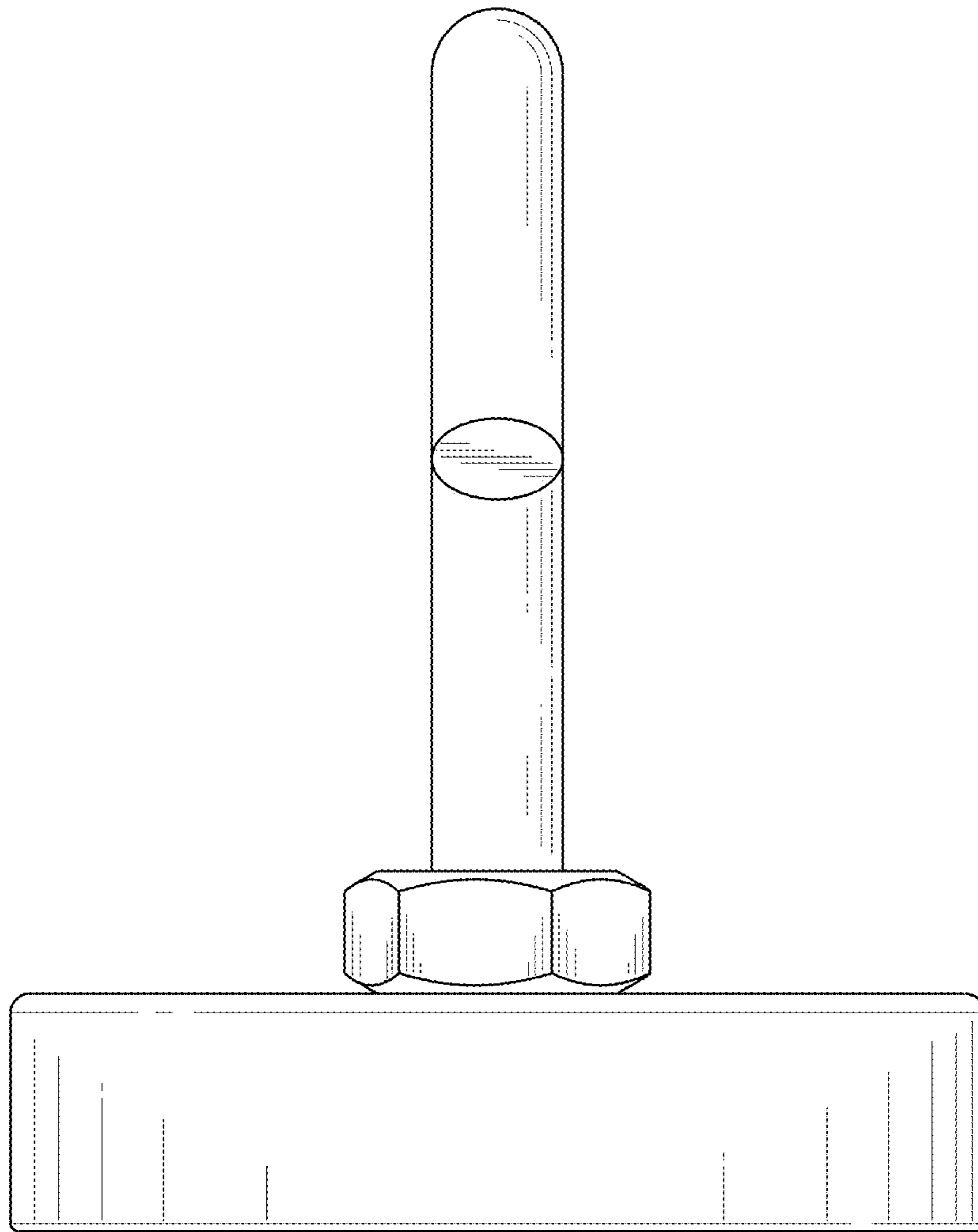


FIG. 13

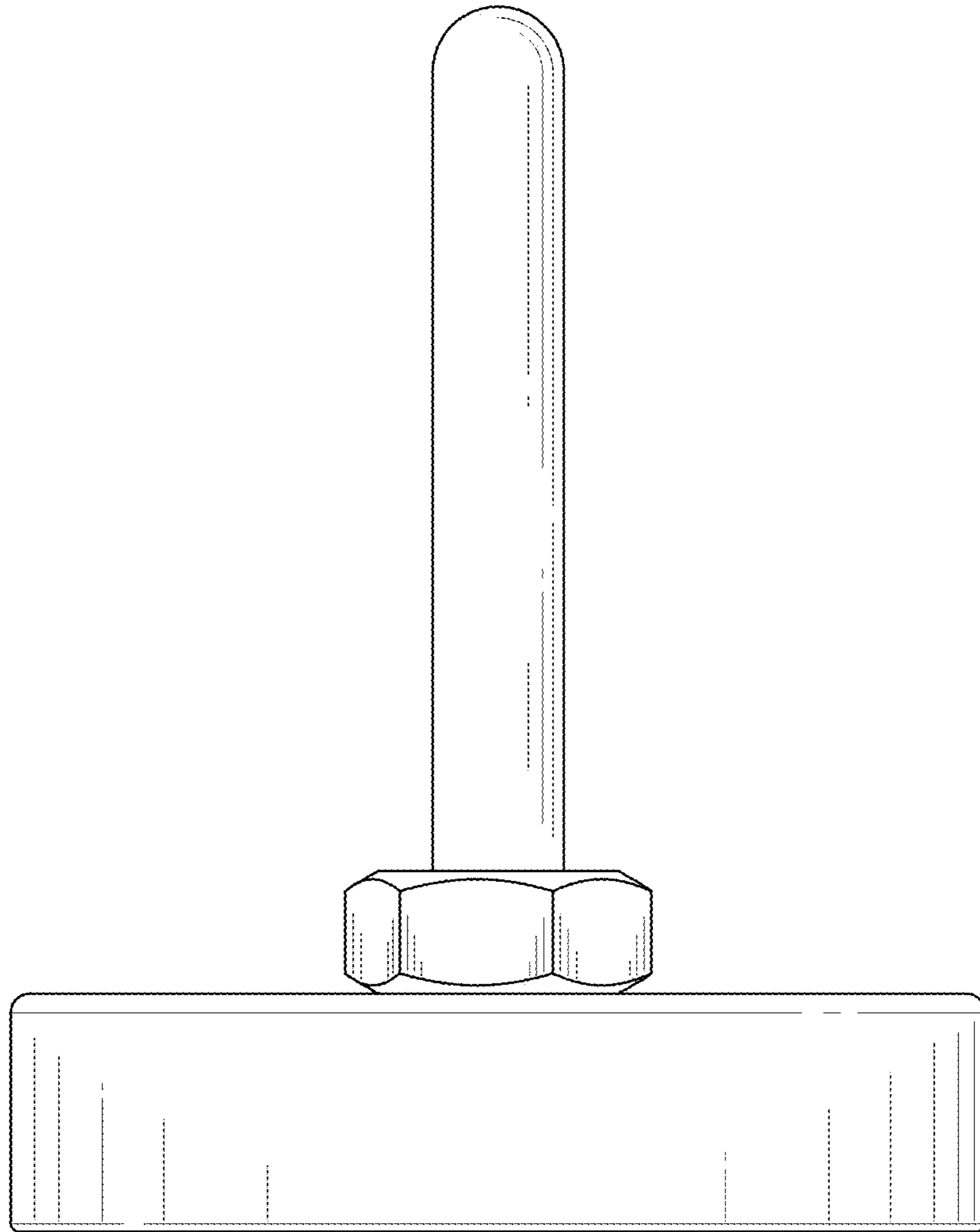


FIG. 14



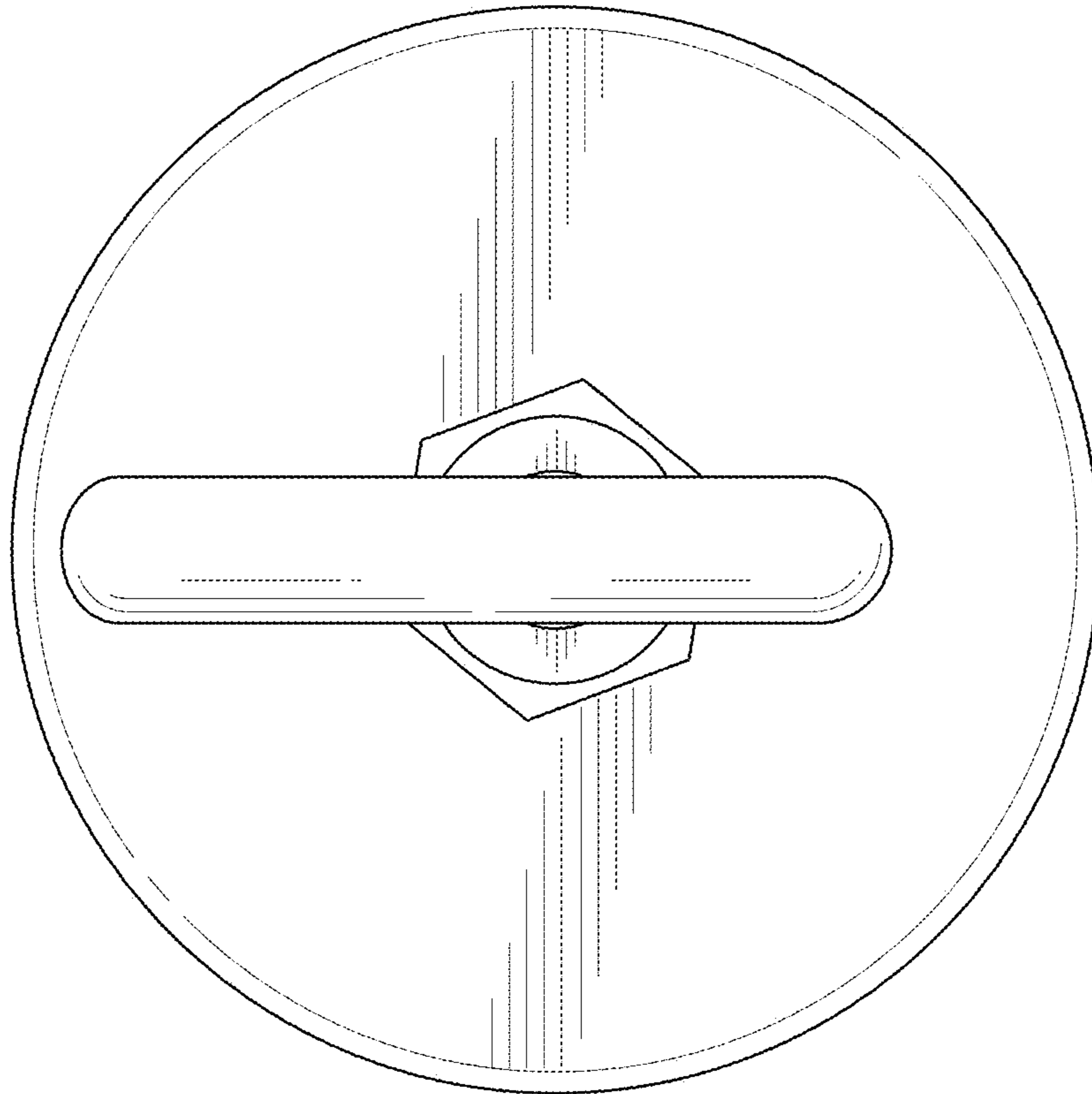


FIG. 15

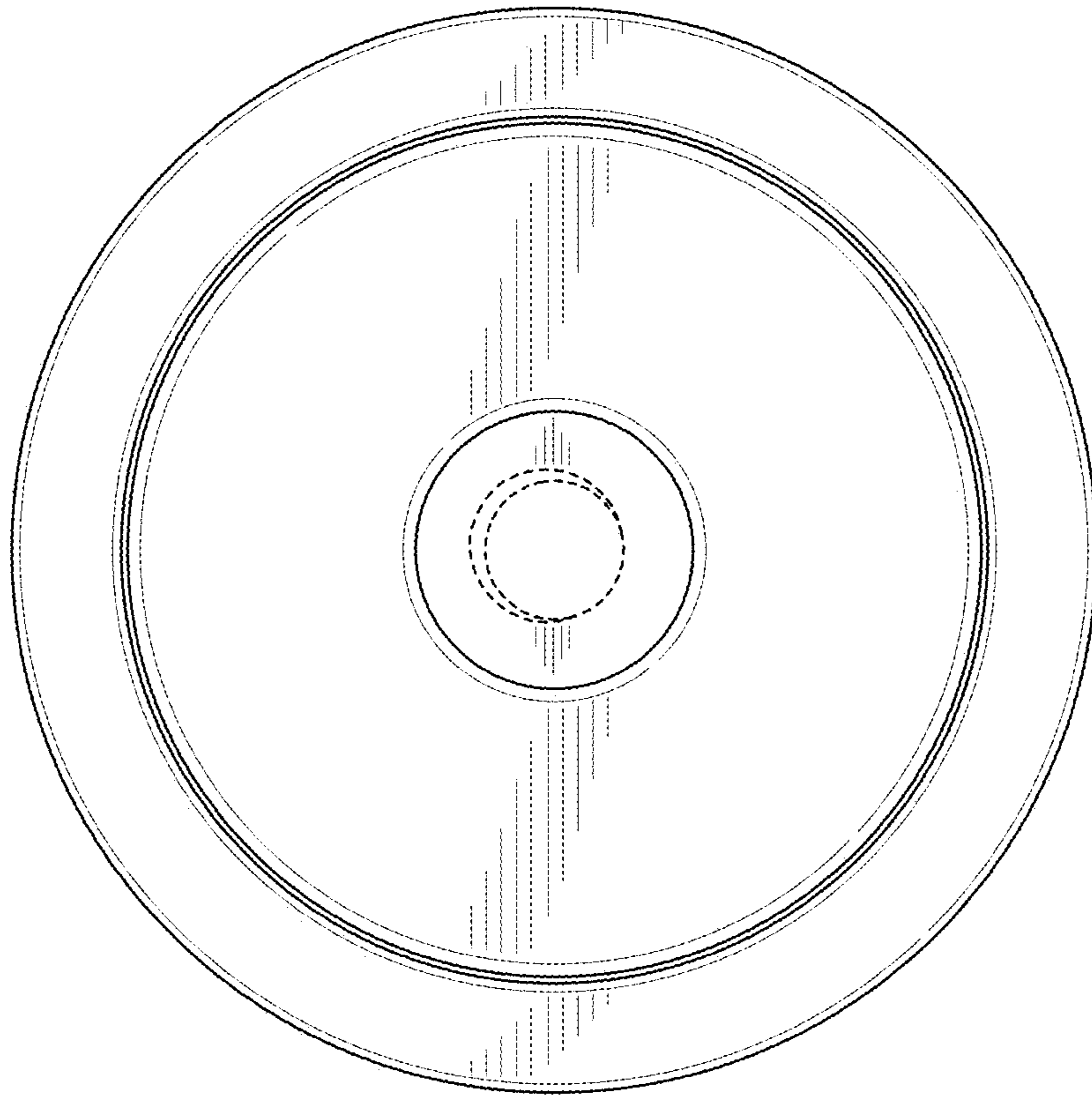


FIG. 16