



US00D980044S

(12) **United States Design Patent**
Ma

(10) **Patent No.:** **US D980,044 S**
(45) **Date of Patent:** **** Mar. 7, 2023**

(54) **BRACKET**

(71) Applicant: **Shenzhen Zhongshang Technology Co., Ltd.**, Shenzhen (CN)

(72) Inventor: **Huajian Ma**, Shenzhen (CN)

(73) Assignee: **Shenzhen Zhongshang Technology Co., Ltd.**, Shenzhen (CN)

(**) Term: **15 Years**

(21) Appl. No.: **29/774,157**

(22) Filed: **Mar. 15, 2021**

(51) **LOC (14) Cl.** **08-08**

(52) **U.S. Cl.**
USPC **D8/349**

(58) **Field of Classification Search**
USPC D8/349, 354, 355, 363, 371, 373;
D14/250, 217, 238.1, 240, 251, 252, 253,
D14/341

CPC A47B 23/042; A47B 23/04; A47B 23/043;
A47B 97/04; F16M 11/10; F16M 11/38;
F16M 11/24; F16M 13/00; F16M 13/04;
F16M 13/022; H05K 5/0204; H04M 1/04
See application file for complete search history.

(56) **References Cited**

U.S. PATENT DOCUMENTS

D632,159 S * 2/2011 Charette D8/354
D694,219 S * 11/2013 Parraga Gimeno D14/447
D697,514 S * 1/2014 Davis D14/447
D729,223 S * 5/2015 Haarburger D14/253
9,249,922 B2 * 2/2016 Haarburger A47B 23/042
D841,447 S * 2/2019 Vo D8/381

D858,511 S * 9/2019 Yu D14/253
D865,770 S * 11/2019 Igbo-Nwoke D14/447
2010/0213331 A1 * 8/2010 Liou F16M 11/2021
248/176.3
2012/0025039 A1 * 2/2012 Segal F16M 11/38
248/188.6
2012/0037047 A1 * 2/2012 Moldovan F16M 11/10
108/3
2013/0270413 A1 * 10/2013 Wilber F16M 11/00
248/558
2015/0034781 A1 * 2/2015 Kim G06F 1/16
248/174

* cited by examiner

Primary Examiner — Mark A Goodwin

(74) *Attorney, Agent, or Firm* — ScienBiziP, P.C.

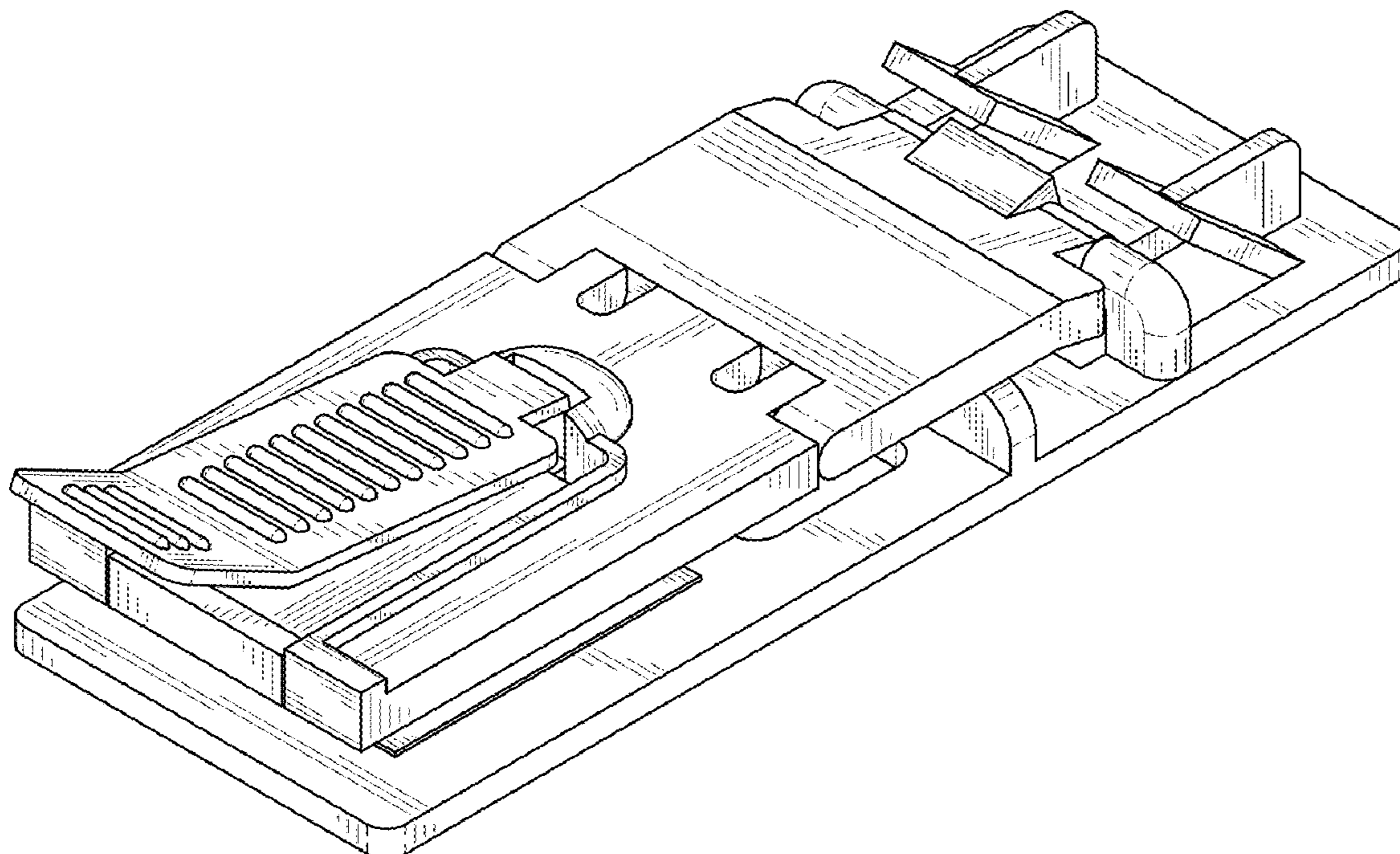
(57) **CLAIM**

The ornamental design for a bracket, as shown and described.

DESCRIPTION

FIG. 1 is a front, left, and top perspective view of a bracket, showing my design.
FIG. 2 is a rear, right, and bottom perspective view thereof.
FIG. 3 is a front elevation view thereof.
FIG. 4 is a rear elevation view thereof.
FIG. 5 is a left side elevation view thereof.
FIG. 6 is a right side elevation view thereof.
FIG. 7 is a top plan view thereof.
FIG. 8 is a bottom plan view thereof; and,
FIG. 9 is a perspective view of the bracket of FIG. 1, wherein a supporting part of the bracket is upright on the base.

1 Claim, 9 Drawing Sheets



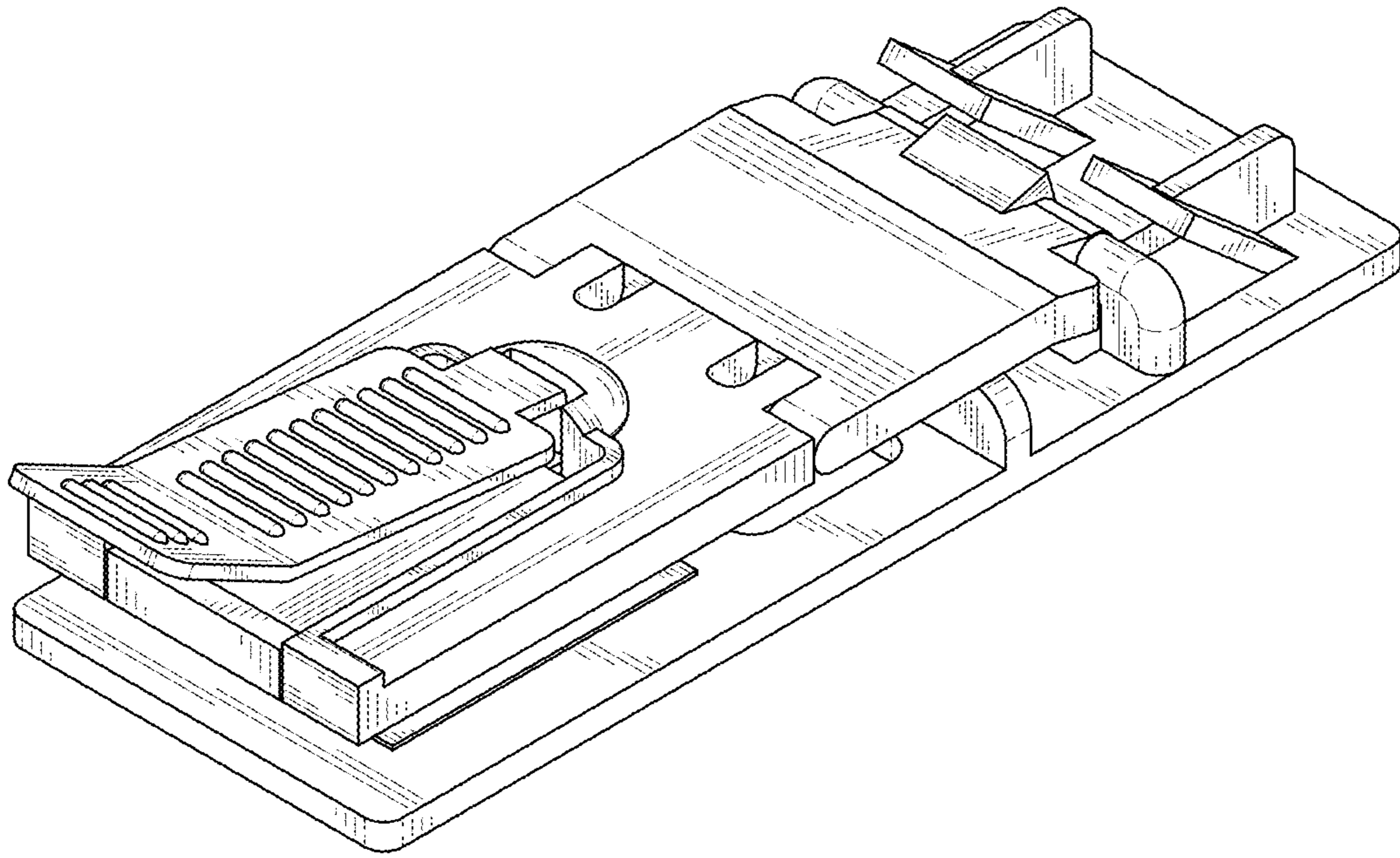


FIG. 1

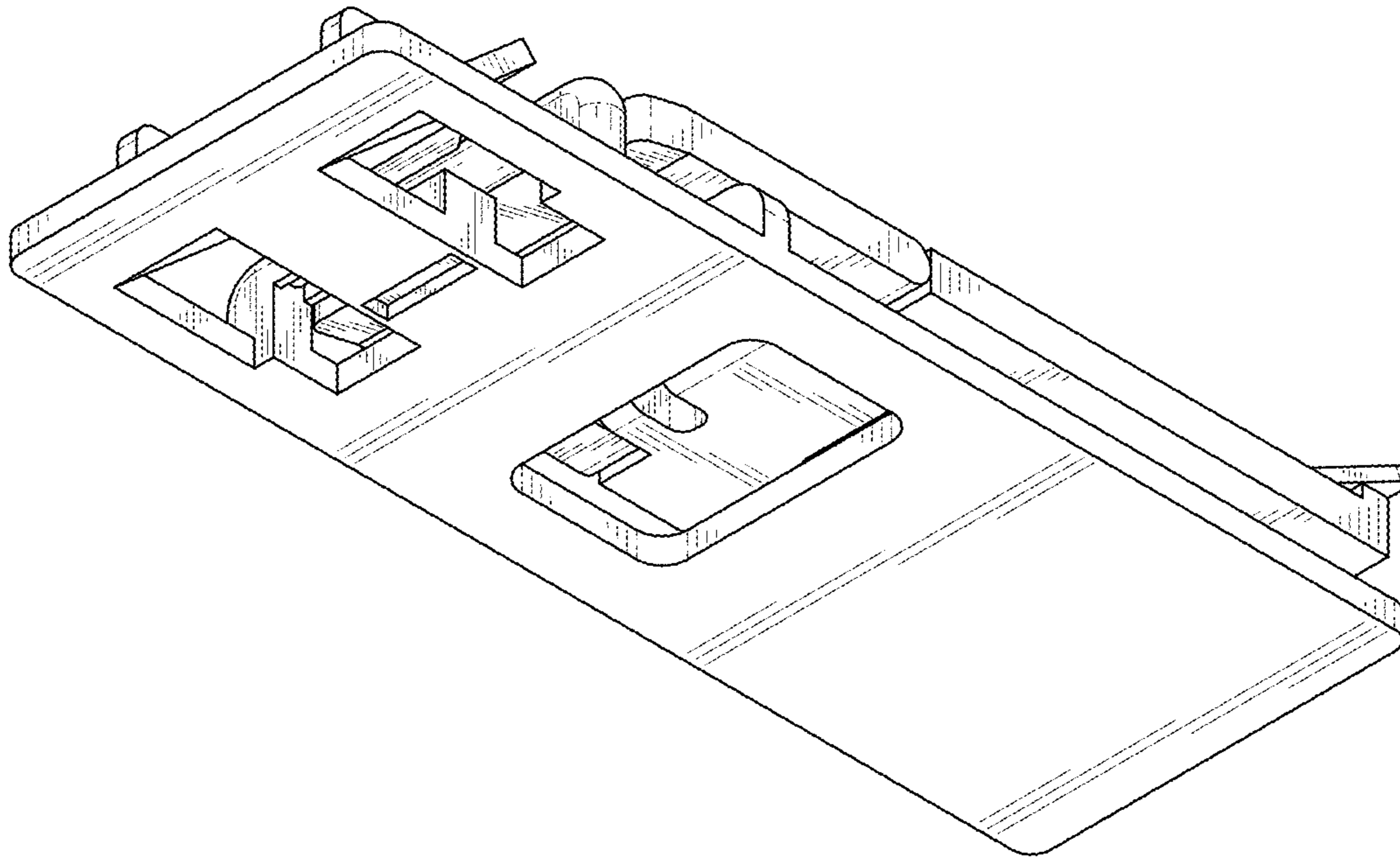


FIG. 2

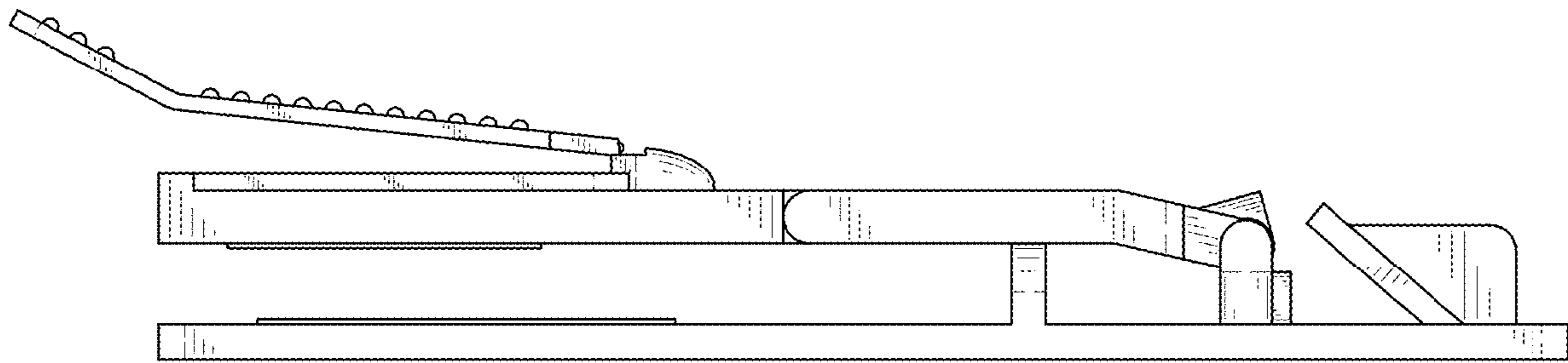


FIG. 3

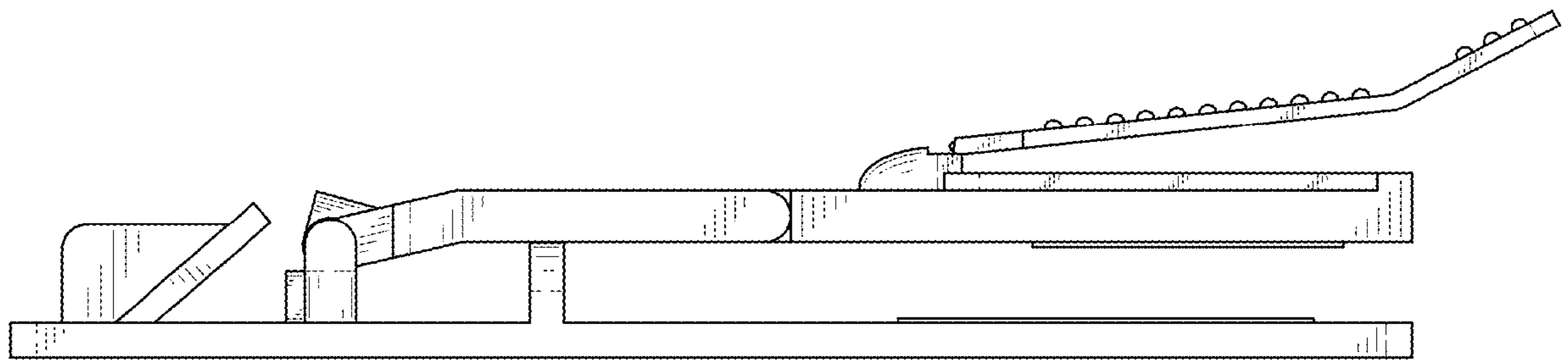


FIG. 4

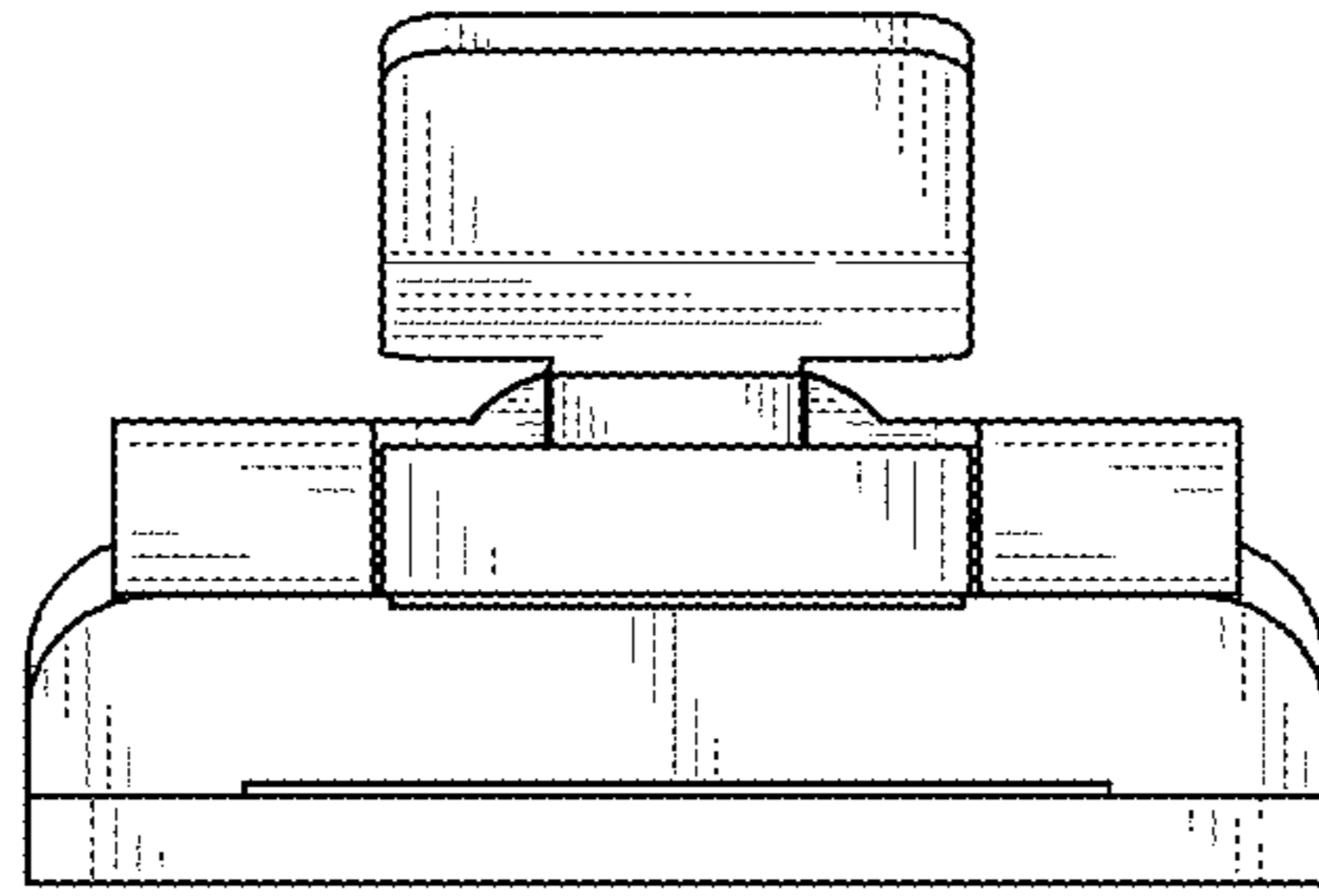


FIG. 5

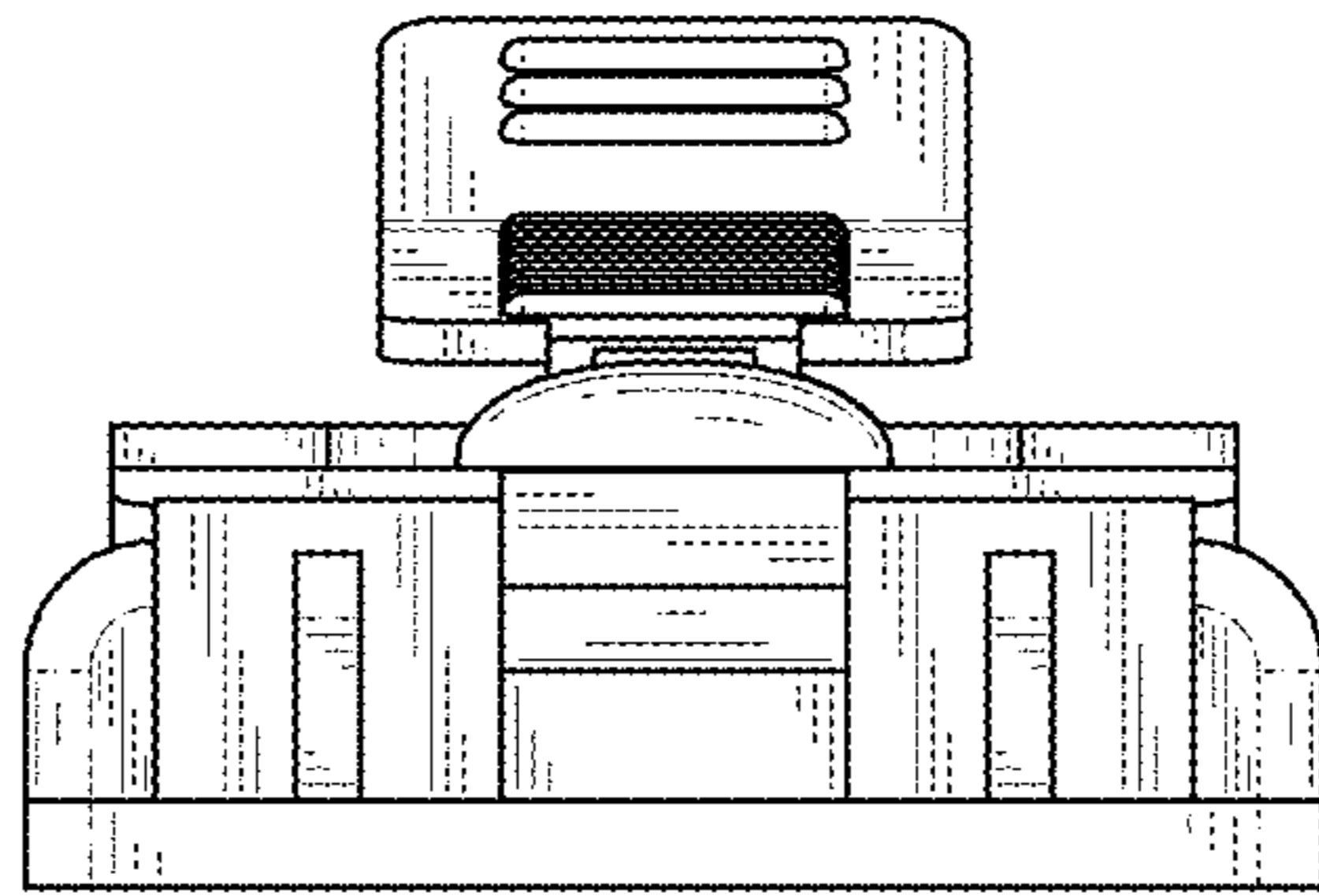


FIG. 6

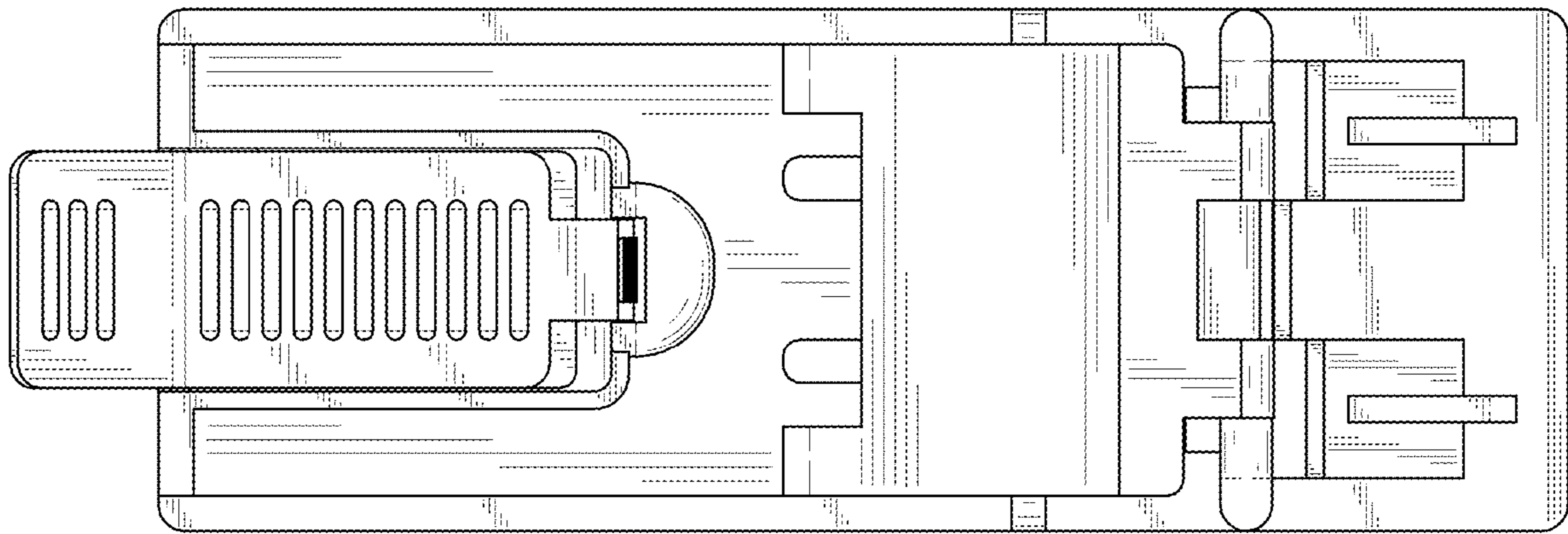


FIG. 7

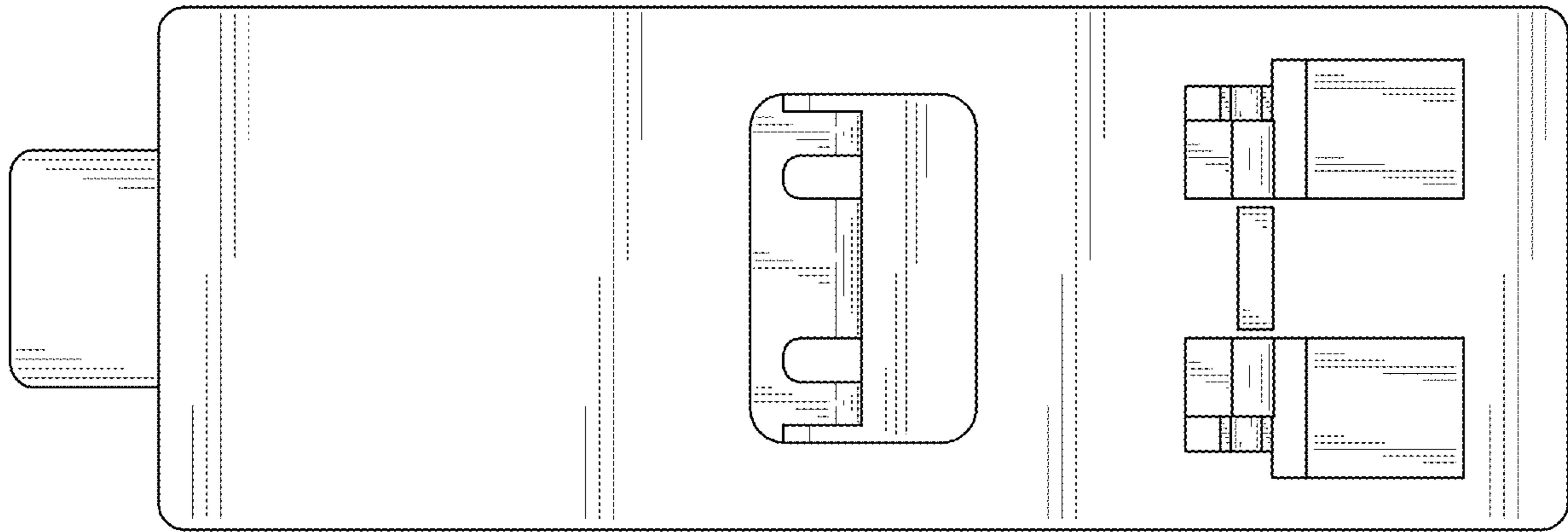


FIG. 8

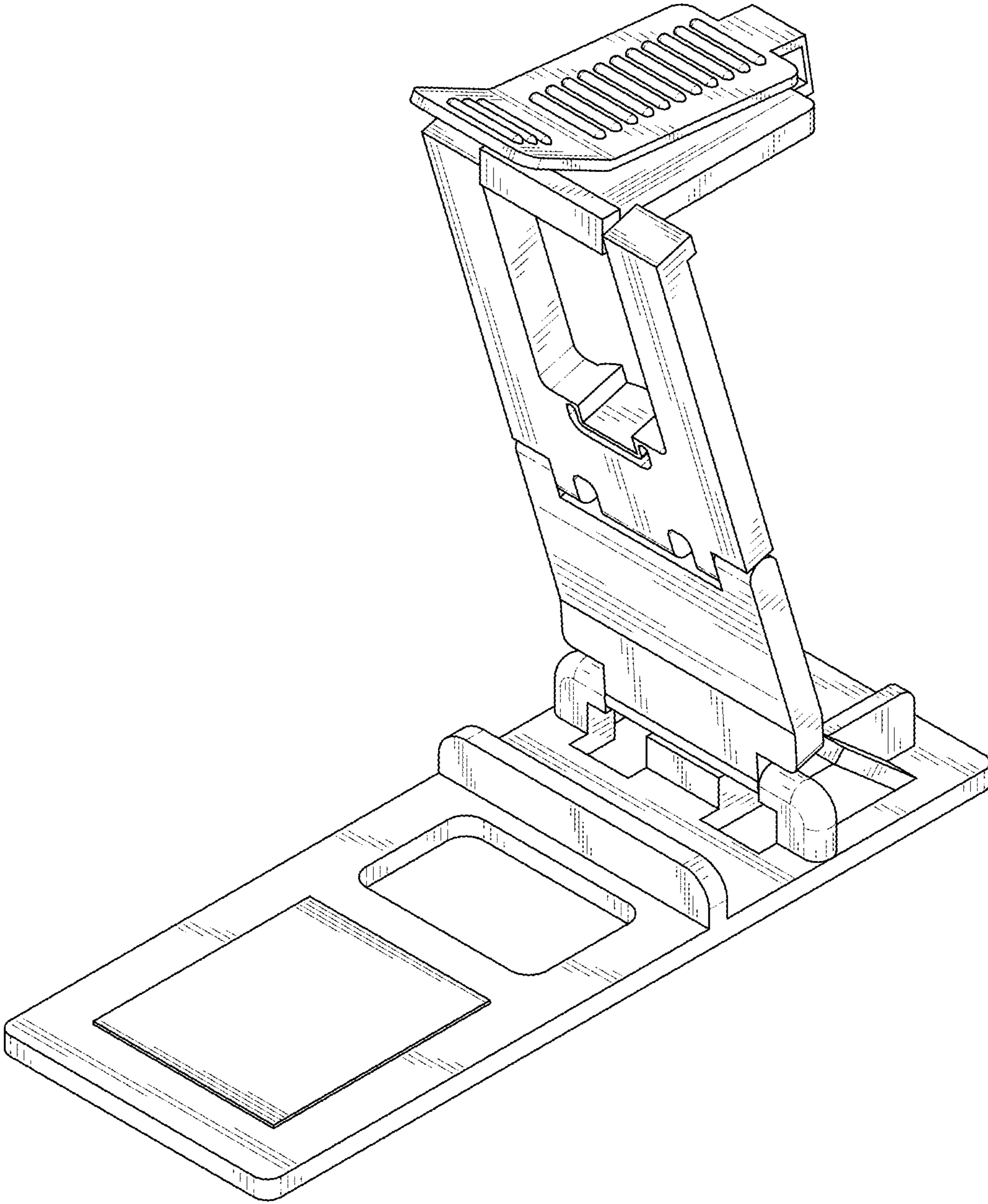


FIG. 9