



US00D980043S

(12) **United States Design Patent**
Jolley et al.

(10) **Patent No.:** **US D980,043 S**
(45) **Date of Patent:** **** Mar. 7, 2023**

(54) **BLENDED TURN BUTTON SET**

(71) Applicant: **B/E Aerospace, Inc.**, Winston-Salem, NC (US)

(72) Inventors: **Richard H. Jolley**, Addington (GB);
Hsin-I Tsai, Newport Pagnell (GB)

(73) Assignee: **B/E Aerospace, Inc.**, Winston-Salem, NC (US)

(**) Term: **15 Years**

(21) Appl. No.: **29/692,392**

(22) Filed: **May 24, 2019**

(51) **LOC (14) Cl.** **08-07**

(52) **U.S. Cl.**
USPC **D8/338**; D8/331

(58) **Field of Classification Search**
USPC D8/330-333, 336, 338, 343-346,
D8/300-302, 306-329; D14/392, 396,
D14/399, 455, 456; D6/702, 706, 641,
D6/329, 653

CPC E06B 9/68; E06B 2009/6818; E06B 9/60;
E06B 9/56; E06B 9/82; E06B 9/80; E06B
9/174; E06B 3/5009; E06B 3/921; E05F
15/43; E05F 15/77; E05F 5/02; E05F
17/00; E05Y 2201/244; E05Y 2400/612;
E05Y 2900/00; E05Y 2800/22; E05Y
2800/176; E05Y 2800/205; E05Y
2800/72; E05Y 2201/686; E05Y 2201/21;
E05Y 2600/46; E05Y 2800/122; E05D
13/1261; E05D 15/264; B25B 13/5016;
H02K 7/116; H02K 5/26; Y10T
74/19684; Y10T 74/19633; E05B 65/44;
E05B 65/46; E05B 65/462; E05B 65/463;
E05B 65/461; E05B 65/464; E05B 51/00;
E05B 35/00; E05B 39/00; E05B 47/0001;
E05B 2047/0069; B64D 11/04; B64D
11/00; B64D 11/02; B64F 5/00; A47B
77/14; B60N 3/10

See application file for complete search history.

(56) **References Cited**

U.S. PATENT DOCUMENTS

465,550 A *	12/1891	Zander	E05C 7/06 292/203
D74,626 S *	3/1928	Russ	D8/338
D77,462 S *	1/1929	Bartlett	D11/89
3,020,742 A *	2/1962	Gehrie	E05B 65/5253 292/241
D210,159 S *	2/1968	Russ	D8/341
D337,508 S *	7/1993	Shaanan	D8/338
D482,593 S *	11/2003	Wolf	D8/342

(Continued)

Primary Examiner — Lauren R Calve

(74) *Attorney, Agent, or Firm* — Suiter Swantz pc llo

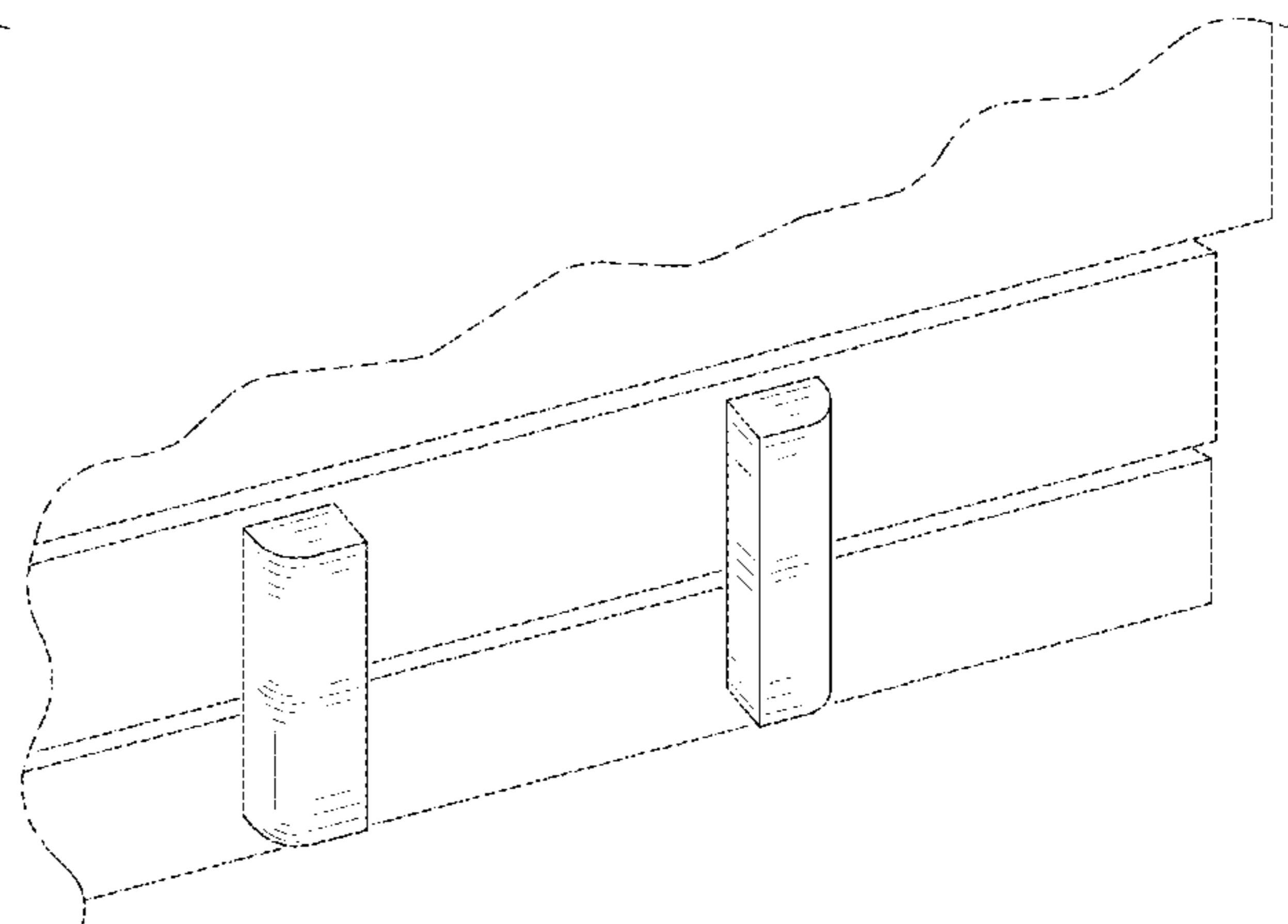
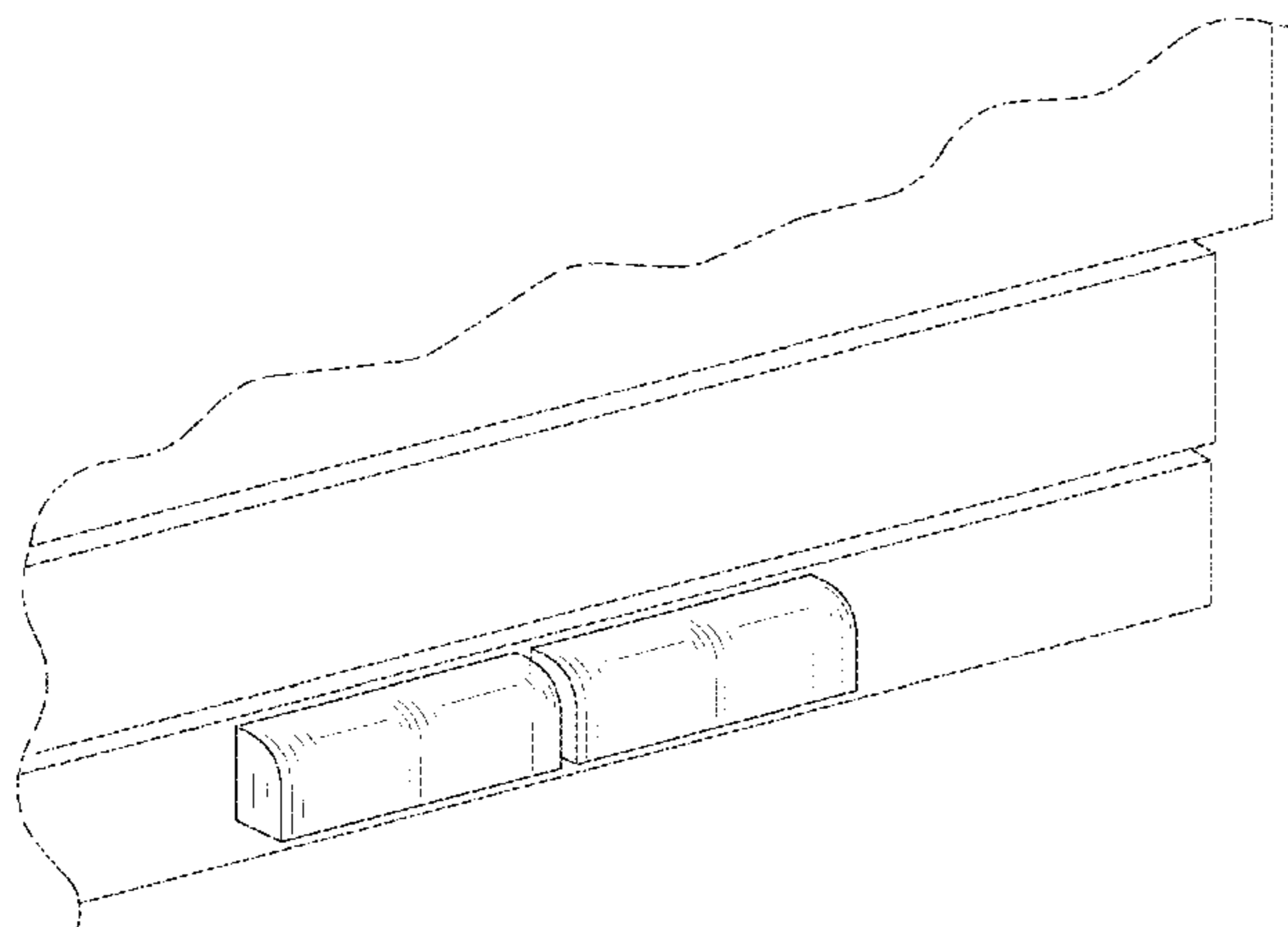
(57) **CLAIM**

The ornamental design for a blended turn button set, as shown and described.

DESCRIPTION

FIG. 1 is a perspective view of a blended turn button set in an unlatched position;
FIG. 2 is a perspective view of the blended turn button set of FIG. 1 in a latched position;
FIG. 3 is a top plan view of the blended turn button set of FIG. 1 in the unlatched position;
FIG. 4 is a front elevation view of the blended turn button set of FIG. 1 in the unlatched position;
FIG. 5 is a left side elevation view of the blended turn button set of FIG. 1 in the unlatched position;
FIG. 6 is a rear elevation view of the blended turn button set of FIG. 1 in the unlatched position;
FIG. 7 is a right side elevation view of the blended turn button set of FIG. 1 in the unlatched position; and,
FIG. 8 is a bottom plan view of the blended turn button set of FIG. 1 in the unlatched position.
The broken lines shown represent environmental structure and form no part of the claimed design.

1 Claim, 8 Drawing Sheets



(56)

References Cited

U.S. PATENT DOCUMENTS

D544,336 S * 6/2007 Kuramochi D8/331
D694,048 S * 11/2013 Eckert D6/706
2018/0016008 A1* 1/2018 Payne B64F 5/00
2020/0314620 A1* 10/2020 Reed B64D 11/0015

* cited by examiner

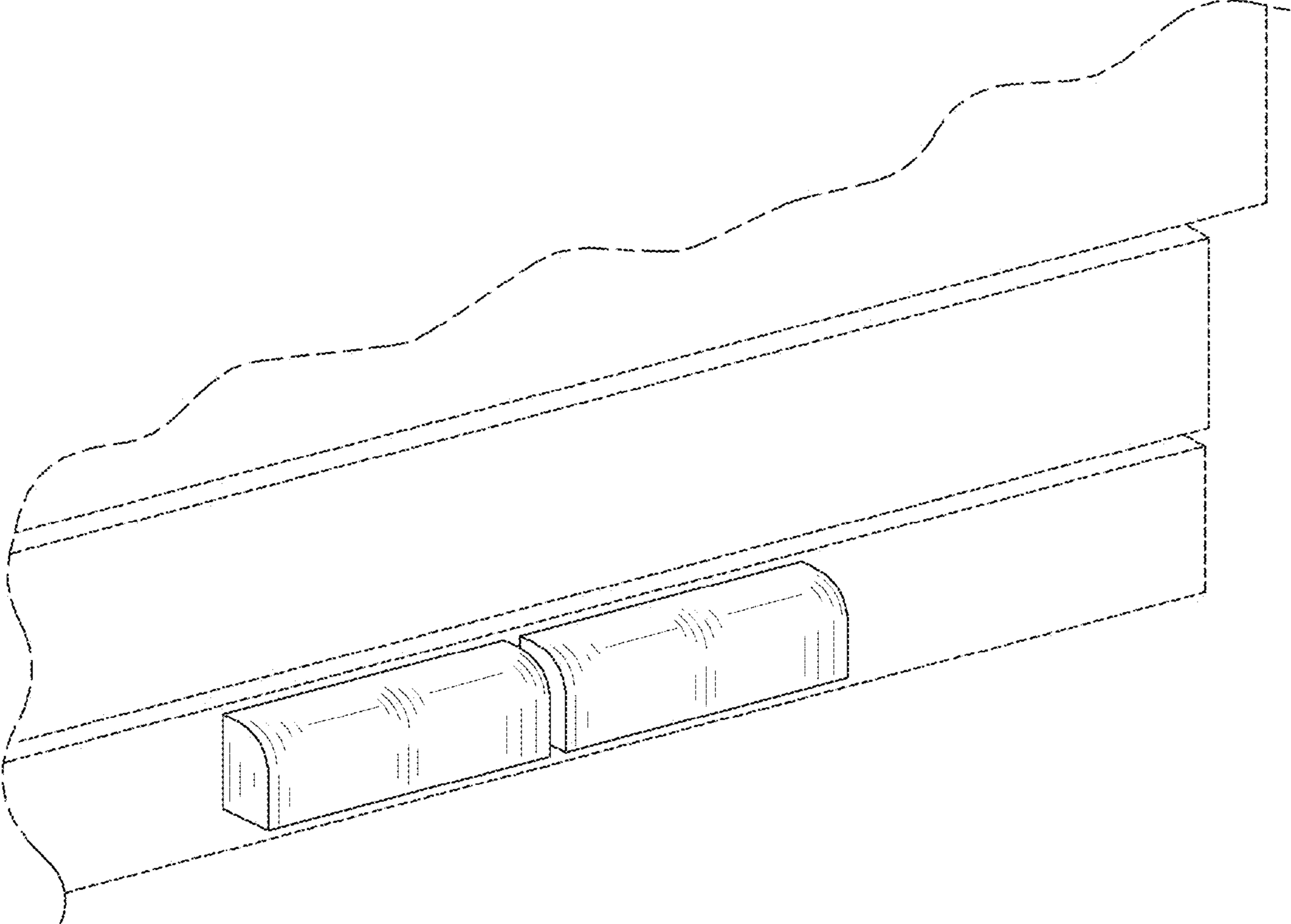


FIG. 1

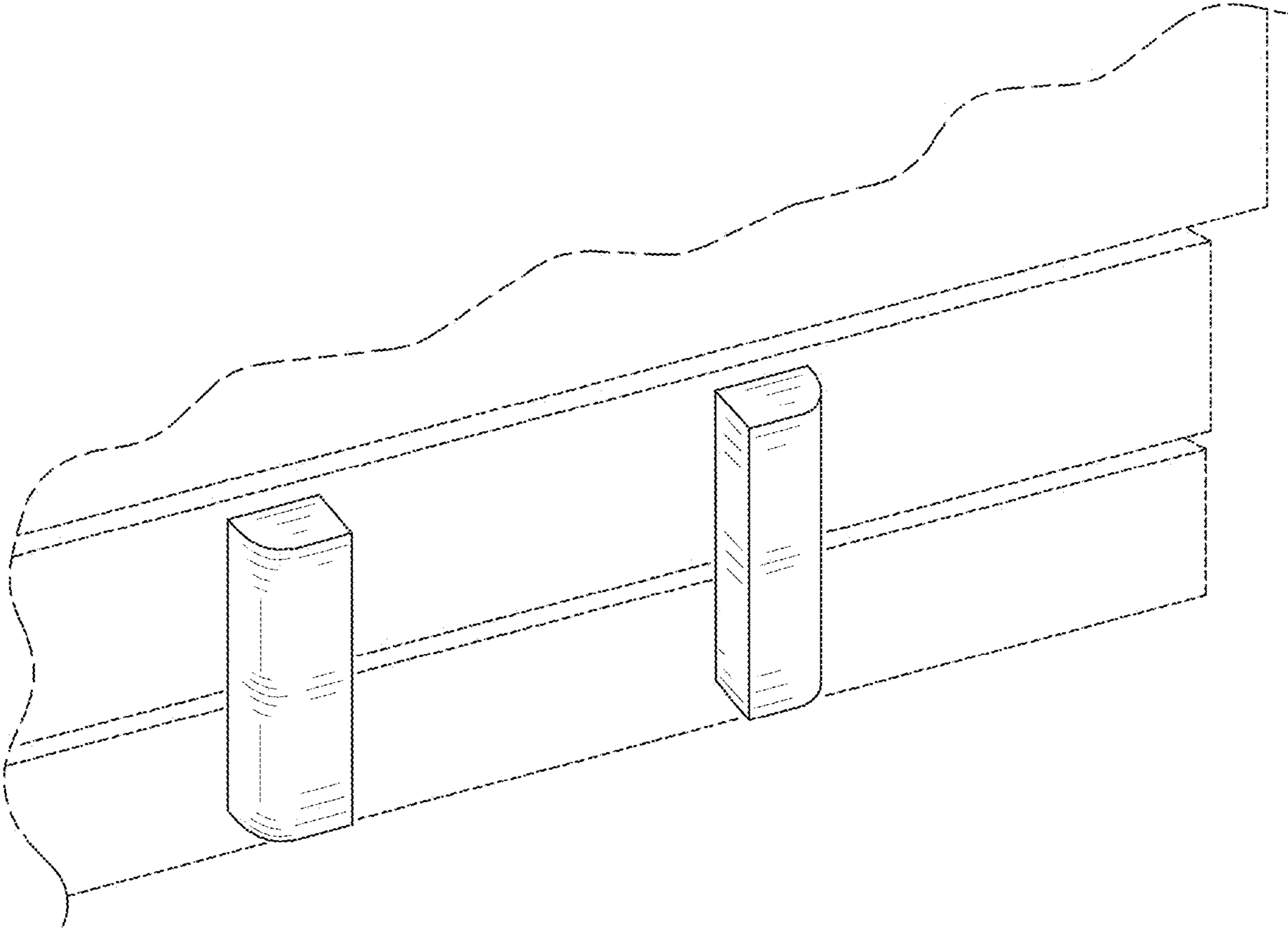


FIG. 2

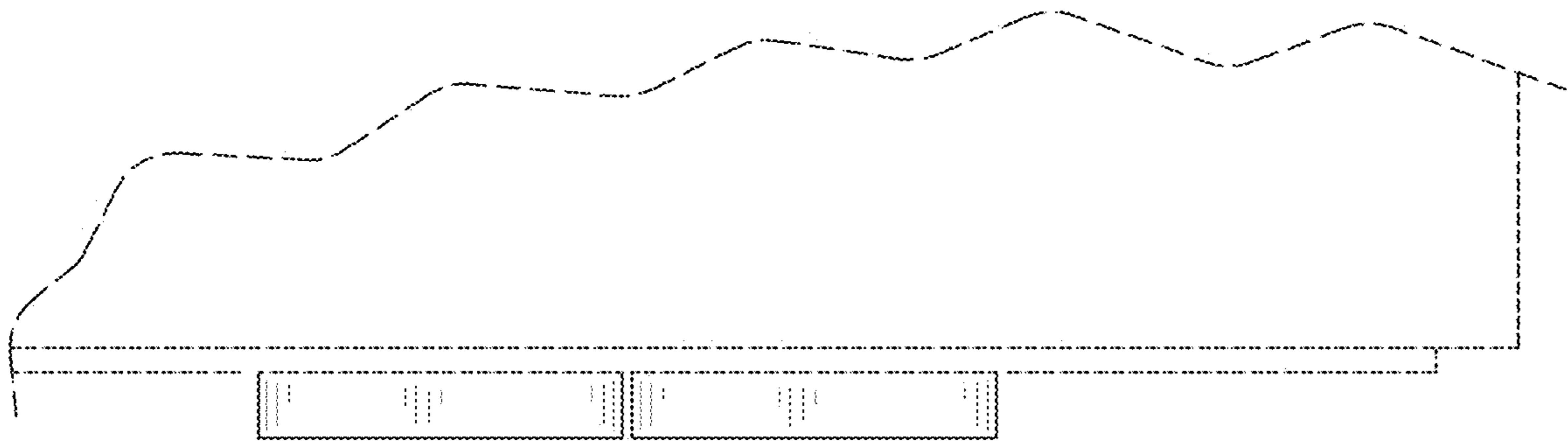


FIG. 3

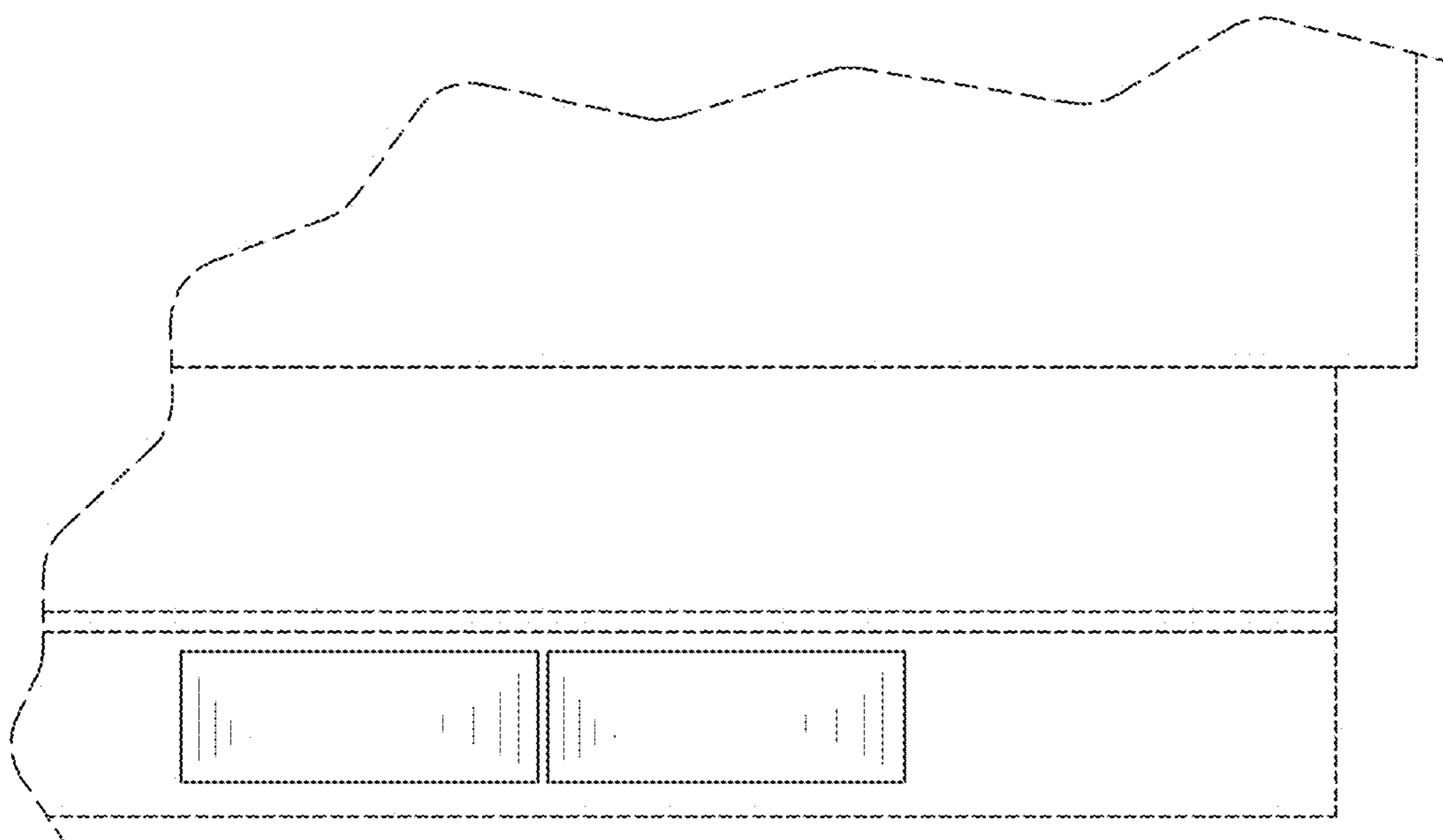


FIG. 4

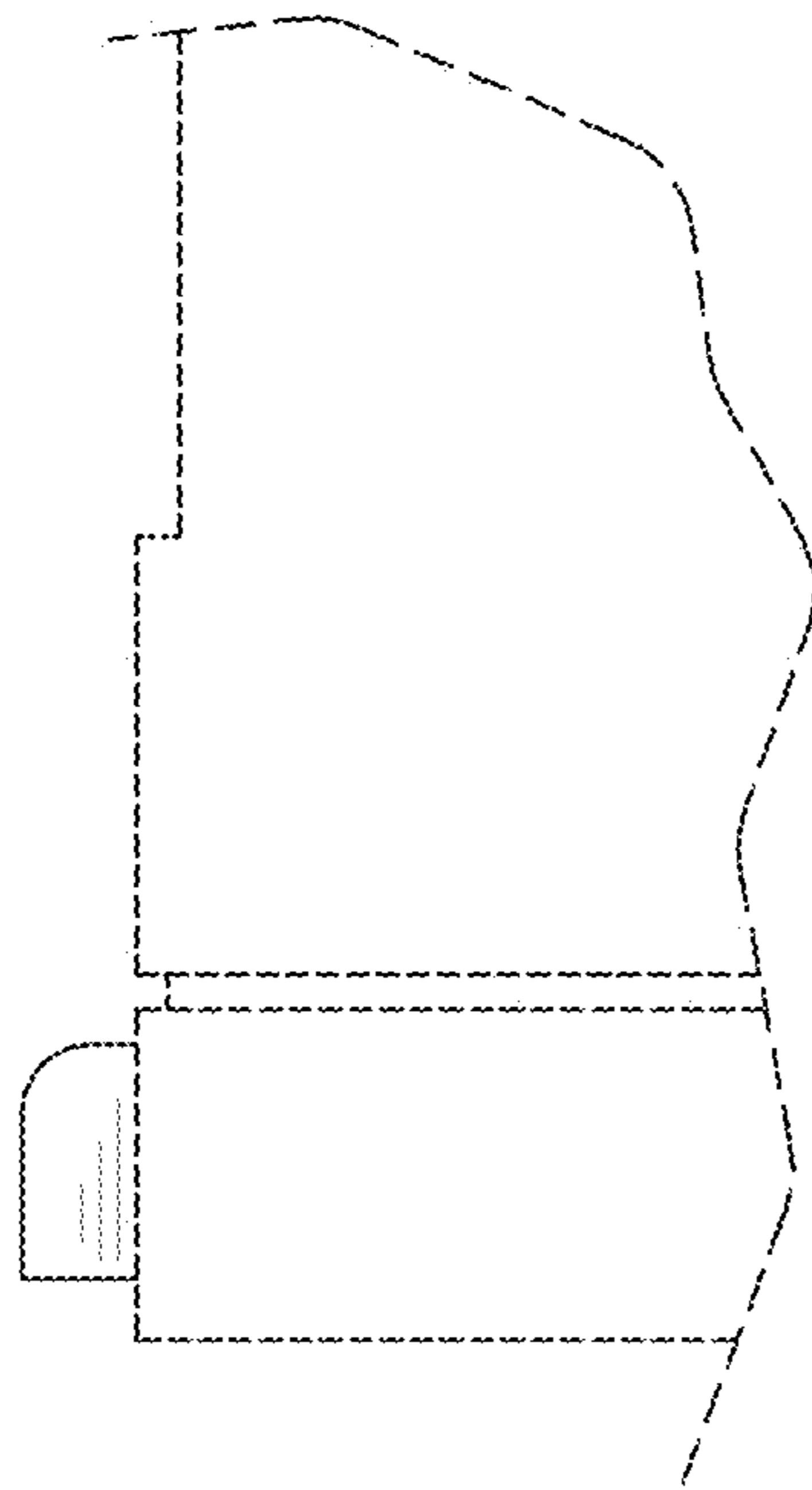


FIG. 5

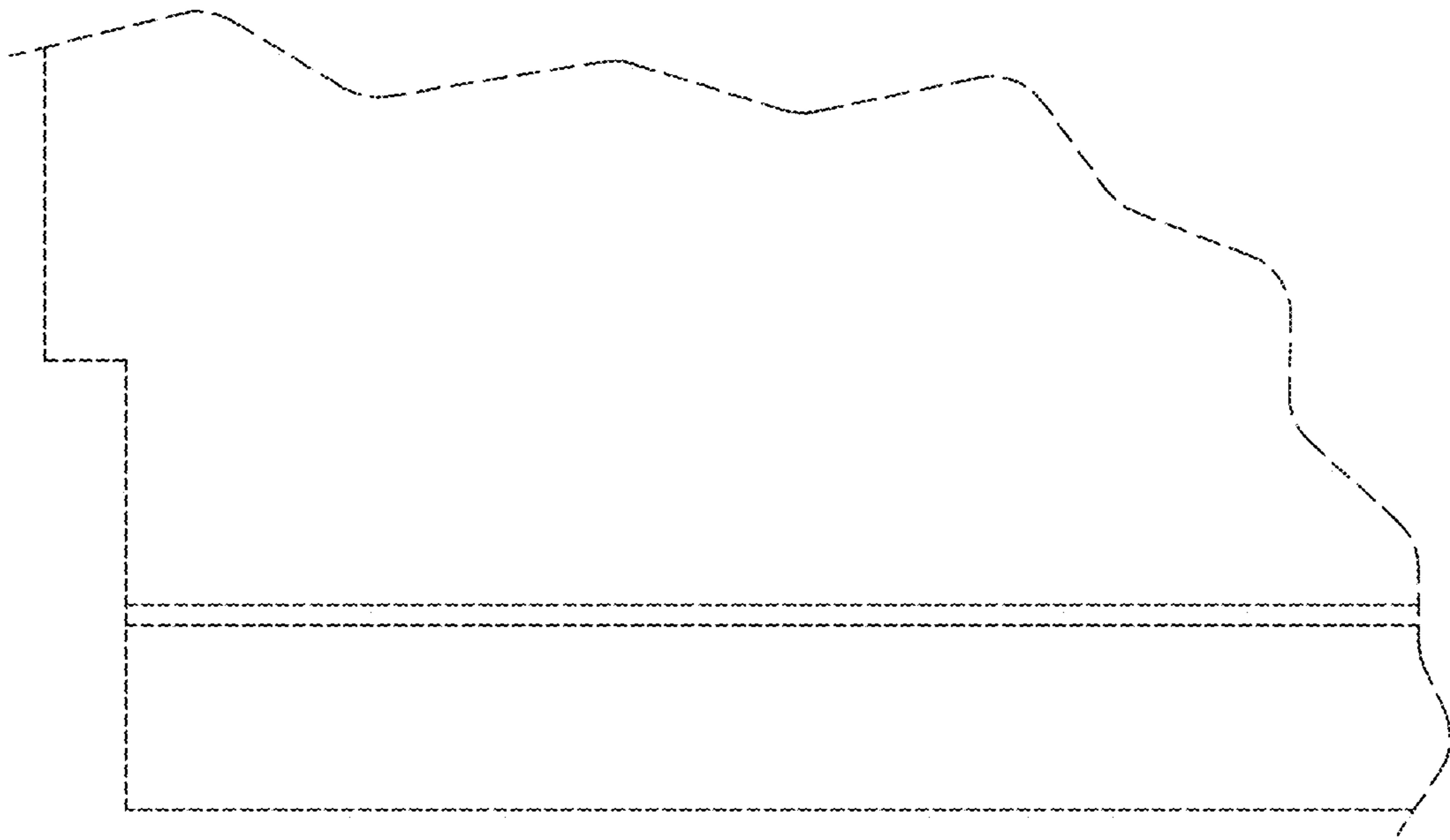


FIG. 6

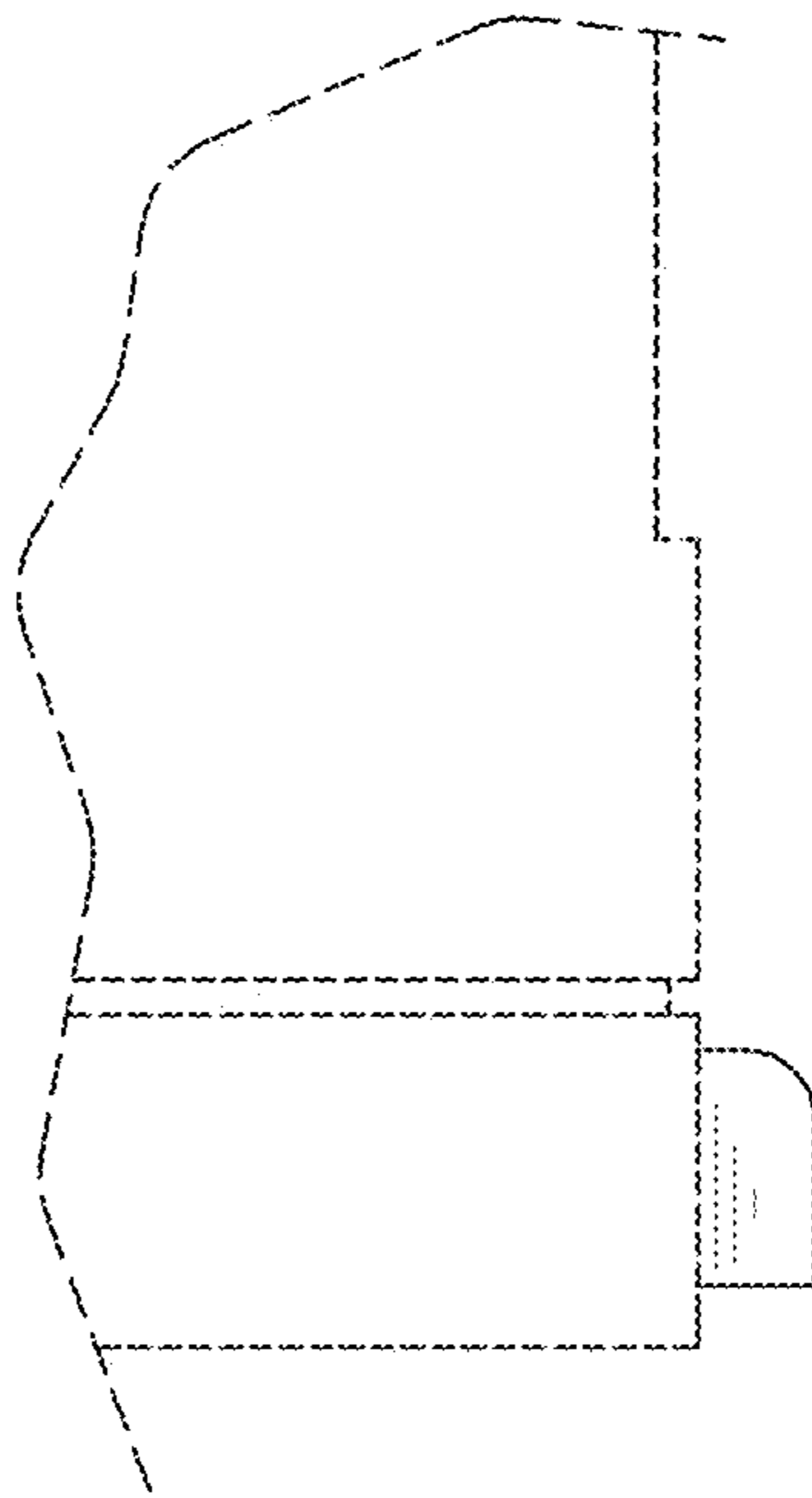


FIG. 7

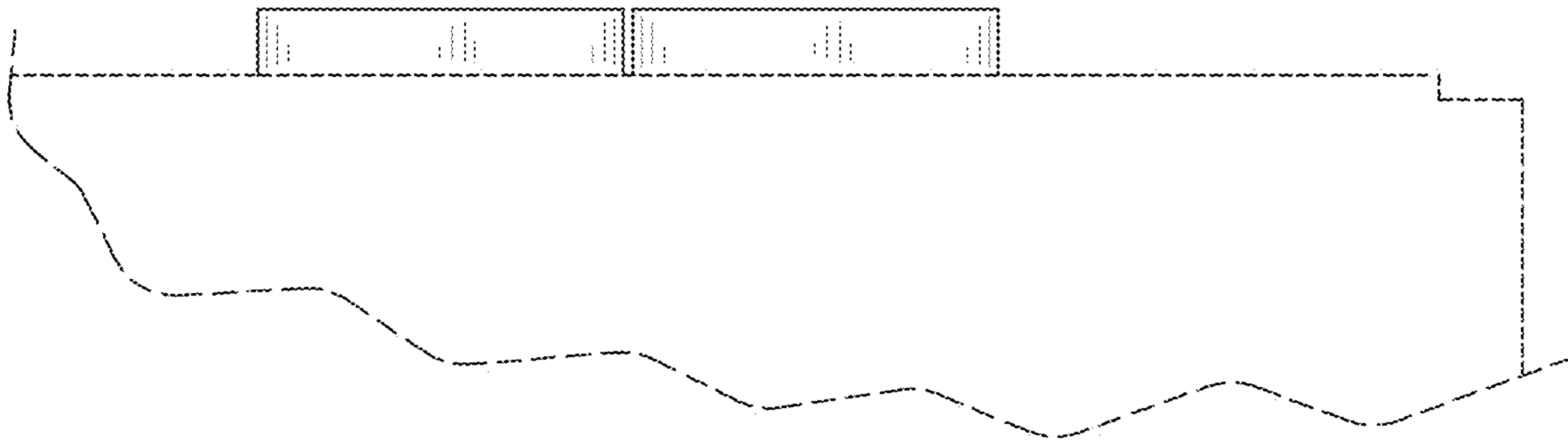


FIG. 8