



US00D980041S

(12) **United States Design Patent**
Xu

(10) **Patent No.:** **US D980,041 S**
(45) **Date of Patent:** **** Mar. 7, 2023**

(54) **HOOD LATCH FOR JEEP WRANGLER**

(71) Applicant: **SEVEN SPARTA CORP.**, Richardson,
TX (US)

(72) Inventor: **Wei Xu**, Guangdong (CN)

(73) Assignee: **SEVEN SPARTA CORP.**

(**) Term: **15 Years**

(21) Appl. No.: **29/854,691**

(22) Filed: **Sep. 27, 2022**

(51) **LOC (14) Cl.** **08-07**

(52) **U.S. Cl.**
USPC **D8/331**

(58) **Field of Classification Search**
USPC D8/331
CPC E05B 83/24; E05B 83/18; Y10T 29/49826;
Y10T 70/5903
See application file for complete search history.

(56) **References Cited**

U.S. PATENT DOCUMENTS

D487,560 S * 3/2004 Magnusson D8/331
D569,707 S * 5/2008 Antkowiak D8/331

D692,290 S 10/2013 Stanesic
9,187,936 B2 * 11/2015 Kim E05B 83/24
10,145,154 B2 * 12/2018 Ferri E05B 83/24
10,458,155 B2 * 10/2019 Yu E05B 77/08
10,508,479 B2 * 12/2019 Hwang E05B 83/24
D900,588 S 11/2020 Rolfs

* cited by examiner

Primary Examiner — Doris Clark

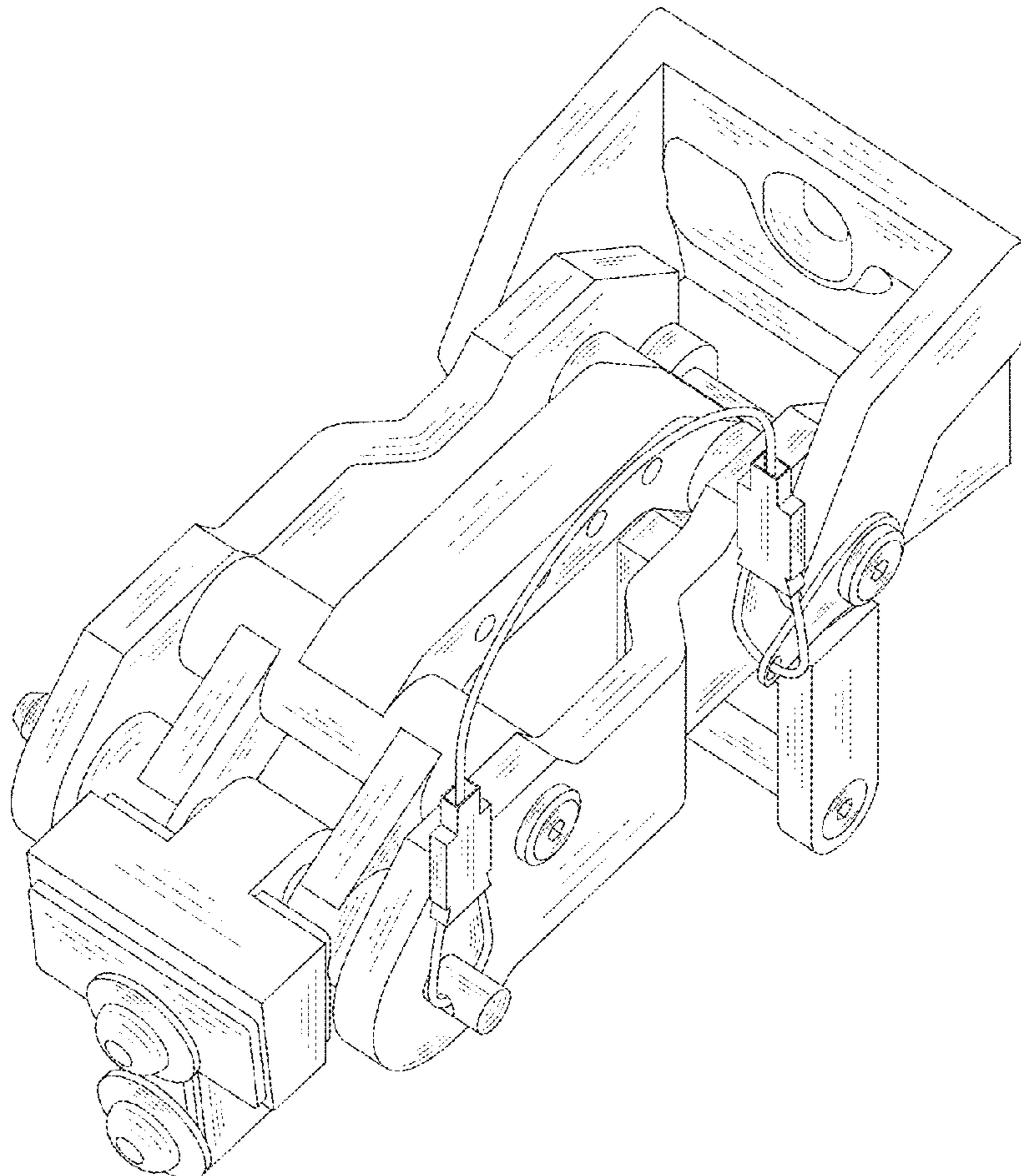
(57) **CLAIM**

The ornamental design for a hood latch for Jeep Wrangler,
as shown and described.

DESCRIPTION

FIG. 1 is a top, front and right side perspective view of a
hood latch for Jeep Wrangler, showing my new design;
FIG. 2 is a bottom, back and left side perspective view
thereof;
FIG. 3 is a top plan view thereof;
FIG. 4 is a bottom plan view thereof;
FIG. 5 is a left side elevational view thereof;
FIG. 6 is a right side elevational view thereof;
FIG. 7 is a back elevational view thereof; and,
FIG. 8 is a front elevational view thereof.

1 Claim, 8 Drawing Sheets



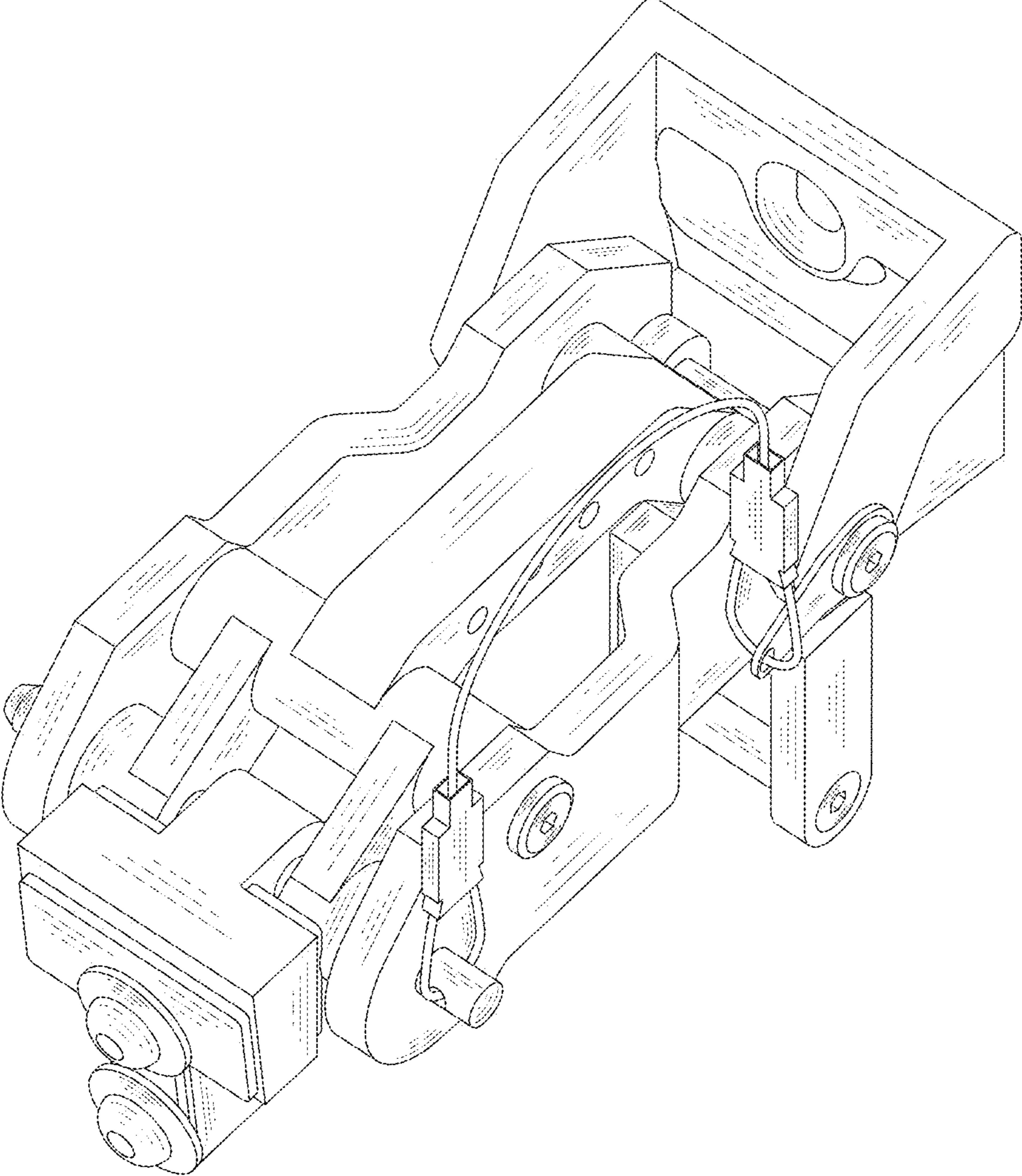


FIG. 1

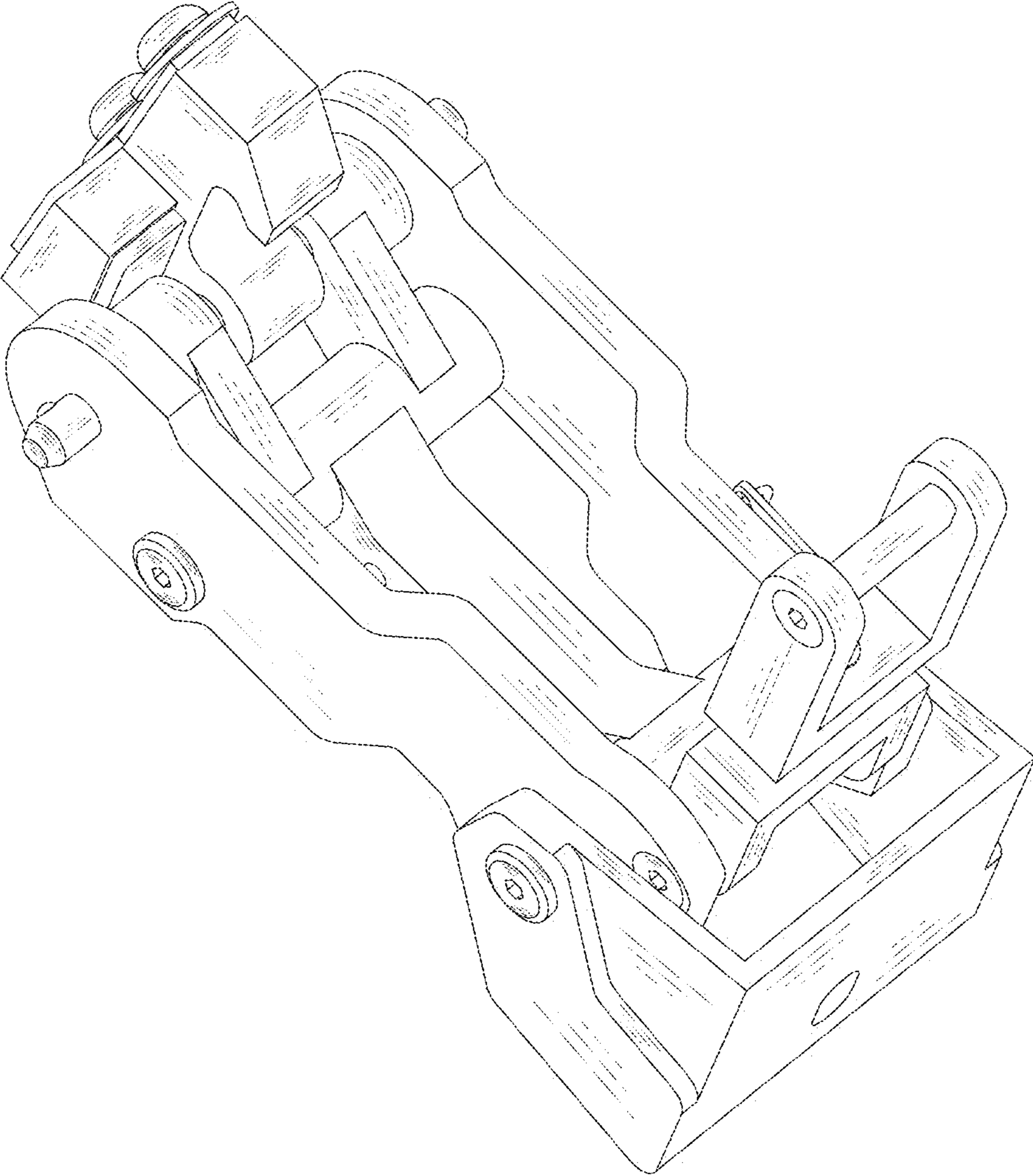


FIG. 2

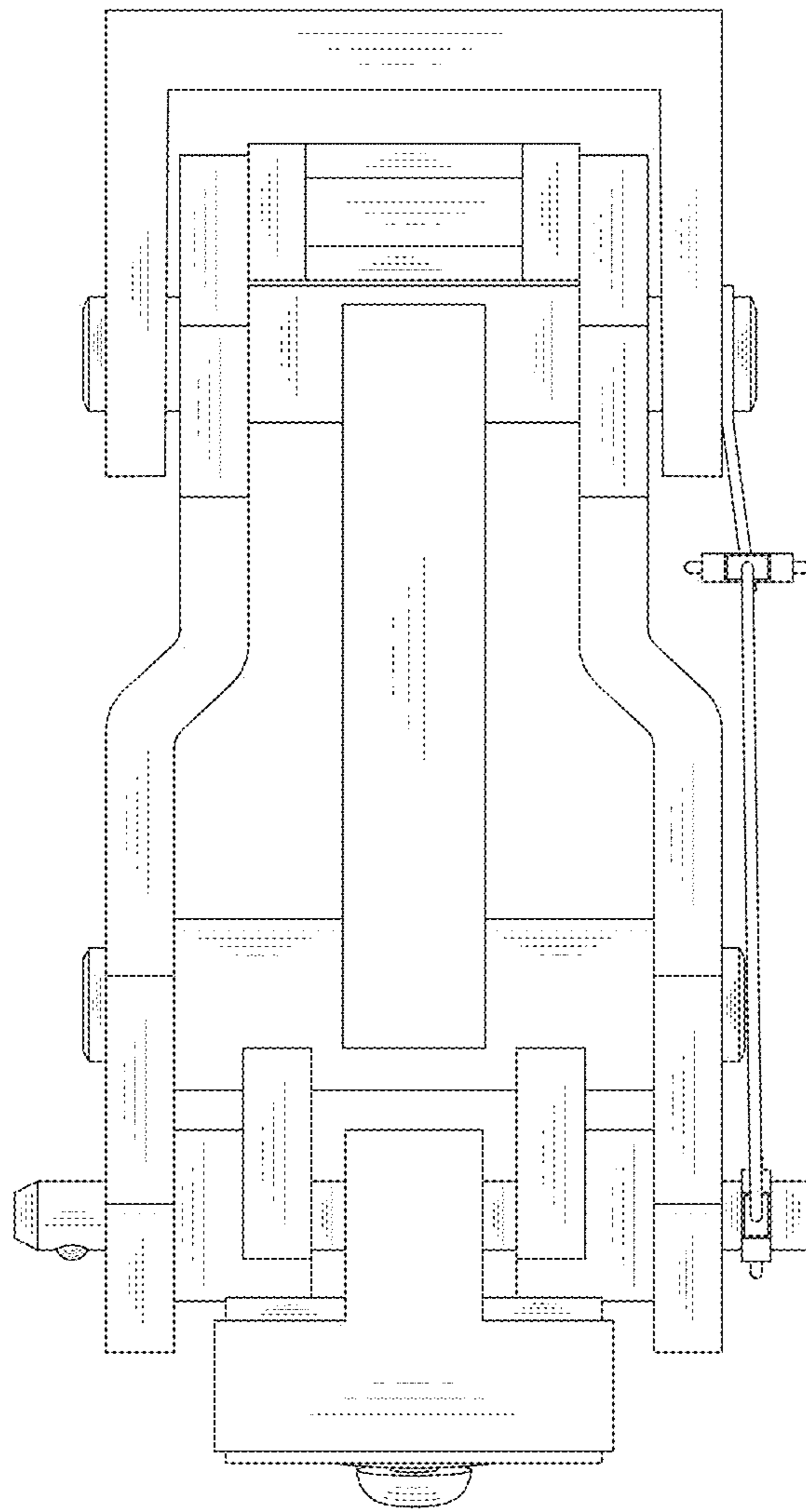


FIG. 3

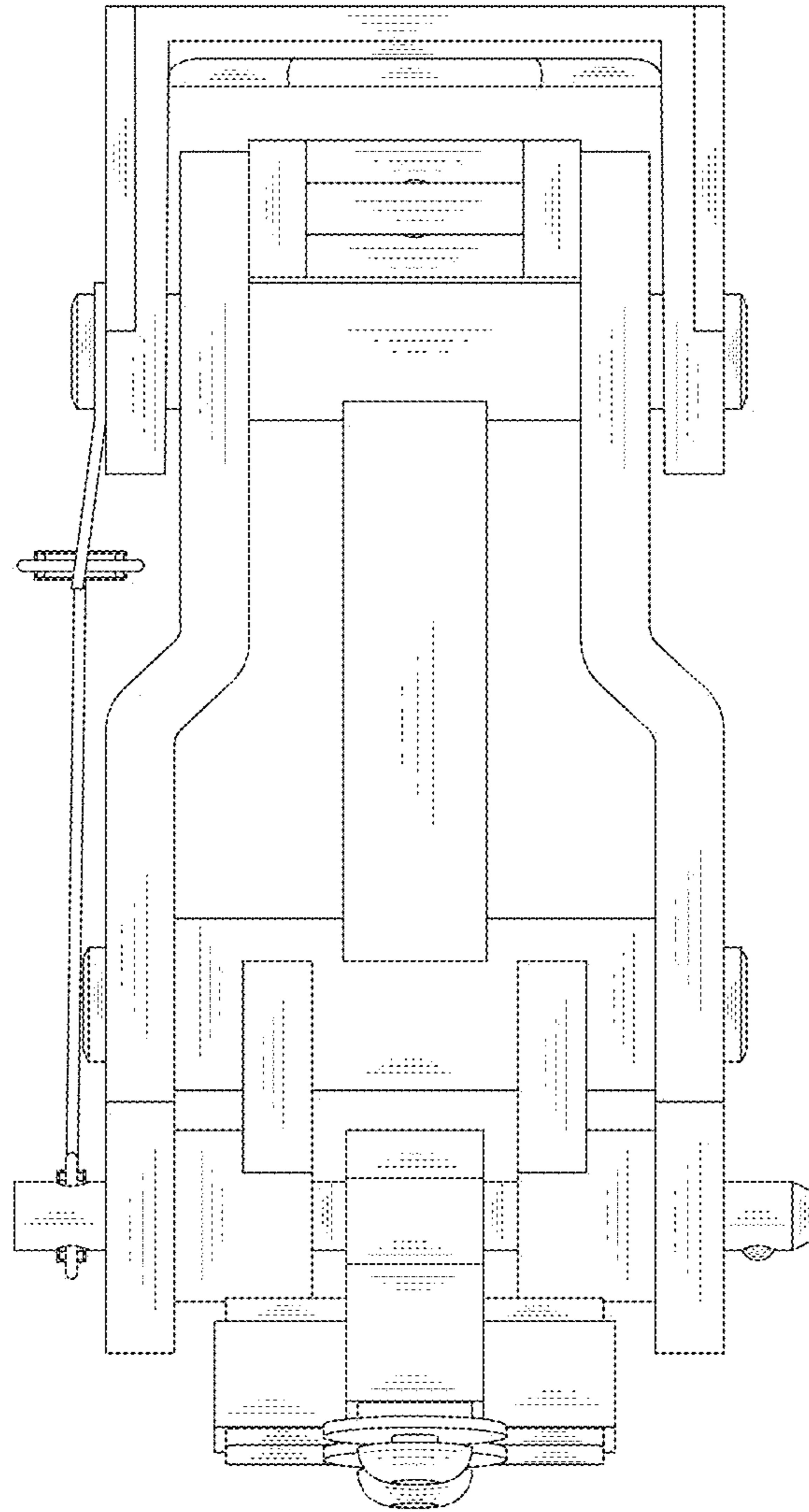


FIG. 4

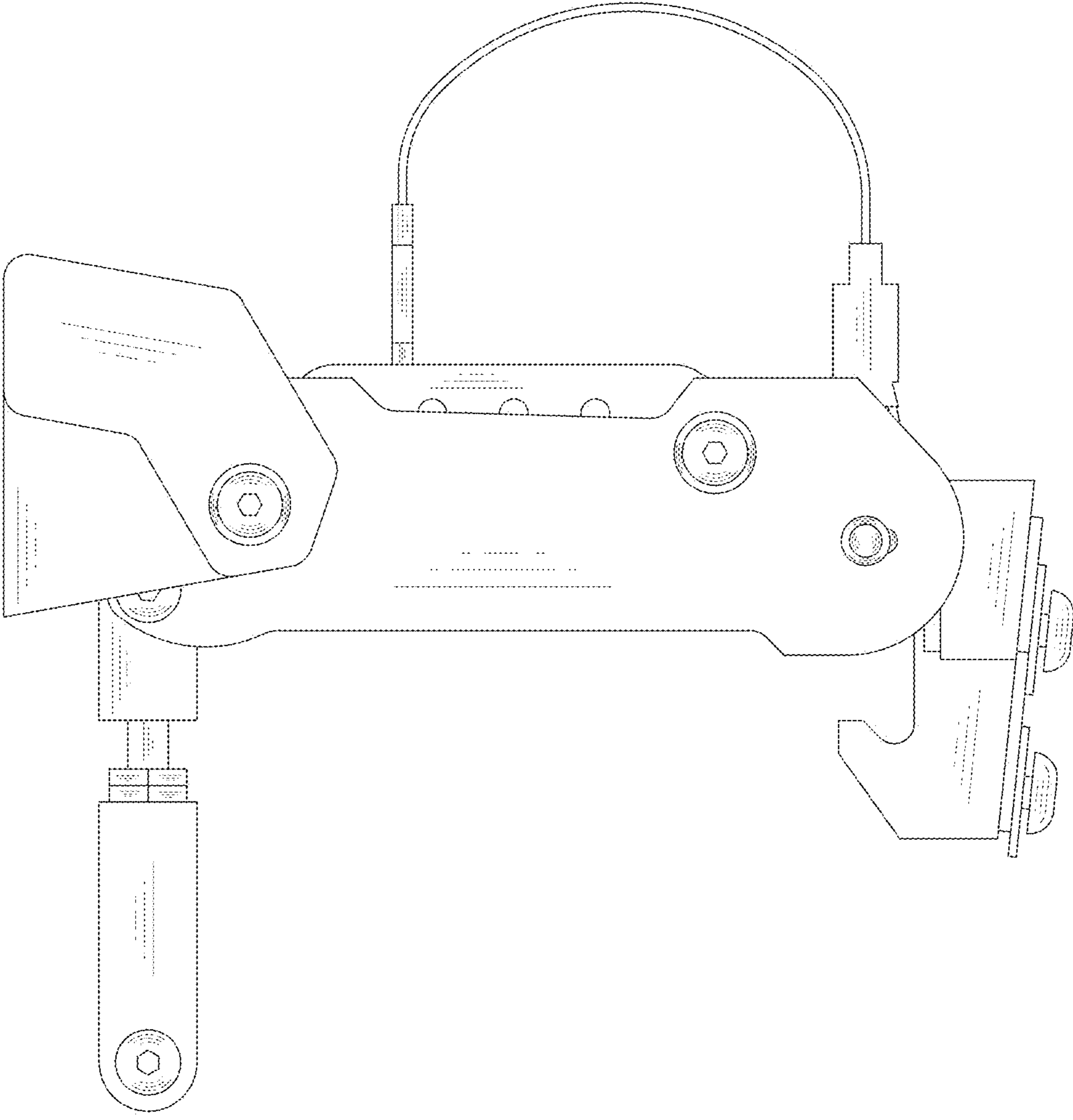


FIG. 5

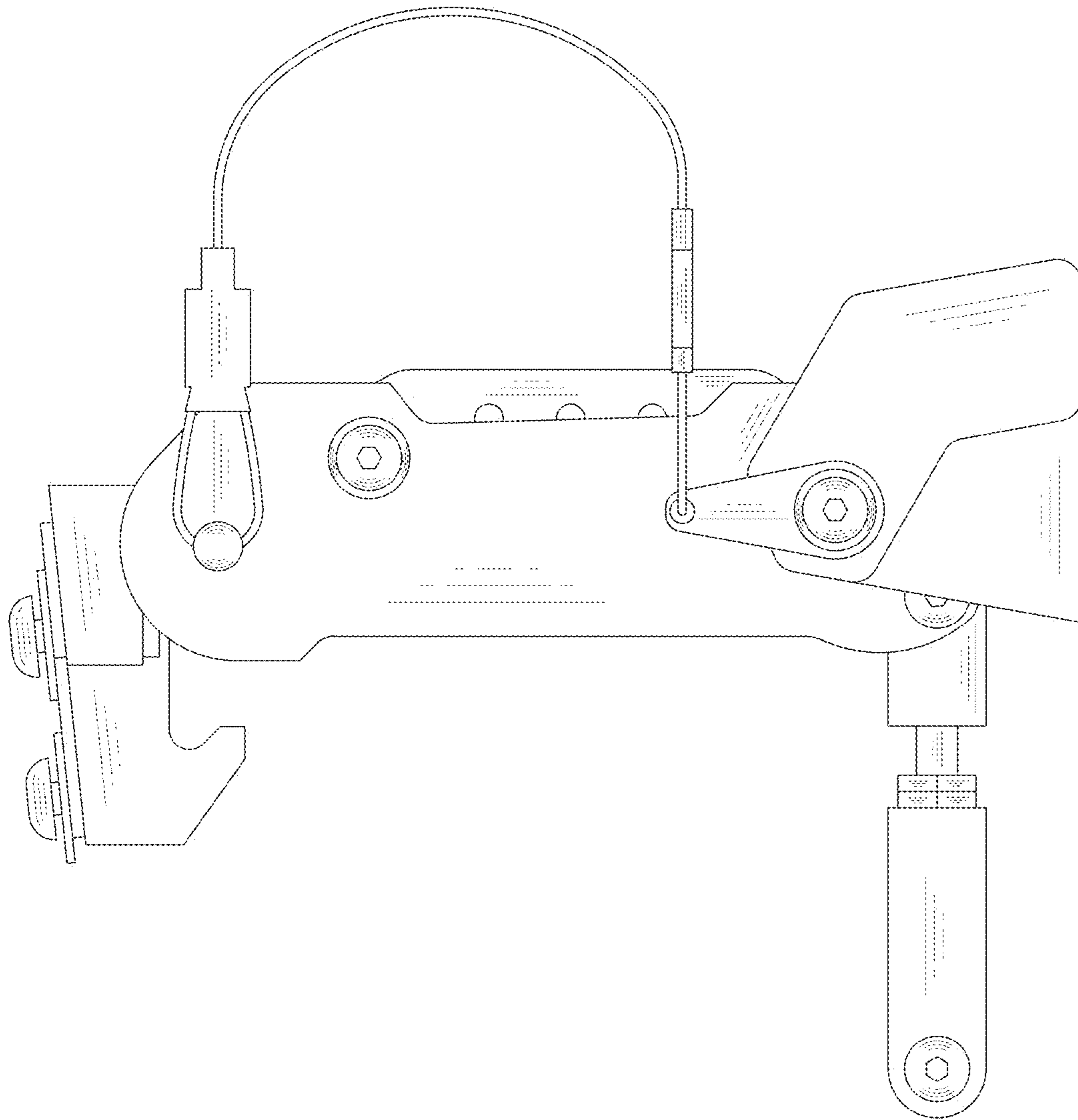


FIG. 6

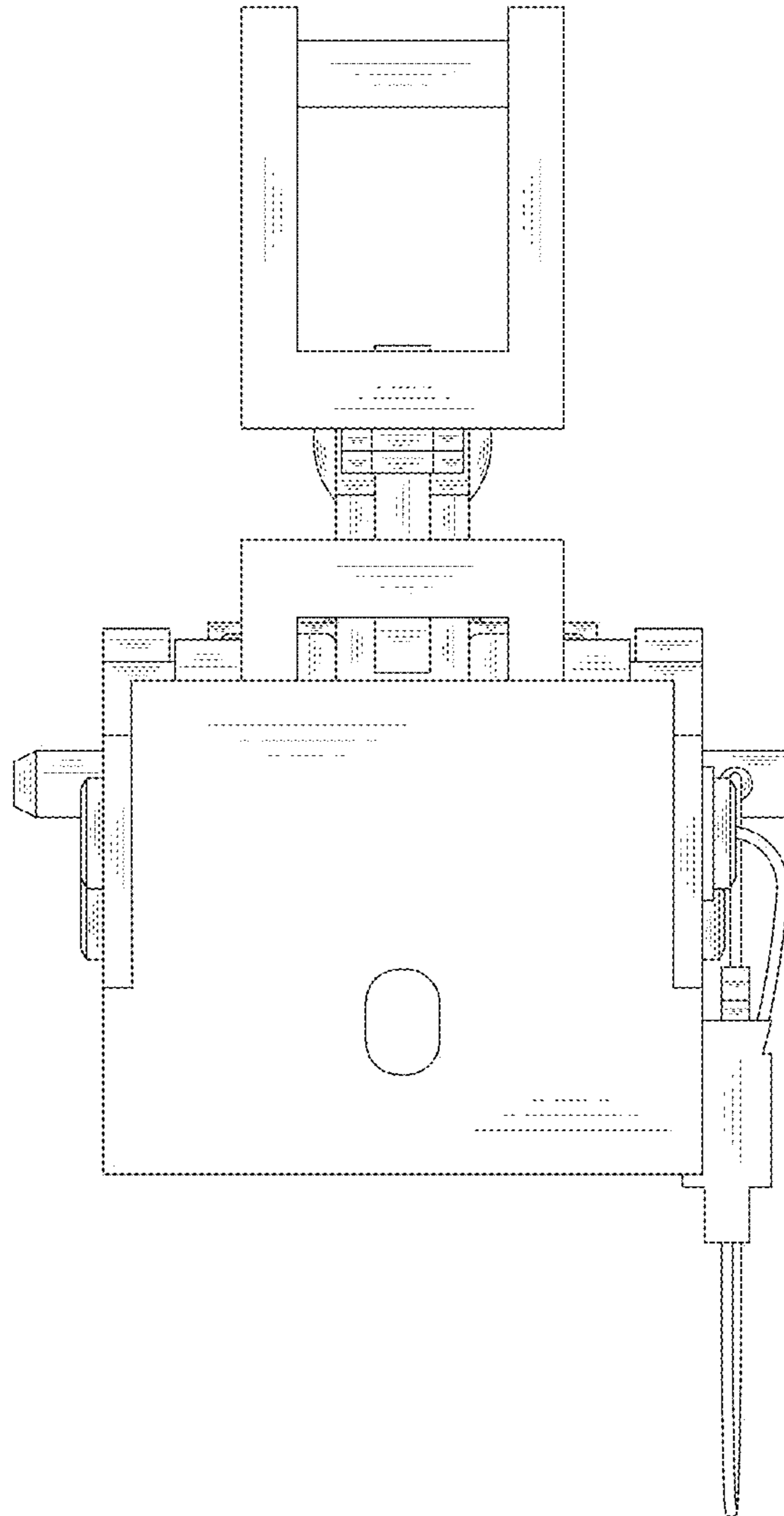


FIG. 7

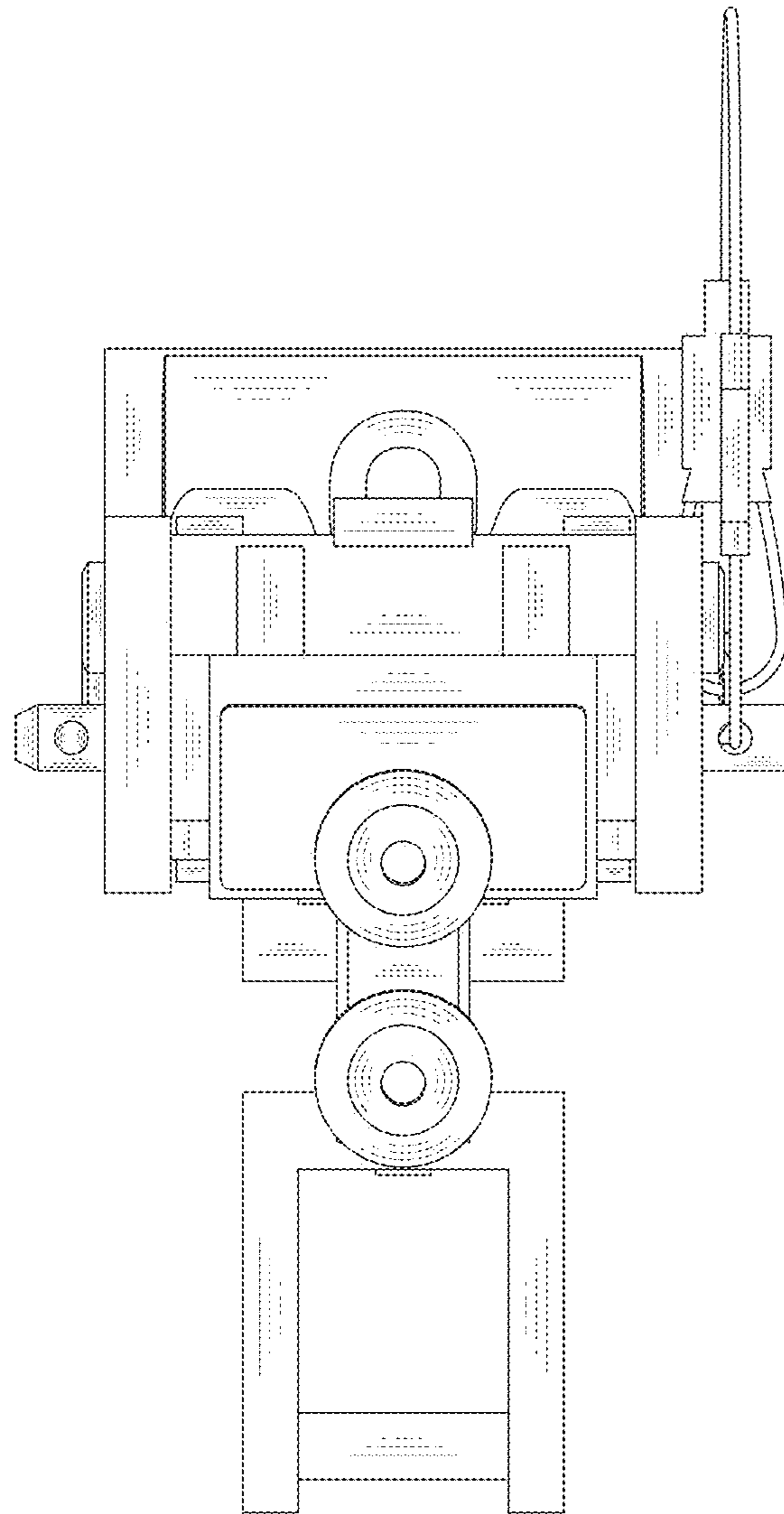


FIG. 8