



US00D980040S

(12) **United States Design Patent**
Lovejoy et al.

(10) **Patent No.: US D980,040 S**

(45) **Date of Patent: ** Mar. 7, 2023**

(54) **DOOR LOCK**

E05B 85/12; E05B 85/10; E05B 7/00;
E05B 1/0053; E05B 77/265

(71) Applicant: **ASSA ABLOY Residential Group, Inc.**, New Haven, CT (US)

See application file for complete search history.

(72) Inventors: **Garrett Lovejoy**, Raleigh, NC (US); **Tiffany Mayo**, Shelton, CT (US); **Vu Nguyen**, Farmington, CT (US); **Wai P. Wong**, Orange, CT (US); **Scott Henderson**, Brooklyn, NY (US)

(56) **References Cited**

U.S. PATENT DOCUMENTS

D766,067 S * 9/2016 Hyde D8/330
D768,463 S * 10/2016 Kraus D8/330
D790,950 S * 7/2017 Kraus D8/330

(Continued)

(73) Assignee: **ASSA ABLOY Residential Group, Inc.**, New Haven, CT (US)

OTHER PUBLICATIONS

(**) Term: **15 Years**

Revolvo Keyless Entry, posted Jun. 20, 2022 [online], [retrieved Nov. 10, 2022]. Retrieved from internet, <https://www.amazon.com/dp/B0B12FNG3C> (Year: 2022).*

(21) Appl. No.: **29/780,414**

(Continued)

(22) Filed: **Apr. 23, 2021**

(51) **LOC (14) Cl.** **08-07**

(52) **U.S. Cl.**

USPC **D8/331**; D8/330

(58) **Field of Classification Search**

USPC D8/300, 307, 308, 330, 331, 333, 336,
D8/338, 339, 343-346, 349, 354, 355,
D8/356, 367, 382

CPC Y10T 74/20612; Y10T 74/20732; Y10T
16/458; Y10T 16/498; Y10T 16/469;
Y10T 16/476; Y10T 74/20744; Y10T
74/20864; Y10T 16/4628; Y10T
74/20642; Y10T 16/473; Y10T 74/20762;
Y10T 74/2042; Y10T 74/20828; Y10T
16/4713; Y10T 74/2014; Y10T 16/50;
Y10T 74/20438; Y10T 74/20582; Y10T
74/20738; Y10T 16/48; Y10T 74/20618;
Y10T 74/20684; Y10T 74/20624; Y10T
74/20468; Y10T 16/61; Y10T 16/4719;
Y10T 16/86; Y10S 16/30; Y10S 292/31;
Y10S 292/53; Y10S 816/12; Y10S
292/23; Y10S 292/27; Y10S 292/30;
Y10S 292/63; E05B 85/16; E05B 1/0015;
E05B 77/06; E05B 79/06; E05B 85/18;

Primary Examiner — David G Muller

Assistant Examiner — Christina Gabrielle Cosden

(74) *Attorney, Agent, or Firm* — Wolf, Greenfield & Sacks, P.C.

(57) **CLAIM**

The ornamental design for a door lock, as shown and described.

DESCRIPTION

FIG. 1 is a top, front, right side perspective view of a first embodiment of a door lock;

FIG. 2 is a left side elevation view of FIG. 1;

FIG. 3 is a right side elevation view of FIG. 1;

FIG. 4 is a front elevation view of FIG. 1;

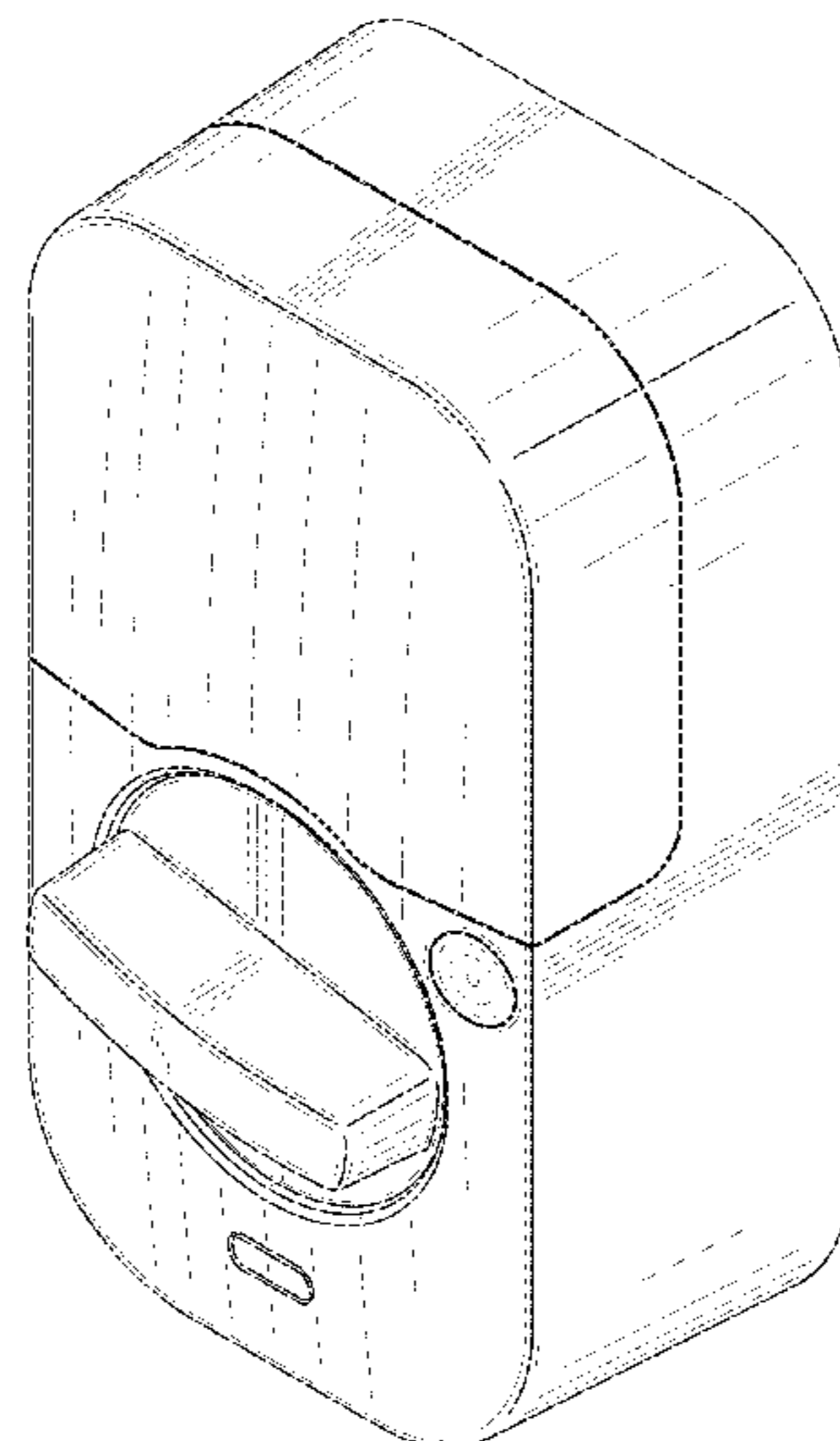
FIG. 5 is a rear elevation view of FIG. 1;

FIG. 6 is a top plan view of FIG. 1; and,

FIG. 7 is a bottom plan view of FIG. 1.

The dash-dash broken lines show portions of the interior housing for a door lock that form no part of the claimed design. The dot-dash broken lines represent boundaries of the claimed design and form no part of the claimed design.

1 Claim, 7 Drawing Sheets



(56)

References Cited

U.S. PATENT DOCUMENTS

D802,397 S * 11/2017 Schneider D8/331
D817,113 S * 5/2018 Wong D7/629
D888,537 S * 6/2020 Laurans D8/331
D896,614 S * 9/2020 Liao D8/331
D906,783 S * 1/2021 Jung D8/330

OTHER PUBLICATIONS

Yale Assure Lock, posted Aug. 12, 2022 [online], [retrieved Nov. 10, 2022]. Retrieved from internet, <https://www.amazon.com/Yale-Assure-Key-Free-Touchscreen-Wi-Fi/dp/B0B9HY3614?th=1> (Year: 2022).*

U.S. Appl. No. 29/780,411, filed Apr. 23, 2021, Lovejoy et al..

U.S. Appl. No. 29/780,396, filed Apr. 23, 2021, Lovejoy et al.

* cited by examiner

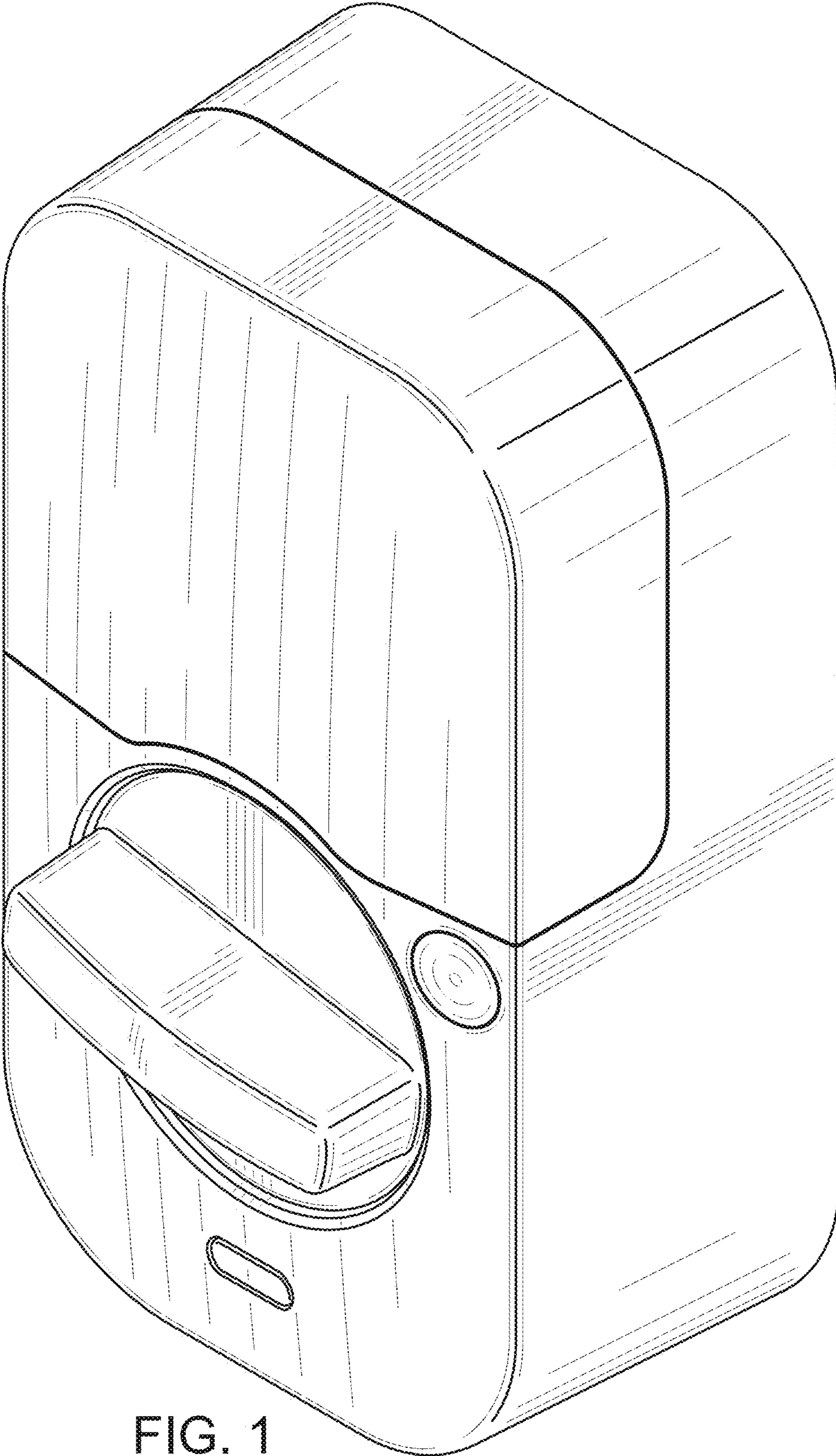


FIG. 1

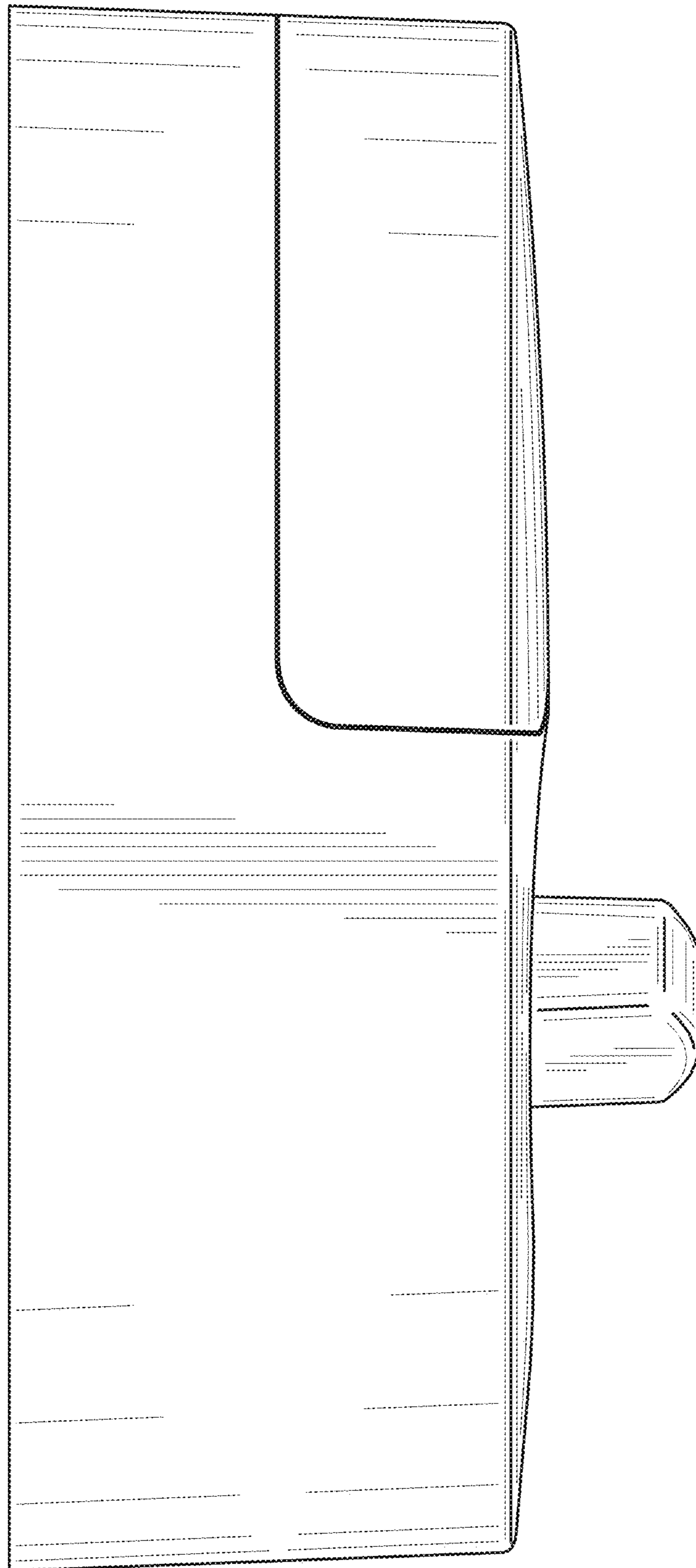


FIG. 2

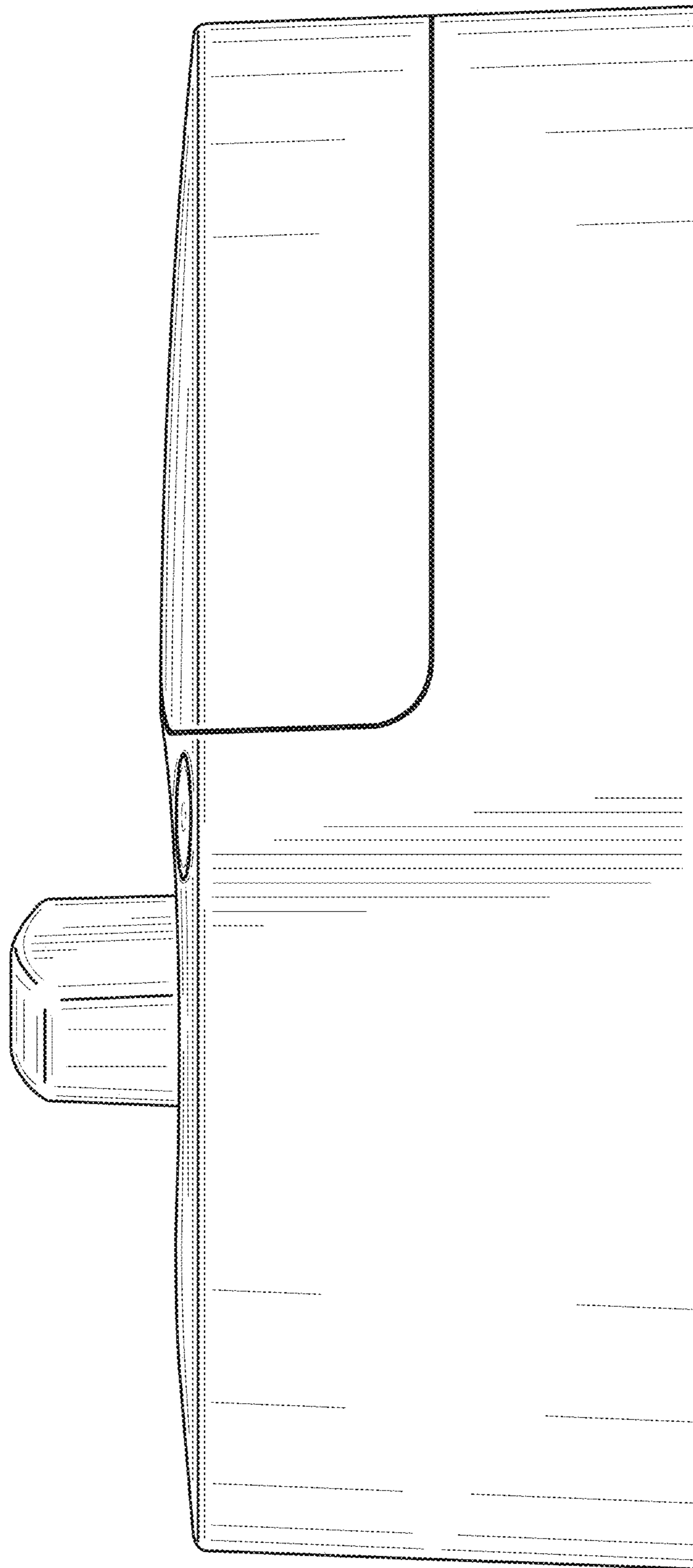


FIG. 3

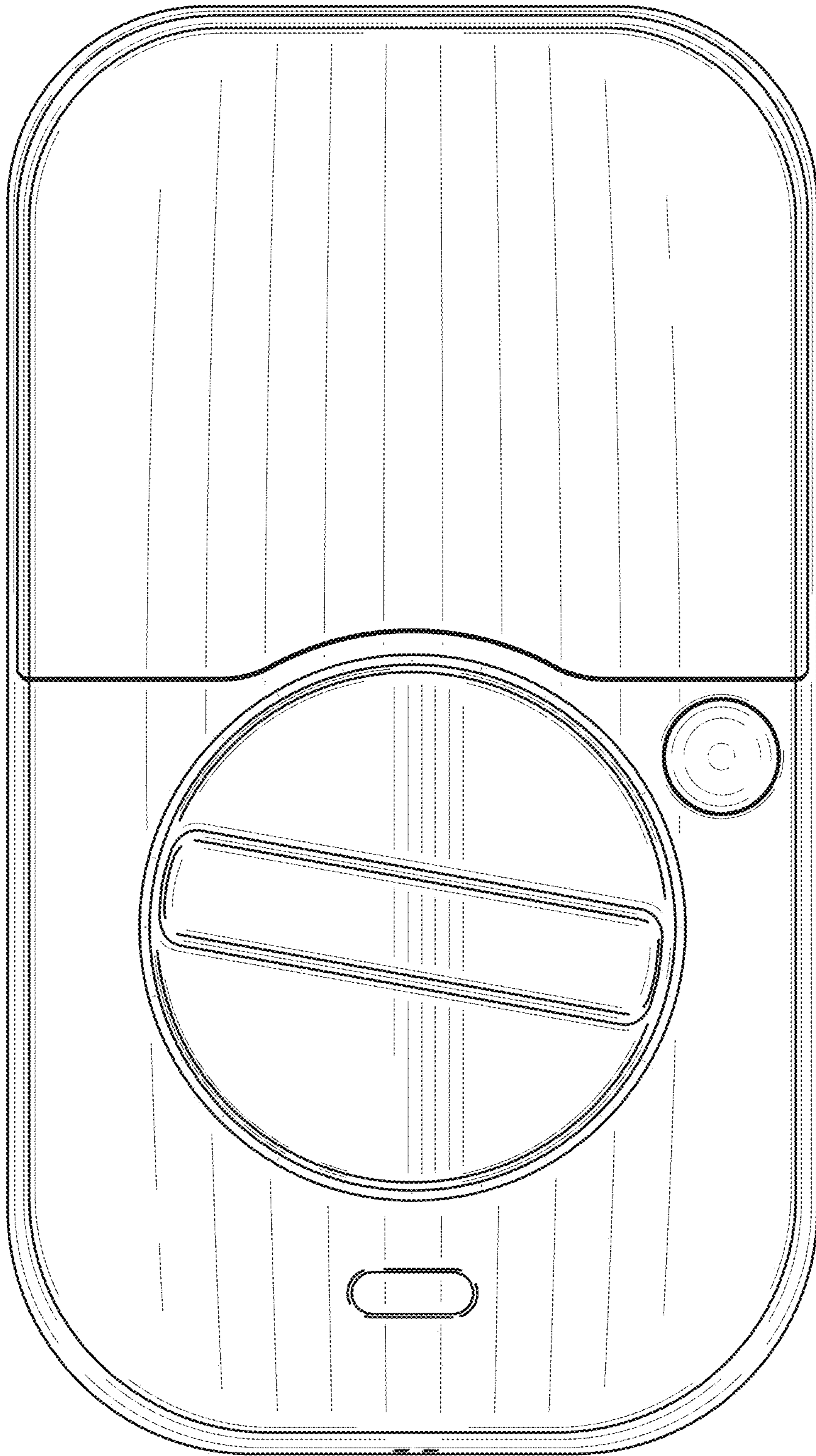


FIG. 4

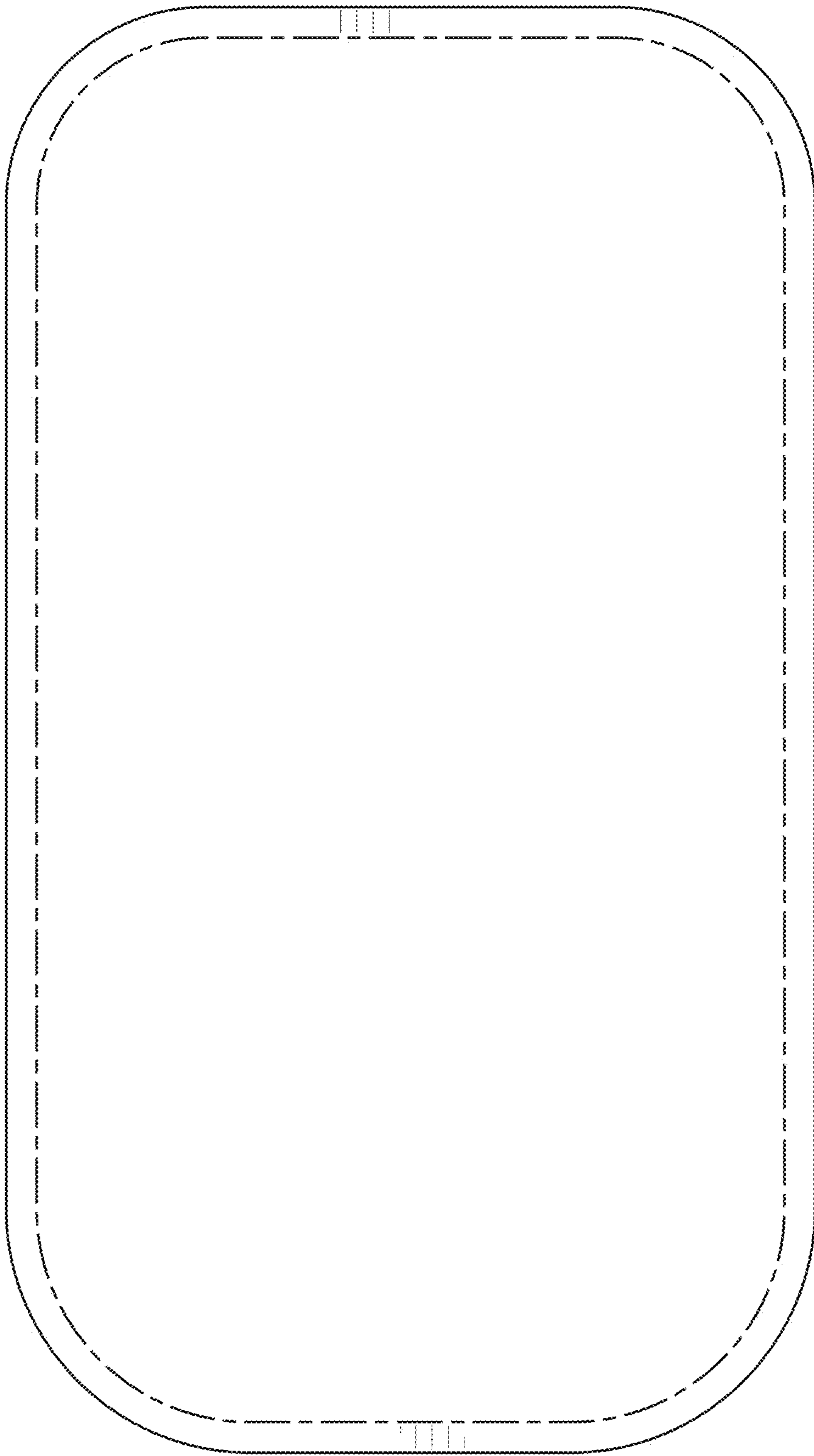


FIG. 5

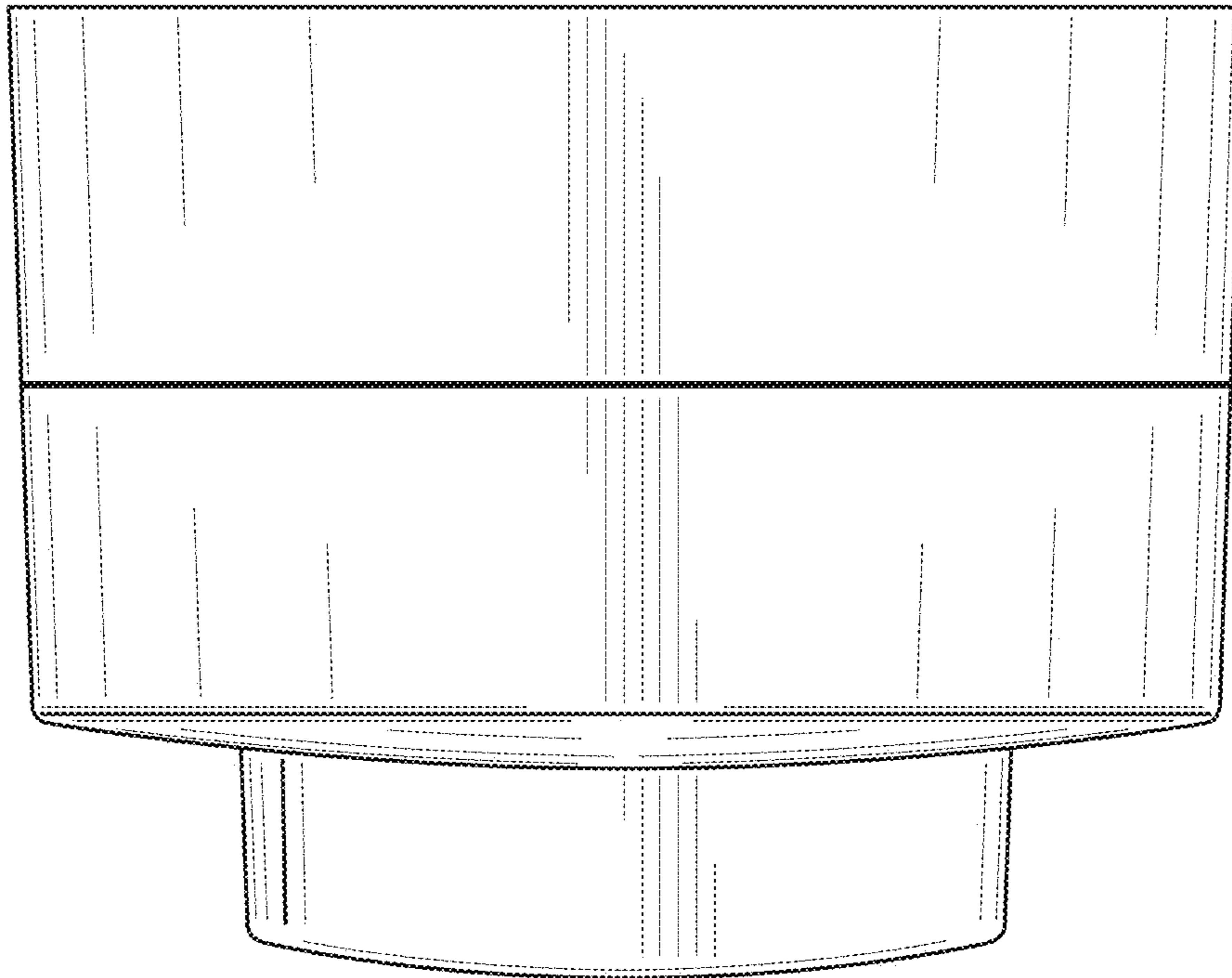


FIG. 6

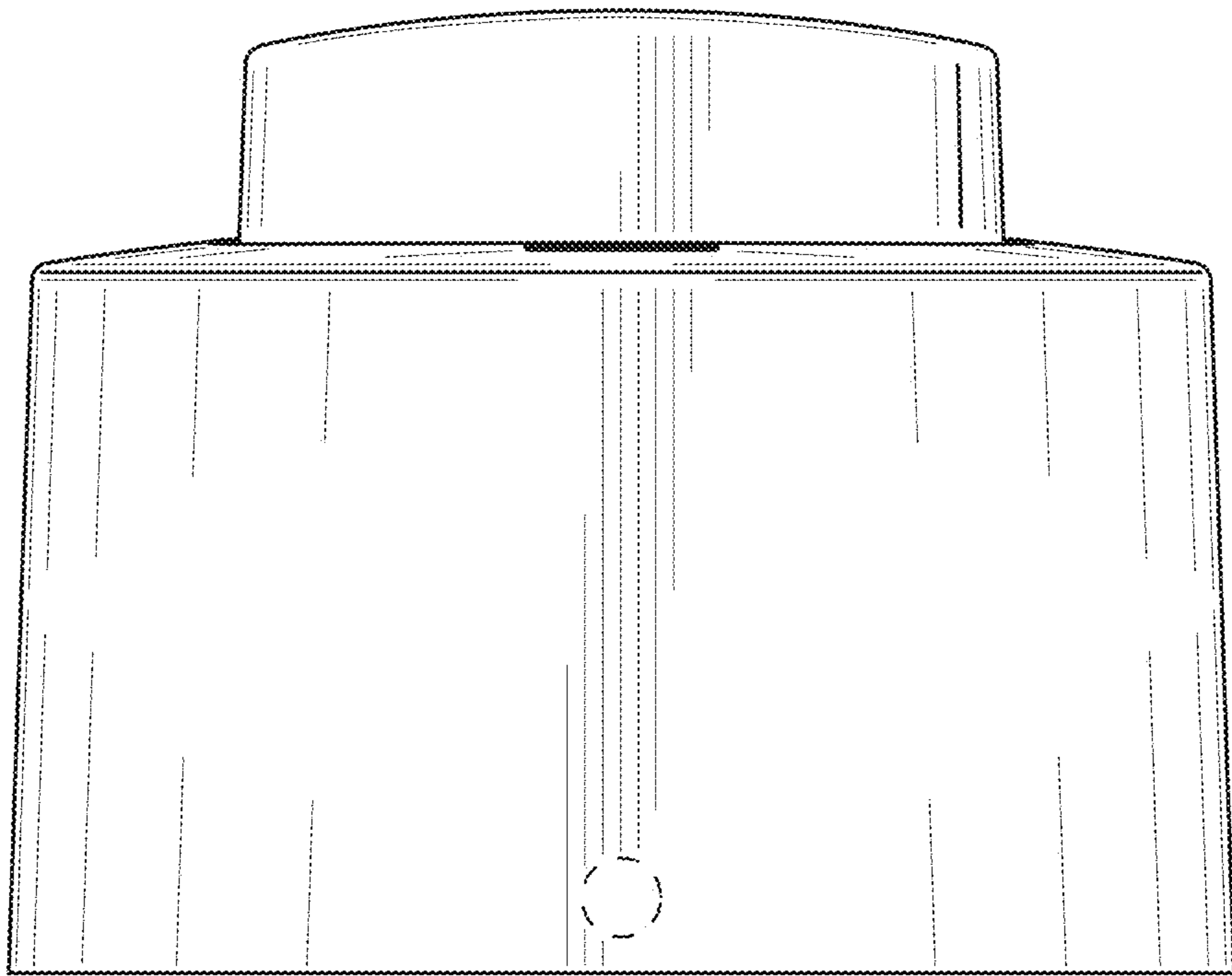


FIG. 7