



US00D980039S

(12) **United States Design Patent**  
**Hong**

(10) **Patent No.:** **US D980,039 S**  
(45) **Date of Patent:** **\*\* Mar. 7, 2023**

- (54) **CAR DECORATIVE DOOR HINGE**
- (71) Applicant: **Chushi Hong**, Shenzhen (CN)
- (72) Inventor: **Chushi Hong**, Shenzhen (CN)
- (\*) Notice: Patent file contains an affidavit/declaration under 37 CFR 1.130(b).
- (\*\*) Term: **15 Years**
- (21) Appl. No.: **29/836,306**
- (22) Filed: **Apr. 26, 2022**
- (51) **LOC (14) Cl.** ..... **08-06**
- (52) **U.S. Cl.**  
USPC ..... **D8/323**
- (58) **Field of Classification Search**  
USPC ..... D12/126, 181, 223, 400; D8/323-329  
CPC ..... E05D 5/12; E05D 11/0054; E05D 11/082;  
E05D 2011/0045; E05D 2011/0063;  
E05D 2011/0072; E05D 7/121  
See application file for complete search history.

D658,031 S *	4/2012	Mitchell	.....	D8/323
D719,009 S *	12/2014	Russo	.....	D8/328
D719,010 S *	12/2014	Russo	.....	D8/328
D719,011 S *	12/2014	Russo	.....	D8/328
D719,811 S *	12/2014	Cooper	.....	D8/328
D964,250 S *	9/2022	Voss	.....	D12/401

- (56) **References Cited**  
U.S. PATENT DOCUMENTS
- |              |         |             |       |         |
|--------------|---------|-------------|-------|---------|
| D183,130 S * | 7/1958  | Kalla       | ..... | D8/327  |
| D183,261 S * | 7/1958  | Mink        | ..... | D8/327  |
| D278,309 S * | 4/1985  | Vickers     | ..... | D8/327  |
| D395,590 S * | 6/1998  | Finkelstein | ..... | D8/323  |
| D401,134 S * | 11/1998 | Finkelstein | ..... | D8/329  |
| D627,690 S * | 11/2010 | Madden      | ..... | D12/126 |
| D645,725 S * | 9/2011  | Katz        | ..... | D8/323  |

**OTHER PUBLICATIONS**

E-cowlboy, Published May 19, 2021 [online], [retrieved on Oct. 12, 2022]. Retrieved from the Internet: <https://www.amazon.com/Accessories-Decoration-2018-2021-Unlimited-Gladiator/dp/B09H6Q3S5H> (Year: 2021).\*

\* cited by examiner

*Primary Examiner* — Cary M Robinson  
*Assistant Examiner* — Adam C Mager

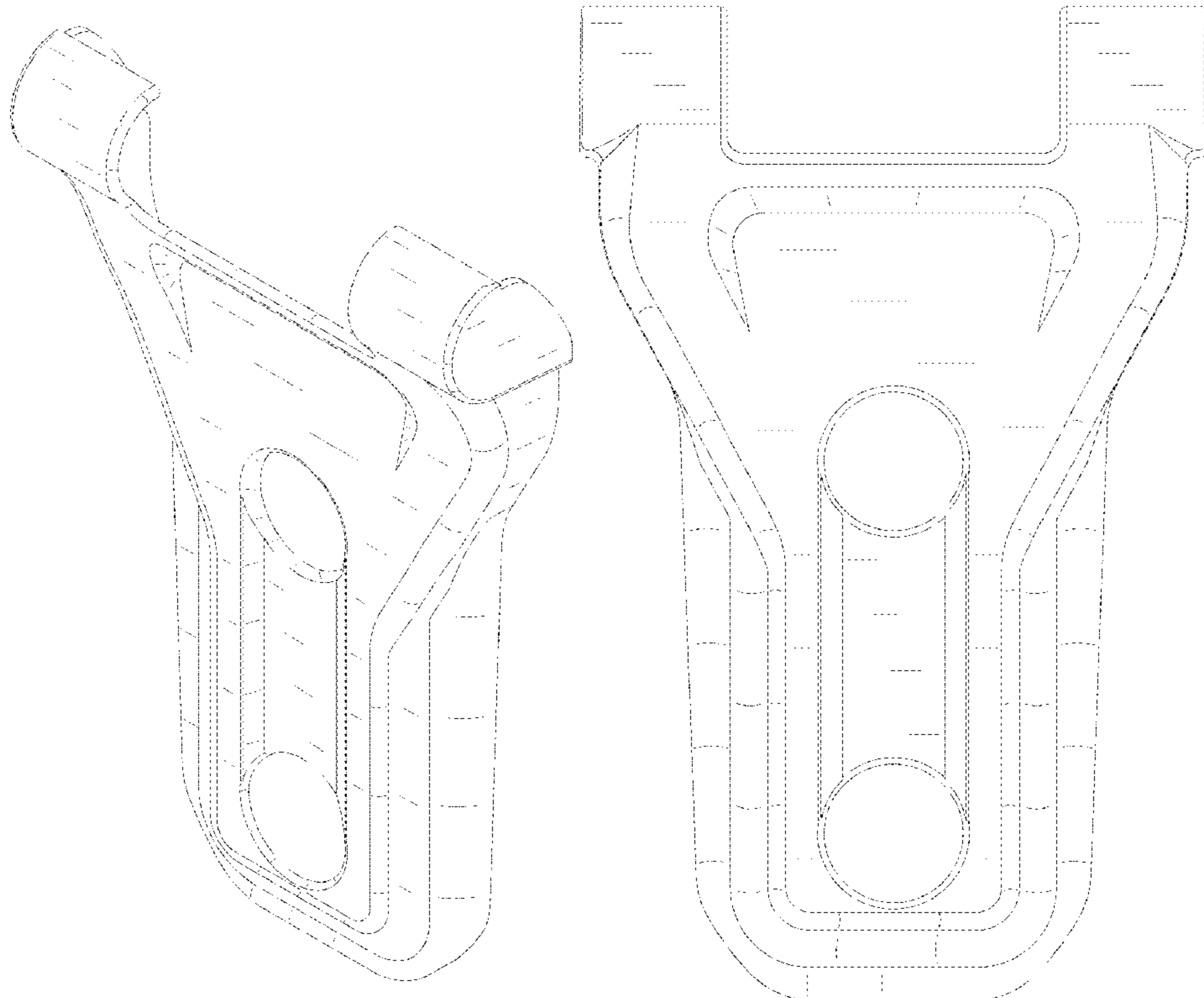
(57) **CLAIM**

The ornamental design for a car decorative door hinge, as shown and described.

**DESCRIPTION**

FIG. 1 is a front perspective view of a car decorative door hinge, showing my new design;  
FIG. 2 is a front view thereof;  
FIG. 3 is a rear view thereof;  
FIG. 4 is a right side view thereof;  
FIG. 5 is a left side view thereof;  
FIG. 6 is a bottom view thereof; and,  
FIG. 7 is a top view thereof.

**1 Claim, 7 Drawing Sheets**



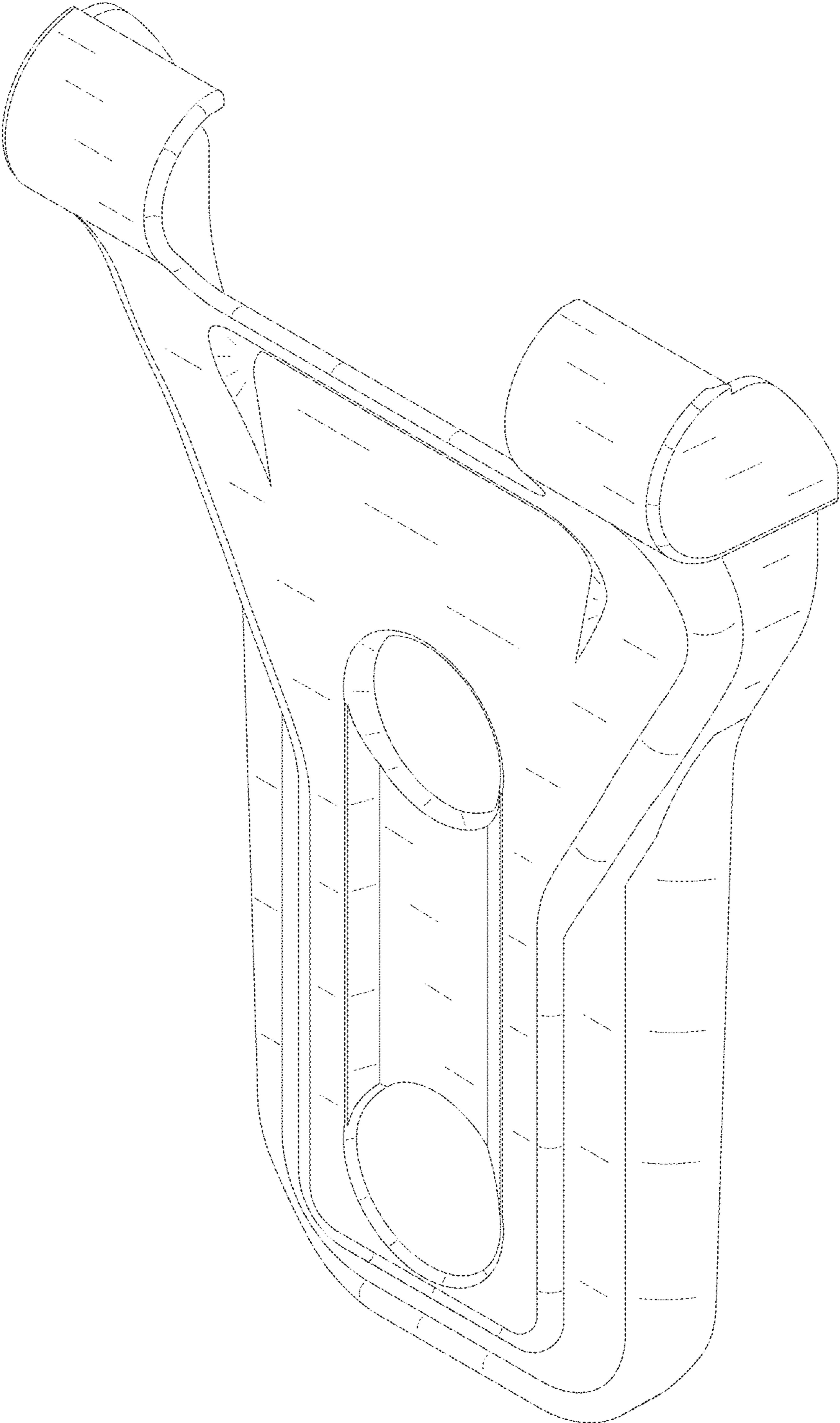


FIG. 1

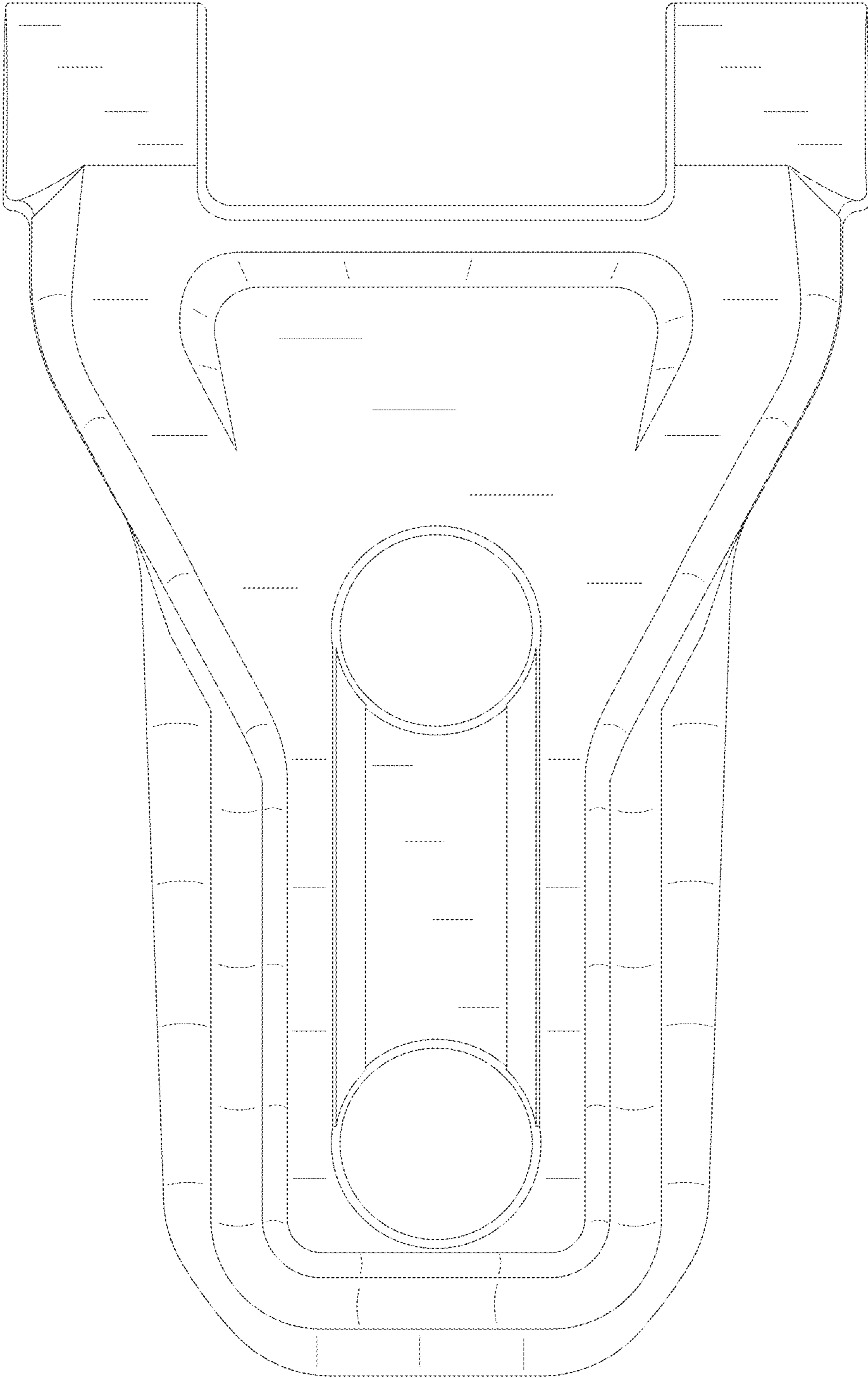


FIG. 2

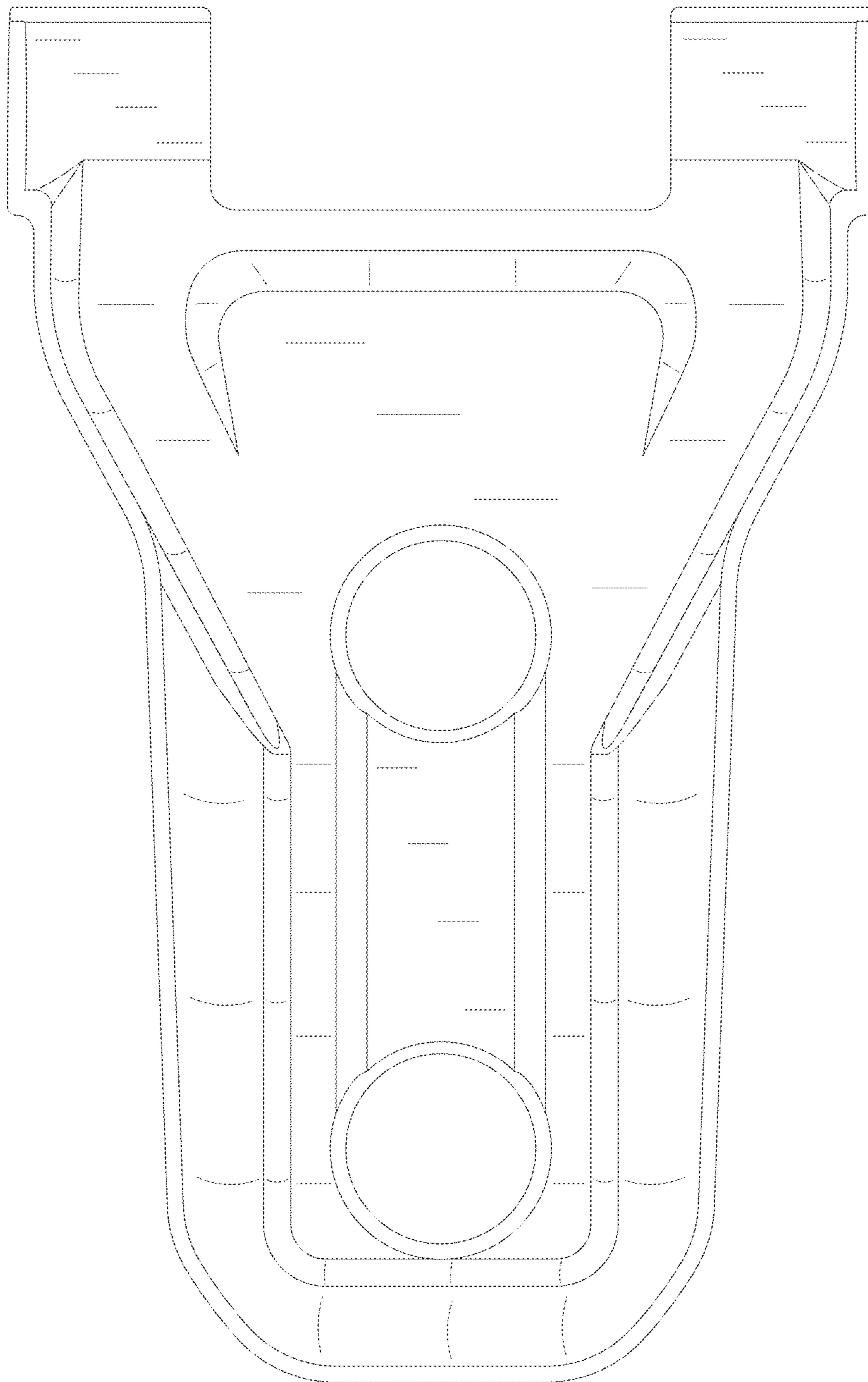


FIG. 3

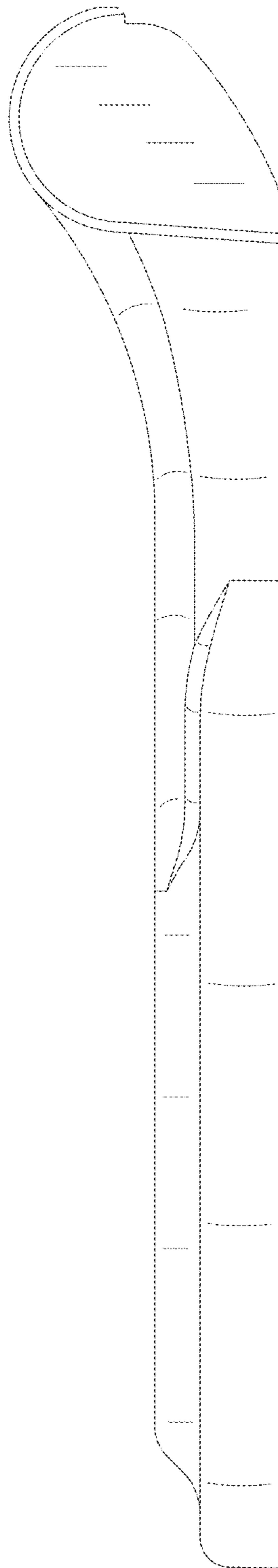


FIG. 4

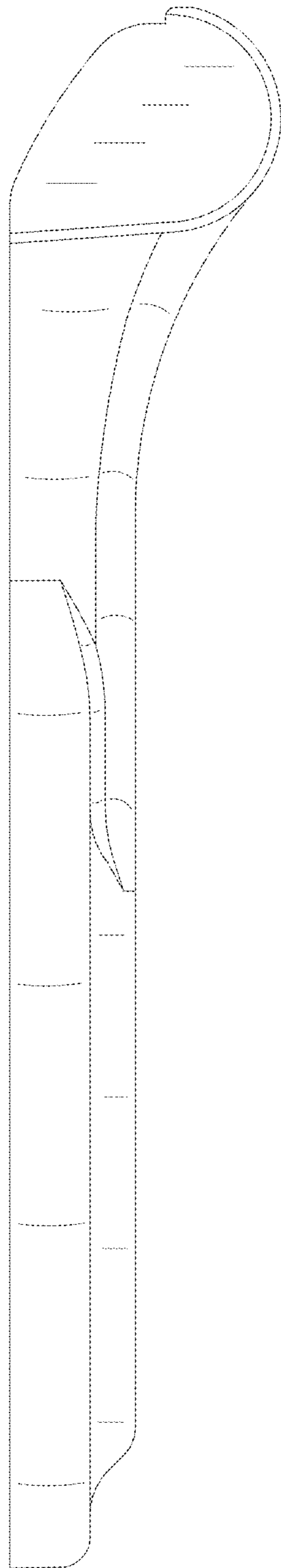


FIG. 5



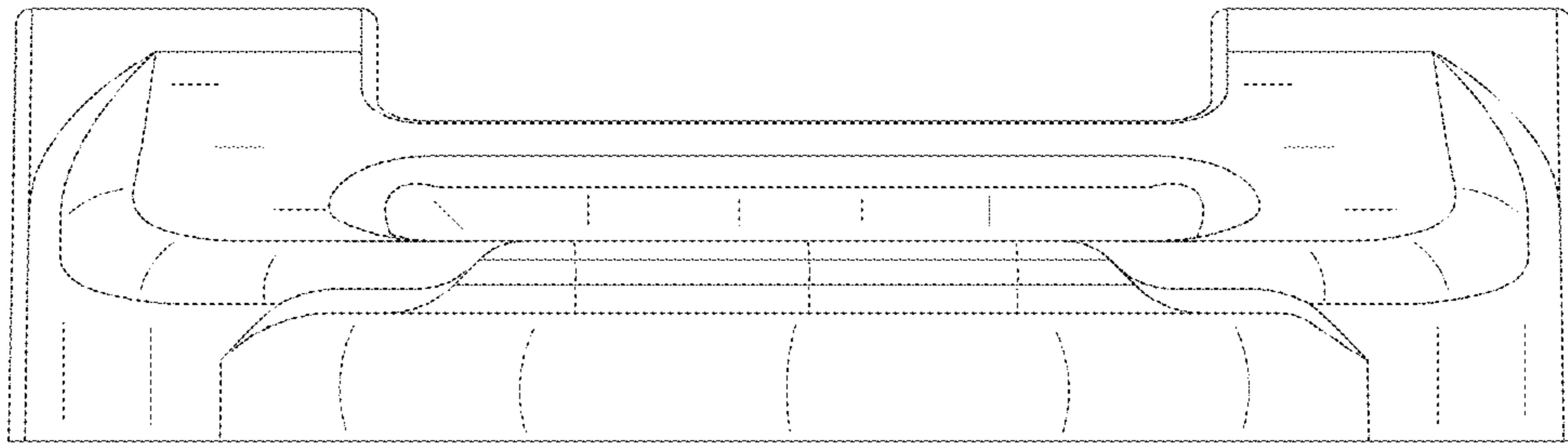


FIG. 6

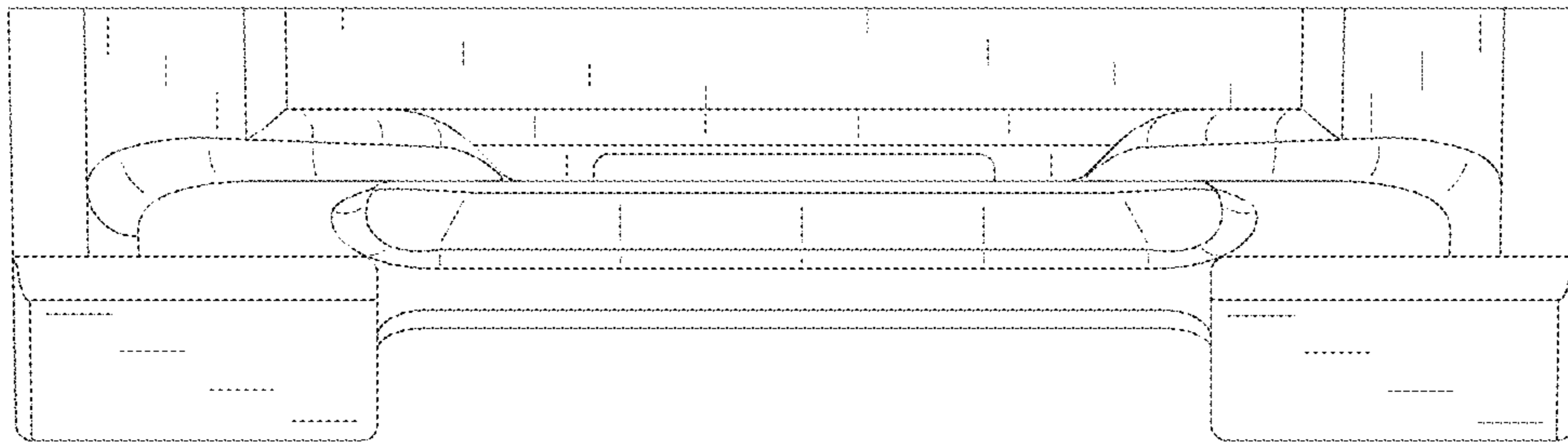


FIG. 7