



US00D980038S

(12) **United States Design Patent** (10) **Patent No.:** **US D980,038 S**
Olson et al. (45) **Date of Patent:** **** Mar. 7, 2023**

(54) **CABINET HANDLE**
(71) Applicant: **Belwith Products, LLC**, Grandville, MI (US)
(72) Inventors: **Taylor Joan Olson**, Grand Rapids, MI (US); **David Jon Warmenhoven**, Grandville, MI (US)
(73) Assignee: **Belwith Products, LLC**, Grandville, MI (US)
(**) Term: **15 Years**
(21) Appl. No.: **29/769,264**
(22) Filed: **Feb. 4, 2021**
(51) **LOC (14) Cl.** **08-06**
(52) **U.S. Cl.**
USPC **D8/316; D8/315**
(58) **Field of Classification Search**
USPC D8/315-316, 319-322
CPC A47B 95/02; Y10T 16/458; Y10T 16/462
See application file for complete search history.

D530,094 S * 10/2006 Hagan D3/318
D573,003 S * 7/2008 Bogdan D8/316
D682,654 S * 5/2013 Clarke D8/300
D764,833 S * 8/2016 Citterio D6/549
D812,929 S * 3/2018 Garland D6/549
D828,140 S * 9/2018 Garland D8/316
D881,674 S * 4/2020 Bertani D8/313
D891,146 S * 7/2020 Seum D6/549
D939,920 S * 1/2022 Gabbai D8/316
D949,661 S * 4/2022 Para D8/319

OTHER PUBLICATIONS

“Sydien 4Pcs Drawer Ring Pulls”, Apr. 11, 2018, Amazon.com, site visited Nov. 29, 2022: <https://www.amazon.com/dp/B07C3TVV9Q> (Year: 2018).*

(Continued)

Primary Examiner — Jack Reickel
Assistant Examiner — Michael A Kervin
(74) *Attorney, Agent, or Firm* — Economou IP Law;
Vangelis Economou

(57) **CLAIM**

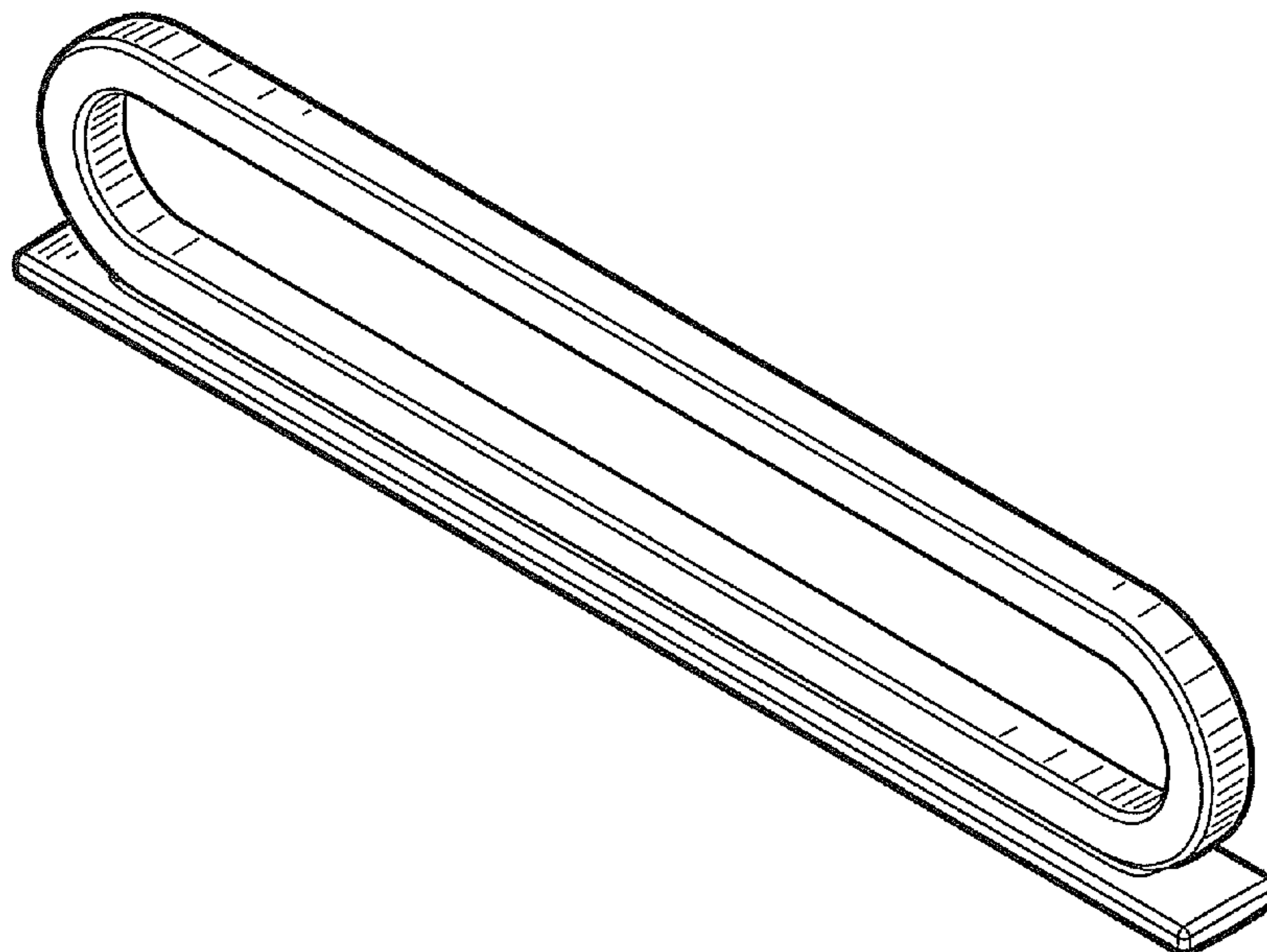
The ornamental design for a cabinet handle, as shown and described.

DESCRIPTION

FIG. 1 is a perspective view of the cabinet handle showing my new design;
FIG. 2 is a reduced front elevational view thereof;
FIG. 3 is a back elevational view thereof;
FIG. 4 is a right side view thereof;
FIG. 5 is a left side view thereof;
FIG. 6 is a top view thereof; and,
FIG. 7 is a bottom view thereof.

1 Claim, 2 Drawing Sheets

(56) **References Cited**
U.S. PATENT DOCUMENTS
337,412 A * 3/1886 Long A47B 95/02
16/415
D96,331 S * 7/1935 Martin D8/316
D180,398 S * 6/1957 Floria D8/316
D207,835 S * 6/1967 Dexter D8/316
D248,624 S * 7/1978 Spellier D8/313
D256,973 S * 9/1980 Dexter D8/316
D274,027 S * 5/1984 Thompson D6/546
D328,849 S * 8/1992 Cornick D6/306
D338,608 S * 8/1993 Martin D8/302
D380,344 S * 7/1997 Laib D7/393
5,887,927 A * 3/1999 Kurek, III B65D 25/2835
16/415
D498,406 S * 11/2004 Adler D8/316



(56)

References Cited

OTHER PUBLICATIONS

“MYOH Chicago Loop Pull”, Jan. 30, 2020, Amazon.com, site visited Nov. 29, 2022: https://www.amazon.com/-/es/Chicago-Cepillo-N%C3%ADquel-pulgadas-10-000/dp/B084D2CPMZ?language=en_US (Year: 2020).*

“Designer Talks—Corsa Collection 2021 Belwith Keeler”, Jan. 19, 2021, YouTube.com, site visited Nov. 29, 2022: <https://www.youtube.com/watch?v=11Y-80fDBIE> (Year: 2021).*

* cited by examiner

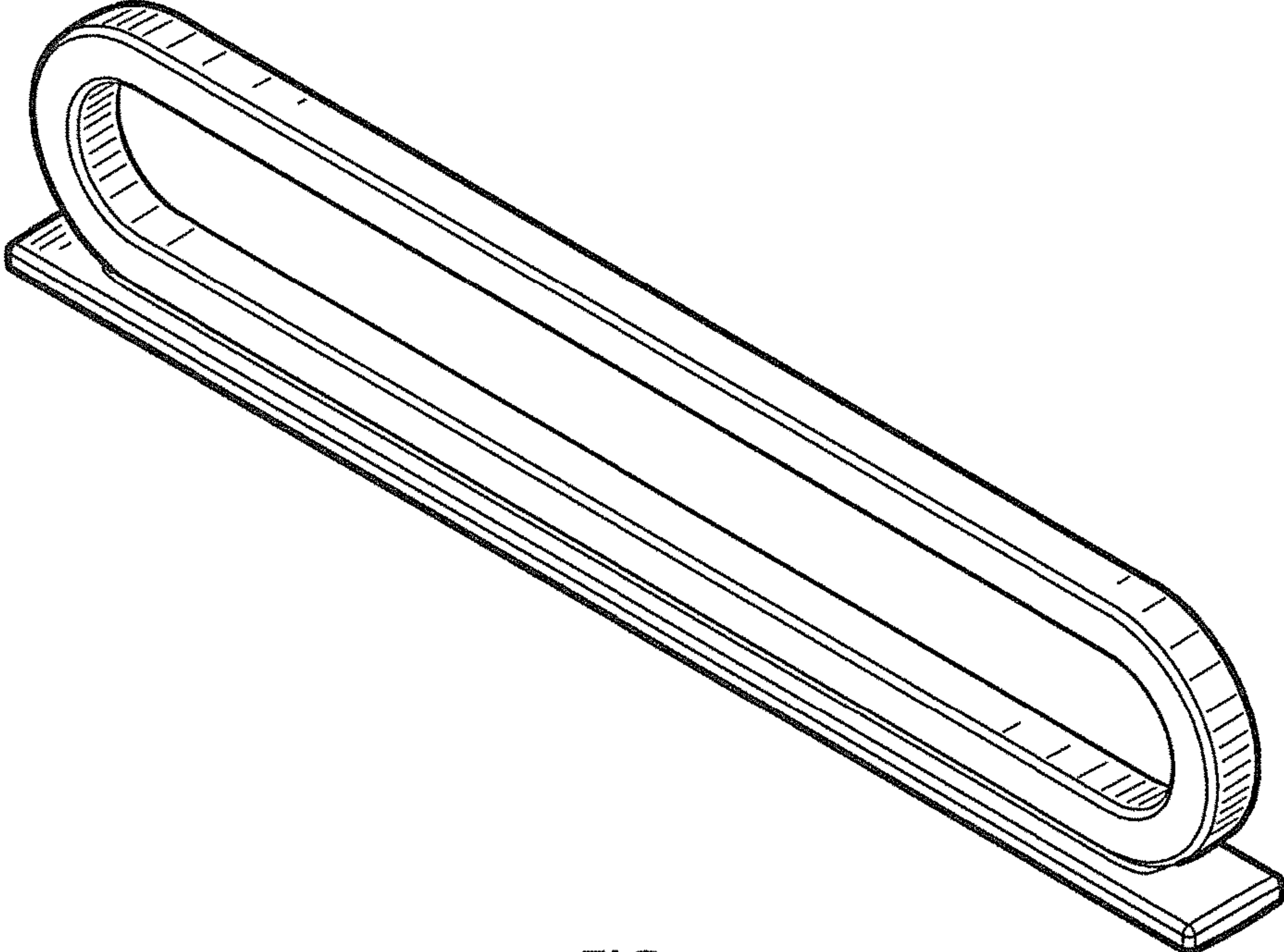


FIG. 1

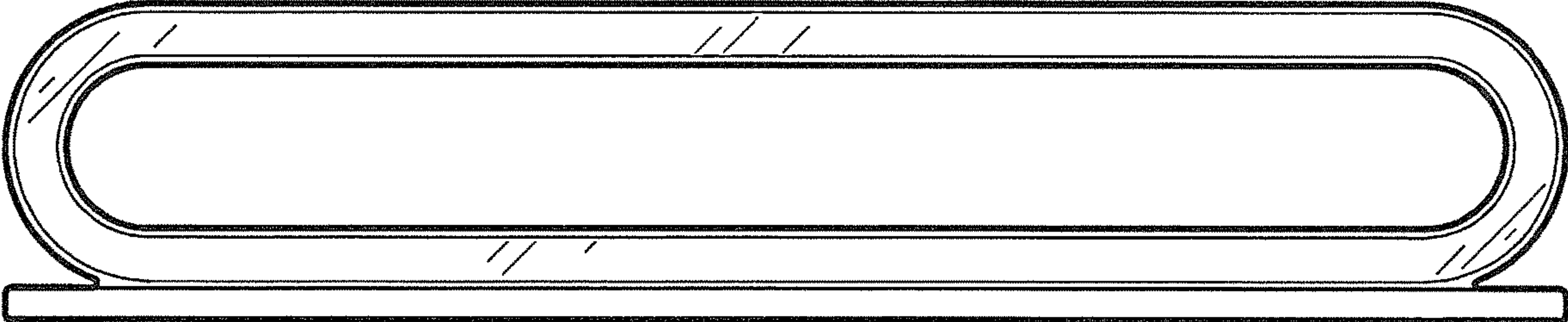


FIG. 2

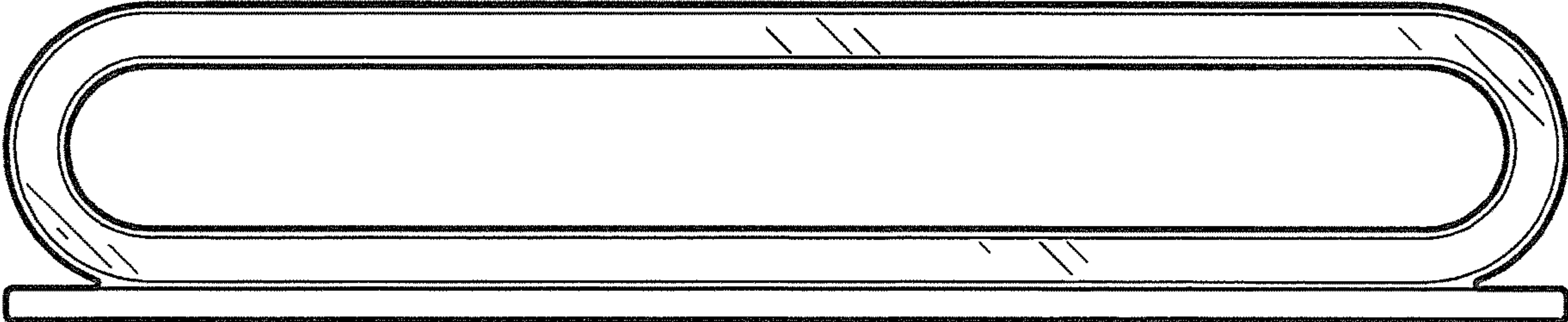


FIG. 3

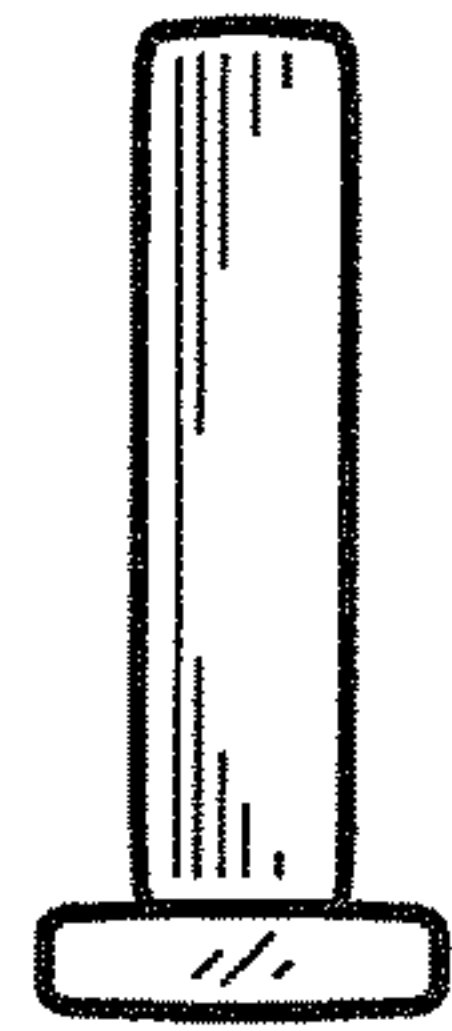


FIG. 4

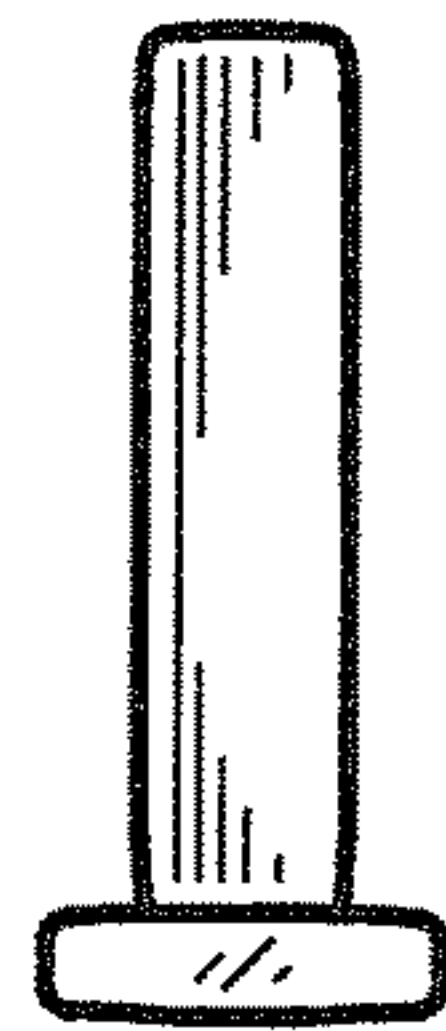


FIG. 5

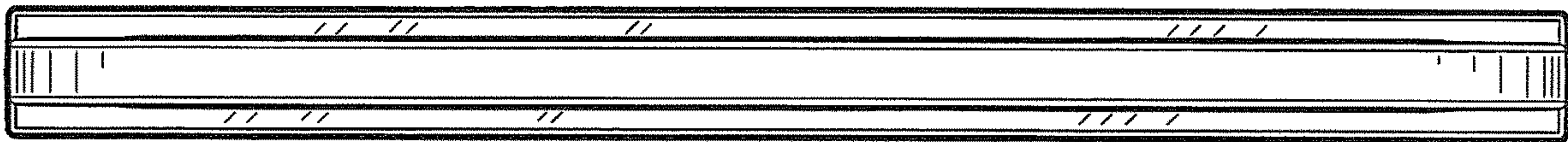


FIG. 6



FIG. 7