



US00D980037S

(12) **United States Design Patent**
Hudson

(10) **Patent No.:** **US D980,037 S**

(45) **Date of Patent:** **** Mar. 7, 2023**

(54) **HEN HOUSE DOOR MECHANISM**

(56) **References Cited**

(71) Applicant: **Brinsea Products Limited**, Weston
Super Mare (GB)

(72) Inventor: **Trevor John James Hudson**, Weston
Super Mare (GB)

(73) Assignee: **Brinsea Products Limited**, Weston
Super Mare (GB)

(**) Term: **15 Years**

(21) Appl. No.: **29/731,740**

(22) Filed: **Apr. 17, 2020**

(30) **Foreign Application Priority Data**

Oct. 17, 2019 (EM) 007041611

(51) **LOC (14) Cl.** **08-06**

(52) **U.S. Cl.**
USPC **D8/313**

(58) **Field of Classification Search**
USPC D8/300, 301, 302, 313, 315, 316, 318,
D8/319, 320, 331
CPC Y10T 16/469; Y10T 16/44; Y10T 16/498;
Y10T 16/459; Y10T 74/20732; Y10T
16/462; Y10T 29/49826; Y10T 16/4559;
Y10T 74/20864; Y10T 16/4628; Y10T
407/1825; Y10T 408/96; Y10T 74/20612;
Y10T 137/6024; B25G 1/10; B25G 1/00;
B25G 3/00

See application file for complete search history.

U.S. PATENT DOCUMENTS

D99,022 S *	3/1936	Hess	D8/DIG. 1
D184,620 S *	3/1959	Heyer et al.	D8/316
D249,454 S *	9/1978	Spellier	D8/313
D404,283 S *	1/1999	Schwartz	D8/356
D597,395 S *	8/2009	Martineau	D8/313
D781,134 S *	3/2017	Watson	D8/343
10,501,961 B2 *	12/2019	Longest	E05B 5/00
D881,674 S *	4/2020	Bertani	D8/313

* cited by examiner

Primary Examiner — Lauren R Calve

(74) *Attorney, Agent, or Firm* — Mercedes V. O'Connor;
Rockman Videbeck & O'Connor

(57) **CLAIM**

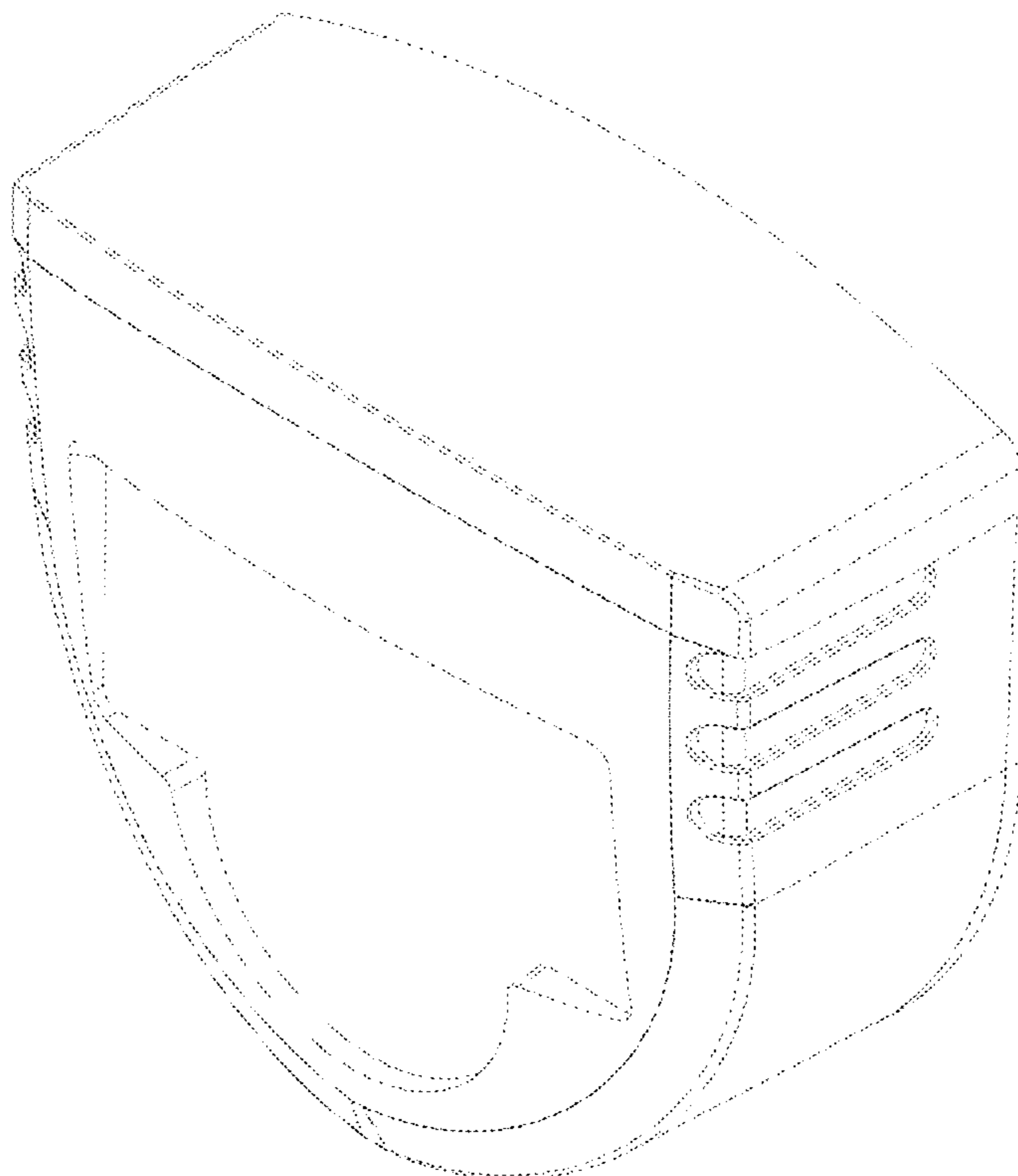
The ornamental design for a hen house door mechanism, as shown and described.

DESCRIPTION

FIG. 1 is a front elevation view of a hen house door mechanism showing my new ornamental design. FIG. 2 is a left side elevation view thereof; FIG. 3 is a right side elevation view thereof; FIG. 4 is a rear elevation view thereof; FIG. 5 is a top plan view thereof; FIG. 6 is a bottom plan view thereof; and, FIG. 7 is a perspective view thereof.

The broken lines shown represent portions of the hen house door mechanism that form no part of the claimed design.

1 Claim, 7 Drawing Sheets



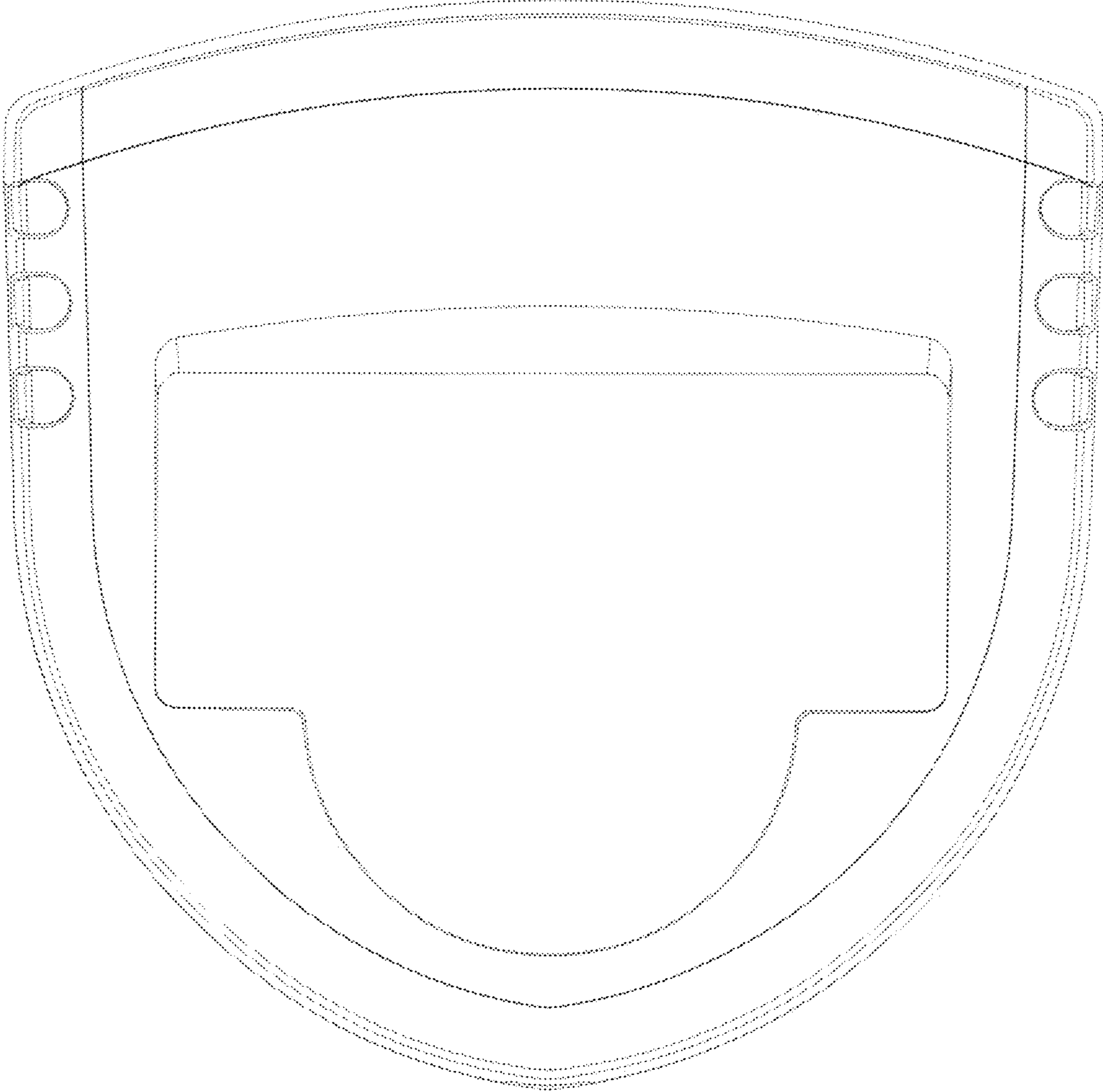


FIG. 1

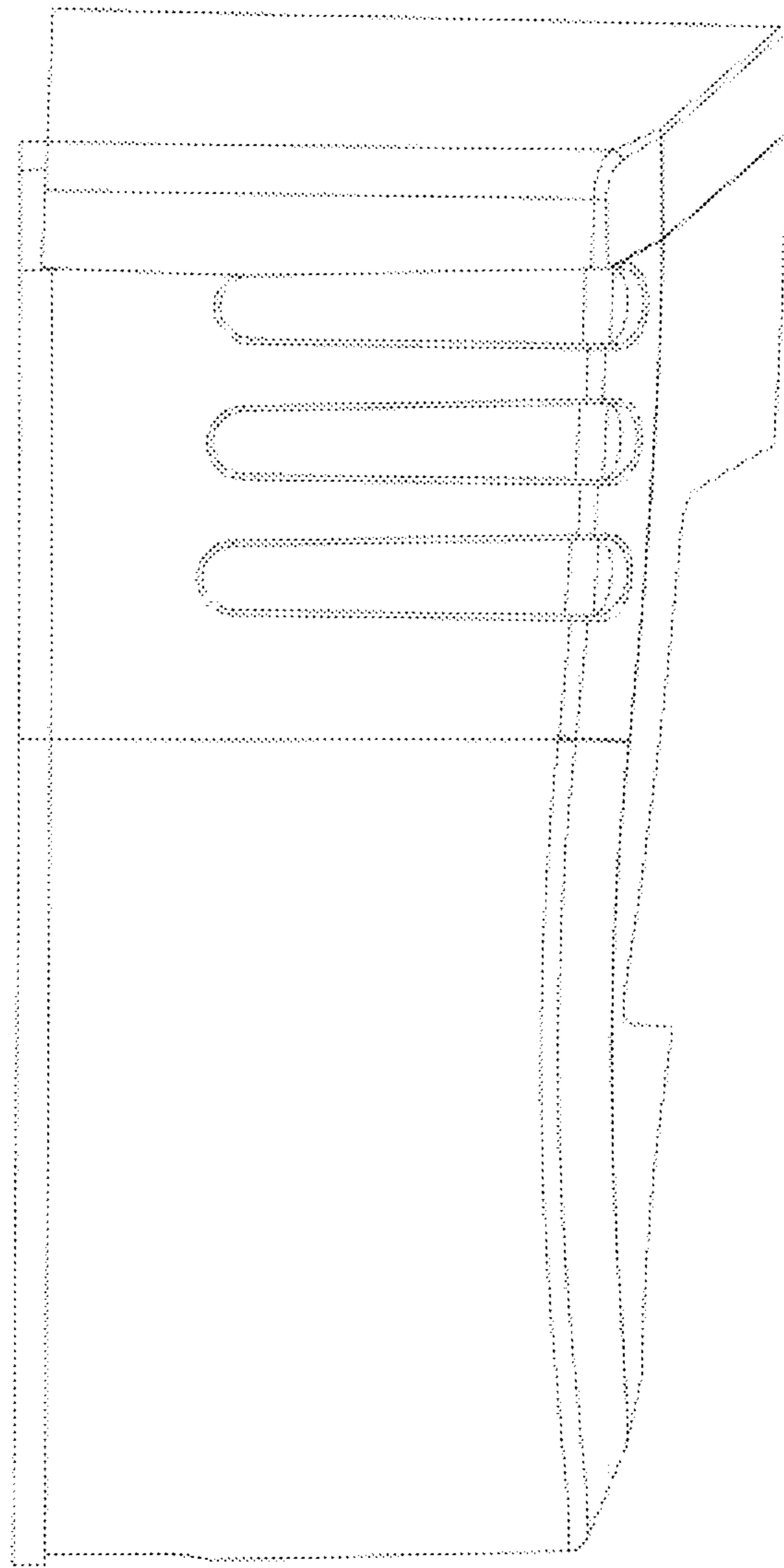


FIG. 2

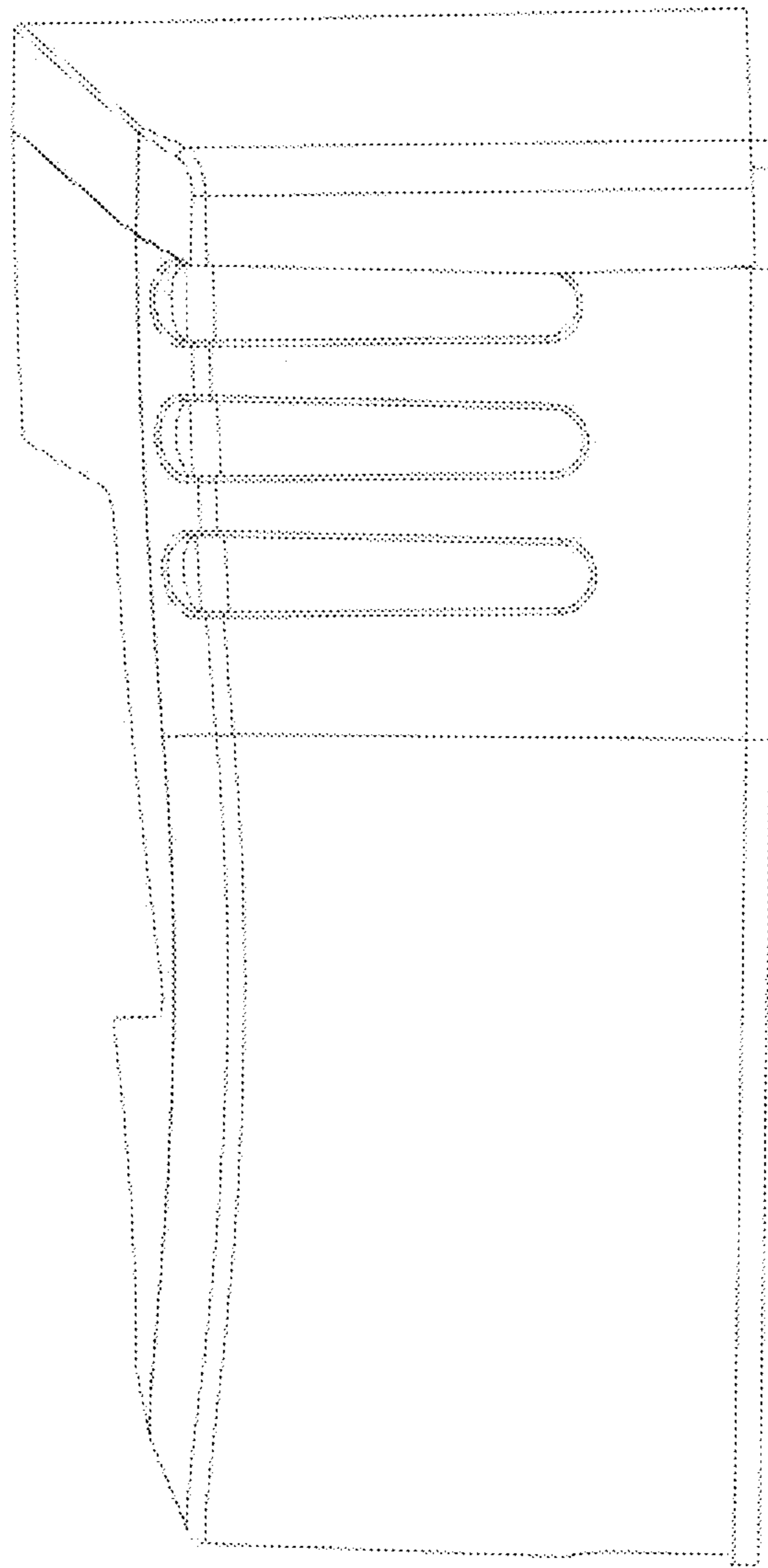


FIG. 3

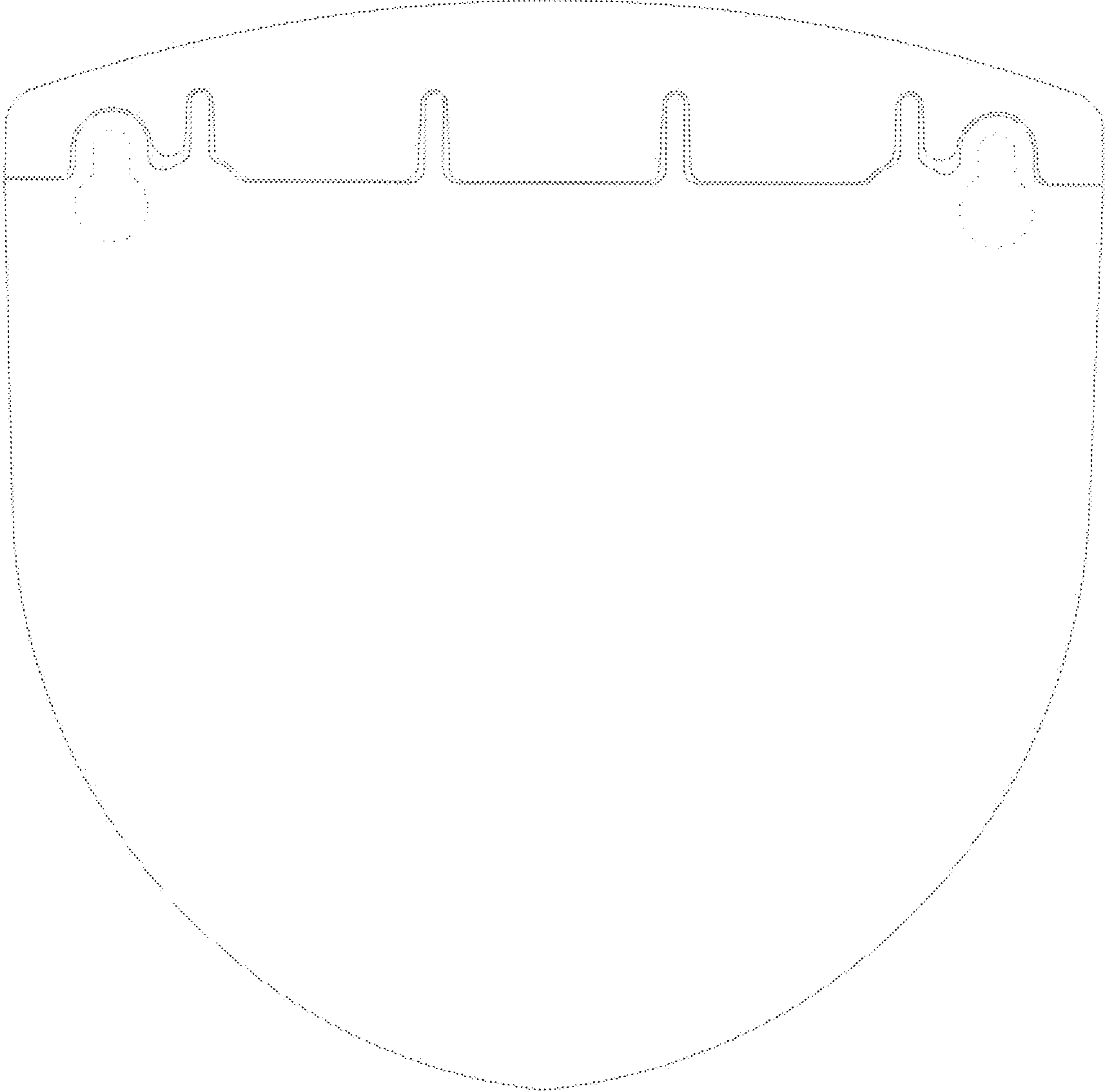


FIG. 4

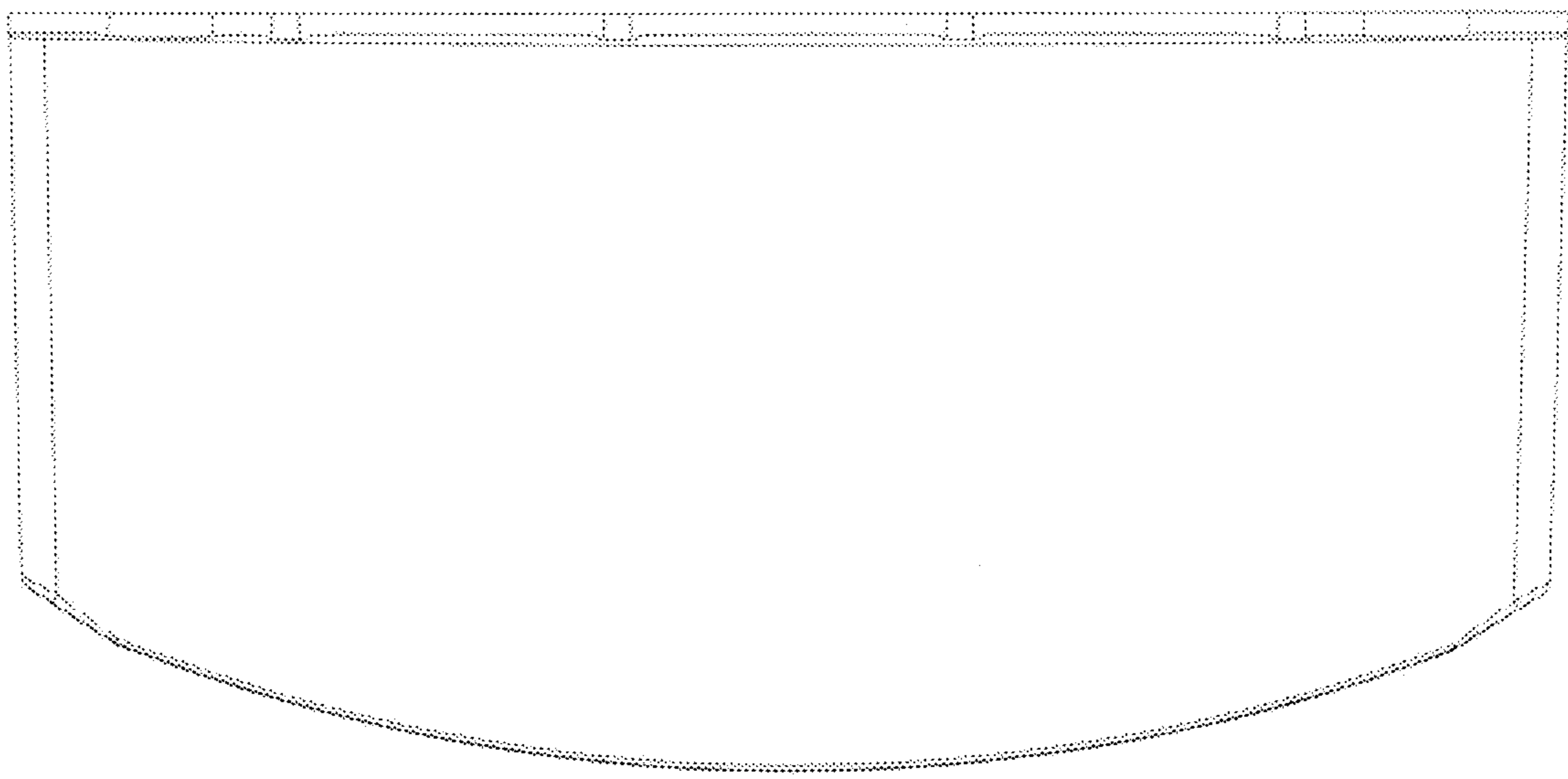


FIG. 5

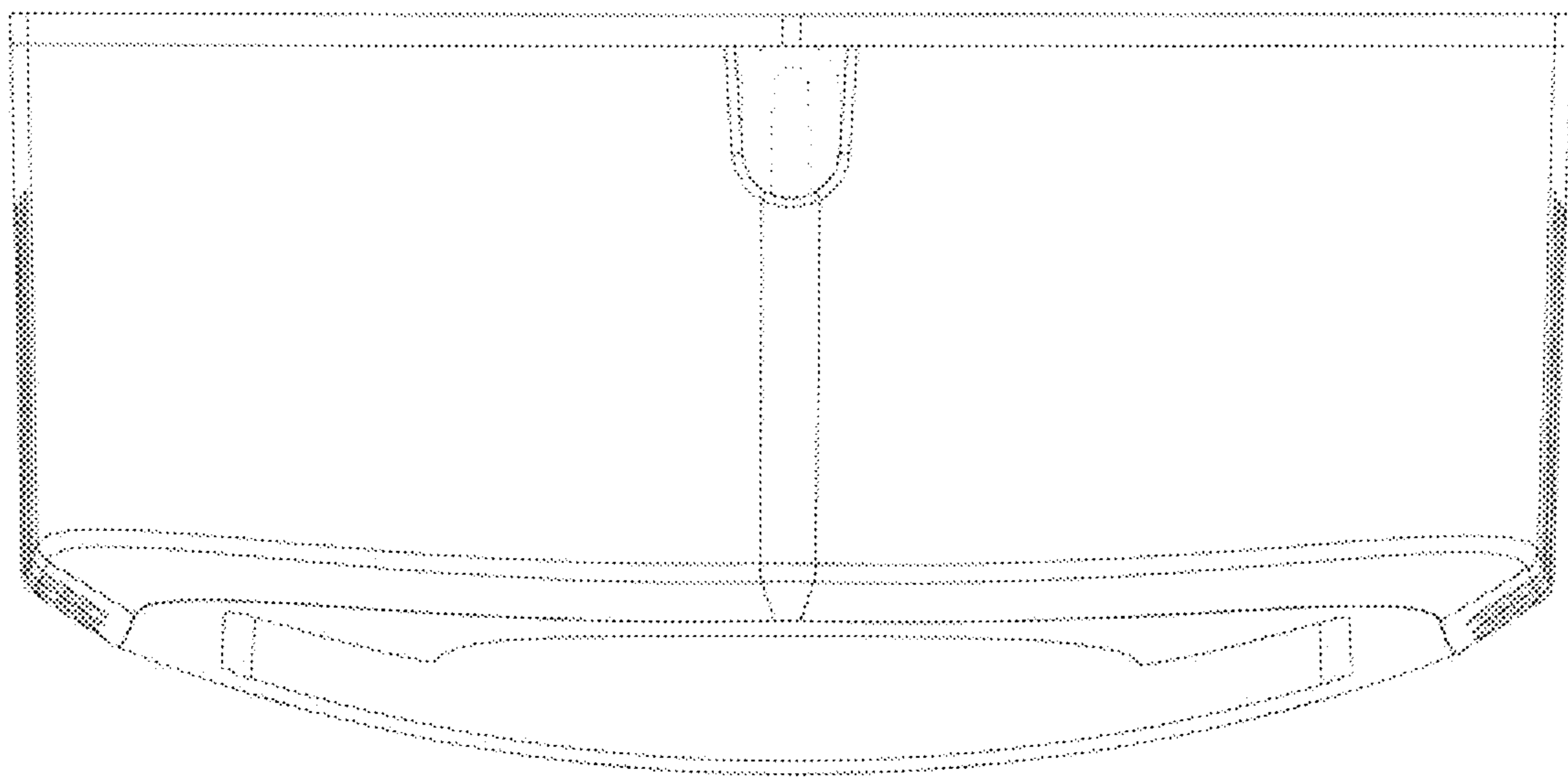


FIG. 6

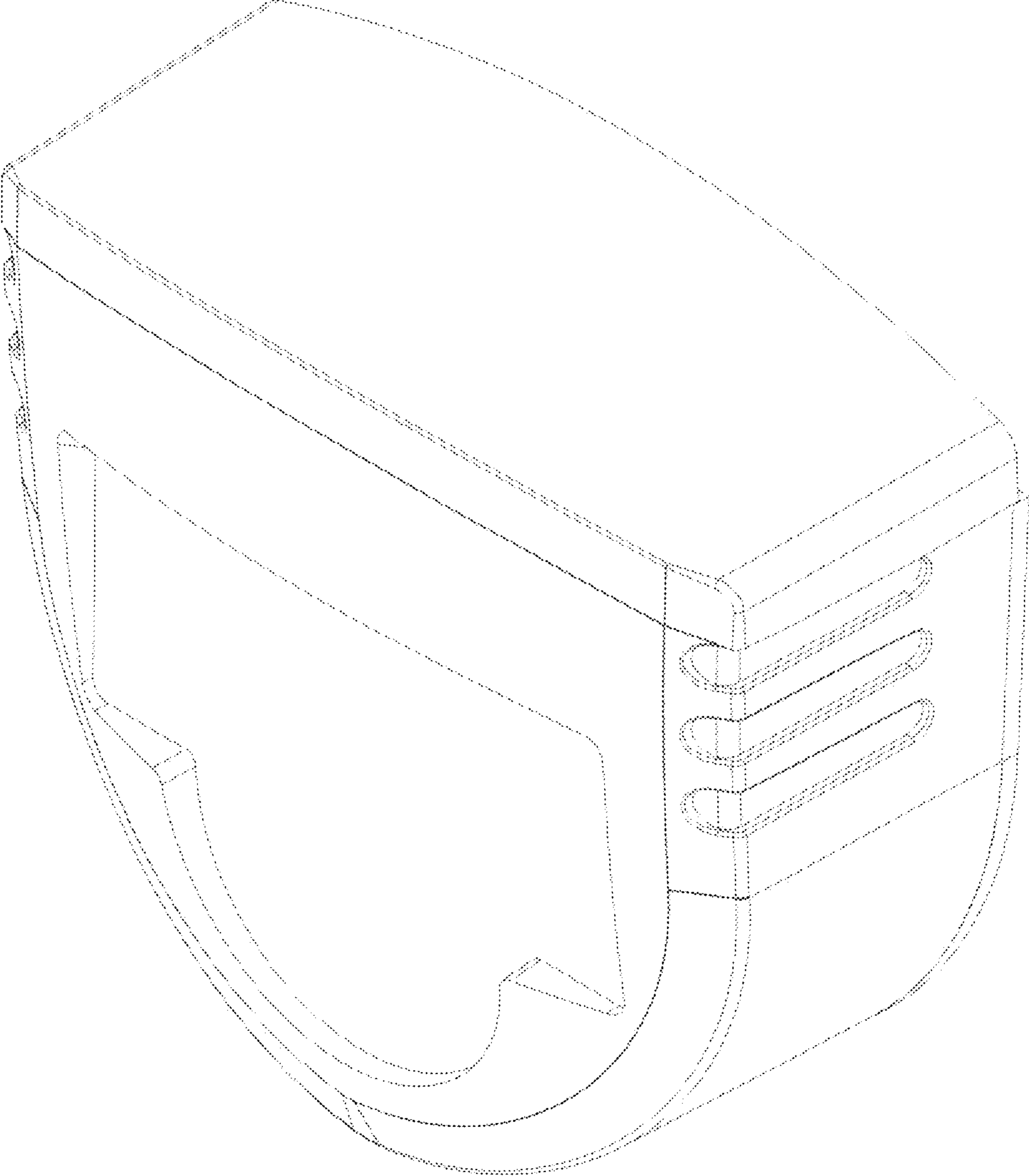


FIG. 7