



US00D980036S

(12) **United States Design Patent**
Kessler et al.

(10) **Patent No.:** **US D980,036 S**
(45) **Date of Patent:** **** Mar. 7, 2023**

(54) **LOW TOUCH UTENSIL**

(71) Applicant: **R&L MARKETING & SALES, INC.**,
Youngstown, OH (US)

(72) Inventors: **Ronald N. Kessler**, Girard, OH (US);
David M. Neill, Canfield, OH (US)

(73) Assignee: **R&L MARKETING & SALES, INC.**,
Boardman, OH (US)

(**) Term: **15 Years**

(21) Appl. No.: **29/807,510**

(22) Filed: **Sep. 13, 2021**

Related U.S. Application Data

(63) Continuation-in-part of application No. 29/760,555,
filed on Dec. 2, 2020, now Pat. No. Des. 940,527, and
a continuation-in-part of application No. 17/109,491,
filed on Dec. 2, 2020.

(51) **LOC (14) Cl.** **08-06**

(52) **U.S. Cl.**
USPC **D8/301; D8/14**

(58) **Field of Classification Search**
USPC D8/14, 16, 19, 105, 300, 301, 303;
D3/210
CPC Y10T 24/4755; Y10T 24/45969; Y10T
24/45408; Y10T 24/3484; Y10T
24/45974; Y10T 24/45199; Y10T
24/45288; Y10T 24/45963; F16B 45/00
See application file for complete search history.

(56) **References Cited**

U.S. PATENT DOCUMENTS

D170,236 S * 8/1953 Prokop D8/320
2,765,128 A * 10/1956 Barth A63H 27/002
242/388

D292,499 S	10/1987	Eddy	
D304,671 S	11/1989	Reaney	
5,651,633 A	7/1997	Howe	
D395,215 S	6/1998	Siemion et al.	
D436,445 S	1/2001	Goins	
7,178,845 B1	2/2007	Metzger et al.	
10,036,415 B2	7/2018	Yitzhaki	
D926,000 S	7/2021	Ying	
D926,539 S	8/2021	Ying	
D930,448 S	9/2021	Parker	
D931,068 S	9/2021	Ying	
D940,527 S *	1/2022	Kessler	D8/301
D944,064 S *	2/2022	Hunkins	D8/14
D945,843 S *	3/2022	Banchitta	D8/18
D953,134 S *	5/2022	Saboo	D8/14
D964,827 S *	9/2022	Tsai	D8/14
2007/0289101 A1	12/2007	Casteel et al.	
2017/0370401 A1 *	12/2017	Yitzhaki	A44B 15/00
2019/0029405 A1	1/2019	Kolb	

(Continued)

Primary Examiner — Lauren R Calve

(74) *Attorney, Agent, or Firm* — Sand, Sebolt & Wernow
Co., LPA

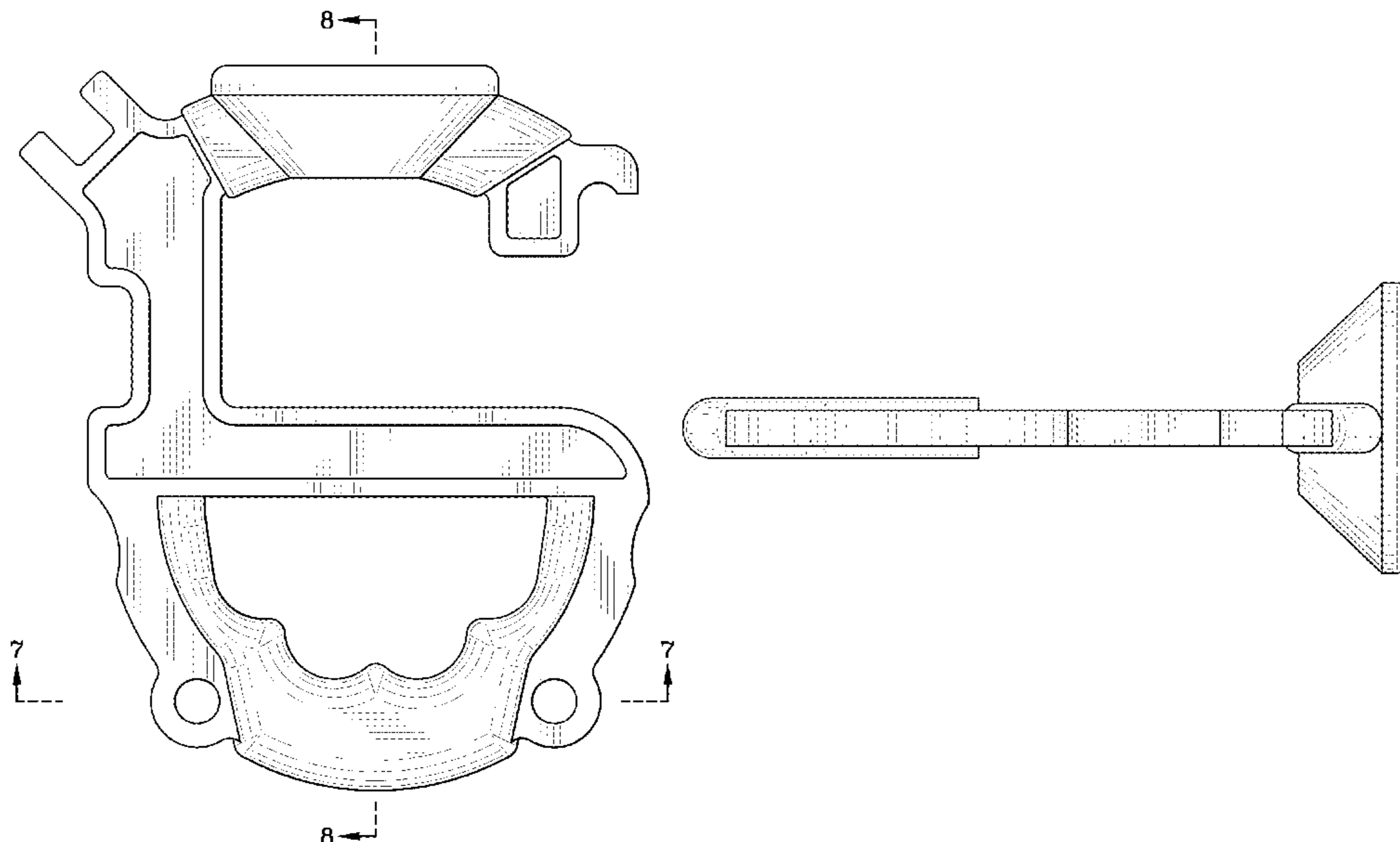
(57) **CLAIM**

The ornamental design for a low touch utensil, as shown and
described.

DESCRIPTION

FIG. 1 is a top plan view of the low touch utensil in
accordance with our design;
FIG. 2 is a bottom plan view thereof;
FIG. 3 is a front elevation view thereof;
FIG. 4 is a rear elevation view thereof;
FIG. 5 is a right side elevation view thereof;
FIG. 6 is a left side elevation view thereof;
FIG. 7 is a cross-section of the low touch utensil looking in
the direction of line 7-7 of FIG. 1; and,
FIG. 8 is a cross-section of the low touch utensil looking in
the direction of line 8-8 of FIG. 1.

1 Claim, 5 Drawing Sheets



(56)

References Cited

U.S. PATENT DOCUMENTS

2021/0323141 A1* 10/2021 Tunney B25J 1/04
2022/0048178 A1* 2/2022 Chen E05B 1/0069

* cited by examiner

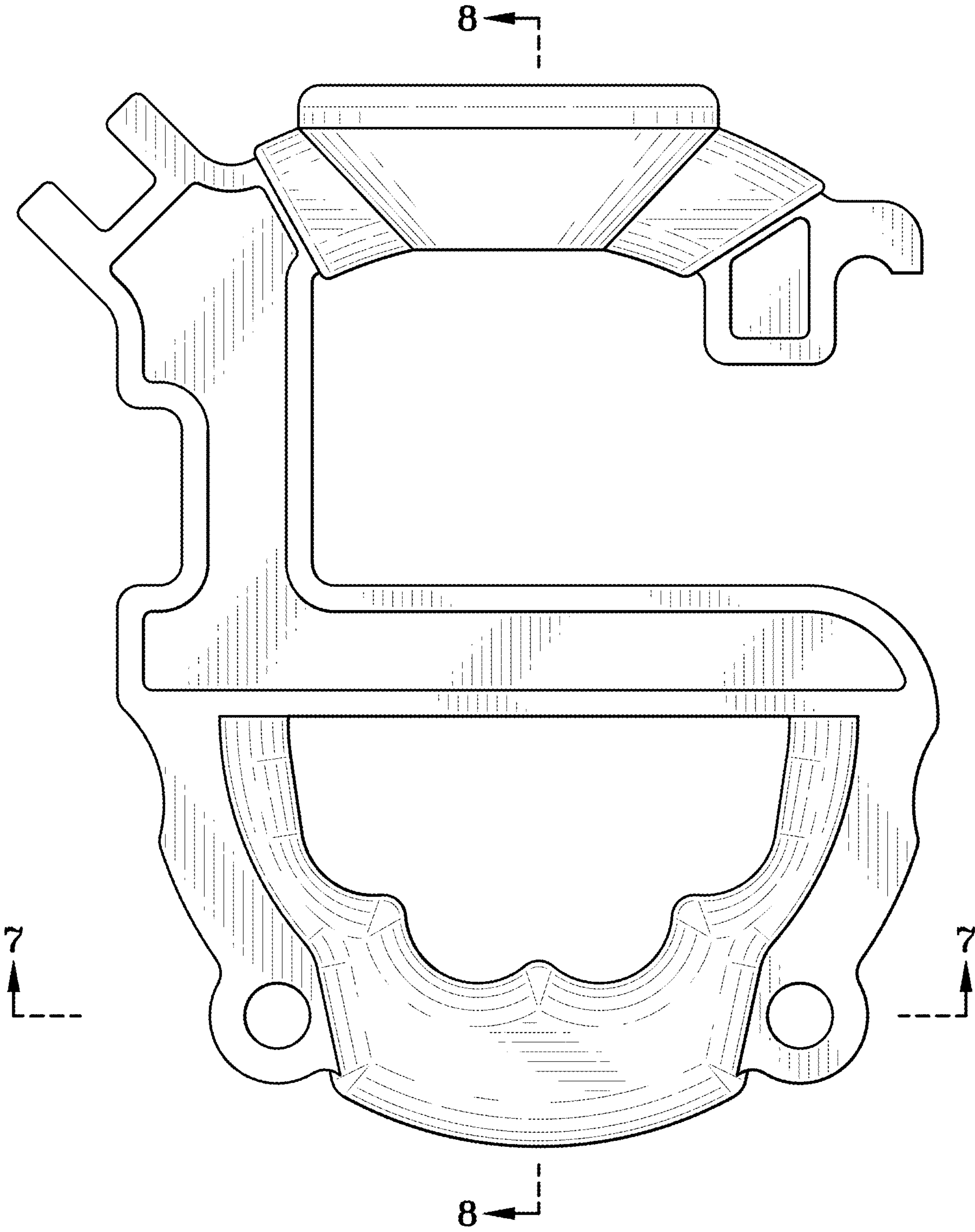


FIG. 1

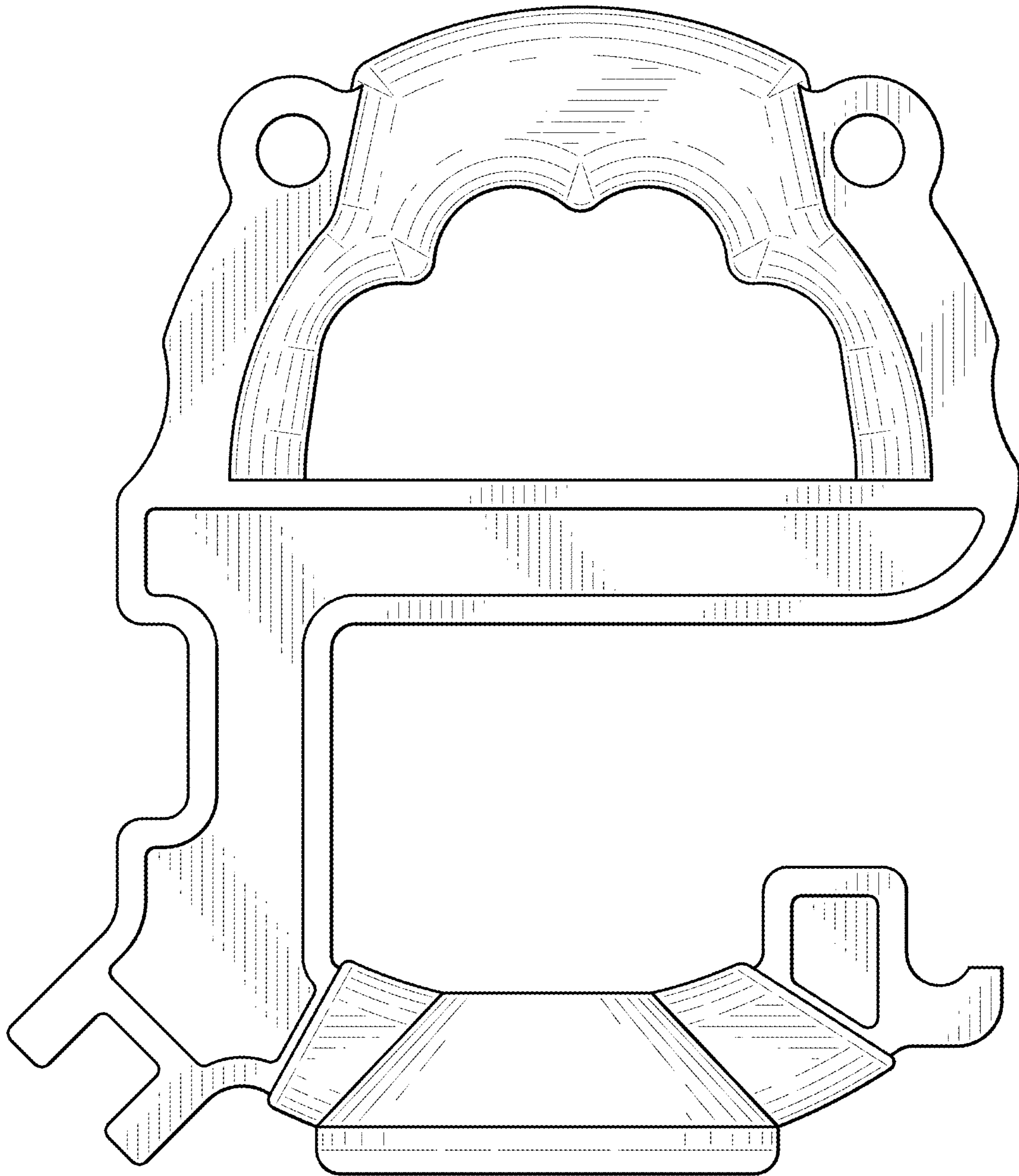


FIG. 2

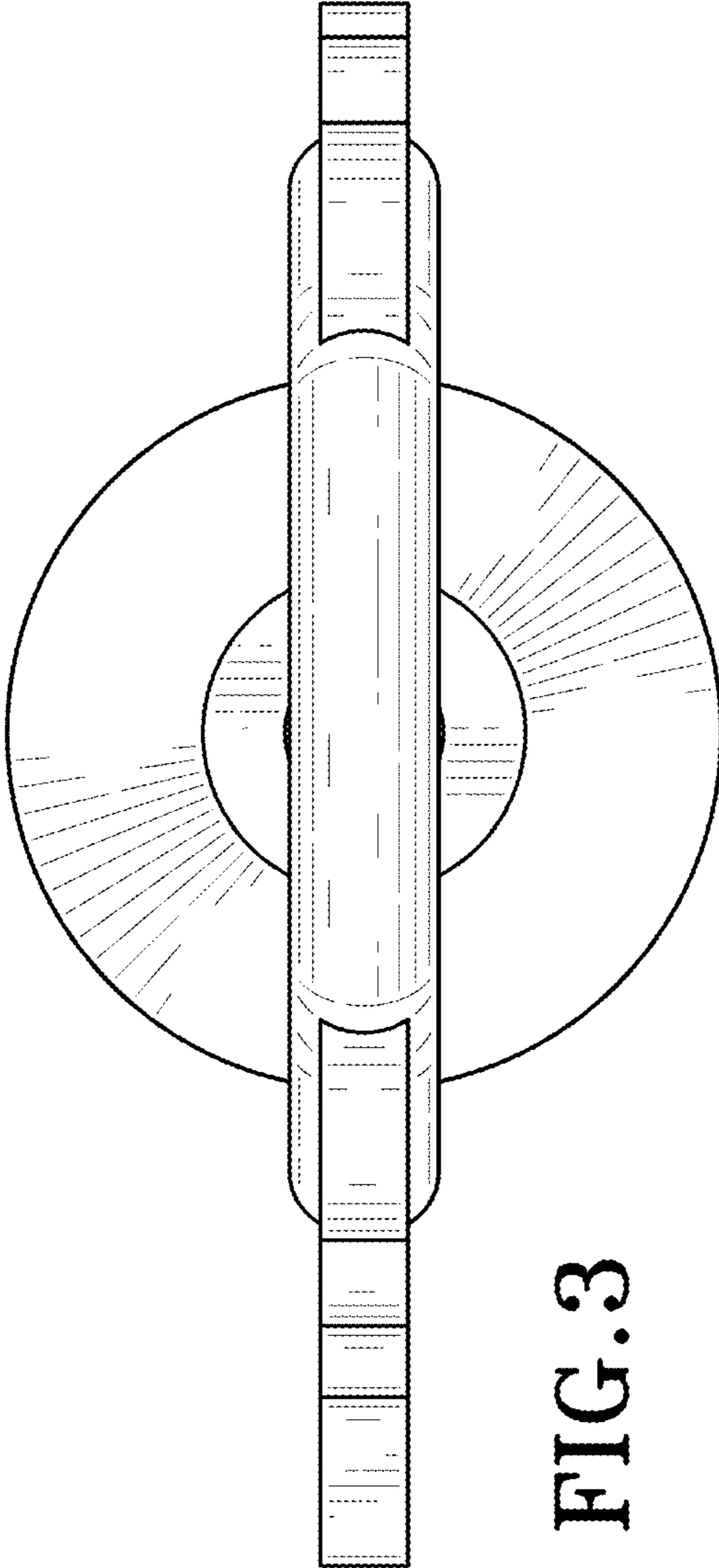


FIG. 3

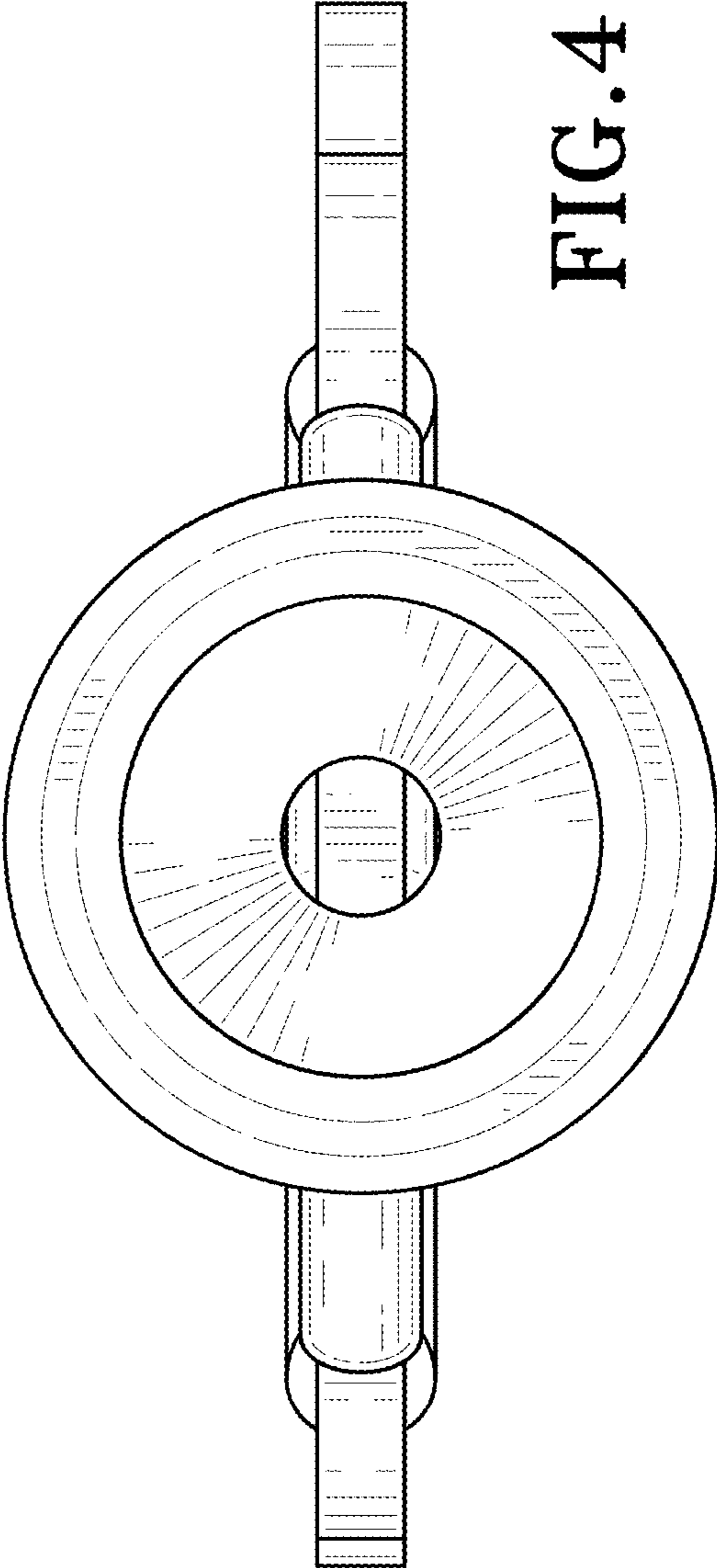


FIG. 4

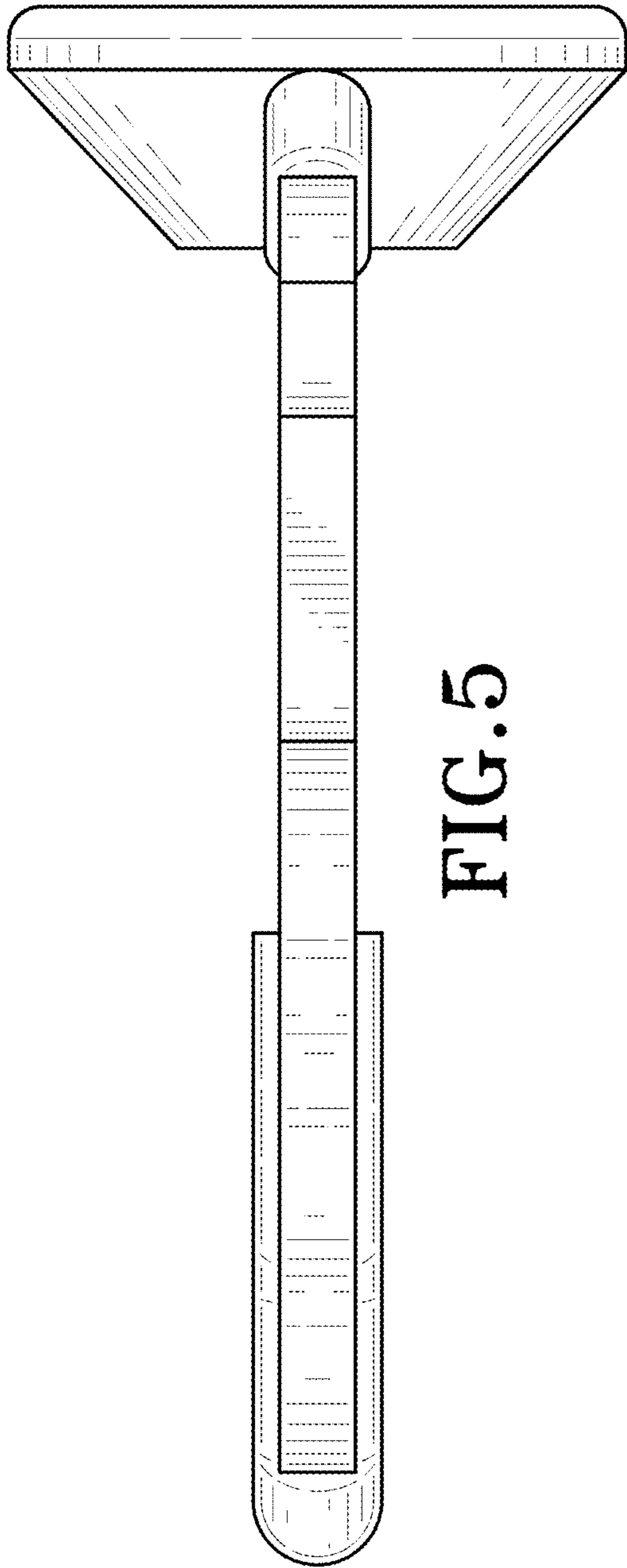


FIG. 5

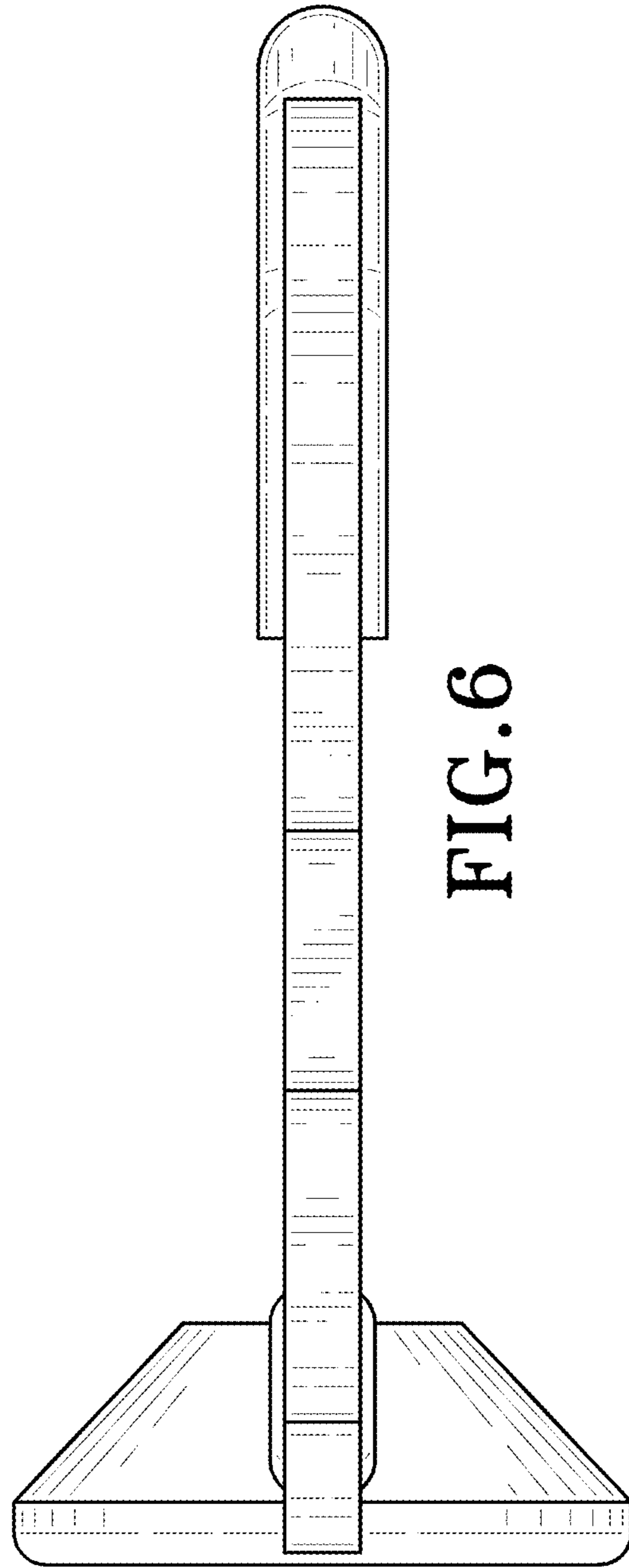


FIG. 6

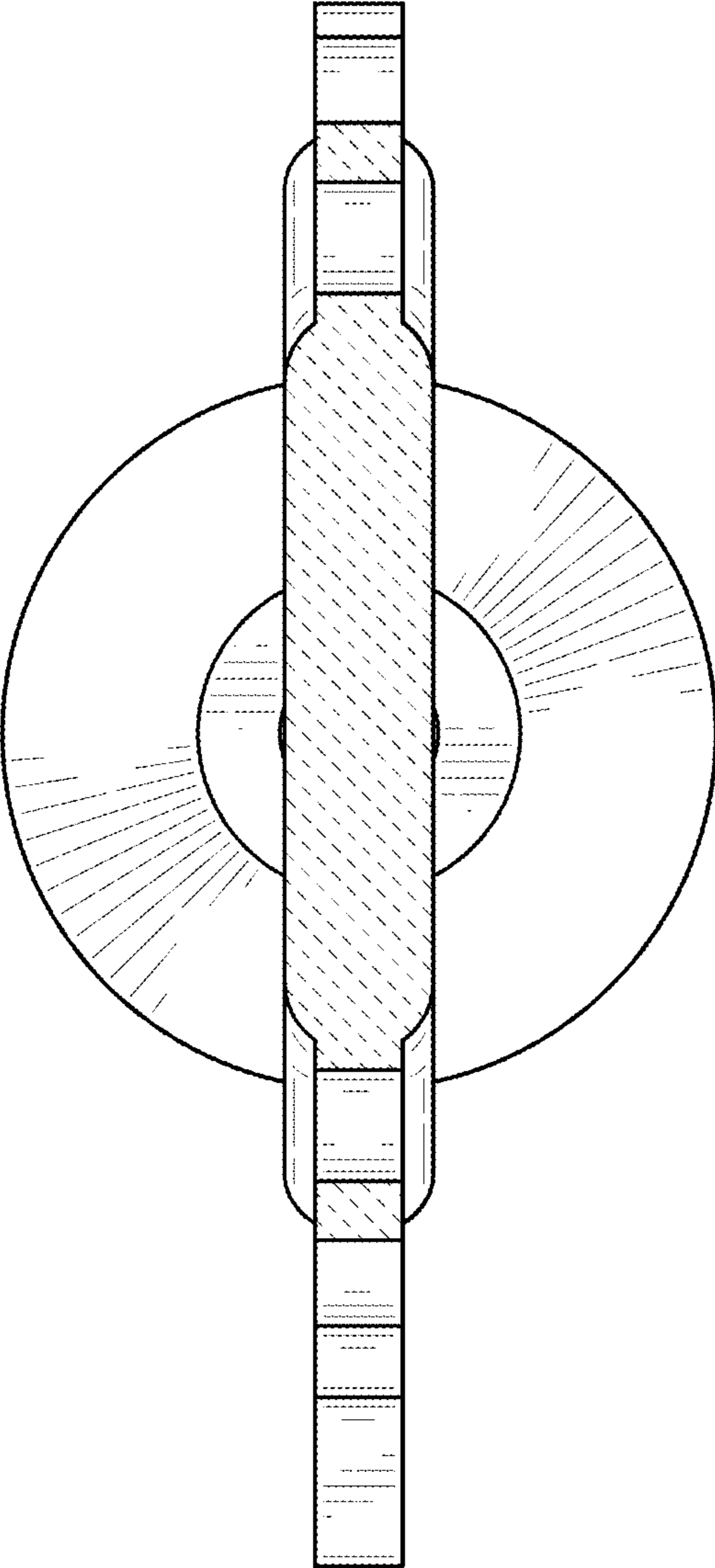


FIG. 7

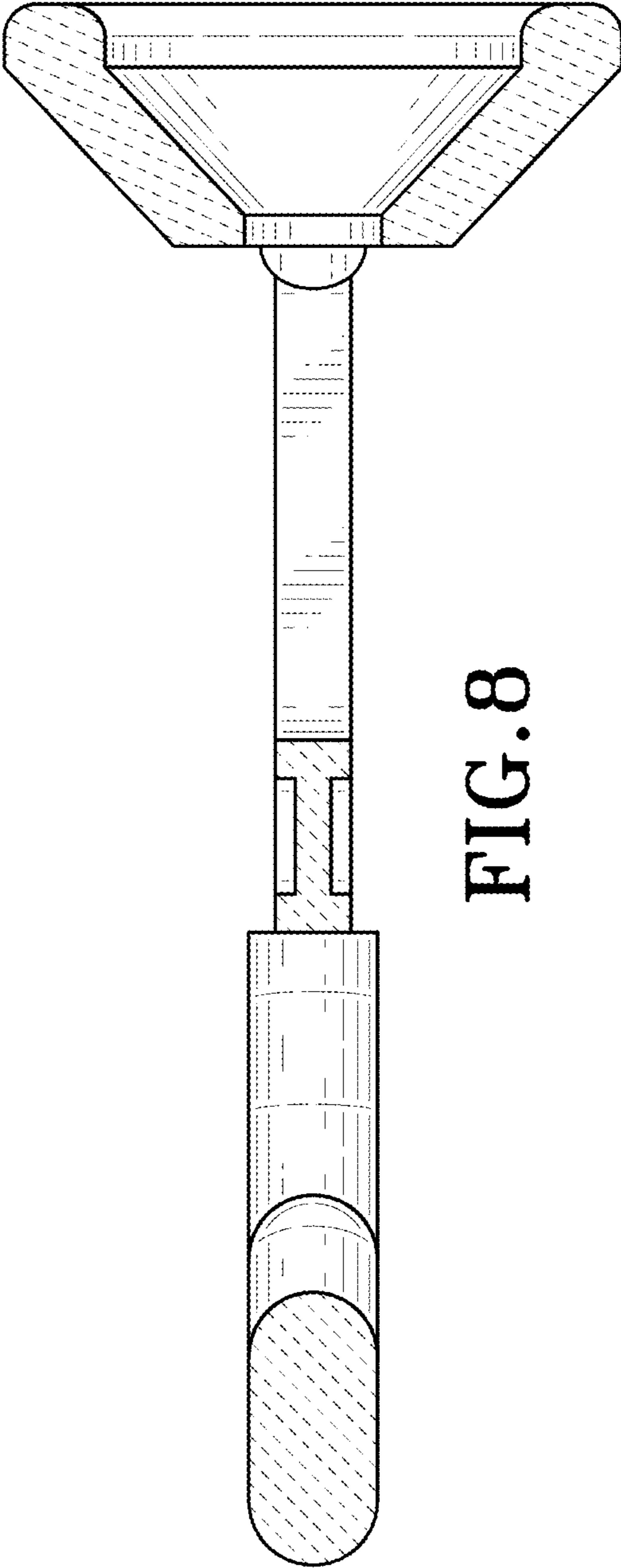


FIG. 8