



US00D980035S

(12) **United States Design Patent**  
**Kessler et al.**

(10) **Patent No.:** **US D980,035 S**

(45) **Date of Patent:** **\*\* Mar. 7, 2023**

(54) **LOW TOUCH UTENSIL**

(71) Applicant: **R&L MARKETING & SALES, INC.**,  
Youngstown, OH (US)

(72) Inventors: **Ronald N. Kessler**, Girard, OH (US);  
**David M. Neill**, Canfield, OH (US)

(73) Assignee: **R&L MARKETING & SALES, INC.**,  
Boardman, OH (US)

(\*\*) Term: **15 Years**

(21) Appl. No.: **29/807,509**

(22) Filed: **Sep. 13, 2021**

**Related U.S. Application Data**

(63) Continuation-in-part of application No. 29/760,555,  
filed on Dec. 2, 2020, now Pat. No. Des. 940,527, and  
a continuation-in-part of application No. 17/109,491,  
filed on Dec. 2, 2020.

(51) **LOC (14) Cl.** ..... **08-06**

(52) **U.S. Cl.**  
USPC ..... **D8/301; D8/14**

(58) **Field of Classification Search**  
USPC ..... D8/14, 16, 19, 105, 300, 301, 303;  
D3/210

CPC ..... Y10T 24/4755; Y10T 24/45969; Y10T  
24/45408; Y10T 24/3484; Y10T  
24/45974; Y10T 24/45199; Y10T  
24/45288; Y10T 24/45963; F16B 45/00  
See application file for complete search history.

(56) **References Cited**

**U.S. PATENT DOCUMENTS**

D170,236 S \* 8/1953 Prokop ..... D8/320  
2,765,128 A \* 10/1956 Barth ..... A63H 27/002  
242/388  
D292,499 S 10/1987 Eddy

D304,671 S 11/1989 Reaney  
5,651,633 A 7/1997 Howe  
D395,215 S 6/1998 Siemion et al.  
D436,445 S 1/2001 Goins  
7,178,845 B1 2/2007 Metzger et al.  
10,036,415 B2 7/2018 Yitzhaki  
D926,000 S 7/2021 Ying  
D926,539 S 8/2021 Ying  
D930,448 S 9/2021 Parker  
D931,068 S 9/2021 Ying  
D940,527 S \* 1/2022 Kessler ..... D8/301  
D944,064 S \* 2/2022 Hunkins ..... D8/14  
D945,843 S \* 3/2022 Banchitta ..... D8/18  
D953,134 S \* 5/2022 Saboo ..... D8/14  
D964,827 S \* 9/2022 Tsai ..... D8/14  
2007/0289101 A1 12/2007 Casteel et al.  
2017/0370401 A1\* 12/2017 Yitzhaki ..... A44B 15/00

(Continued)

*Primary Examiner* — Lauren R Calve

(74) *Attorney, Agent, or Firm* — Sand, Sebolt & Wernow  
Co., LPA

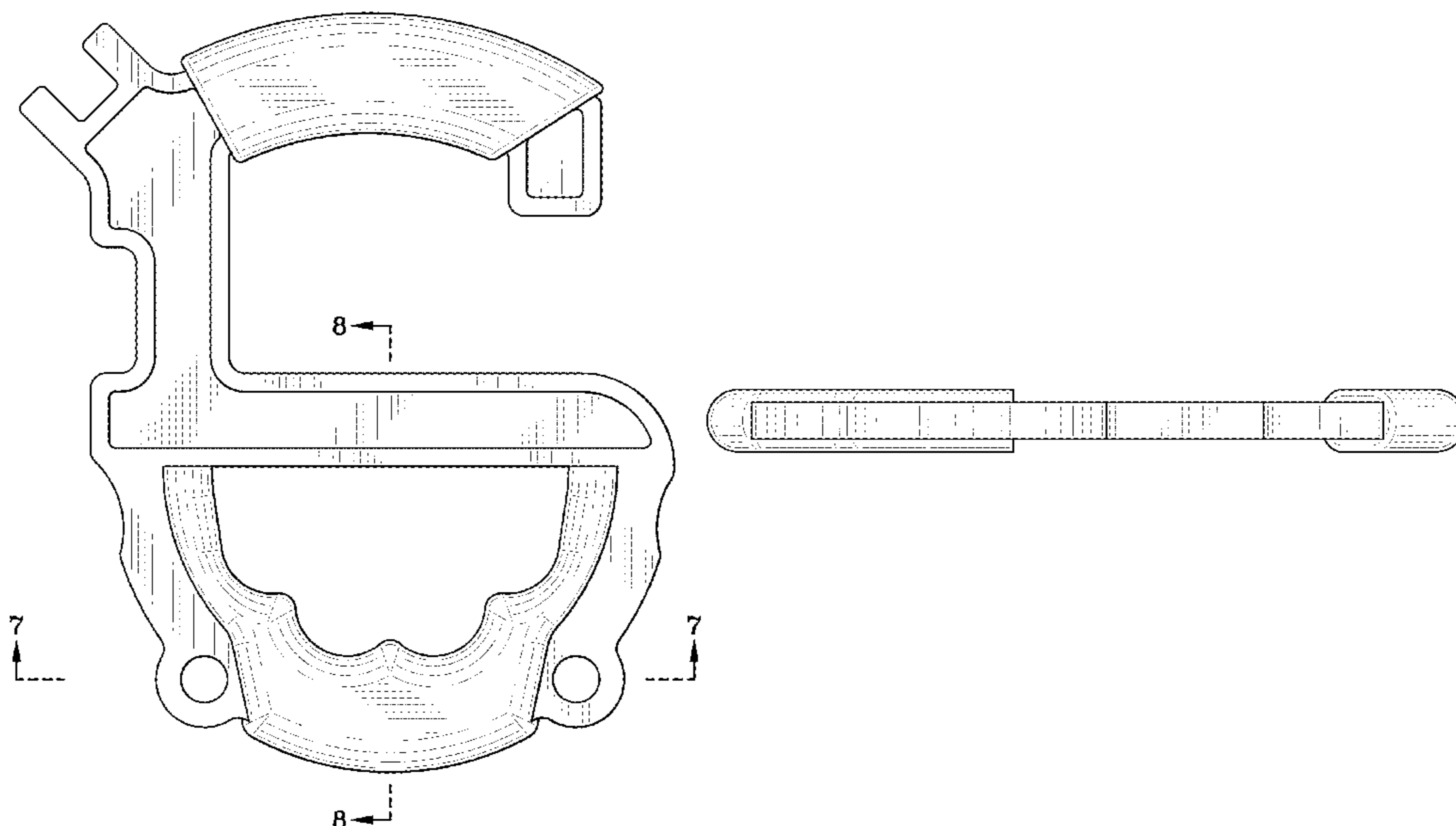
(57) **CLAIM**

The ornamental design for a low touch utensil, as shown and  
described.

**DESCRIPTION**

FIG. 1 is a top plan view of the low touch utensil in  
accordance with our design;  
FIG. 2 is a bottom plan view thereof;  
FIG. 3 is a front elevation view thereof;  
FIG. 4 is a rear elevation view thereof;  
FIG. 5 is a right side elevation view thereof;  
FIG. 6 is a left side elevation view thereof;  
FIG. 7 is a cross-section of the low touch utensil looking in  
the direction of line 7-7 of FIG. 1; and,  
FIG. 8 is a partial cross-section of the low touch utensil  
looking in the direction of line 8-8 of FIG. 1.  
The dash-dash line in FIG. 8 depicts the boundary of the  
figure and forms no part of the claimed design.

**1 Claim, 4 Drawing Sheets**



(56)

**References Cited**

U.S. PATENT DOCUMENTS

2019/0029405 A1 1/2019 Kolb  
2021/0323141 A1\* 10/2021 Tunney ..... B25J 1/04  
2022/0048178 A1\* 2/2022 Chen ..... E05B 1/0069

\* cited by examiner

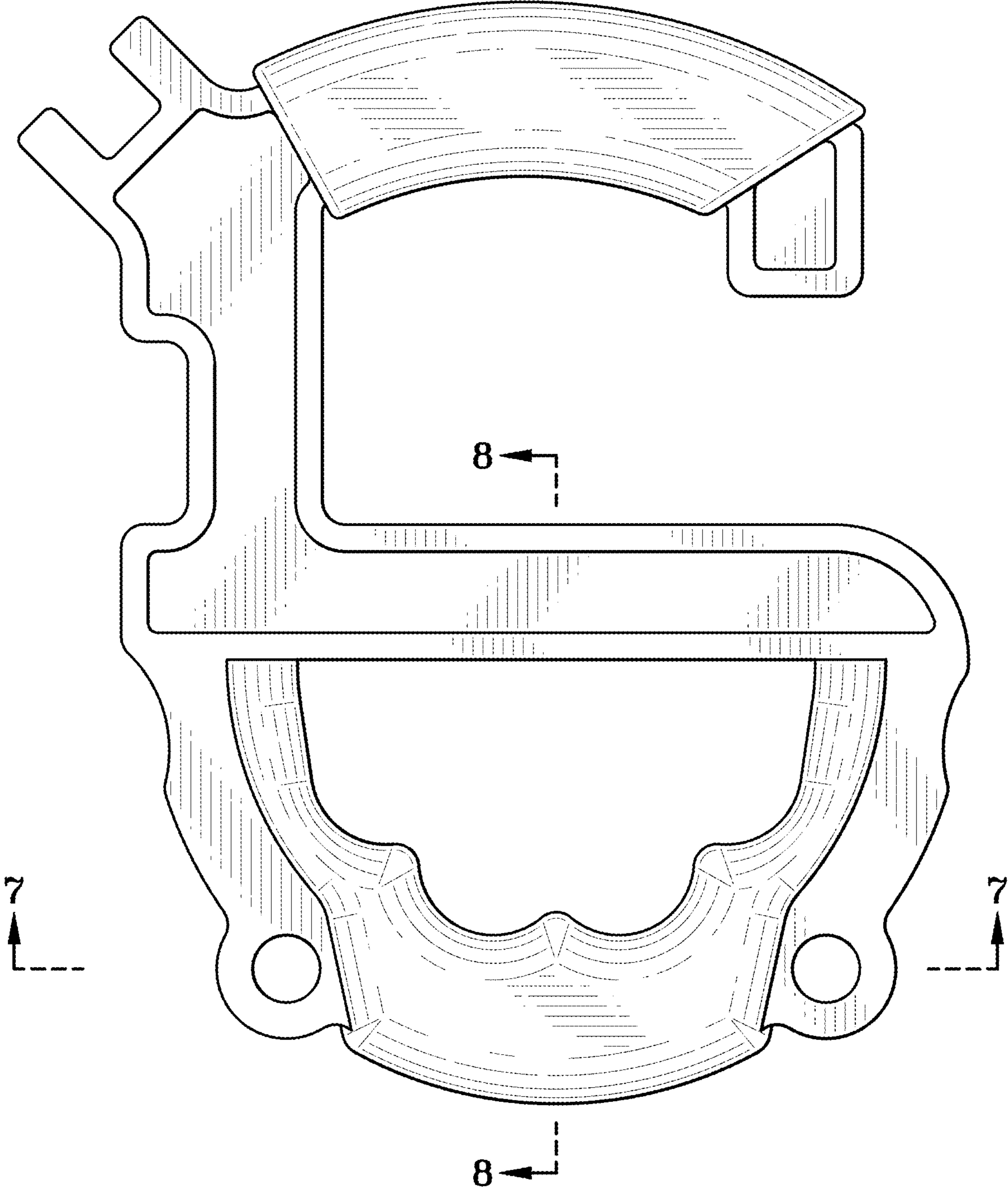


FIG. 1

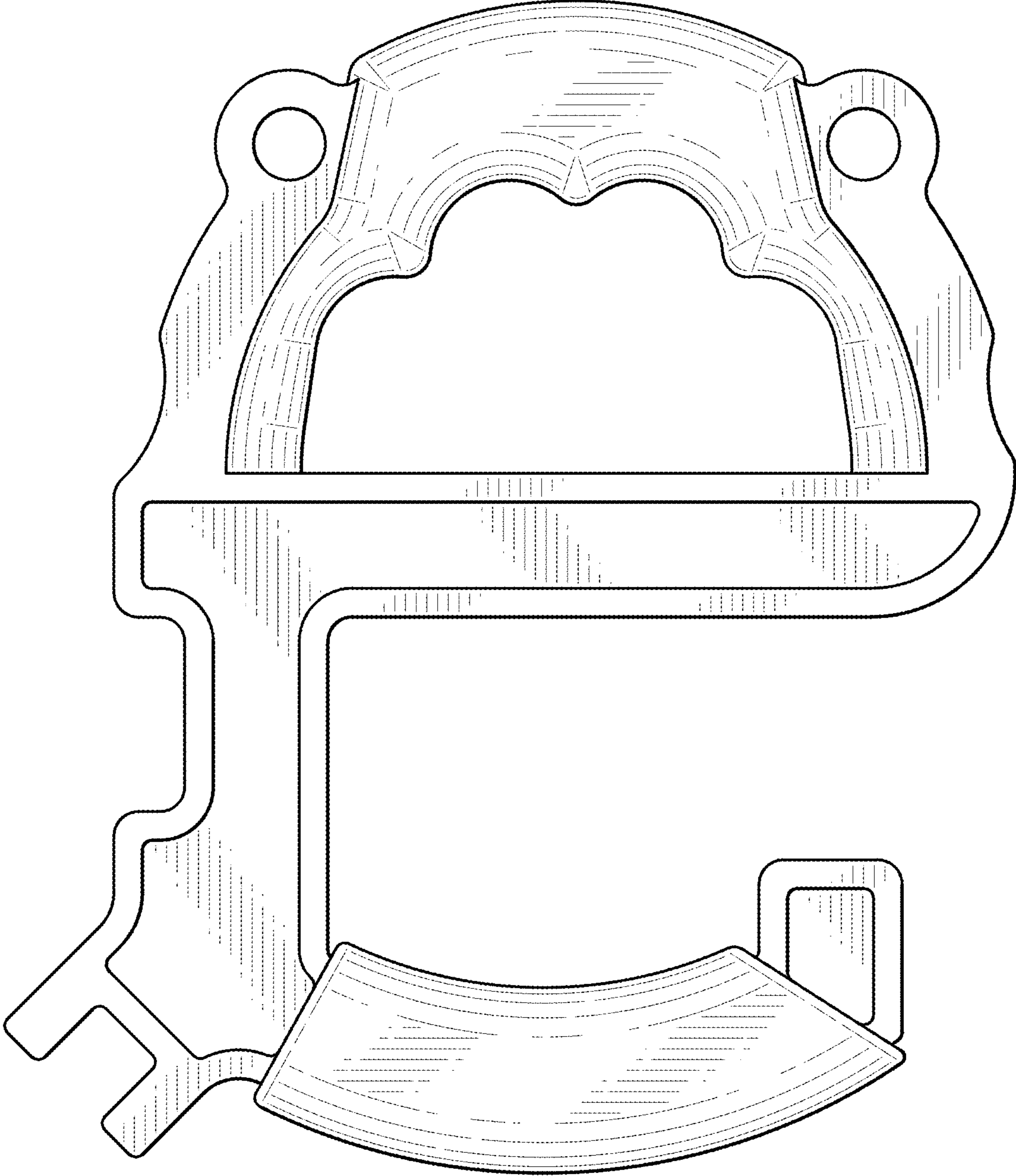


FIG. 2

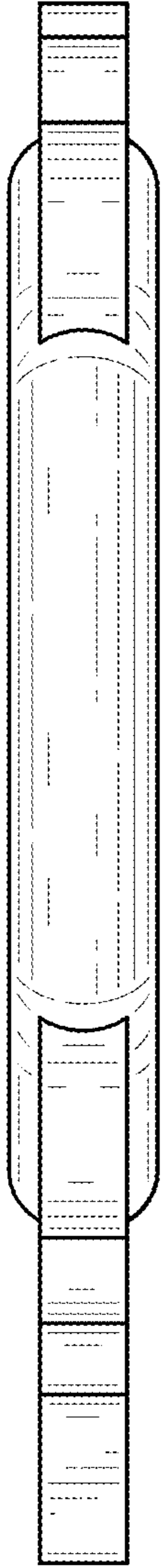


FIG. 3

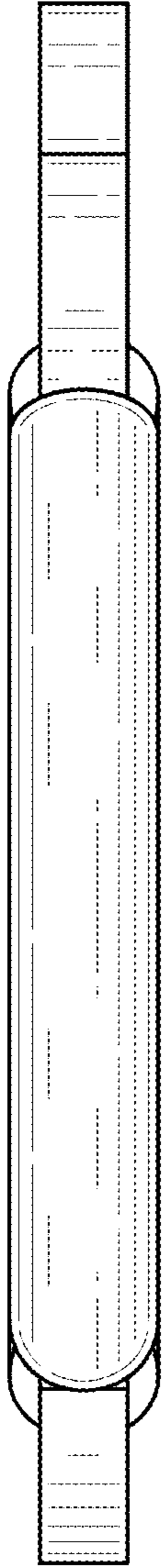


FIG. 4

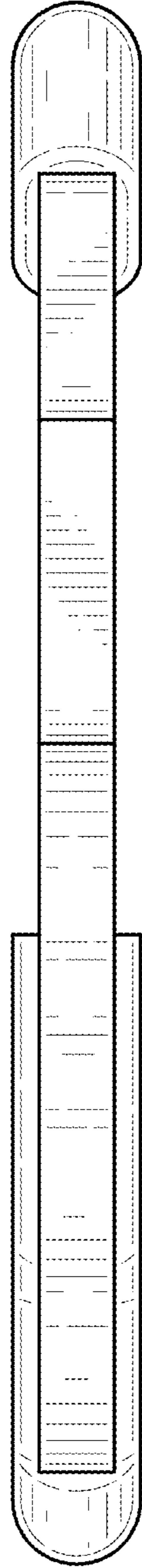


FIG. 5

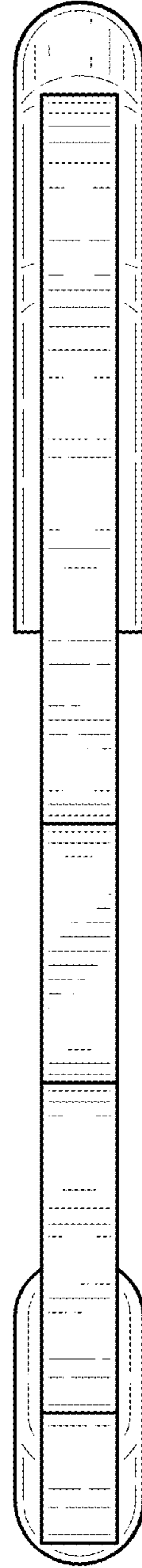


FIG. 6

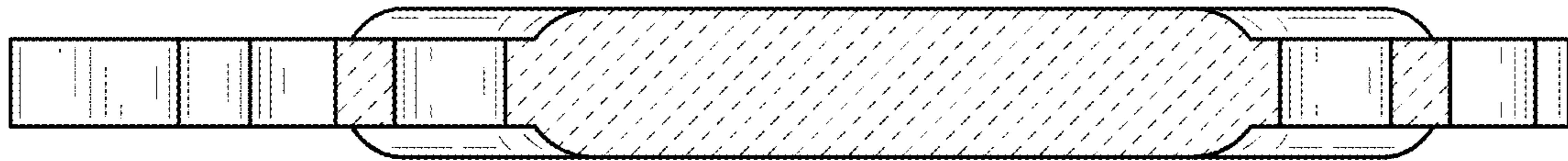


FIG. 7

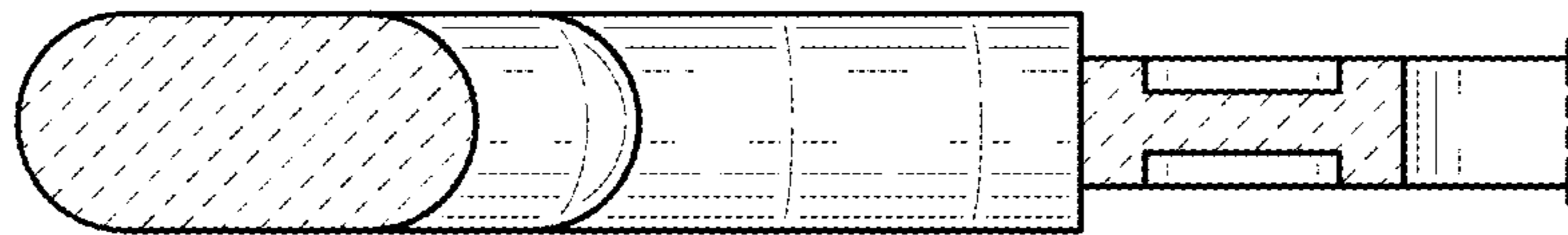


FIG. 8