



US00D980033S

(12) **United States Design Patent**  
**Sherman**

(10) **Patent No.:** **US D980,033 S**  
(45) **Date of Patent:** **\*\* Mar. 7, 2023**

(54) **TABLE SAW JIG**

(71) Applicant: **Woodpeckers, LLC**, Strongsville, OH (US)

(72) Inventor: **Wayne Sherman**, Hinckley, OH (US)

(73) Assignee: **Woodpeckers, LLC**, Strongsville, OH (US)

(\*\*) Term: **15 Years**

(21) Appl. No.: **29/849,004**

(22) Filed: **Aug. 8, 2022**

(51) **LOC (14) Cl.** ..... **08-05**

(52) **U.S. Cl.**  
USPC ..... **D8/71; D8/354**

(58) **Field of Classification Search**  
USPC ..... **D8/14, 70, 71, 106, 354, 355; D15/78**  
(Continued)

(56) **References Cited**

**U.S. PATENT DOCUMENTS**

438,350 A \* 10/1890 Kingsbury ..... B43L 7/005  
33/418  
755,318 A \* 3/1904 Schofield ..... B23D 63/003  
76/74

(Continued)

**FOREIGN PATENT DOCUMENTS**

WO 2010020006 A1 2/2010

**OTHER PUBLICATIONS**

Magswitch Ultimate Thin Stock Jig Rip Guide—Tool Attachment for use with the Magswitch Workholding System; Magswitch; Amazon.com; Nov. 15, 2011; accessed Nov. 14, 2022; URL:< <https://www.amazon.com/Magswitch-Ultimate-Thin-Stock-Guide/dp/B004IOAF6S> > (Year: 2011).\*

(Continued)

*Primary Examiner* — Rachel A. Voorhies

*Assistant Examiner* — Benjamin D. Wannemacher

(74) *Attorney, Agent, or Firm* — Sand, Sebolt & Wernow Co., LPA

(57) **CLAIM**

The ornamental design for a table saw jig, as shown and described.

**DESCRIPTION**

FIG. 1 is a front, first side, top isometric perspective view of a table saw jig in accordance with my design, wherein the table saw jig is provided in a first configuration;

FIG. 2 is a front elevation view of table saw jig as shown in FIG. 1;

FIG. 3 is a rear elevation view of table saw jig as shown in FIG. 1;

FIG. 4 is a first side elevation view of table saw jig as shown in FIG. 1;

FIG. 5 is a second side elevation view of table saw jig as shown in FIG. 1;

FIG. 6 is a top plan view of table saw jig as shown in FIG. 1;

FIG. 7 is a bottom plan view of table saw jig as shown in FIG. 1;

FIG. 8 is a cross-section view of table saw jig looking in the direction of line 8-8 shown in FIG. 6;

FIG. 9 is a cross-section view of table saw jig looking in the direction of line 9-9 shown in FIG. 6;

FIG. 10 is a front, first side, top isometric perspective view of table saw jig in accordance with my design shown in FIG. 1, wherein the table saw jig is provided in a second configuration;

FIG. 11 is a front elevation view of table saw jig as shown in FIG. 10;

FIG. 12 is a rear elevation view of table saw jig as shown in FIG. 10;

FIG. 13 is a first side elevation view of table saw jig as shown in FIG. 10;

FIG. 14 is a second side elevation view of table saw jig as shown in FIG. 10;

FIG. 15 is a top plan view of table saw jig as shown in FIG. 10;

(Continued)

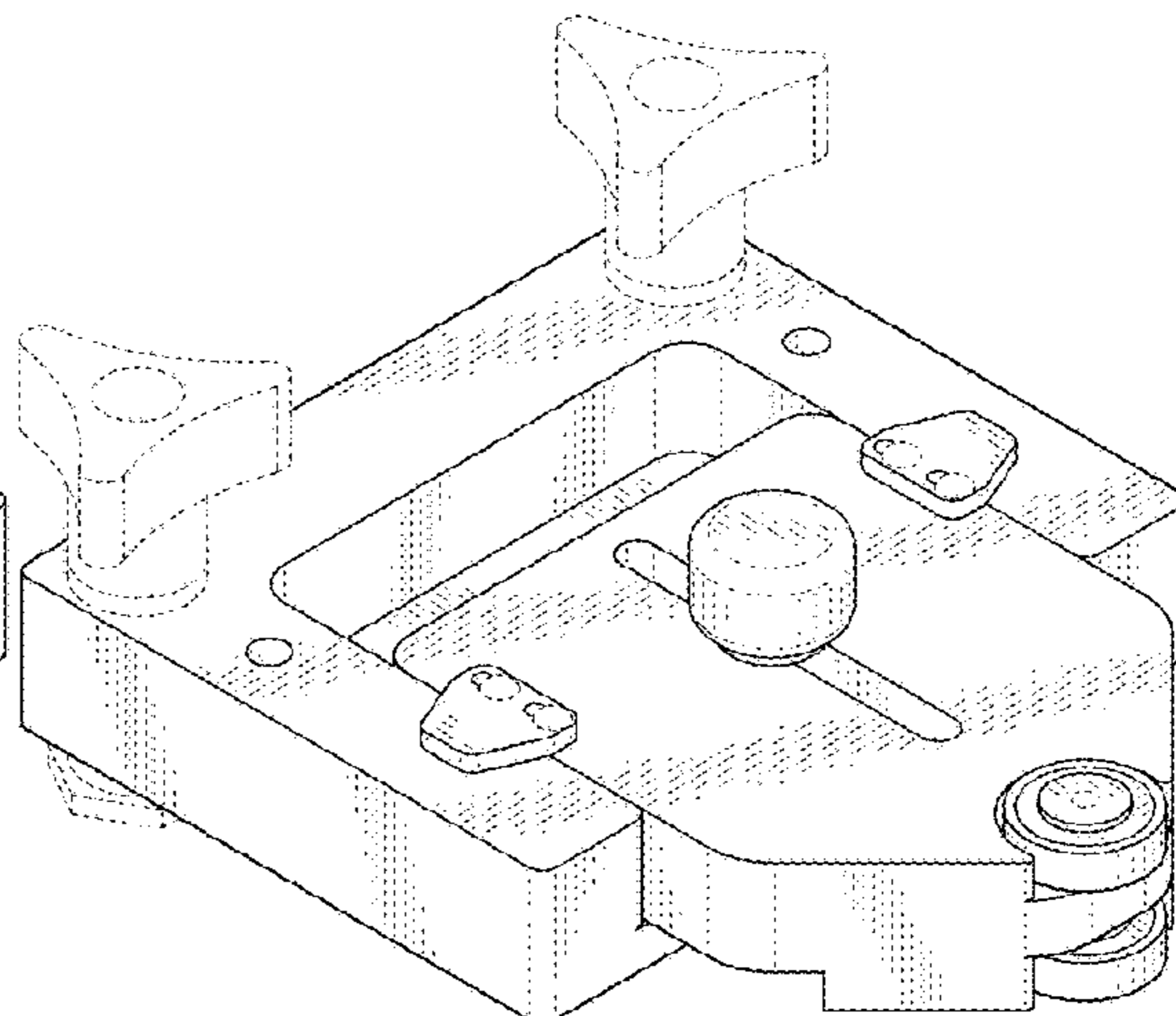
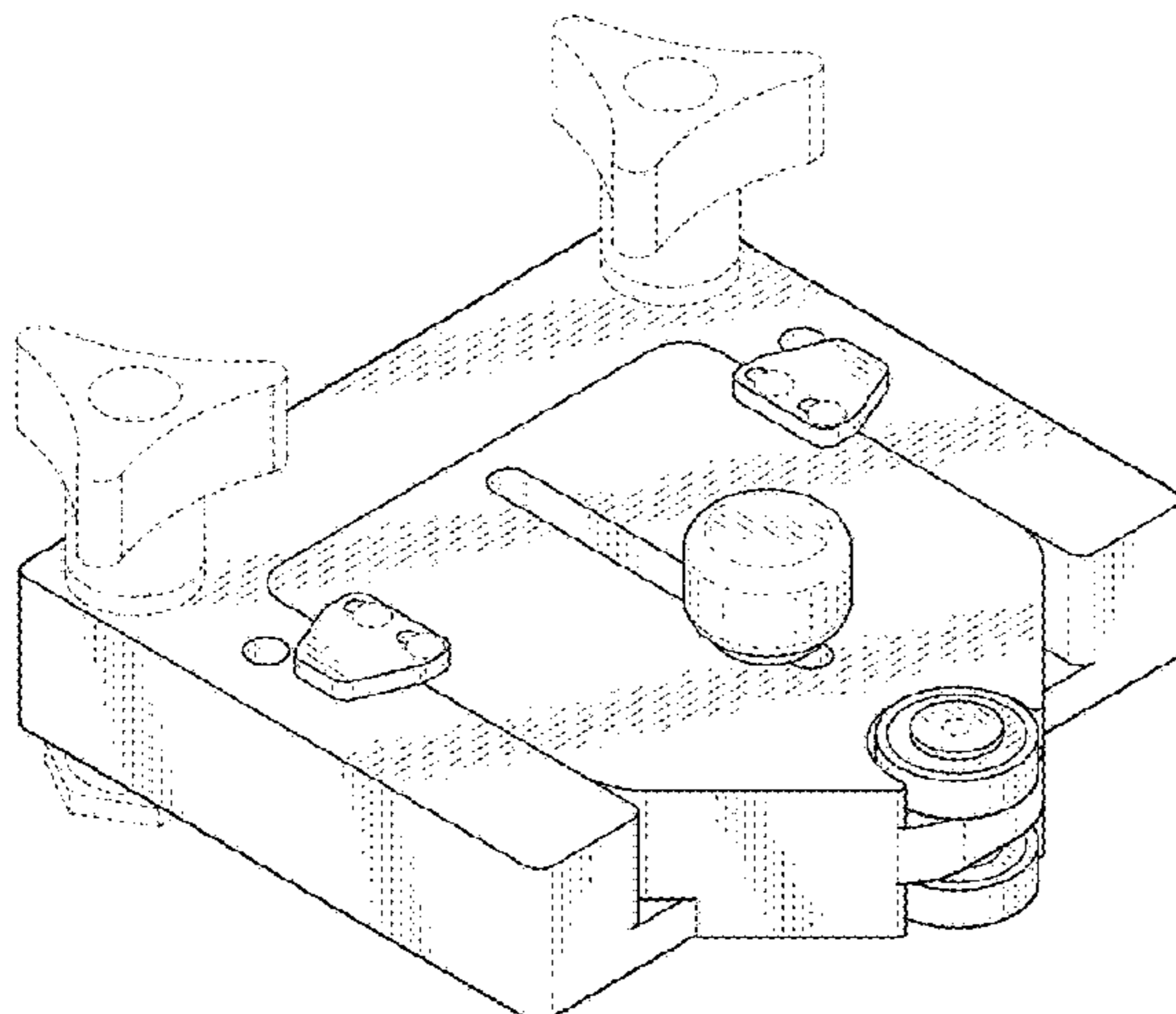


FIG. 16 is a bottom plan view of table saw jig as shown in FIG. 10;  
 FIG. 17 is a cross-section view of table saw jig looking in the direction of line 17-17 shown in FIG. 15;  
 FIG. 18 is a cross-section view of table saw jig looking in the direction of line 18-18 shown in FIG. 15;  
 FIG. 19 is a cross-section view of table saw jig looking in the direction of line 19-19 shown in FIG. 15;  
 FIG. 20 is a cross-section view of table saw jig looking in the direction of line 20-20 shown in FIG. 16; and,  
 FIG. 21 is a partial cross-section view of table saw jig looking in the direction of line 21-21 shown in FIG. 15.  
 The broken lines illustrate portions of the table saw jig which form no part of the claimed design.

**1 Claim, 14 Drawing Sheets**

(58) **Field of Classification Search**

CPC ..... B23Q 9/0071; B23Q 9/0078  
 See application file for complete search history.

(56) **References Cited**

U.S. PATENT DOCUMENTS

2,783,793	A *	3/1957	Prince .....	B23D 55/04 83/441.1
2,888,708	A *	6/1959	Seidner .....	E05D 15/063 16/105
2,970,203	A *	1/1961	Sanner .....	B21C 37/08 219/61.3
4,719,823	A *	1/1988	Pyle .....	B23D 63/162 76/36

D362,608	S *	9/1995	Hewitt .....	D8/71
6,752,059	B1 *	6/2004	Posont .....	B23Q 9/005 83/761
D651,884	S *	1/2012	Jansson .....	B24B 3/36 D8/71
D760,827	S *	7/2016	May .....	D15/145
D950,360	S *	5/2022	Wu .....	B21C 37/08 D8/354
D965,032	S *	9/2022	Crow .....	B23Q 9/0078 D15/78
2020/0263441	A1 *	8/2020	Miller .....	B23Q 9/0078
2022/0063124	A1 *	3/2022	Raczki .....	B27B 25/10
2022/0072670	A1 *	3/2022	Earls .....	B27B 17/0083
2022/0258372	A1 *	8/2022	McGehee .....	B26D 5/12

OTHER PUBLICATIONS

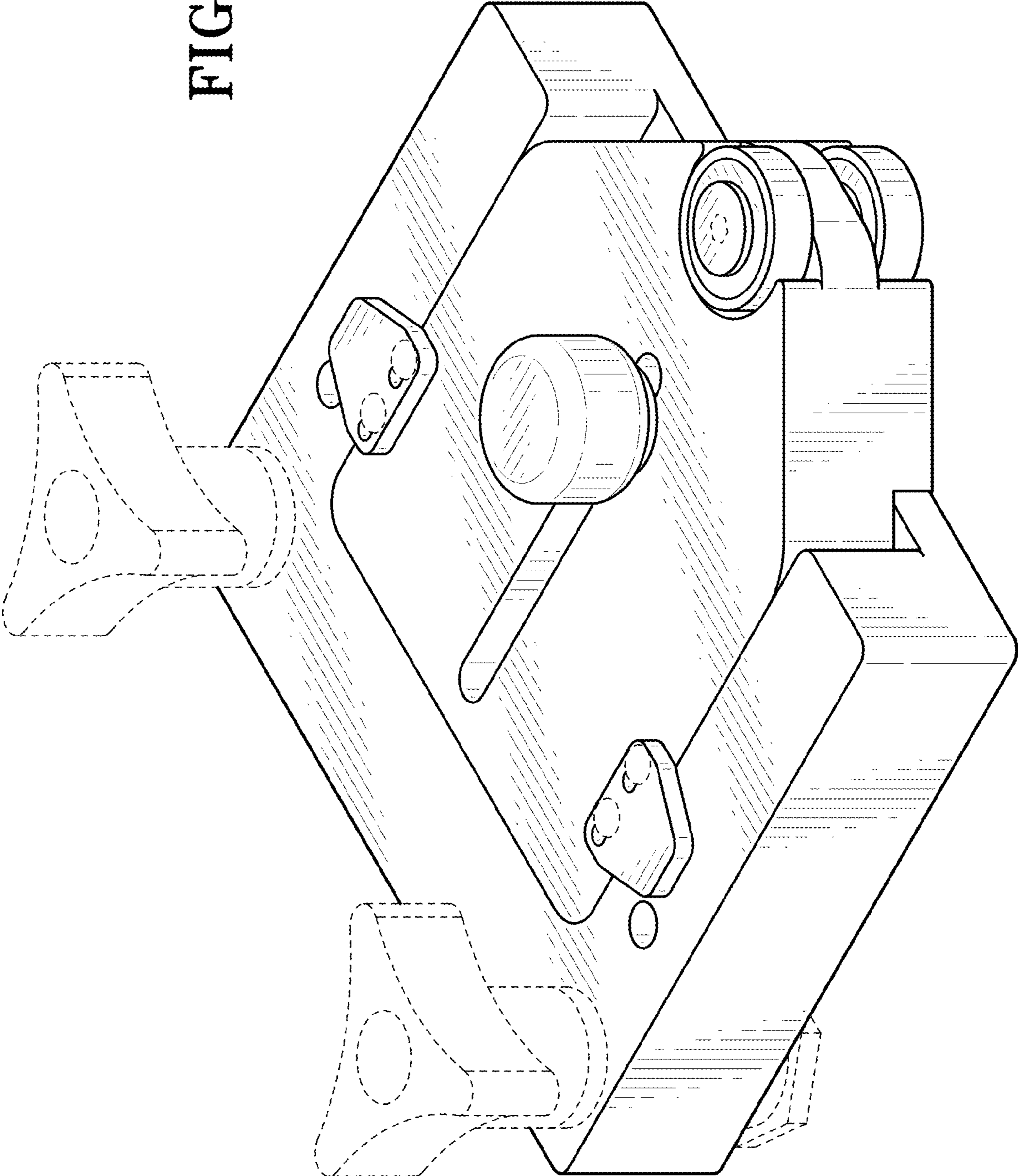
Thin Rip Table Saw Jig; Fratzel; Wayback Machine of homeconstructionimprovement.com; Mar. 1, 2014; accessed Nov. 15, 2022; URL:< <https://web.archive.org/web/20140301131008/http://www.homeconstructionimprovement.com/thin-rip-table-saw-jig> > (Year: 2014).\*

DCT Woodworking Thin Rip Table Saw Jig Guide Tool for Router or Band Saw Cutting Wood/Ripping Chair Slates, Cabinet; Deadwood Crafted Tools; Amazon.com; Dec. 29, 2017; accessed Nov. 14, 2022; URL:< <https://www.amazon.com/dp/B078PSYMB8/> > (Year: 2017).\*

Woodworking Table Saw Fast Cutting Limit Fence, Workbench T Track Adjustable Positioning Fixing Tool With Sliding Roller, Thin-Rip Tablesaw Jig Table Saw Router Cutting Wood Board Fixed Tool (1Pc); Cdiytool; Amazon.com; Jul. 15, 2022; accessed Nov. 14, 2022; URL:< <https://www.amazon.com/dp/B0B6MVR4YV/> > (Year: 2022).\*

\* cited by examiner

FIG. 1



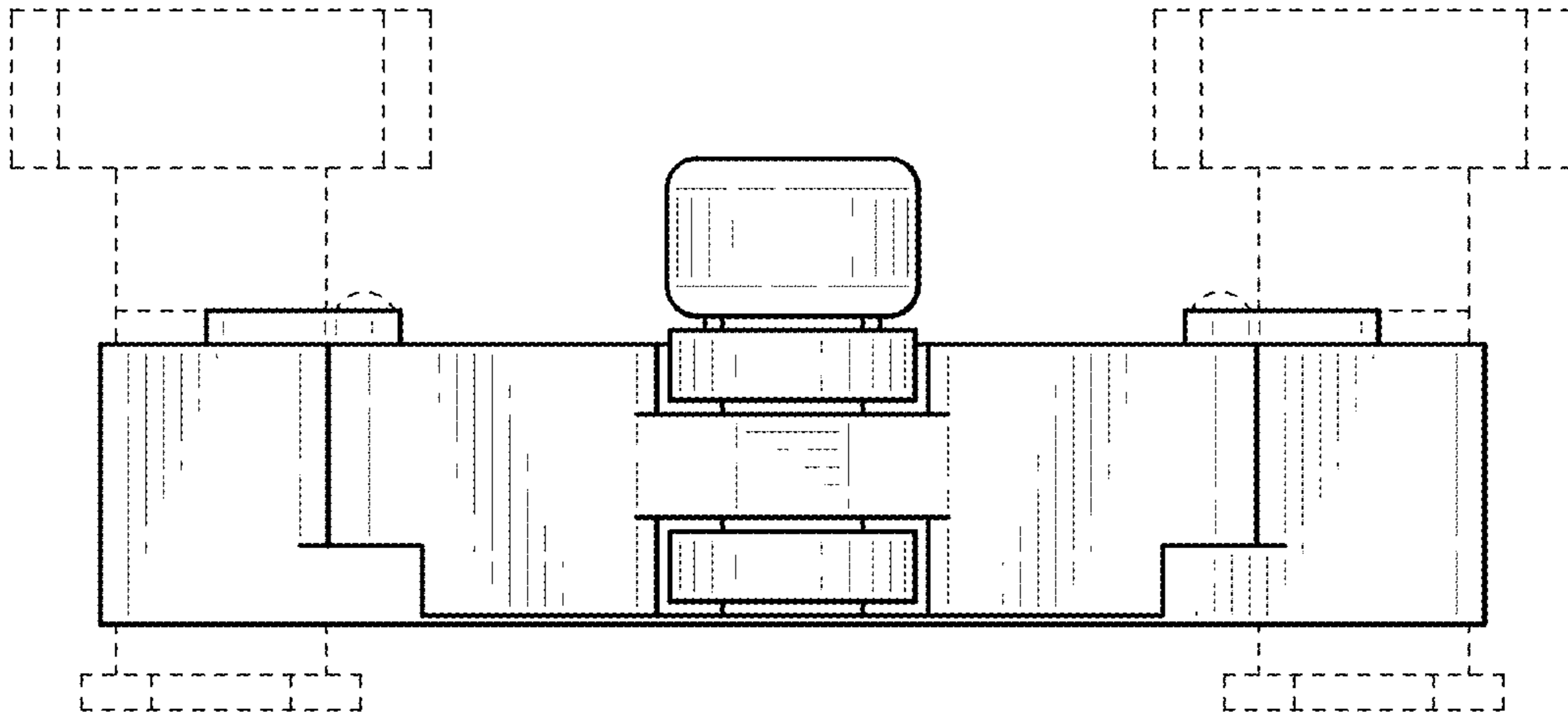


FIG. 2

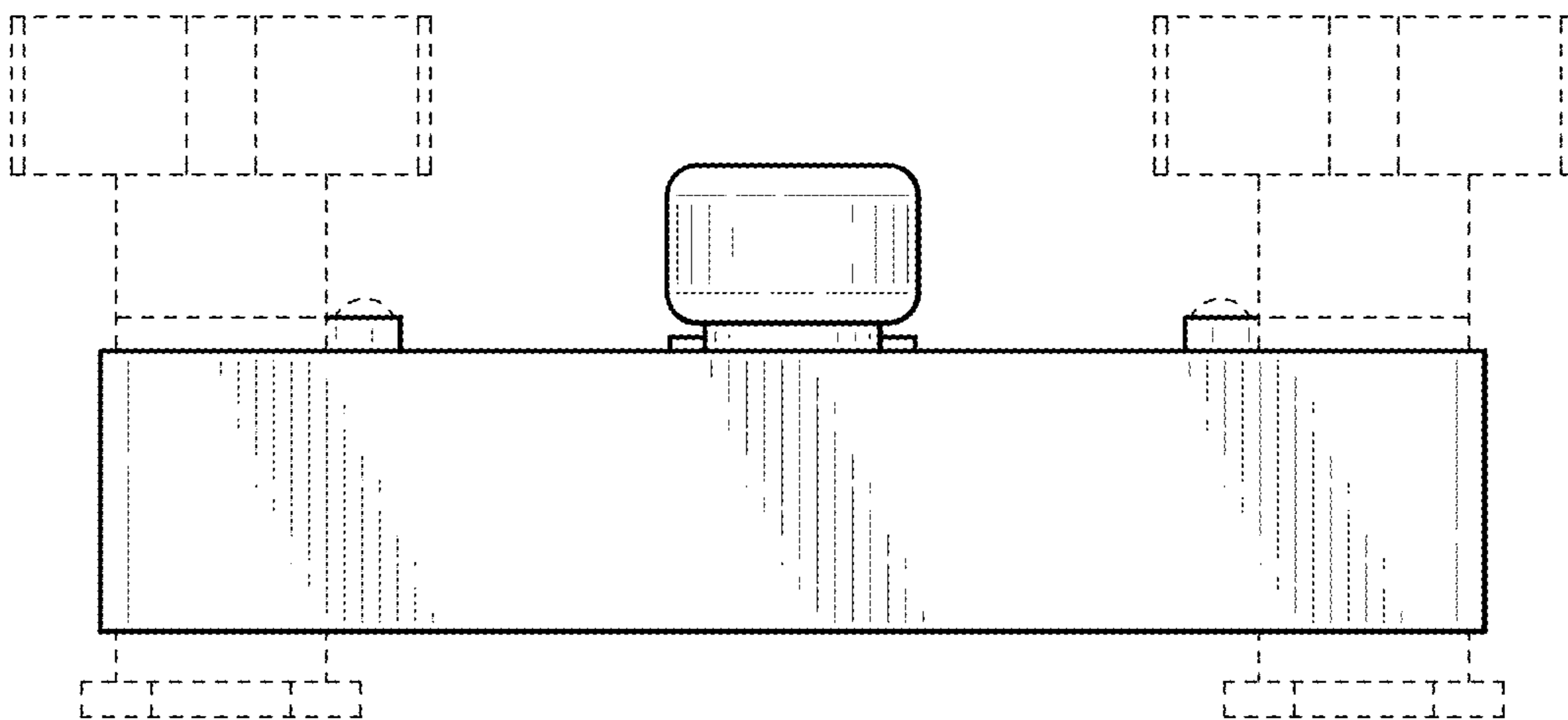


FIG. 3

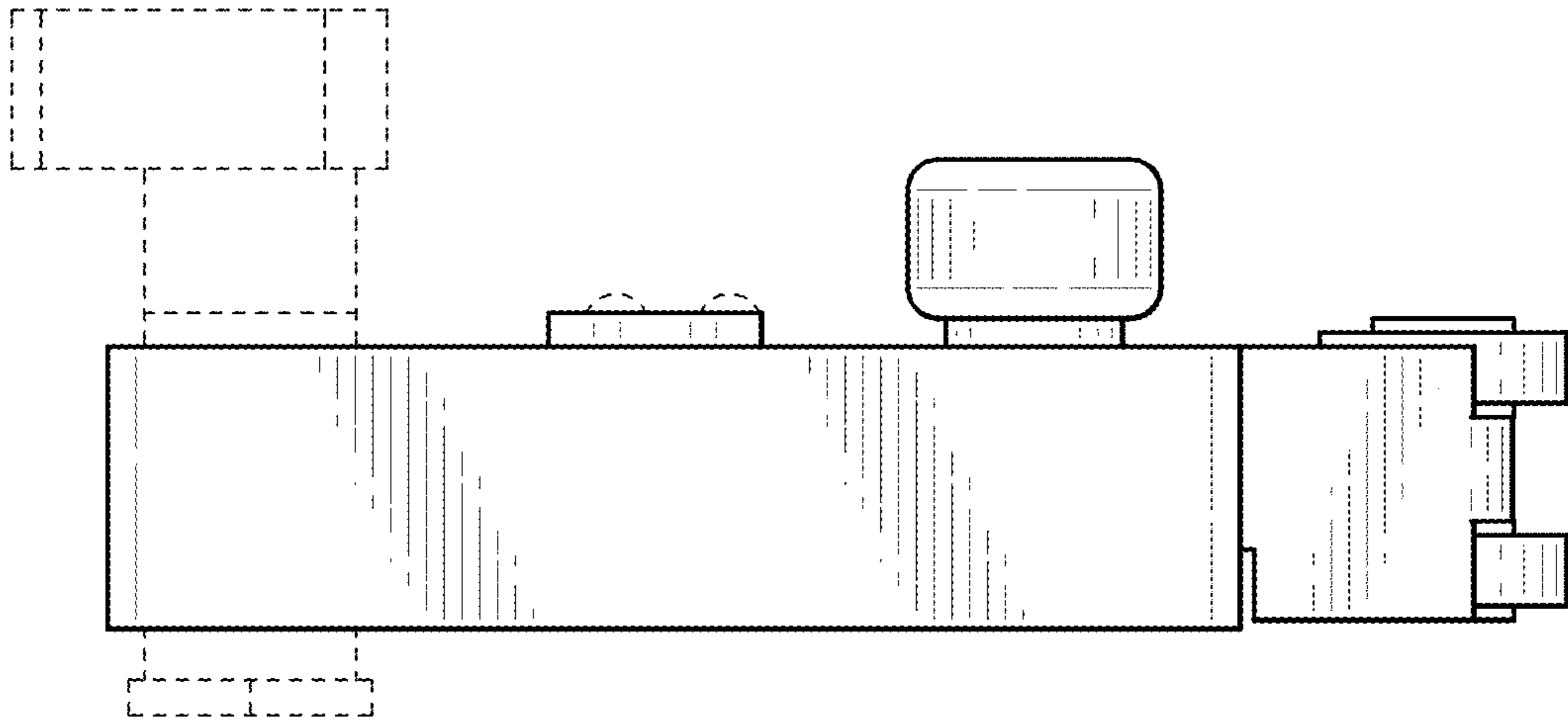


FIG. 4

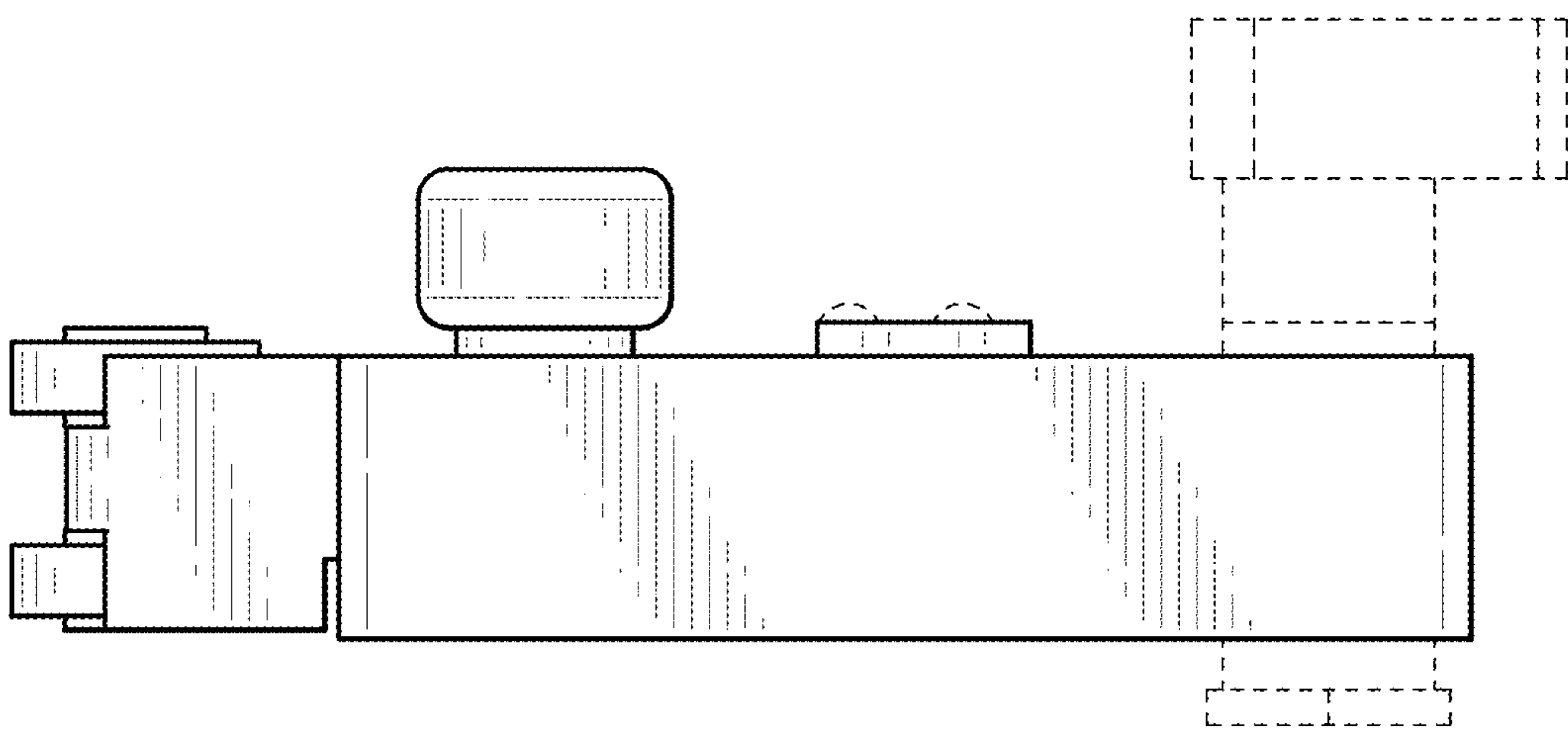


FIG. 5

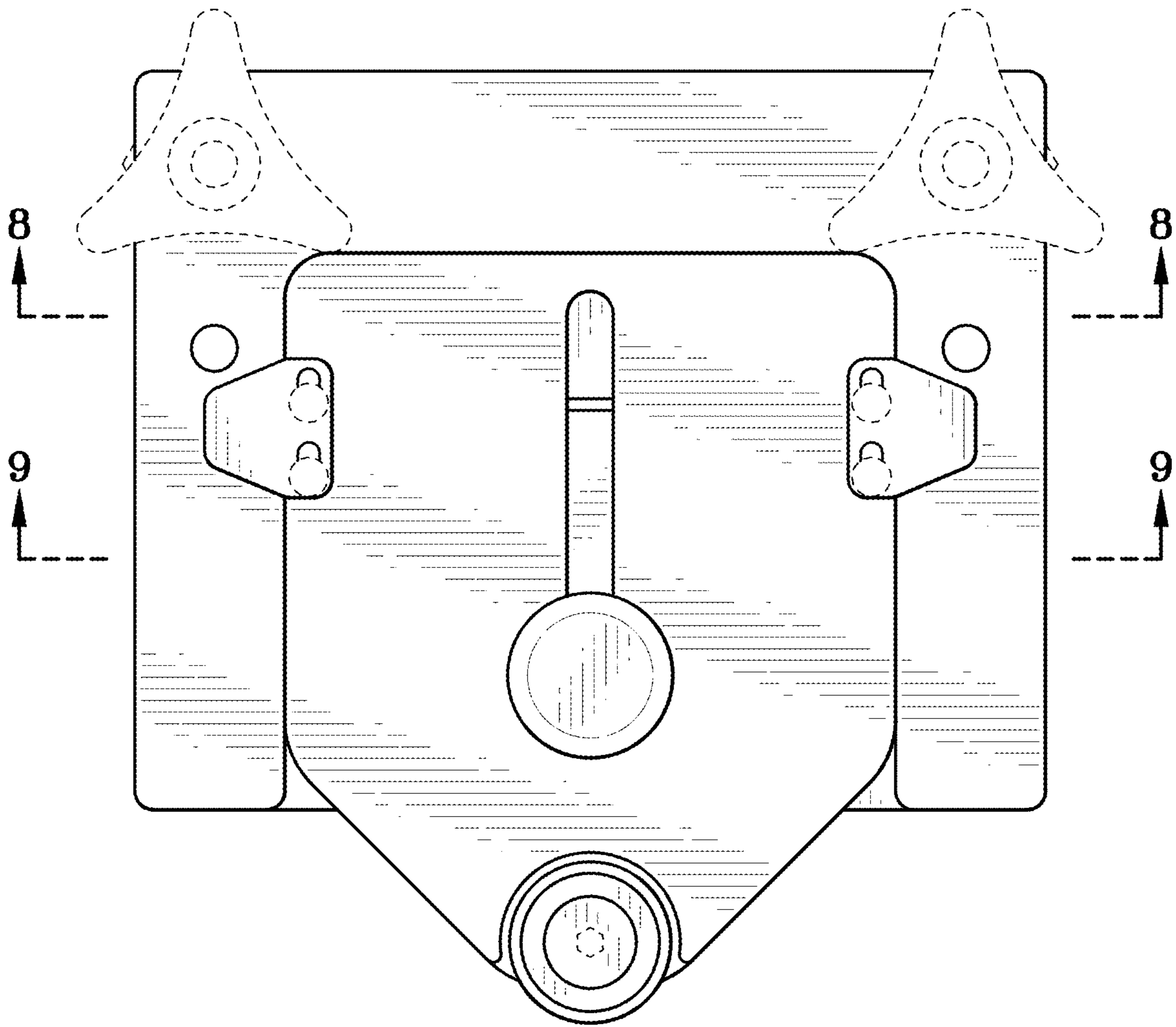


FIG. 6

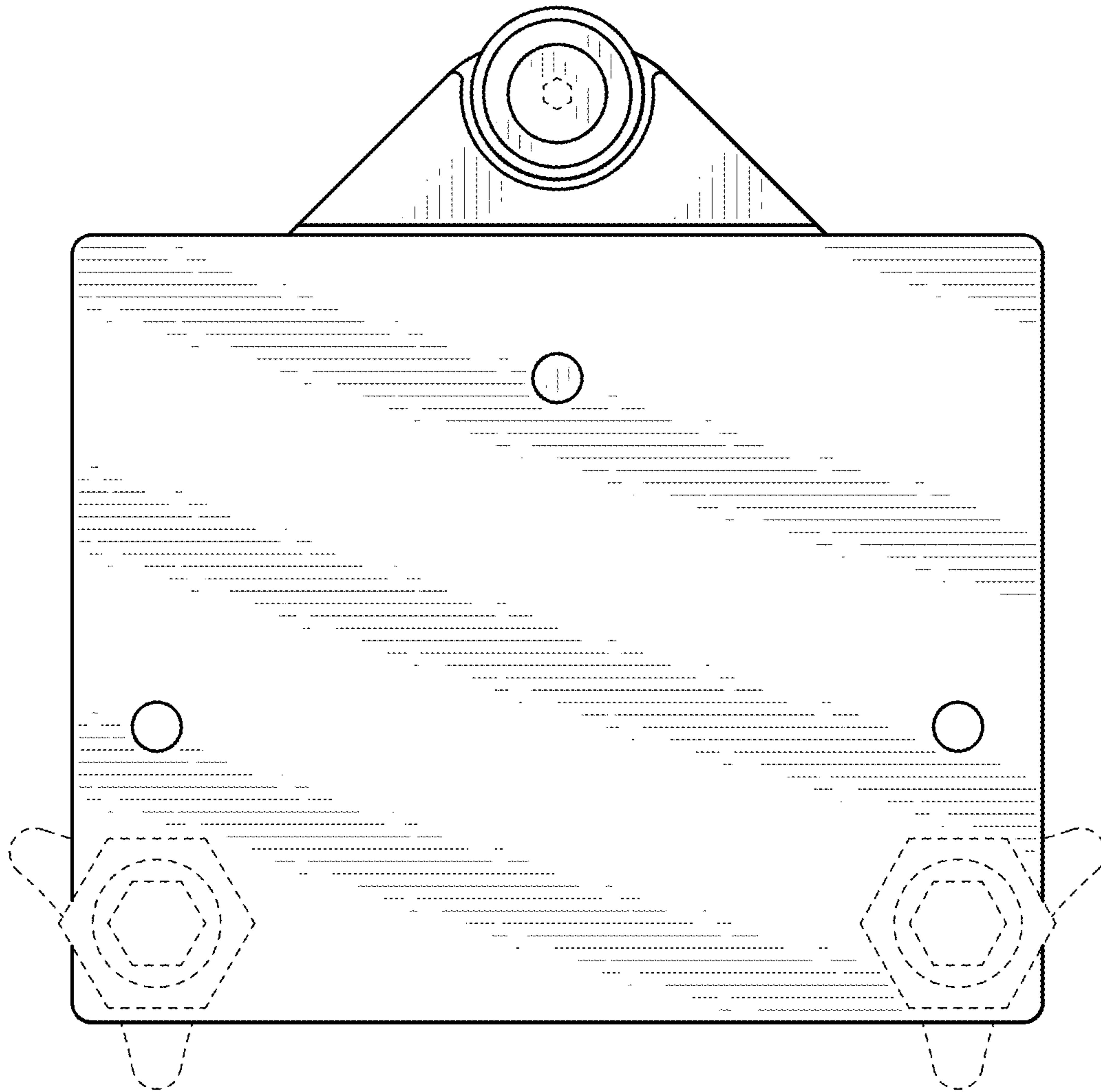


FIG. 7

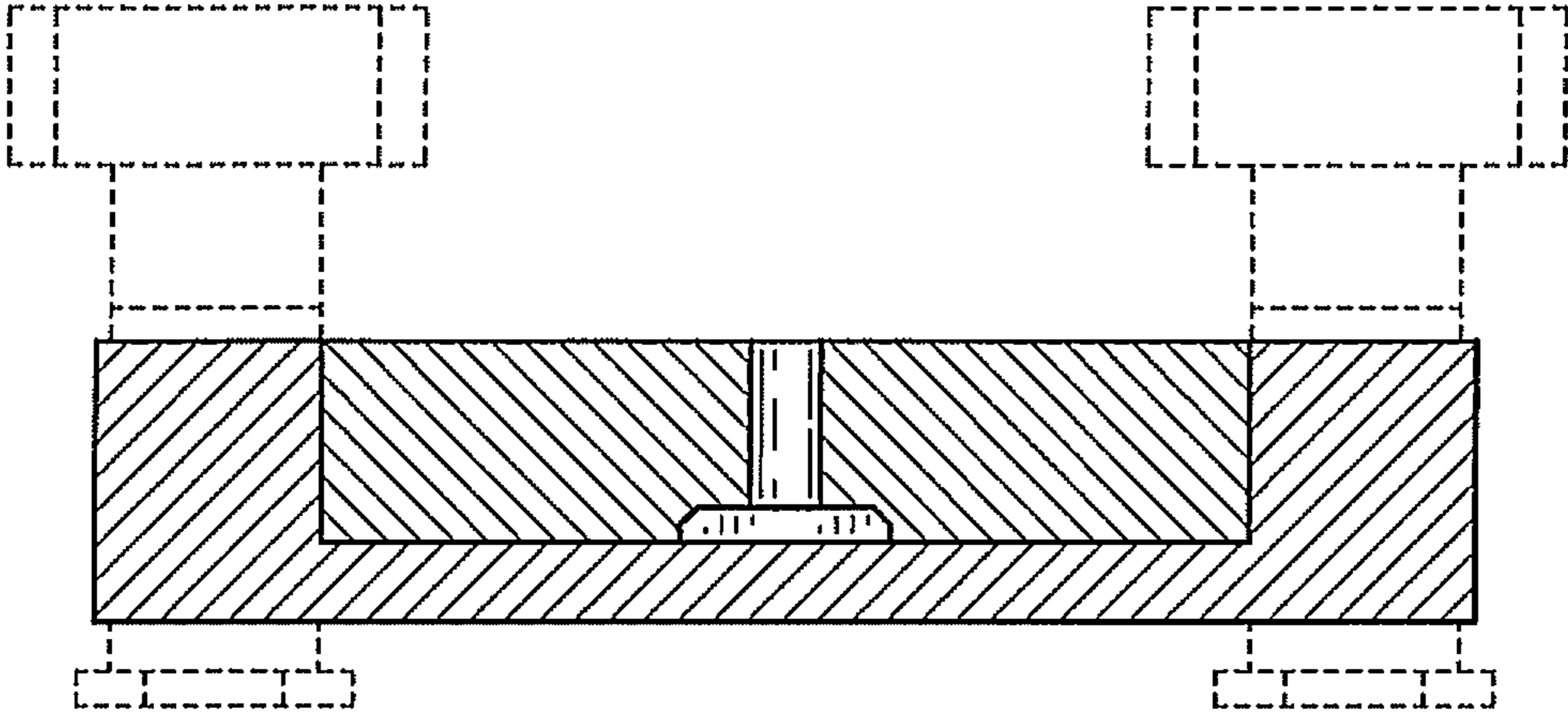


FIG.8

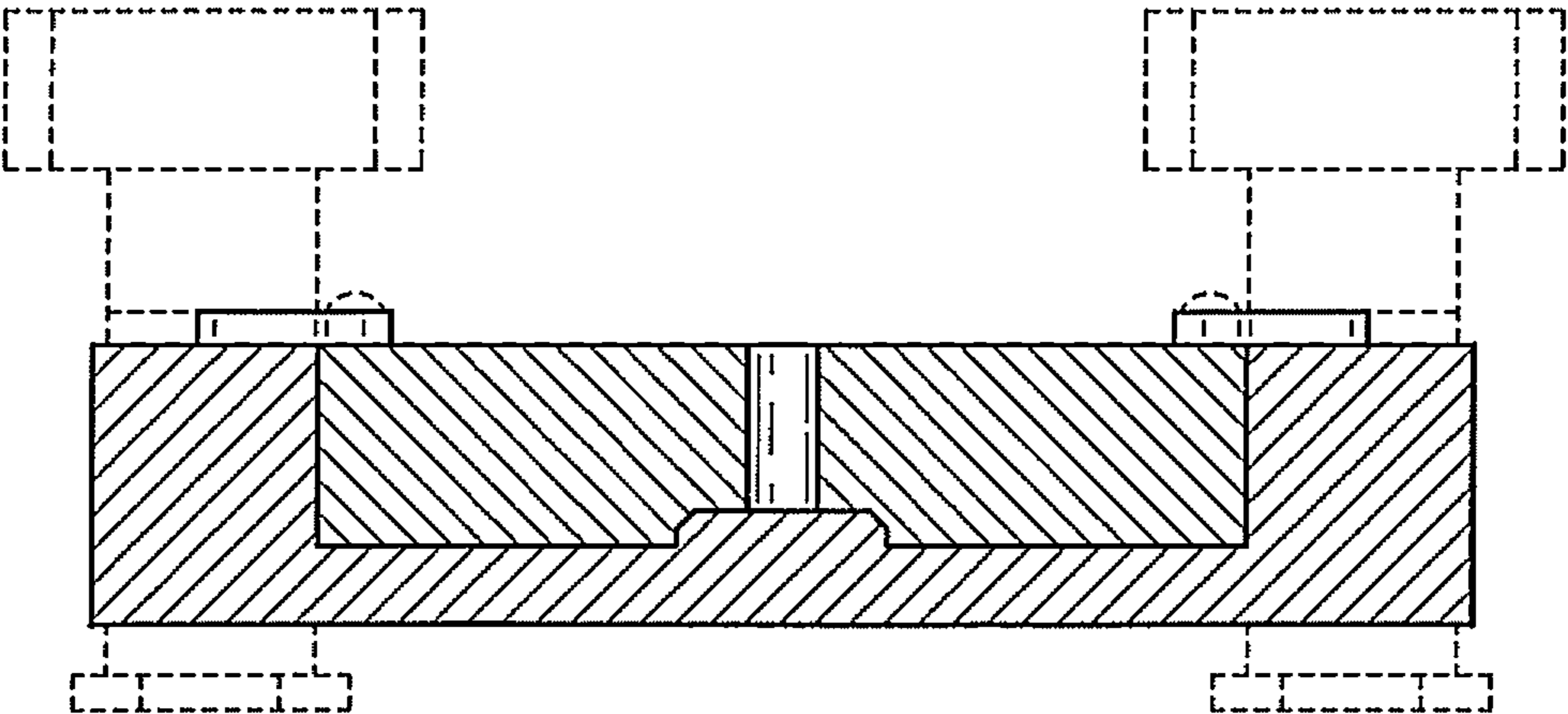
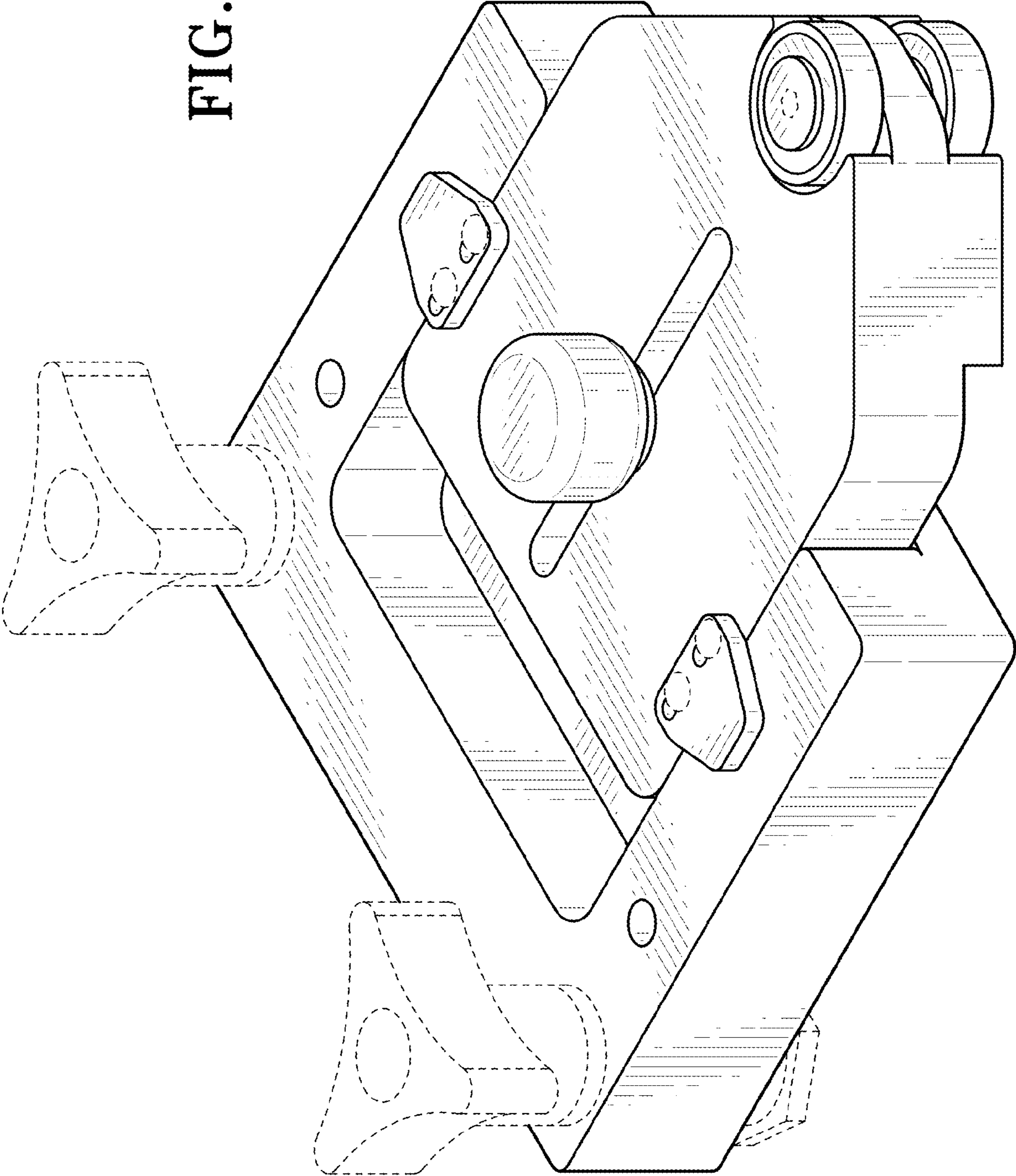


FIG.9



FIG. 10



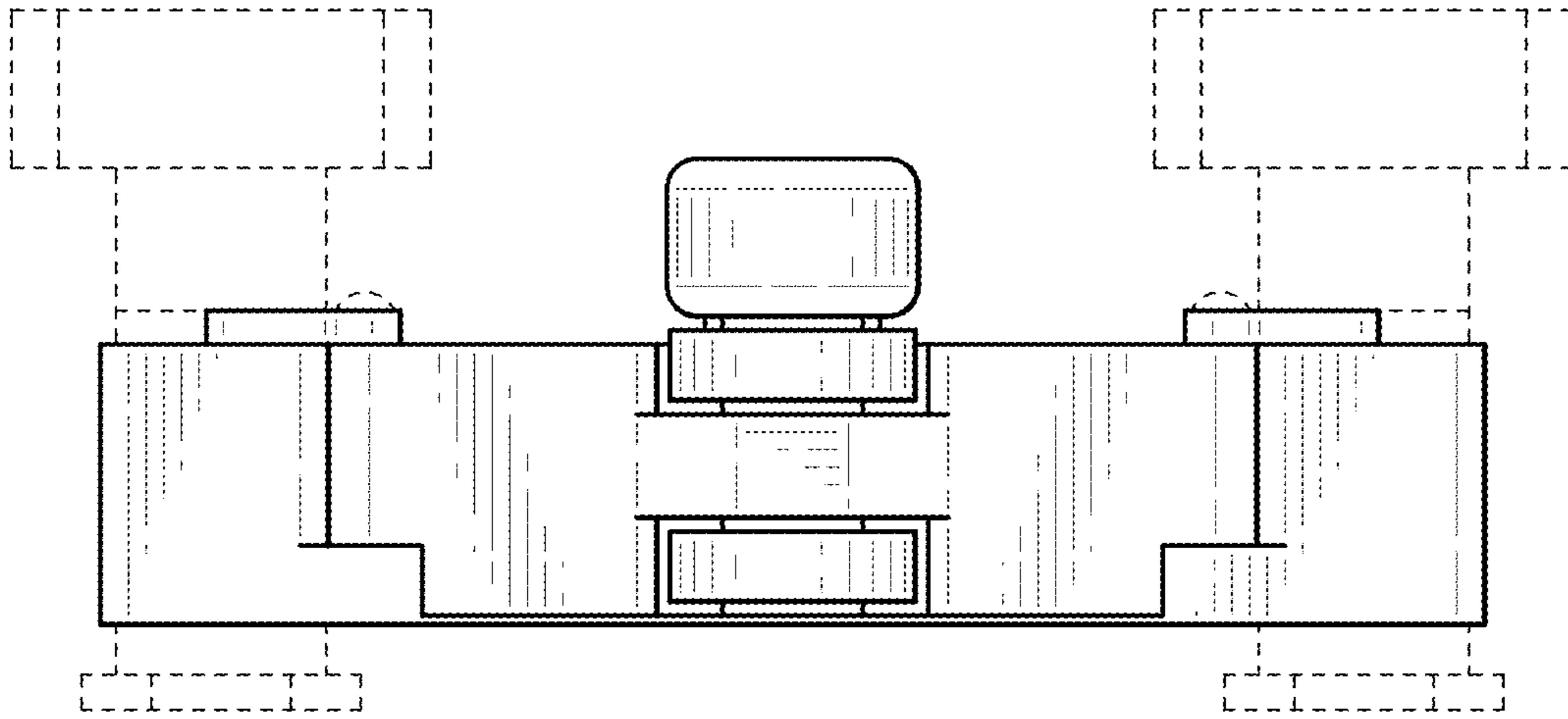


FIG. 11

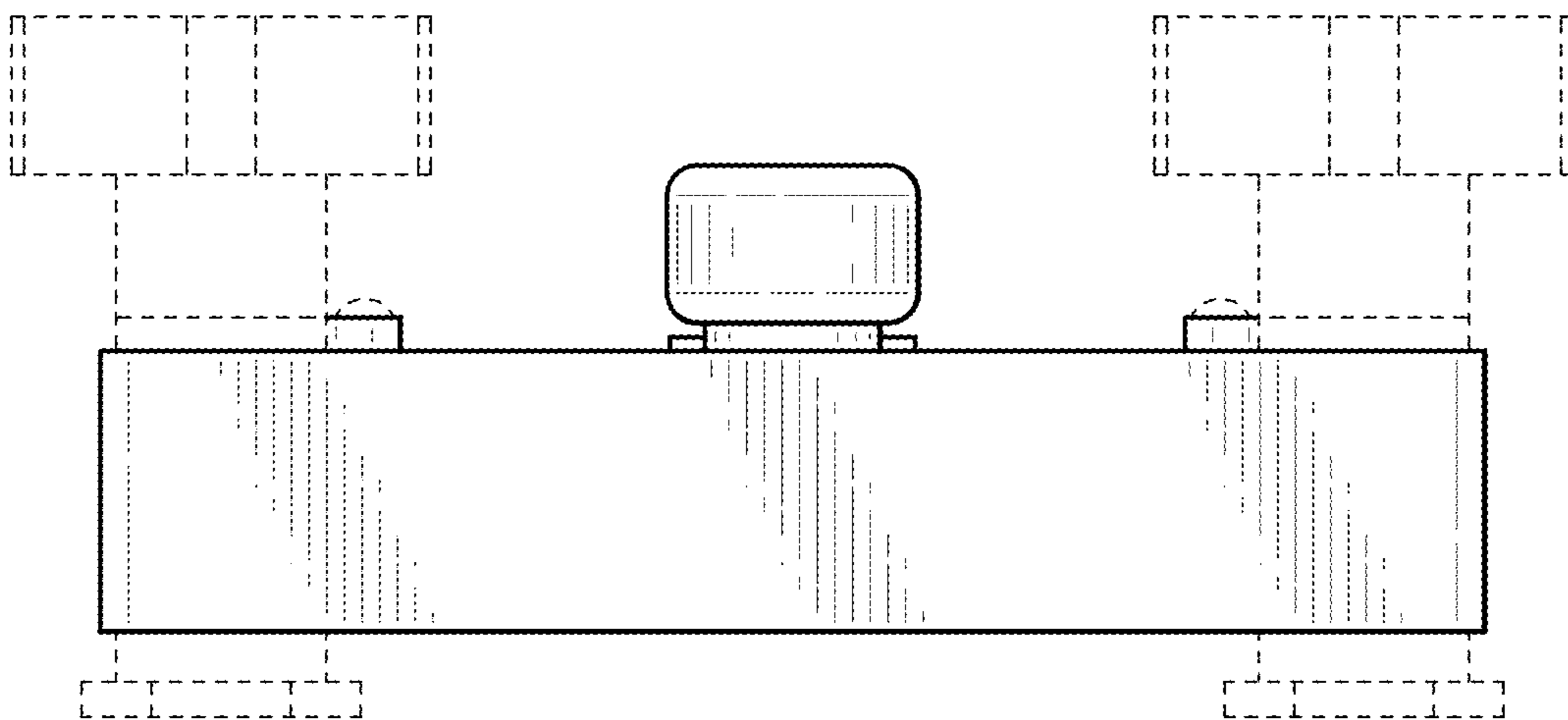


FIG. 12

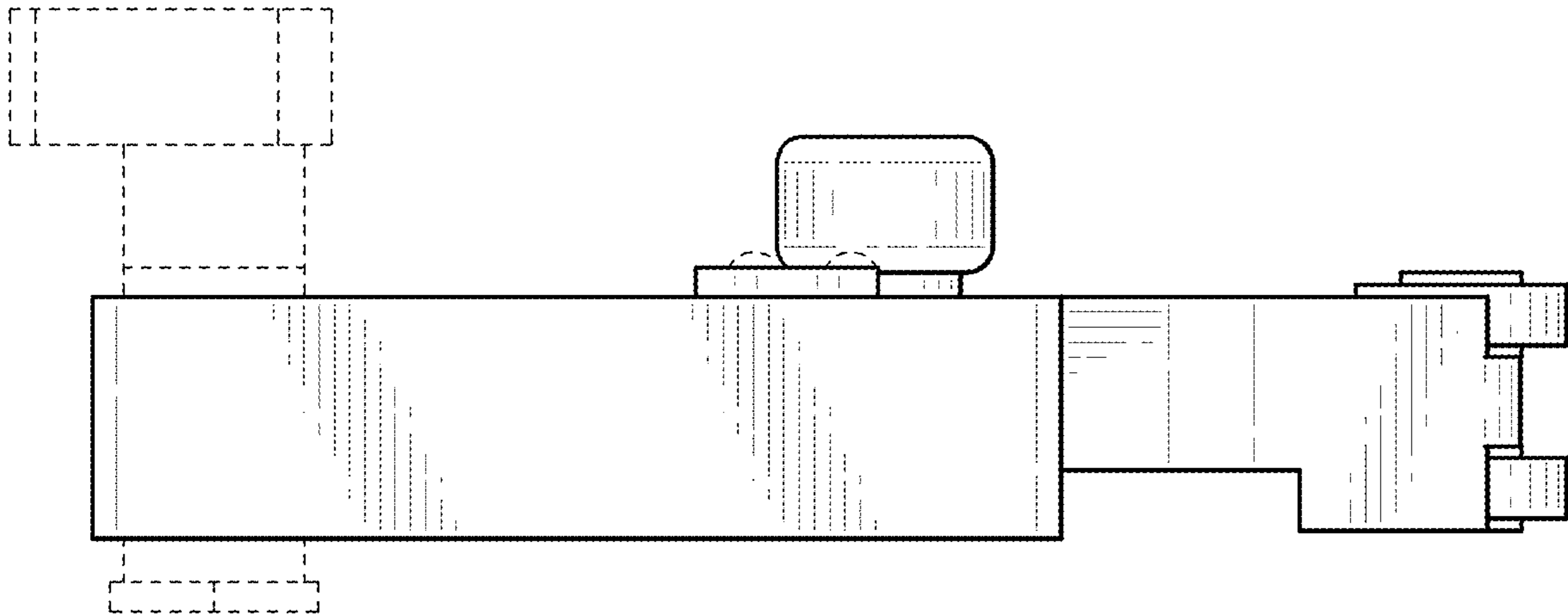


FIG. 13

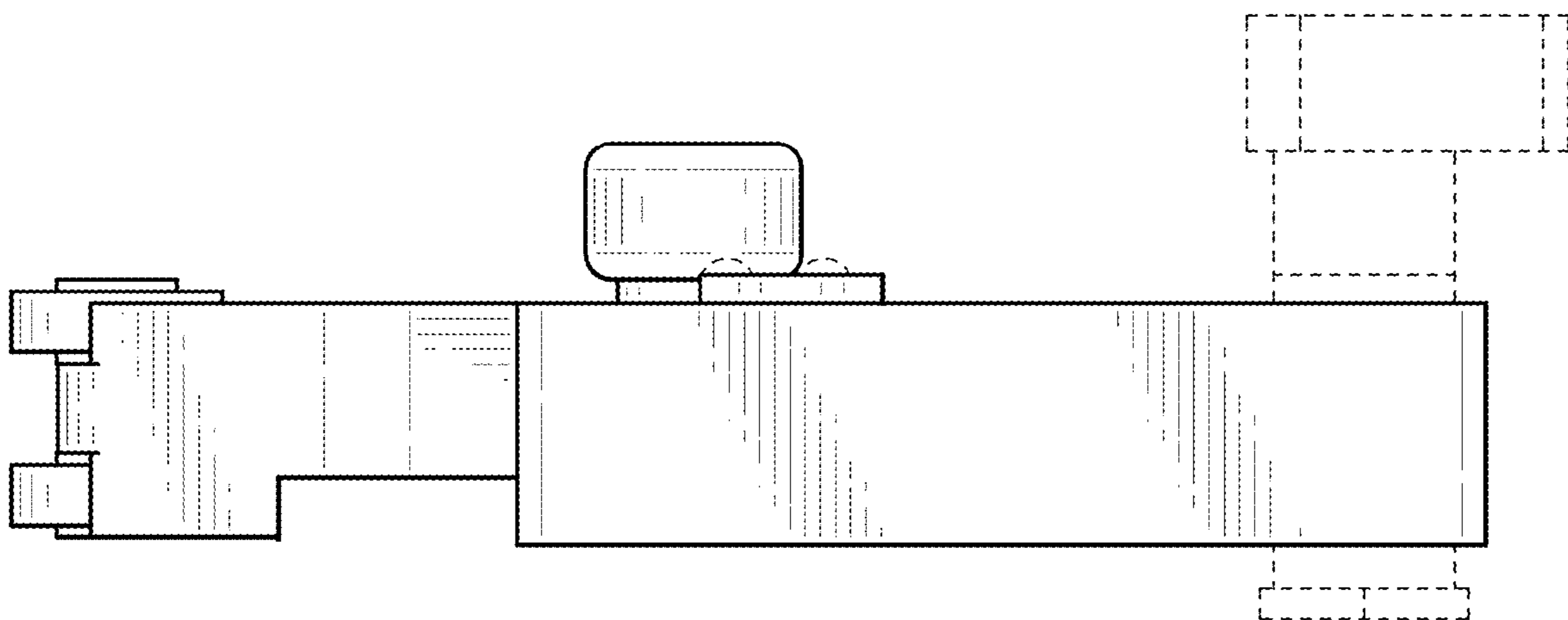


FIG. 14

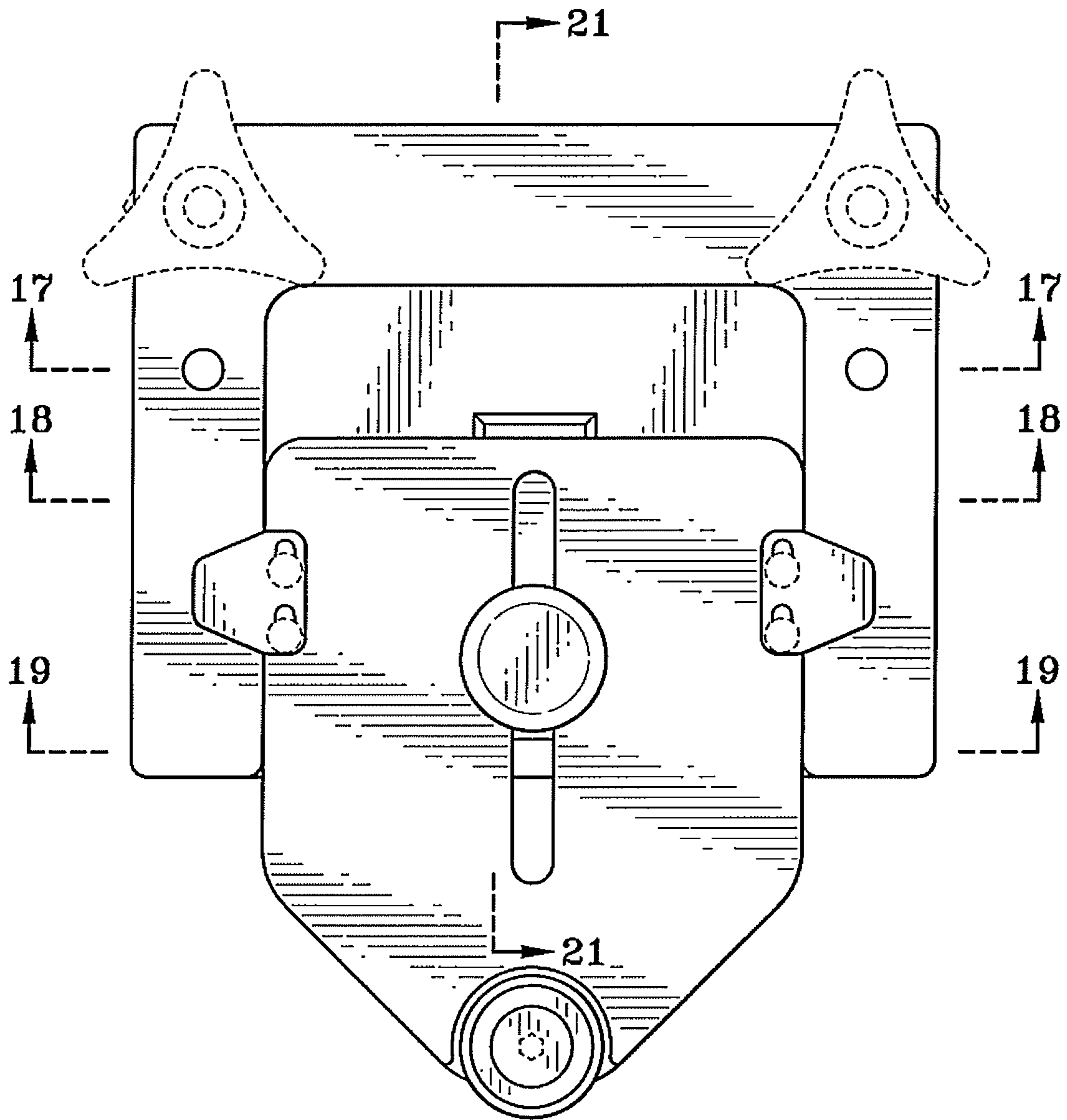


FIG. 15

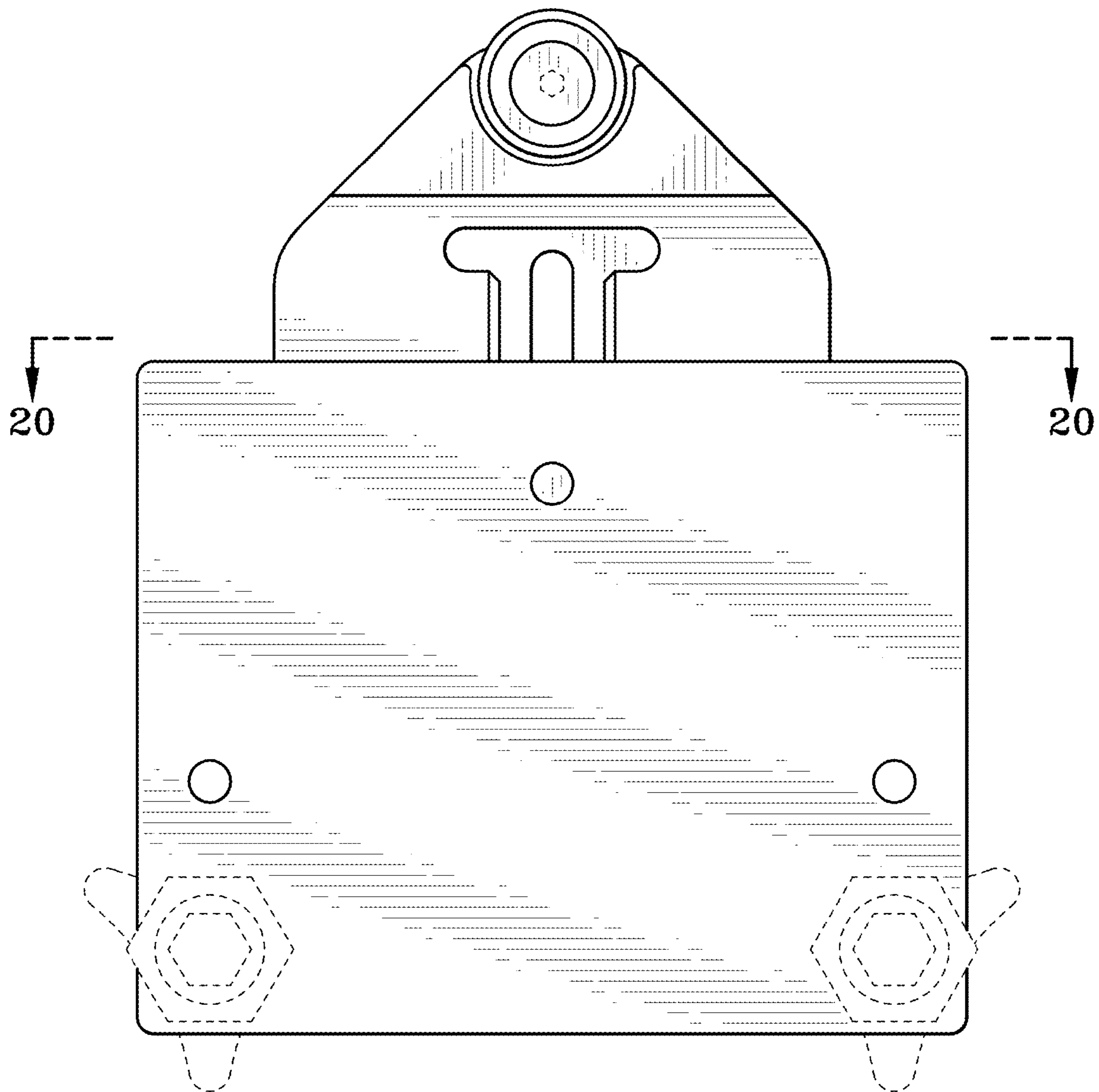


FIG. 16

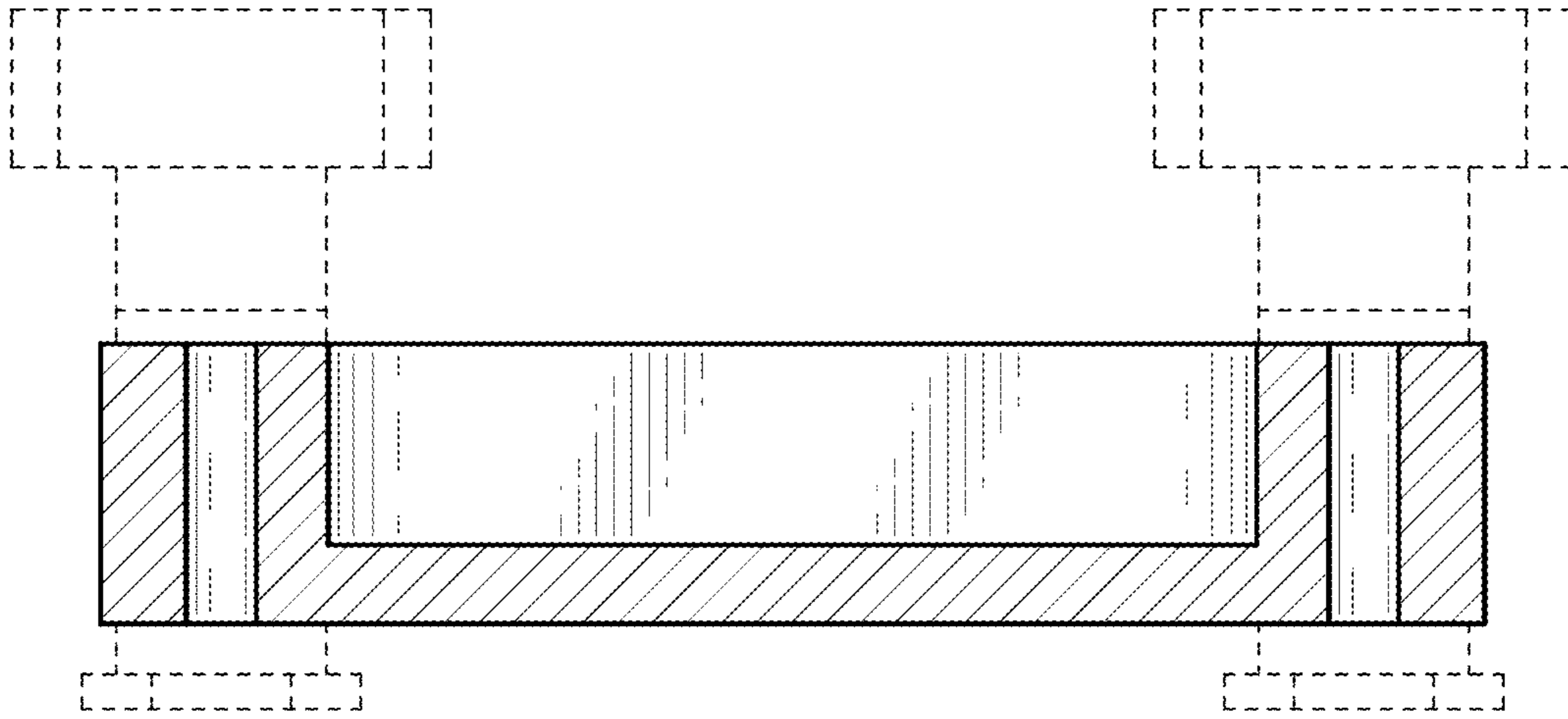


FIG. 17

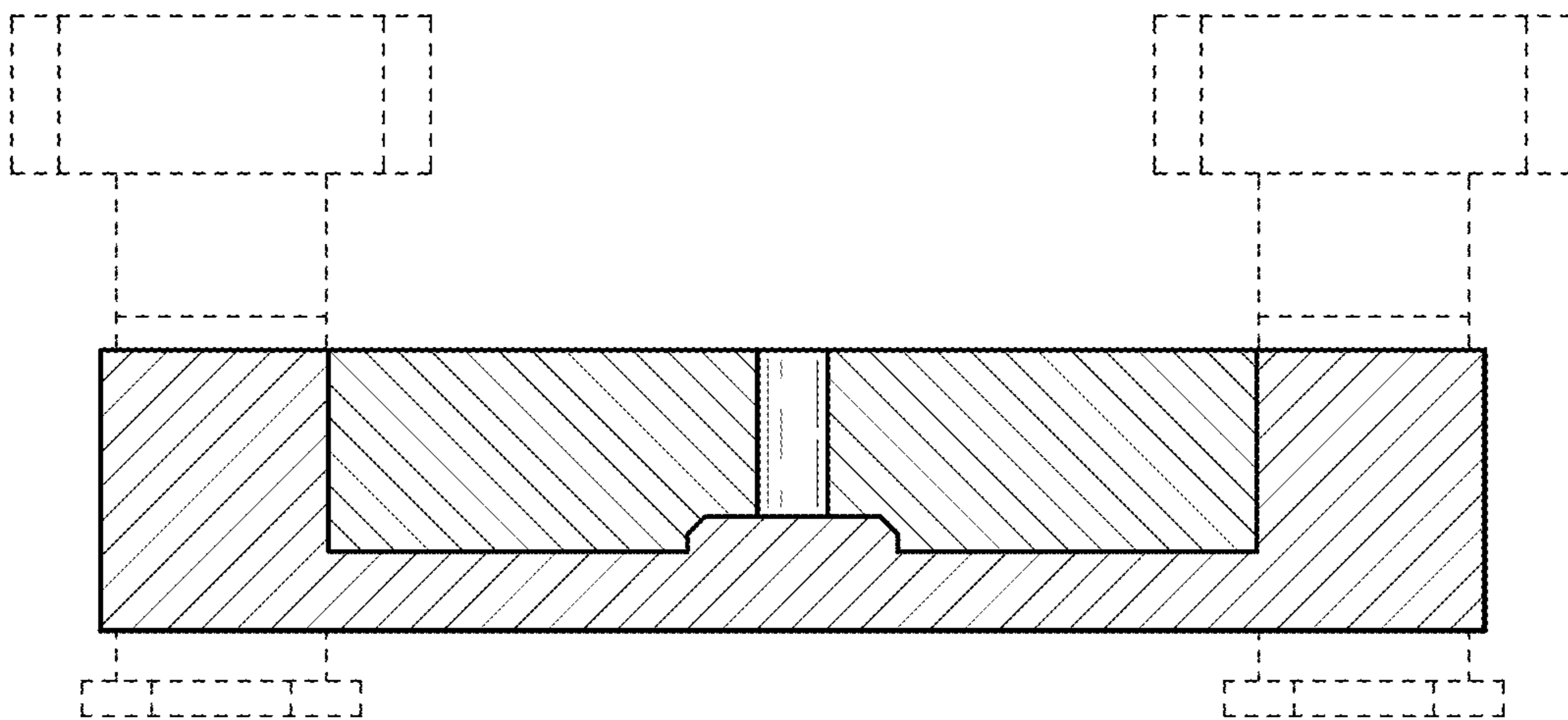


FIG. 18

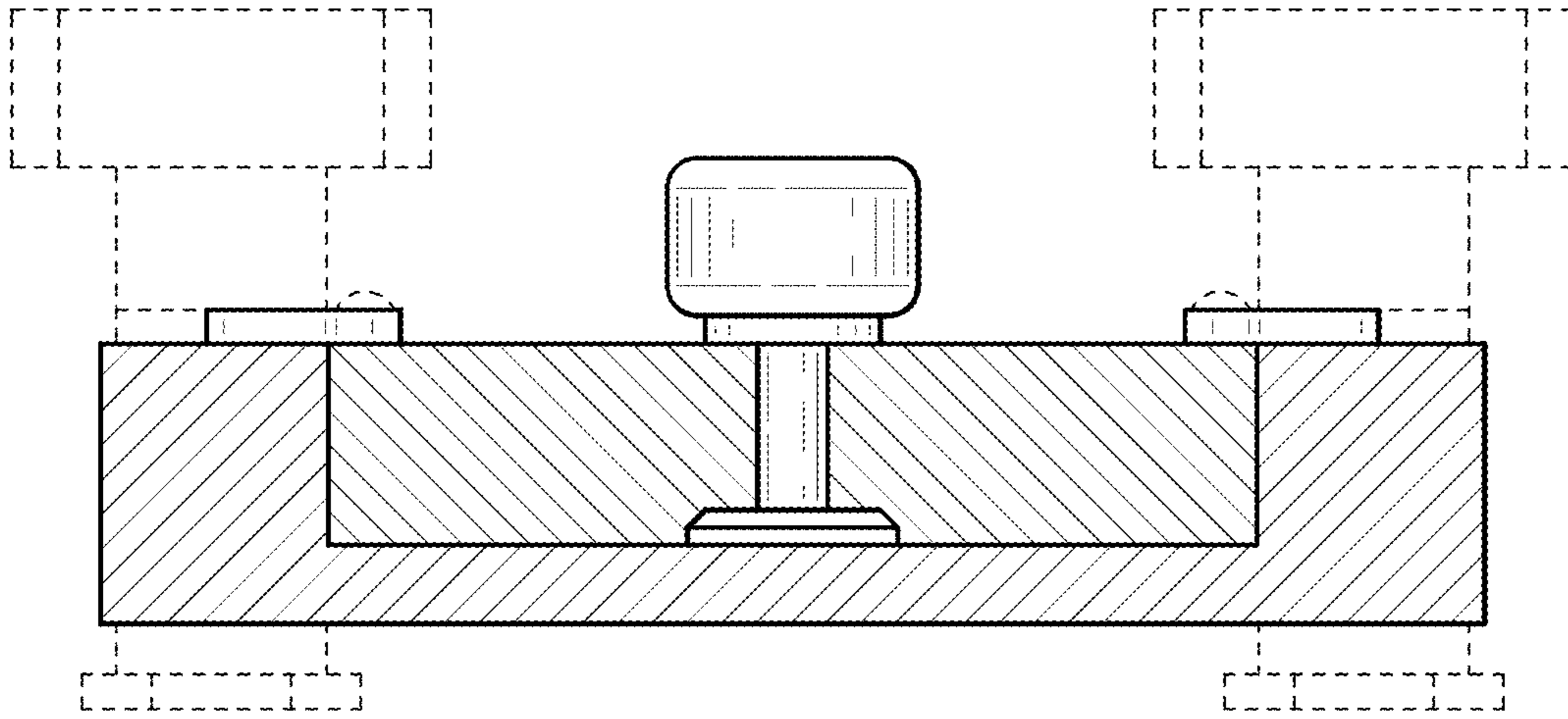


FIG. 19

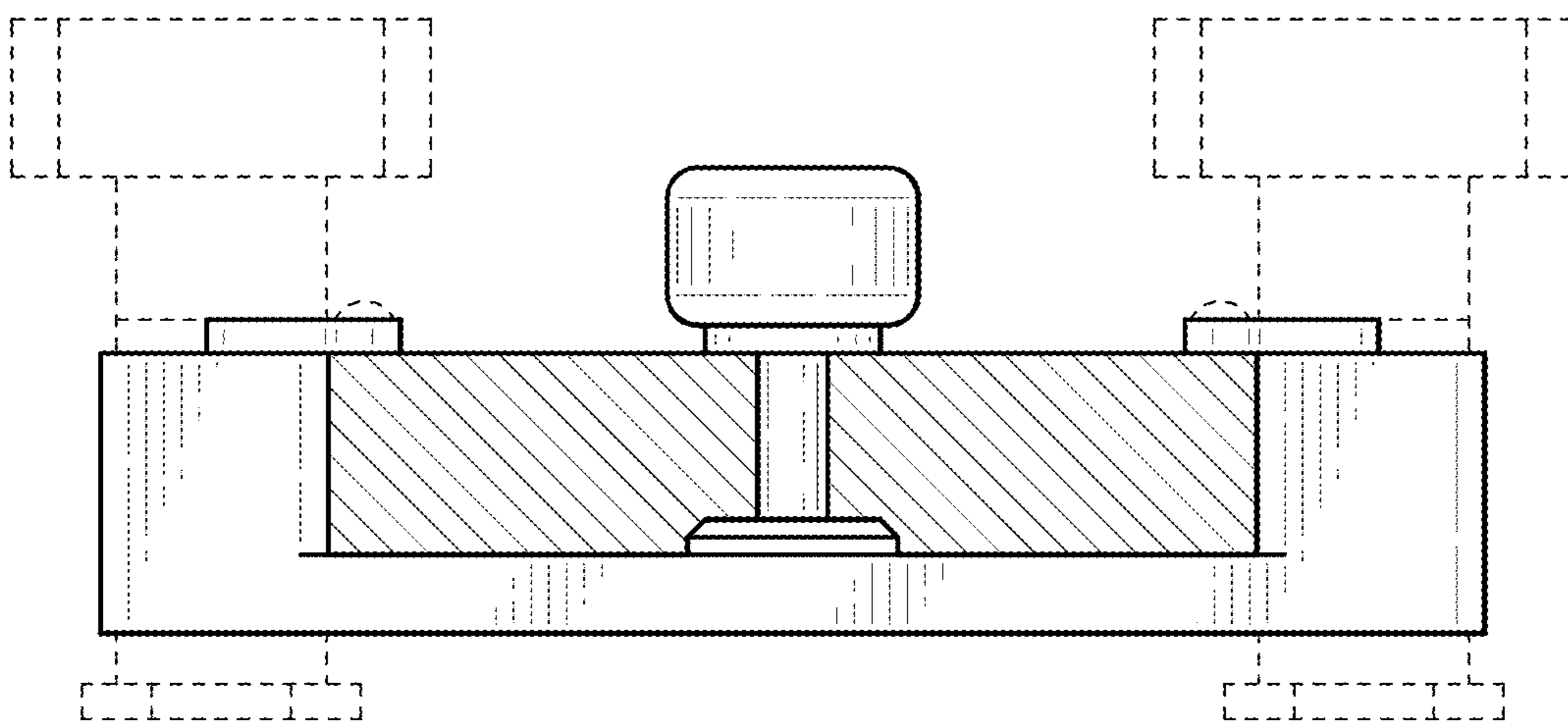


FIG. 20

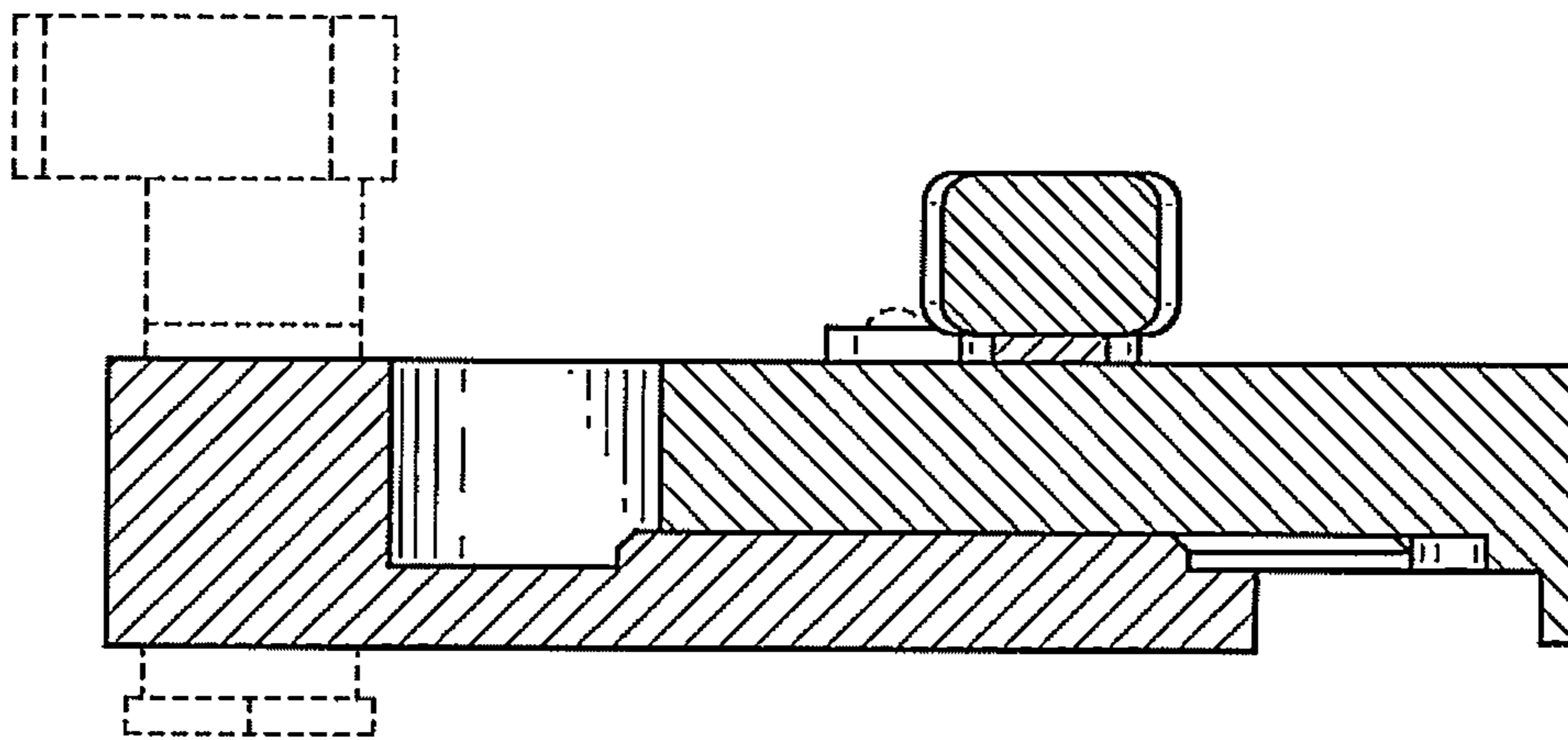


FIG. 21