



US00D980032S

(12) **United States Design Patent**  
**Liu**

(10) **Patent No.:** **US D980,032 S**  
(45) **Date of Patent:** **\*\* Mar. 7, 2023**

(54) **POLISHING PAD**  
(71) Applicant: **Jiangzhao Liu**, Jingmen (CN)  
(72) Inventor: **Jiangzhao Liu**, Jingmen (CN)  
(73) Assignee: **Jiangzhao Liu**, Jingmen (CN)  
(\*\*) Term: **15 Years**  
(21) Appl. No.: **29/850,700**

(22) Filed: **Aug. 23, 2022**  
(51) **LOC (14) Cl.** ..... **08-05**  
(52) **U.S. Cl.**  
USPC ..... **D8/70; D8/20**  
(58) **Field of Classification Search**  
USPC .... D8/20, 61, 62, 63, 70, 90; D15/124, 125,  
D15/126, 132, 138, 139, 140; D32/40  
CPC . B24D 3/28; B24D 9/08; B24D 18/00; B24D  
18/0027; B24B 37/24; B24B 37/26; B24B  
55/102  
See application file for complete search history.

(56) **References Cited**  
**U.S. PATENT DOCUMENTS**  
2,409,163 A \* 10/1946 Stever ..... B24D 9/08  
451/511  
2,815,618 A \* 12/1957 Buliga ..... B24D 9/08  
451/511  
3,510,992 A \* 5/1970 Hutchins ..... B24D 9/08  
451/510  
5,313,746 A \* 5/1994 Zarriello ..... B24D 15/023  
451/524  
D355,105 S \* 2/1995 Nemazi ..... D8/90  
5,470,272 A \* 11/1995 Kikuchi ..... B24B 23/04  
451/344  
5,491,896 A \* 2/1996 Stolzer ..... B24B 23/04  
30/169  
5,558,569 A \* 9/1996 Lee ..... B24B 23/04  
451/344

5,791,975 A \* 8/1998 Cesna ..... B24B 37/30  
451/63  
5,839,949 A \* 11/1998 Martin ..... B24D 9/08  
451/529  
D409,890 S \* 5/1999 Longstaff ..... D8/90  
6,004,194 A \* 12/1999 Hild ..... B24B 45/006  
451/344  
6,099,397 A \* 8/2000 Wurst ..... B24D 9/08  
451/163  
D447,038 S \* 8/2001 Netzler ..... D8/62  
6,306,024 B1 \* 10/2001 Kai ..... B24B 41/007  
451/357

(Continued)

**OTHER PUBLICATIONS**

Team Auto Quarterly. "Buffed to Perfection: Best Polishing Pads for Auto Detailing." Auto Quarterly., Mar. 19, 2021 [online], [retrieved on Jun. 17, 2022]. Retrieved from the Internet <URL: <https://autoquarterly.com/best-polishing-pads-for-auto-detailing/>>.\*

(Continued)

*Primary Examiner* — Darlington Ly  
(74) *Attorney, Agent, or Firm* — Nitin Kaushik

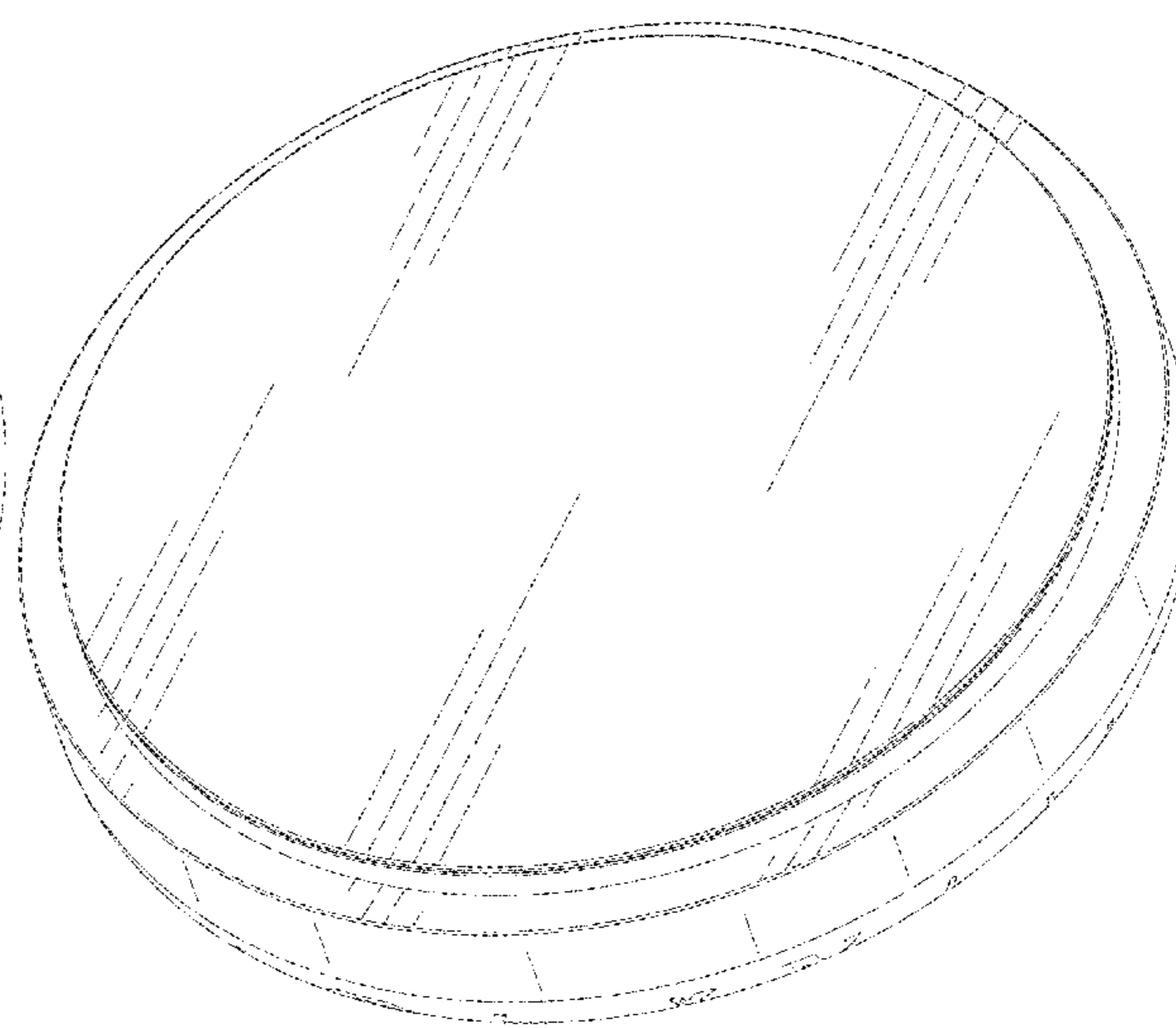
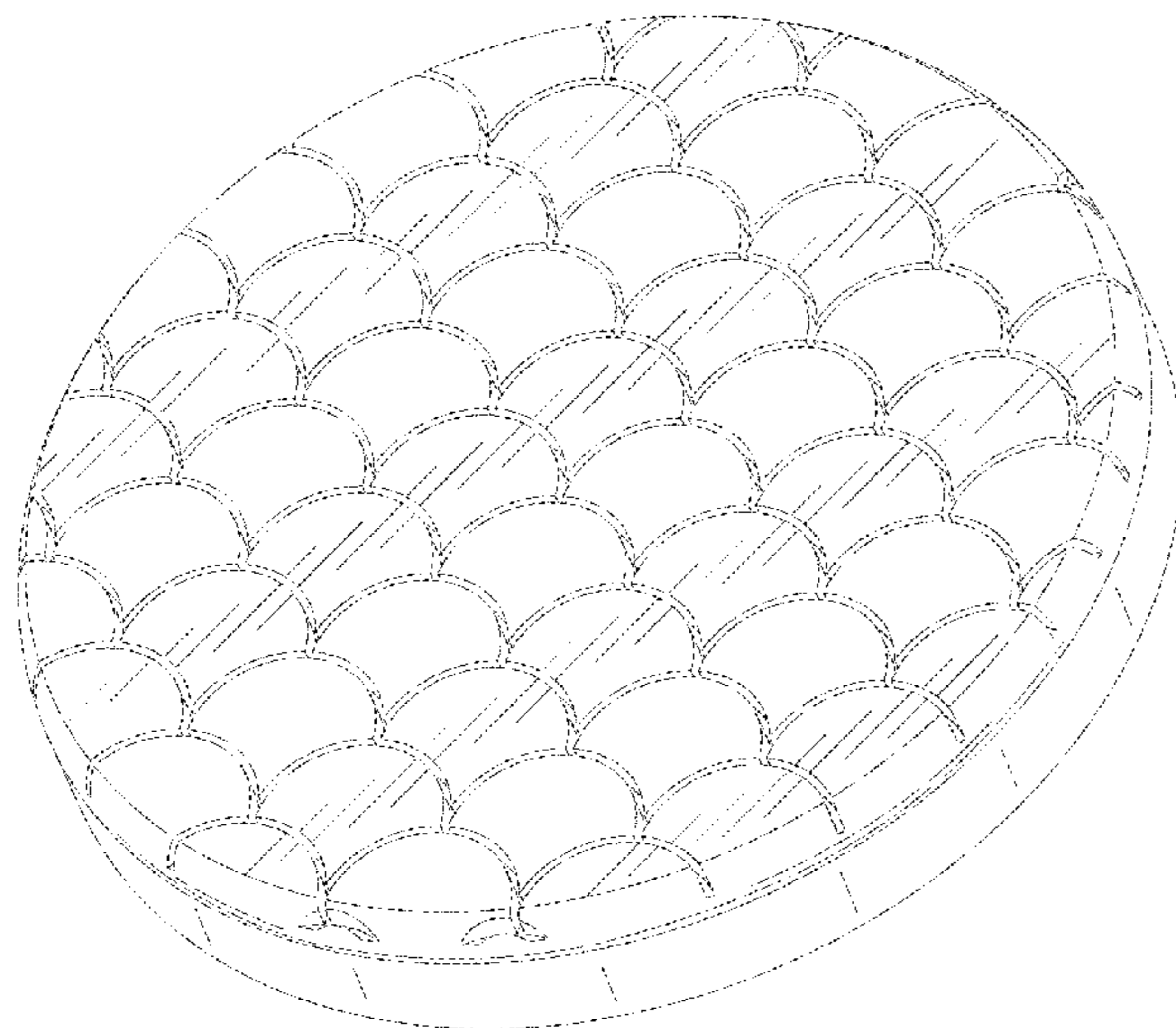
(57) **CLAIM**

The ornamental design for a polishing pad, as shown and described.

**DESCRIPTION**

FIG. 1 is a front, bottom and right side perspective view of a polishing pad embodying my new design; FIG. 2 is a rear, top, and right side perspective view thereof; FIG. 3 is a front elevation view thereof; FIG. 4 is a rear elevation view thereof; FIG. 5 is a left side elevation view thereof; FIG. 6 is a right side elevation view thereof; FIG. 7 is a top plan view thereof; and, FIG. 8 is a bottom plan view thereof.

**1 Claim, 8 Drawing Sheets**



(56)

**References Cited**

U.S. PATENT DOCUMENTS

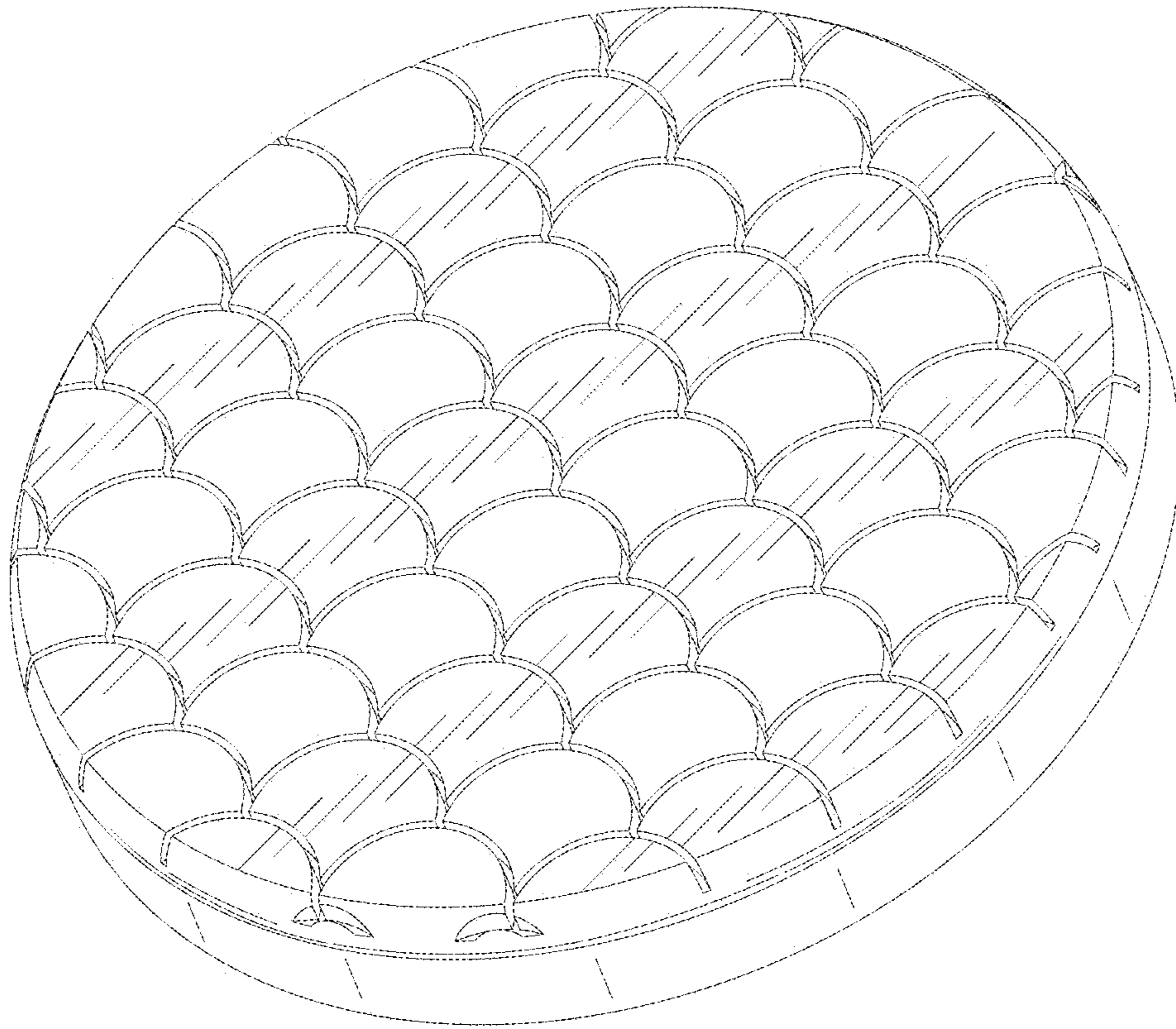
6,699,112 B2 \* 3/2004 Bergner ..... B24D 11/02  
451/356  
D511,954 S \* 11/2005 Heun ..... D8/62  
D524,628 S \* 7/2006 Shermer ..... D8/90  
D539,107 S \* 3/2007 Chu ..... D8/62  
D554,309 S \* 10/2007 Wolk ..... D32/40  
7,313,838 B2 \* 1/2008 Long ..... B24B 29/00  
15/50.2  
7,736,216 B2 \* 6/2010 King ..... B24B 23/04  
451/357  
D628,218 S \* 11/2010 Tommassini ..... D15/138  
D669,754 S \* 10/2012 Wackwitz ..... D8/70  
D691,013 S \* 10/2013 Campbell ..... D8/70  
D710,669 S \* 8/2014 Campbell ..... D8/90  
D734,116 S \* 7/2015 Wong ..... D8/90  
D813,624 S \* 3/2018 Gopi ..... D8/20  
10,124,461 B2 \* 11/2018 Kuehne ..... B23B 31/10  
D866,107 S \* 11/2019 Mendez ..... D32/40  
D952,432 S 5/2022 Duan

2008/0029134 A1 \* 2/2008 Long ..... A47L 11/4005  
134/115 R  
2008/0057846 A1 \* 3/2008 Schumacher ..... B23B 31/4073  
451/548  
2010/0009613 A1 \* 1/2010 Frueh ..... B25F 5/00  
30/296.1

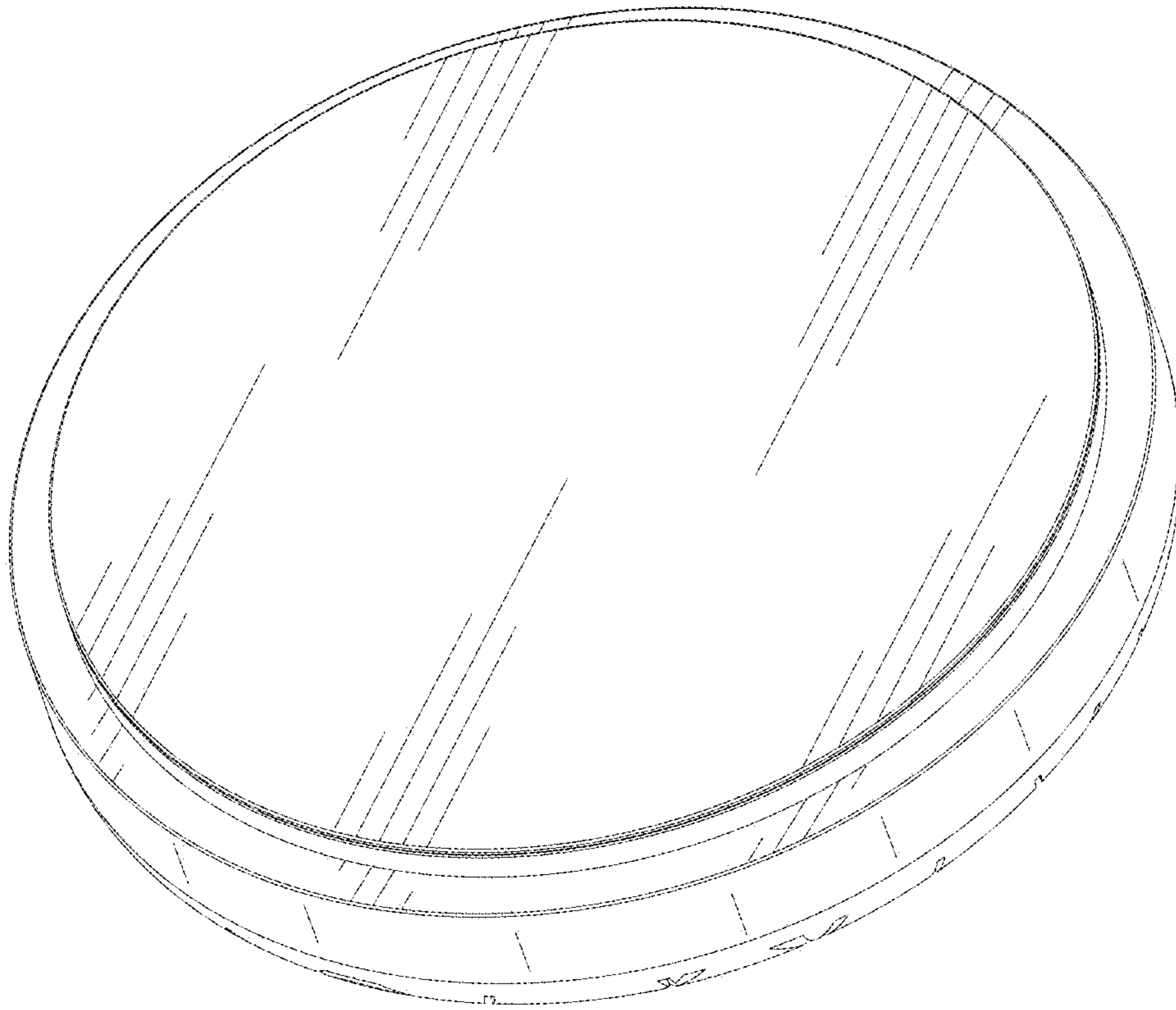
OTHER PUBLICATIONS

“The 11 Best Tile Polishing Pads (2022 reviews).” Why We Like This—USA., Apr. 3, 2022 [online], [retrieved on Jun. 17, 2022]. Retrieved from the Internet <URL: <https://whywelikethis.com/best-tile-polishing-pads/>>.\*  
Rebecca Henderson. “Best Buffing Pads: Top Picks for Polishing Your Car.” The War Zone., Sep. 30, 2021 [online], [retrieved on Jun. 17, 2022]. Retrieved from the Internet <URL: <https://www.thedrive.com/reviews/27043/best-buffing-pads>>.\*  
“Product Catalog—Masters of Polishing.” Lake Country Manufacturing Inc., Mar. 14, 2022 [online], [retrieved on Jun. 17, 2022]. Retrieved from the Internet <URL: <https://lakecountrymfg.com/wp-content/uploads/LCM-Catalog.pdf>>.\*

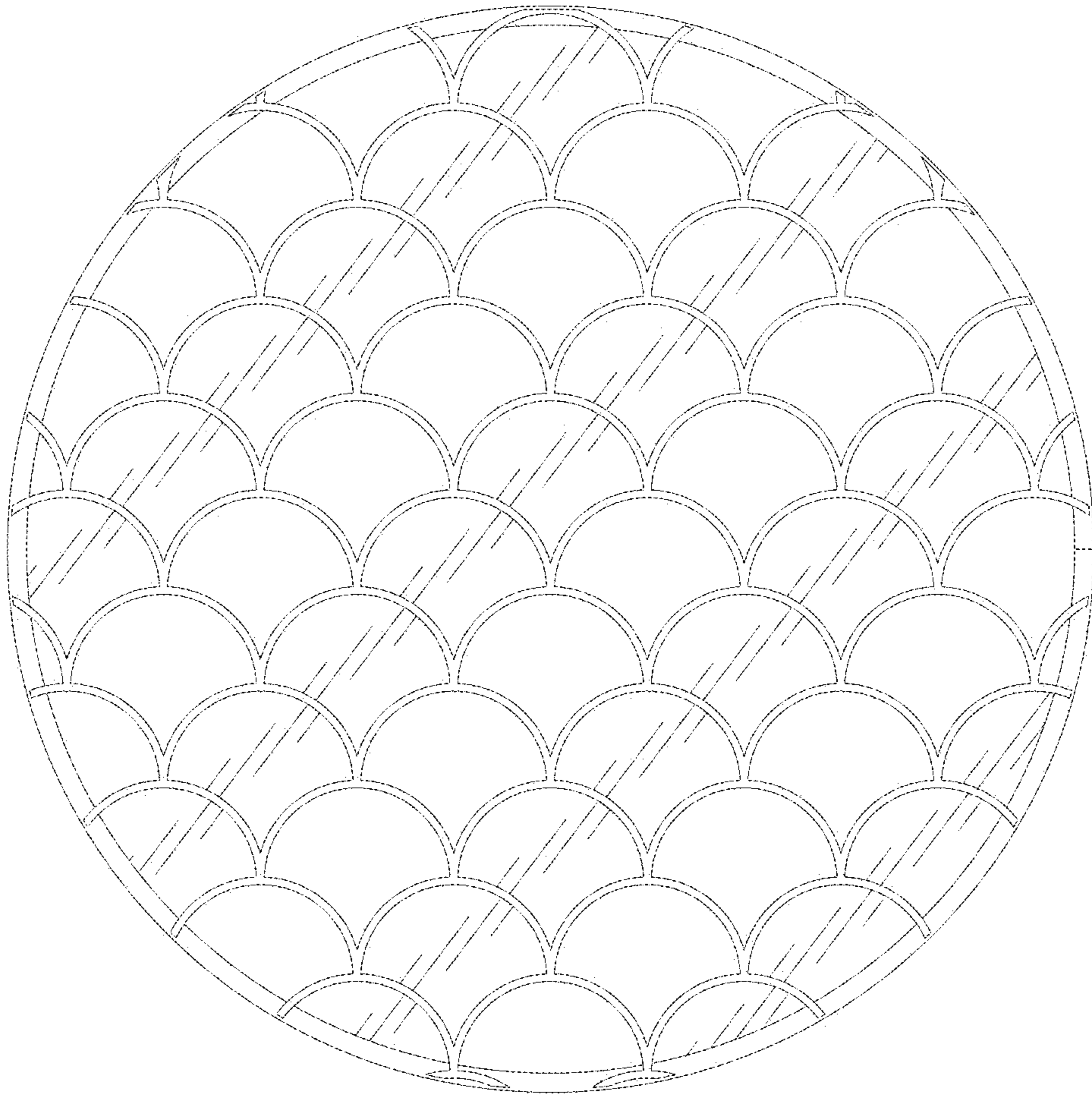
\* cited by examiner



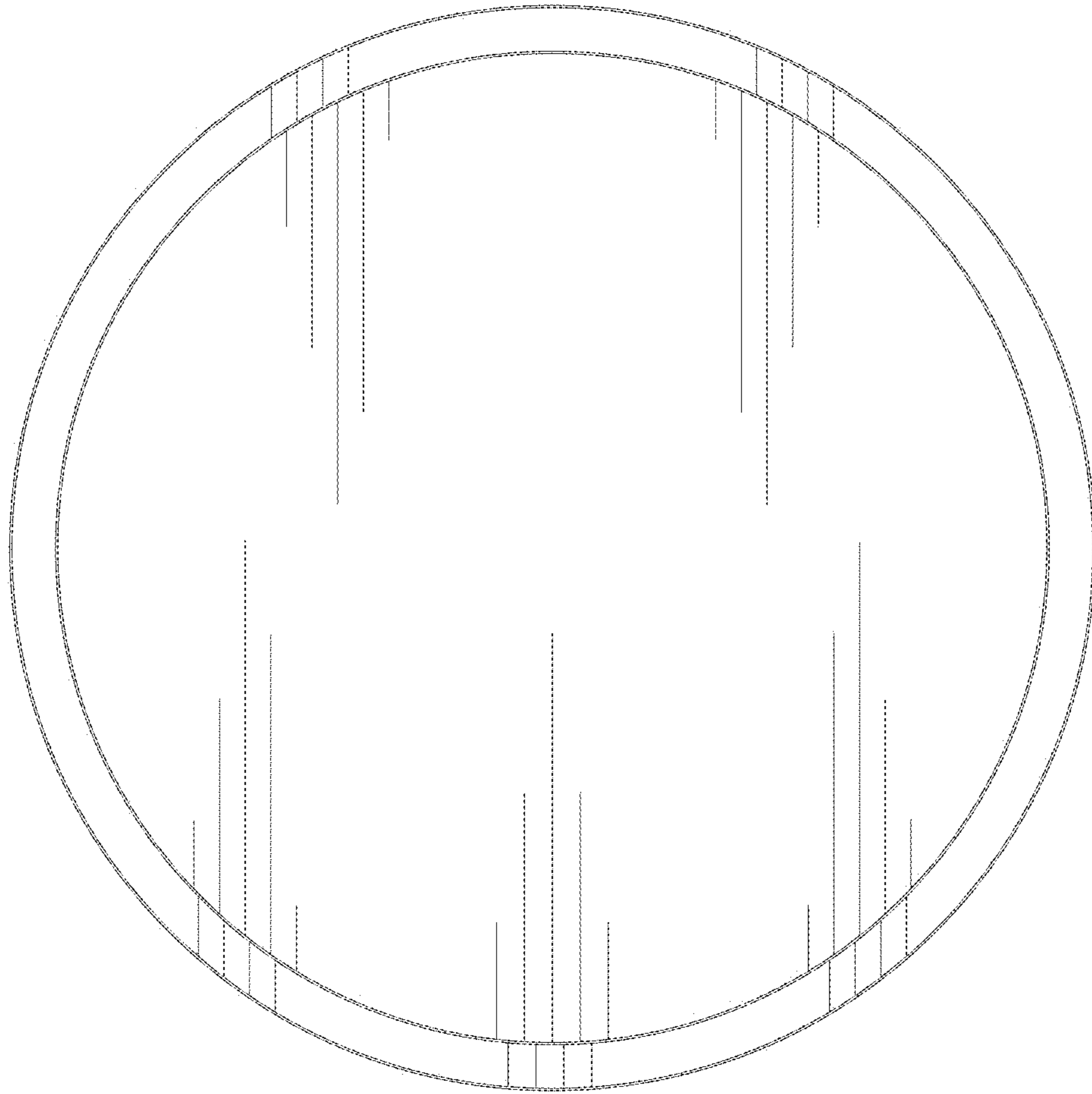
***FIG. 1***



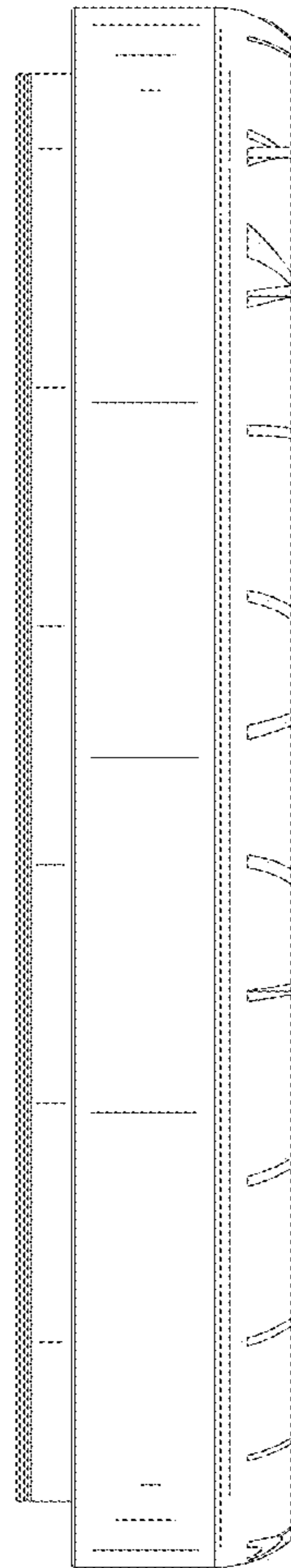
**FIG. 2**



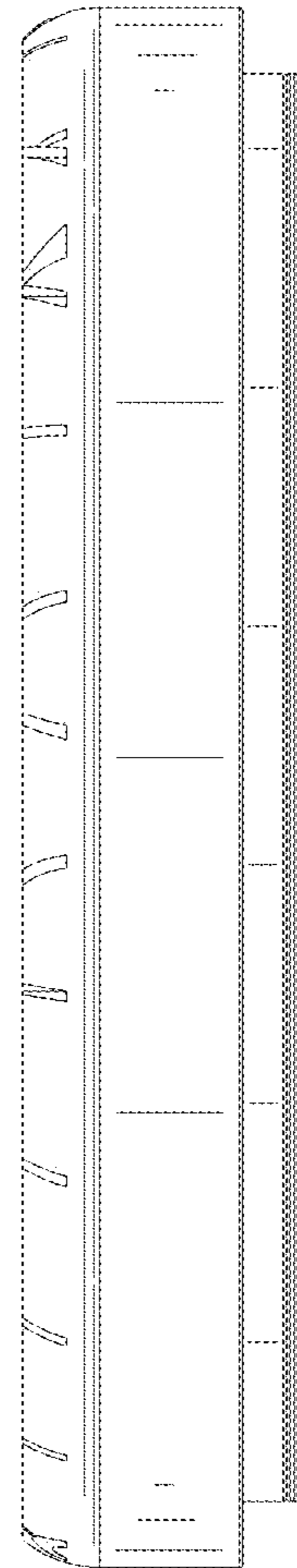
***FIG. 3***



***FIG. 4***

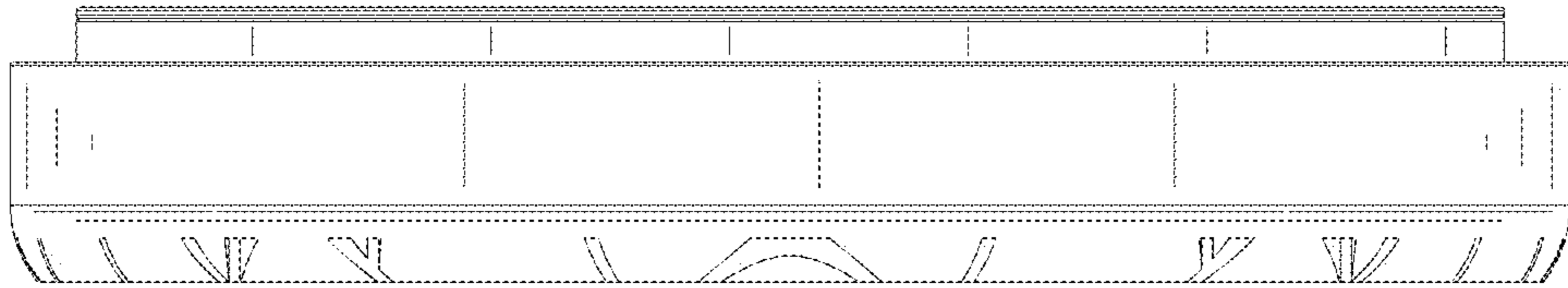


**FIG. 5**

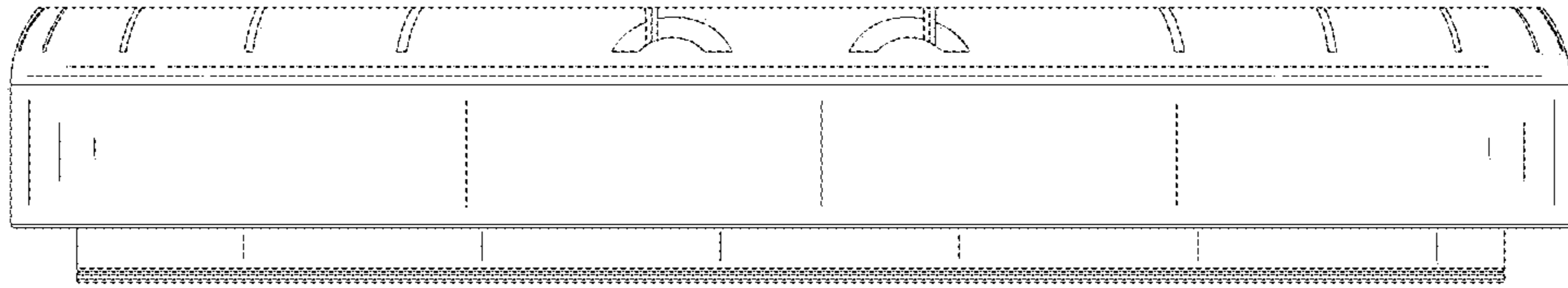


**FIG. 6**





**FIG. 7**



**FIG. 8**