



US00D980029S

(12) **United States Design Patent**
Landberg et al.

(10) **Patent No.:** **US D980,029 S**
(45) **Date of Patent:** **** Mar. 7, 2023**

(54) **POWER CUTTER**

(71) Applicant: **HUSQVARNA AB**, Huskvarna (SE)

(72) Inventors: **Gustav Landberg**, Trosa (SE); **Tor Sigurdson**, Stockholm (SE); **Markus Hedberg**, Hägersten (SE)

(73) Assignee: **Husqvarna AB**, Huskvarna (SE)

(**) Term: **15 Years**

(21) Appl. No.: **29/777,221**

(22) Filed: **Apr. 5, 2021**

(30) **Foreign Application Priority Data**

Oct. 5, 2020 (EM) 008193221-0001

(51) **LOC (14) Cl.** **08-03**

(52) **U.S. Cl.**
USPC **D8/66**

(58) **Field of Classification Search**
USPC D8/69, 68, 67, 66, 64, 61, 70; 83/698.41, 83/747, 166.3, 374, 373, 375, 376, 391, 83/377, 390, 388, 389; 30/122, 124, 329; 144/218; D21/532
CPC B27B 9/00; B27B 9/02; B27B 5/02; B27B 5/18; B27B 33/08; B28D 1/04; B28D 1/045; B23D 45/00; B23D 45/16; B23D 47/02

See application file for complete search history.

(56) **References Cited**

U.S. PATENT DOCUMENTS

D225,299 S * 12/1972 Boldt D8/66
4,809,438 A * 3/1989 Nagashima B27B 17/0016
30/390

D313,155 S * 12/1990 Somers D8/66
5,826,478 A * 10/1998 Zerrer B05B 15/62
451/450
5,855,067 A * 1/1999 Taomo B25F 3/00
474/138
6,374,501 B1 * 4/2002 Claesson B23D 47/123
30/389
7,137,877 B2 * 11/2006 Uhl B23D 45/16
451/451
D533,757 S * 12/2006 Arvidsson D8/66
D561,551 S * 2/2008 Tinius D8/66
D579,742 S * 11/2008 Arvidsson D8/66
D648,998 S * 11/2011 Sell D8/66
D669,329 S * 10/2012 Tinius D8/65
D743,226 S * 11/2015 Aoki D8/66
D814,899 S * 4/2018 Suzuki D8/66
D860,272 S * 9/2019 Conley B23D 45/042
D8/66
D906,780 S * 1/2021 Landberg D8/66
D931,073 S * 9/2021 Suzuki D8/66
D959,226 S * 8/2022 Suzuki D8/66

* cited by examiner

Primary Examiner — Austin Murphy

(74) *Attorney, Agent, or Firm* — Burr & Forman, LLP

(57) **CLAIM**

The ornamental design for the power cutter, as shown and described.

DESCRIPTION

FIG. 1 is a perspective view of a power cutter of the present invention;

FIG. 2 is a front view of the power cutter of FIG. 1;

FIG. 3 is a rear view of the power cutter of FIG. 1;

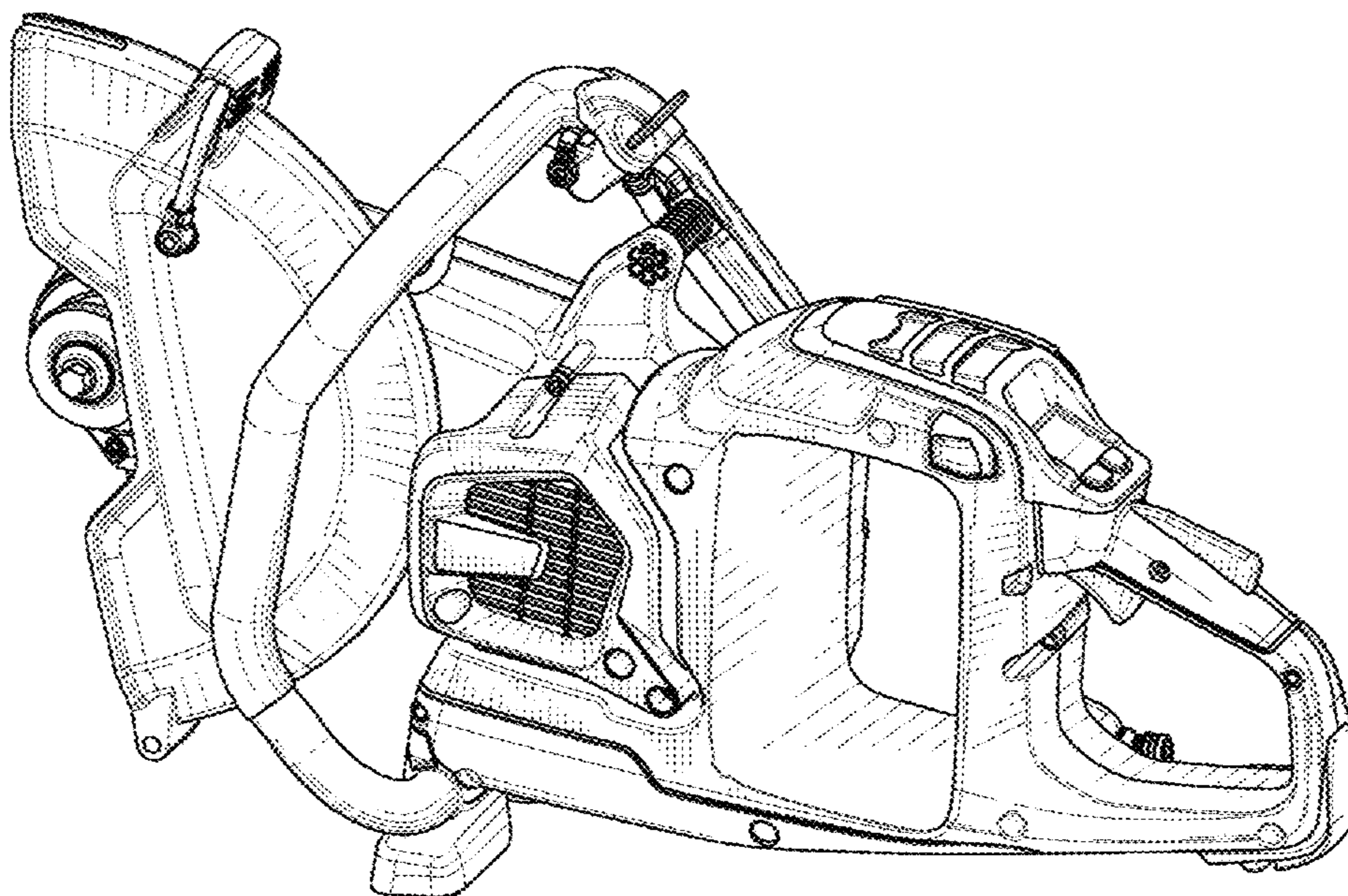
FIG. 4 is a left side view of the power cutter of FIG. 1;

FIG. 5 is a right side view of the power cutter of FIG. 1;

FIG. 6 is a top view of the power cutter of FIG. 1; and,

FIG. 7 is a bottom view of the power cutter of FIG. 1.

1 Claim, 7 Drawing Sheets



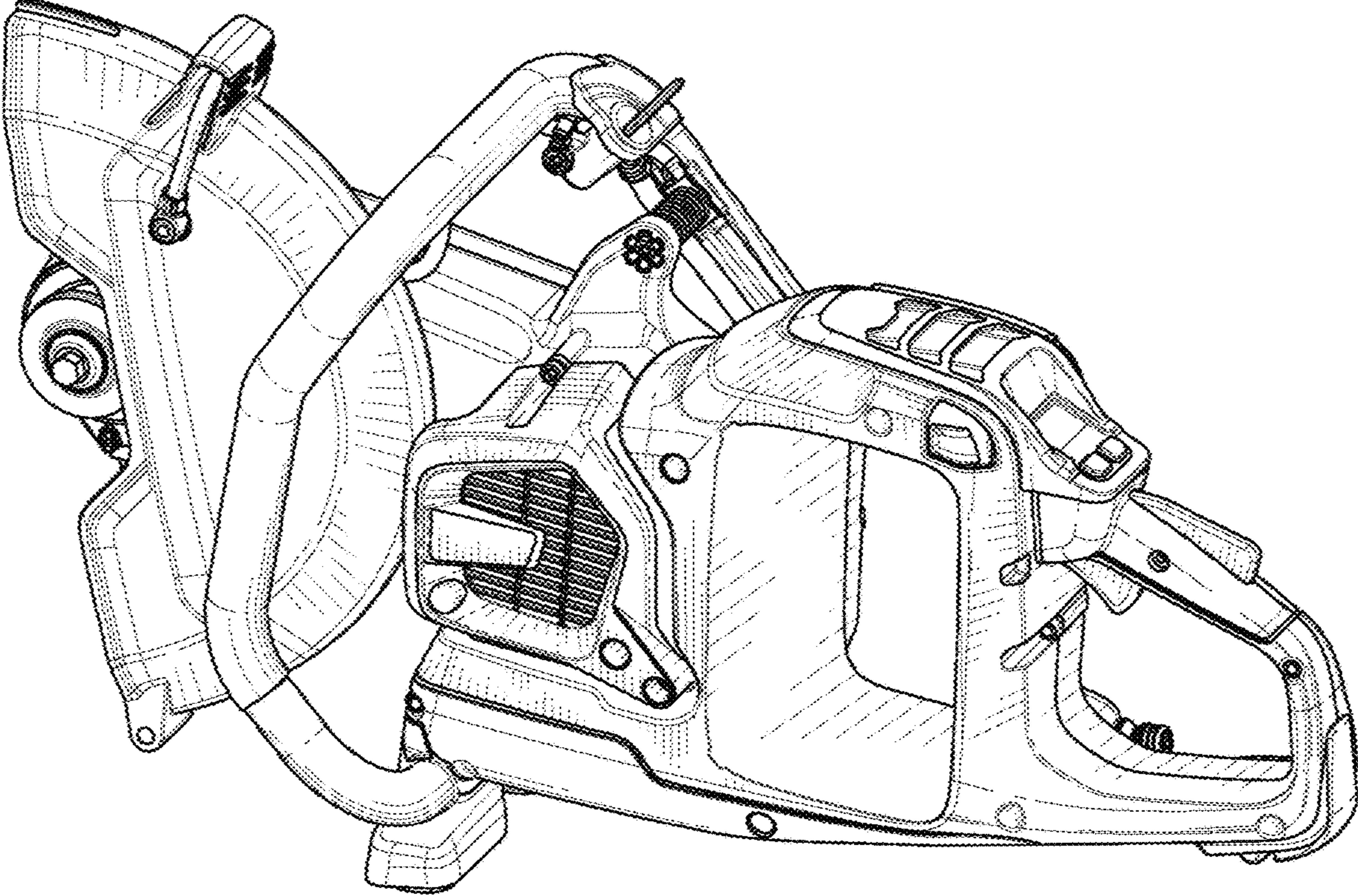


FIG. 1

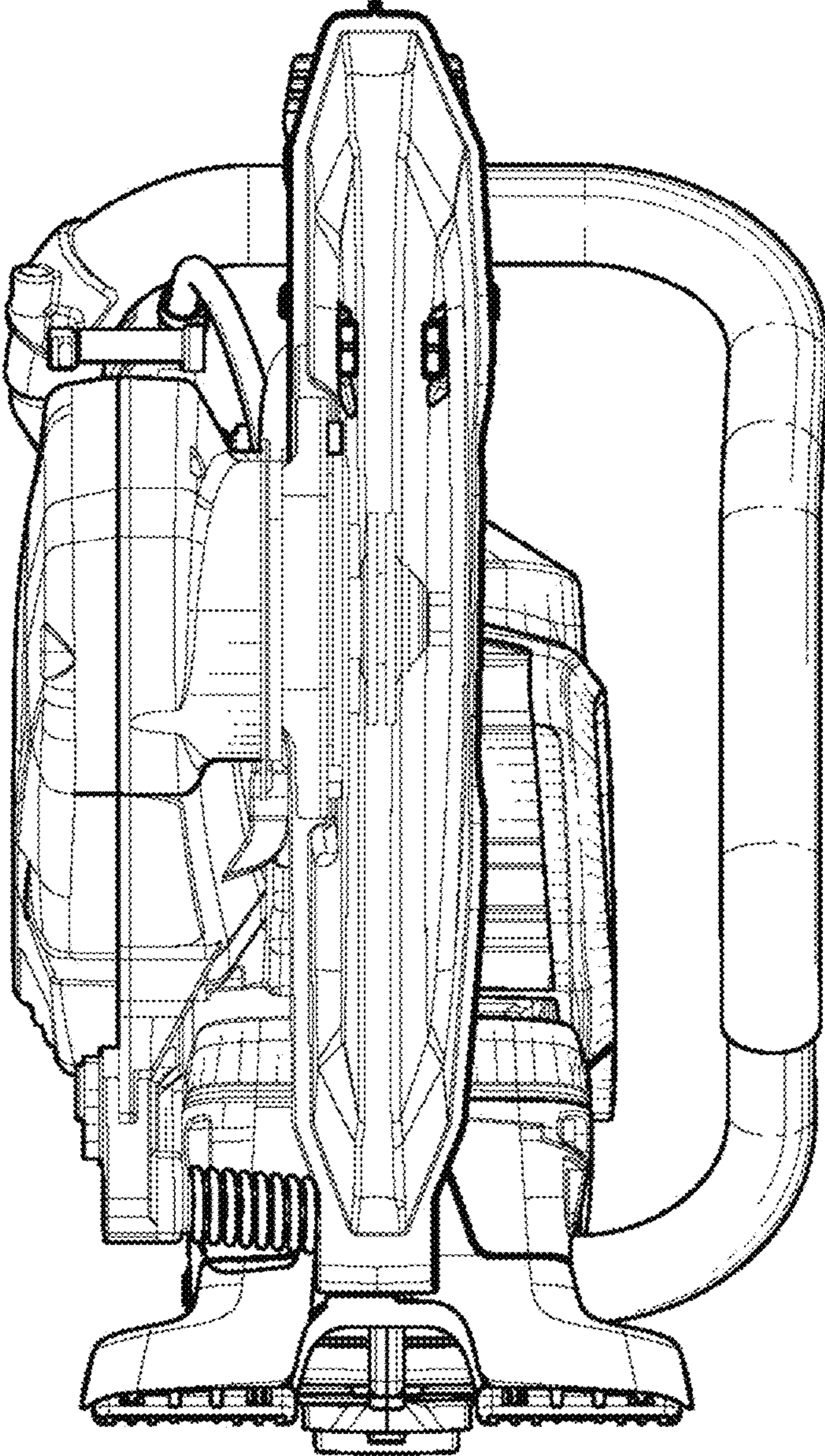


FIG. 2

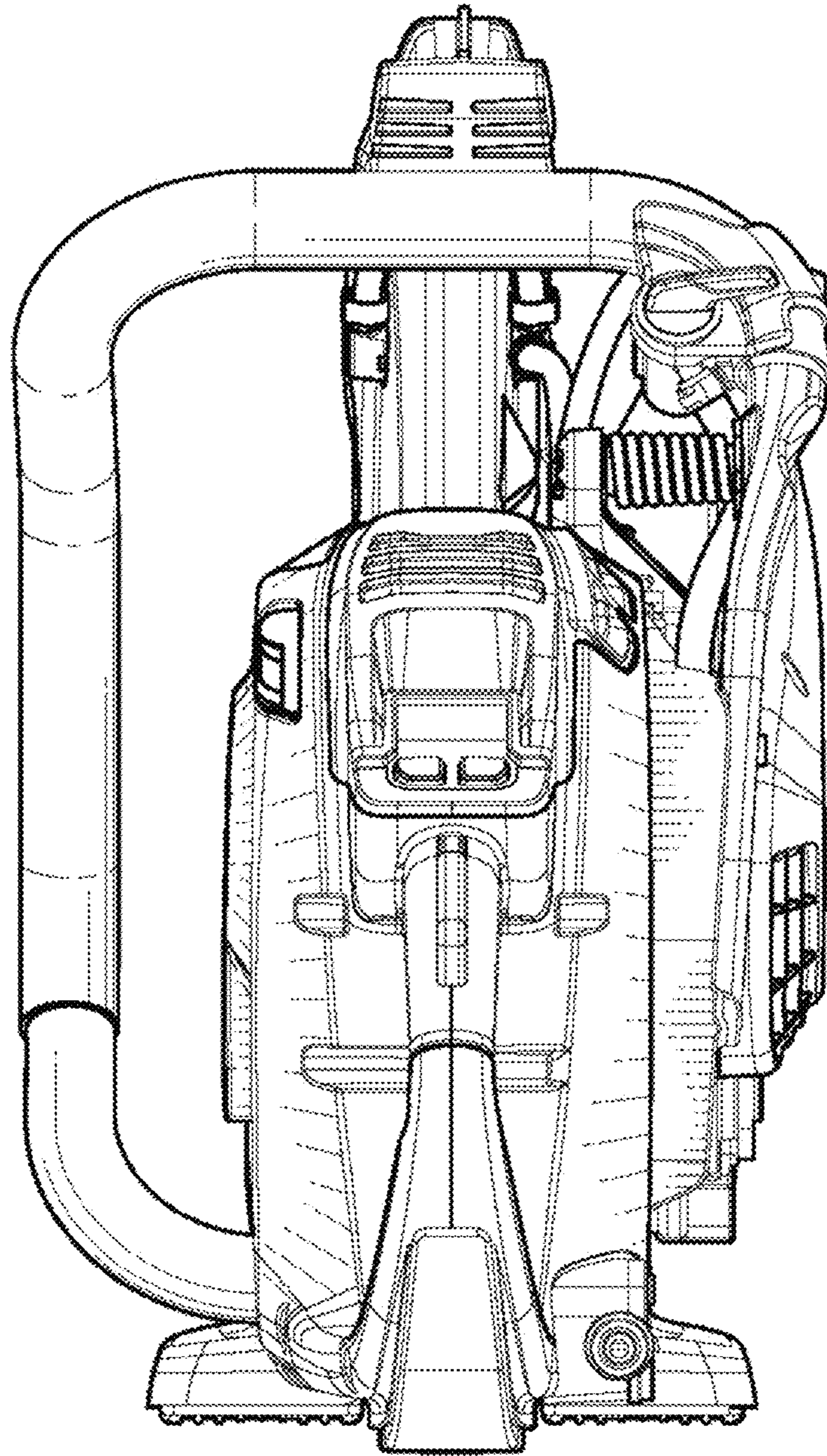


FIG. 3

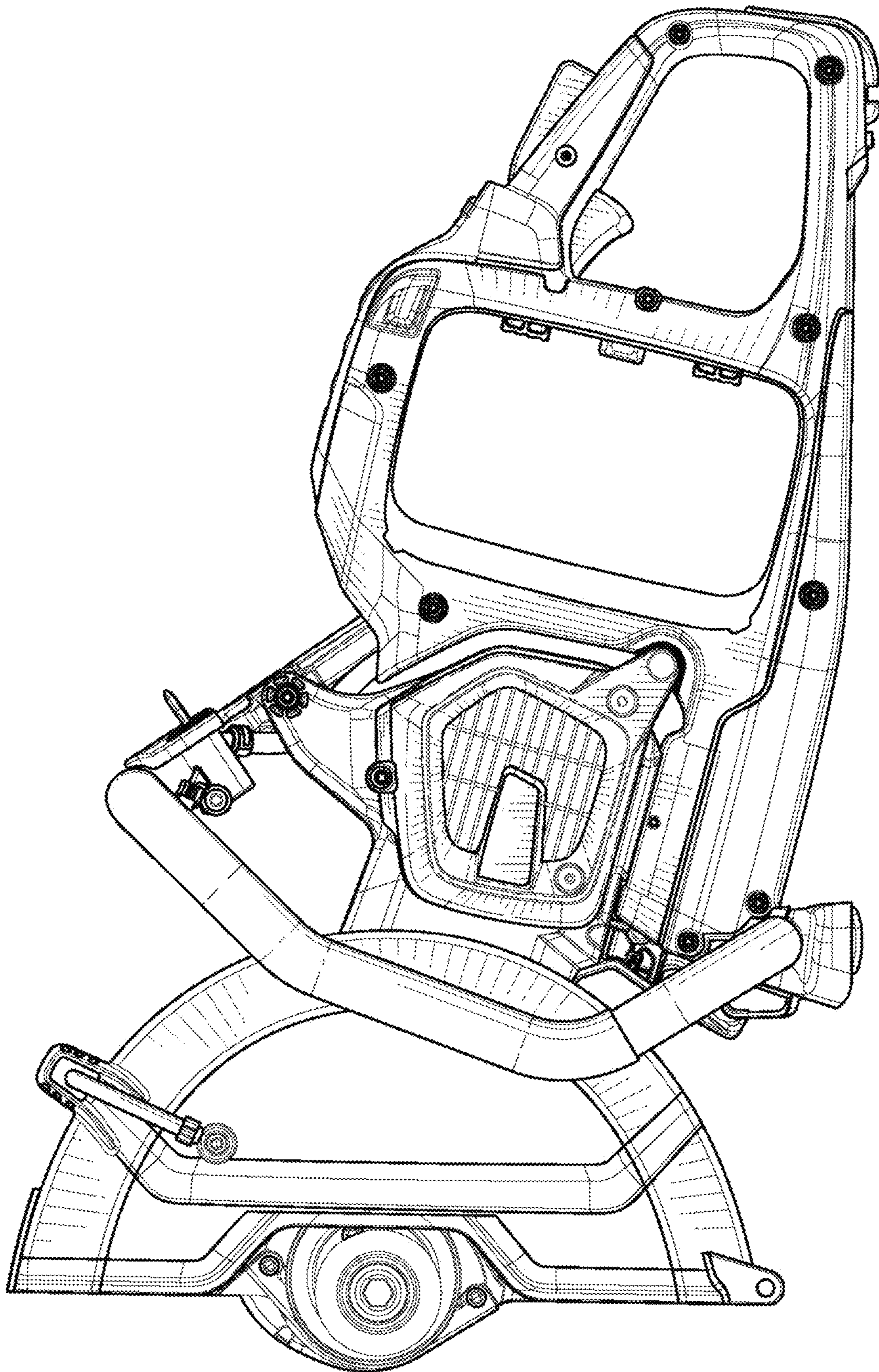


FIG. 4

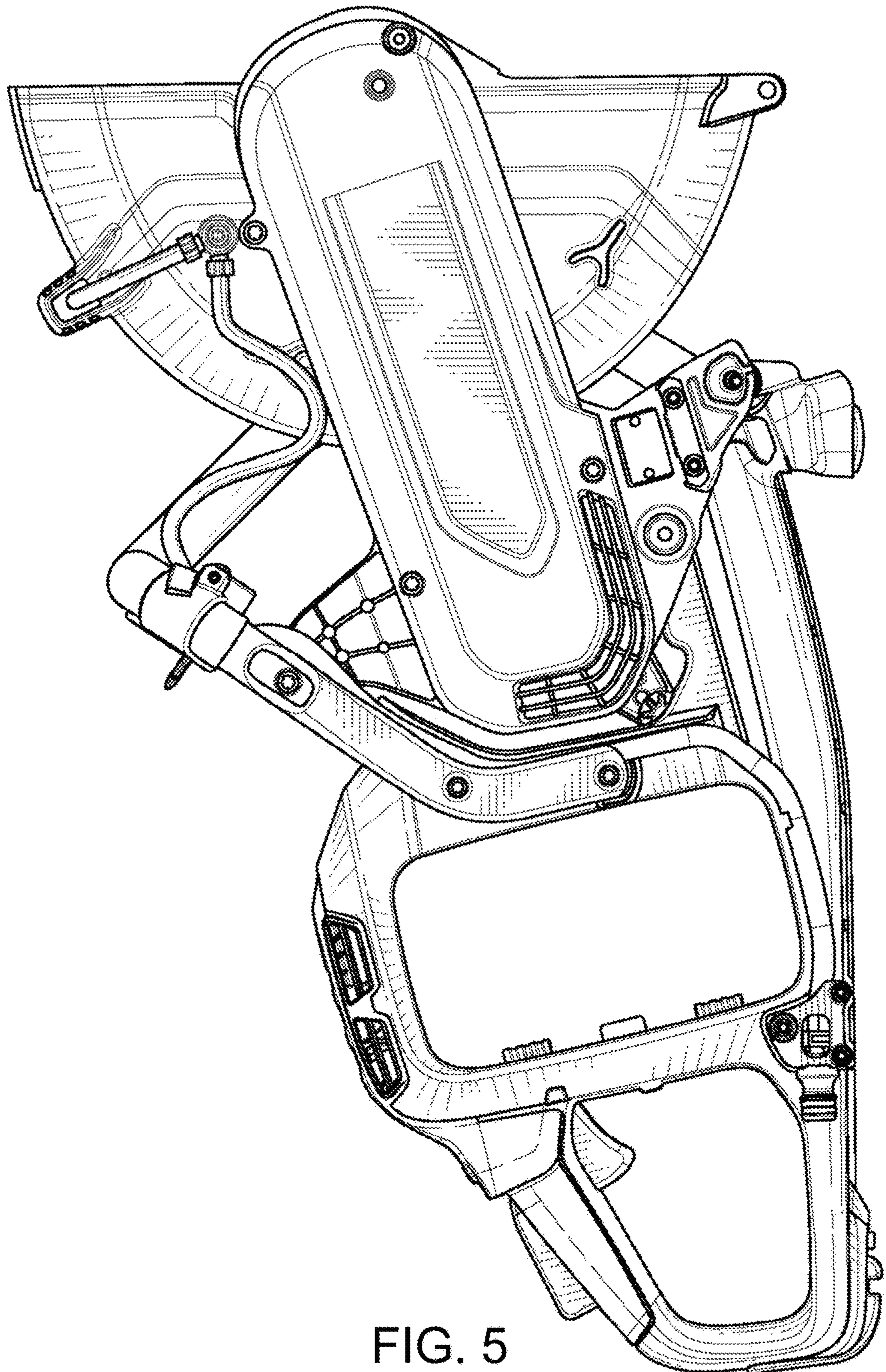


FIG. 5

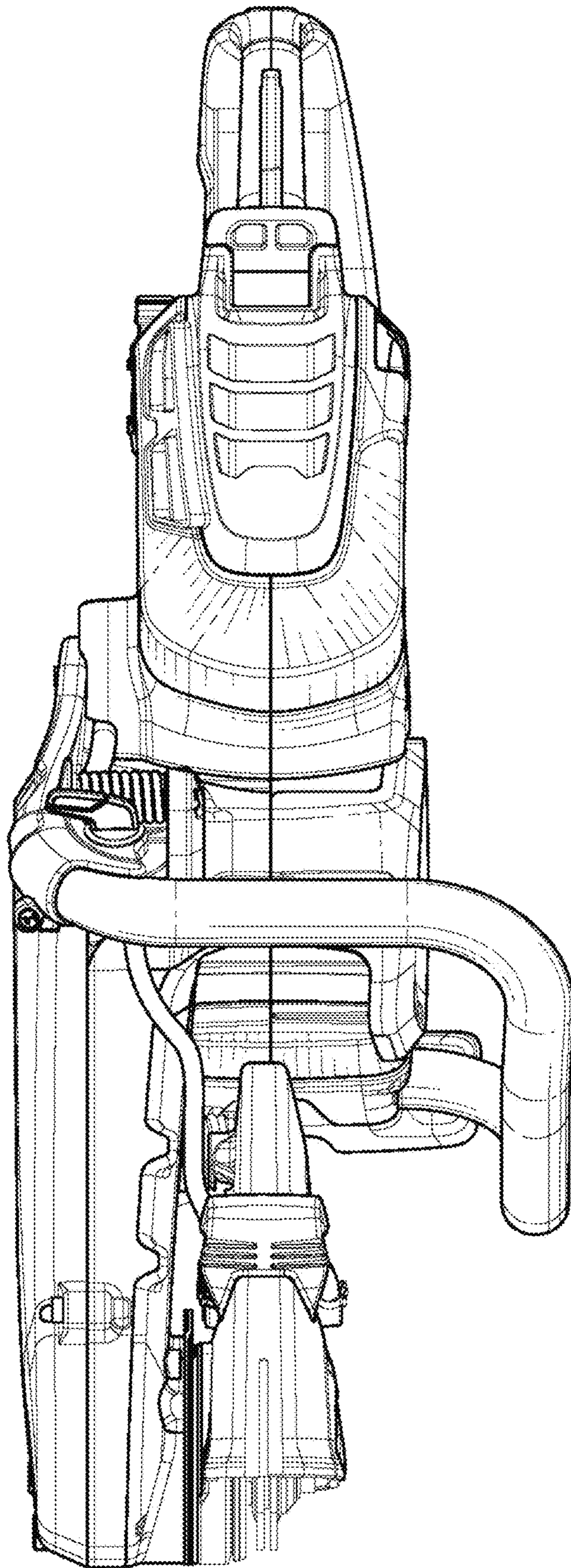


FIG. 6

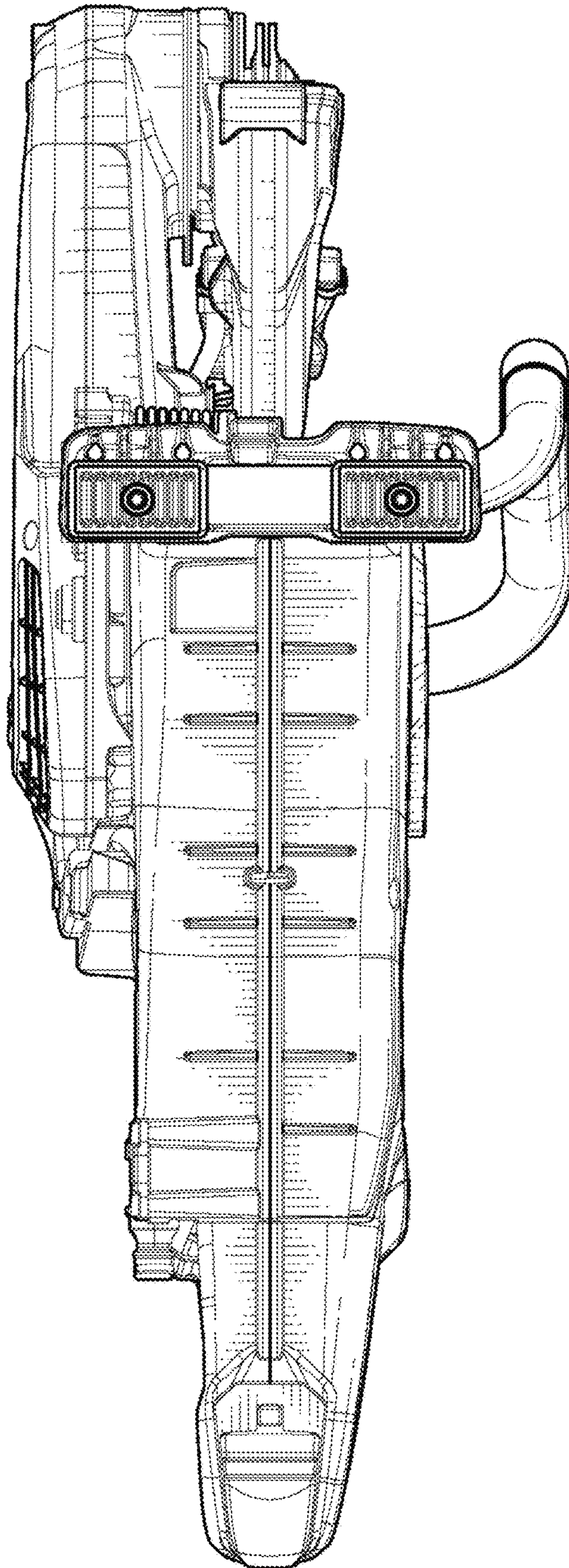


FIG. 7