



US00D980028S

(12) **United States Design Patent**
Sui

(10) **Patent No.:** **US D980,028 S**
(45) **Date of Patent:** **** Mar. 7, 2023**

(54) **ELECTRIC CHAIN SAW**

(71) Applicant: **Rui Sui**, Jiangsu (CN)

(72) Inventor: **Rui Sui**, Jiangsu (CN)

(**) Term: **15 Years**

(21) Appl. No.: **29/868,008**

(22) Filed: **Nov. 16, 2022**

(51) **LOC (14) Cl.** **08-03**

(52) **U.S. Cl.**
USPC **D8/65**

(58) **Field of Classification Search**
USPC D8/8, 61, 65, 68, 69, 70
CPC B27B 17/0008; B27B 17/02; B27B 17/00;
B27B 17/08; B27B 19/002
See application file for complete search history.

(56) **References Cited**

U.S. PATENT DOCUMENTS

D341,536 S * 11/1993 Fukuda D8/64
5,685,080 A * 11/1997 Amano B27B 17/08
30/DIG. 1
D575,605 S 8/2008 Yamamoto

D662,801 S 7/2012 Tinius
D932,268 S * 10/2021 Fang D8/65
D957,225 S * 7/2022 Song D8/65
D972,906 S * 12/2022 Li D8/65
2011/0162219 A1* 7/2011 Okouchi B27B 17/00
173/217
2015/0375416 A1* 12/2015 Haneda B27B 17/00
30/383
2022/0410425 A1* 12/2022 McCue B27B 17/02

* cited by examiner

Primary Examiner — Lauren R Calve

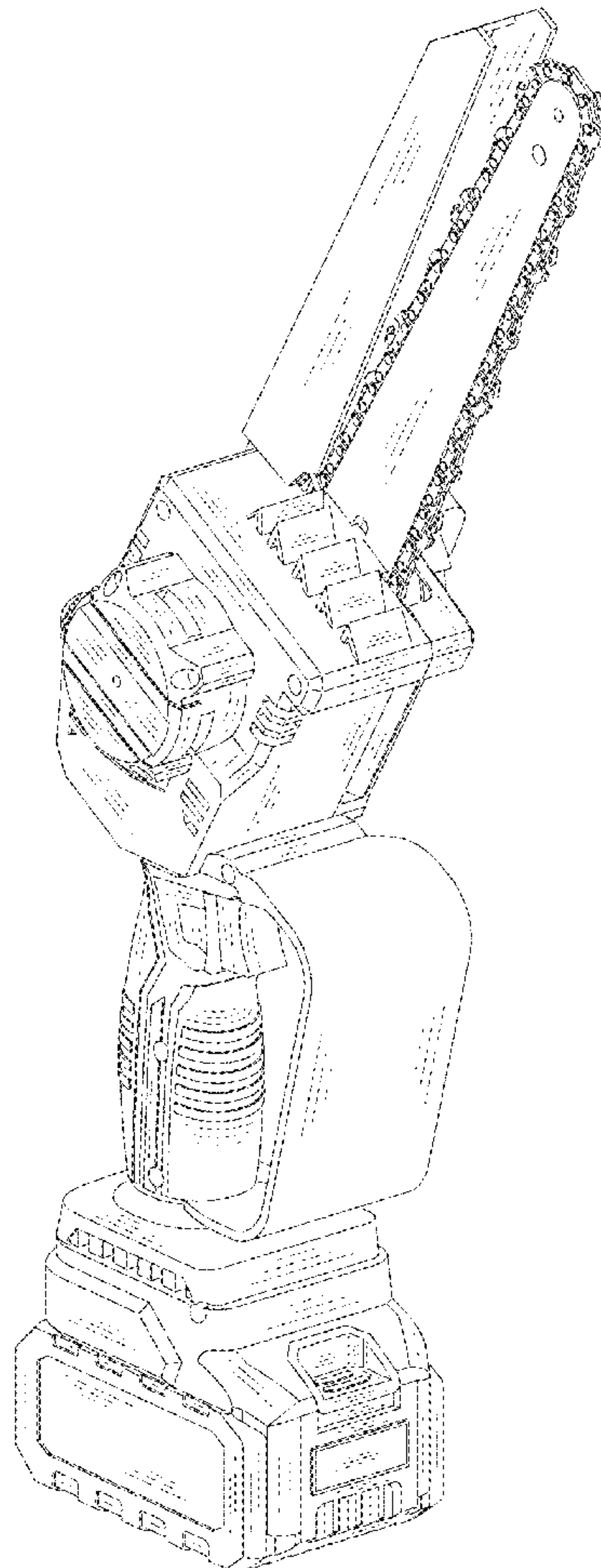
(57) **CLAIM**

The ornamental design for an electric chain saw, as shown and described.

DESCRIPTION

FIG. 1 is a top, left and front side perspective view of an electric chain saw, showing my new design;
FIG. 2 is a bottom, right and hack side perspective view thereof;
FIG. 3 is a left side elevational view thereof;
FIG. 4 is a right side elevational view thereof;
FIG. 5 is a back elevational view thereof;
FIG. 6 is a front elevational view thereof;
FIG. 7 is a top plan view thereof; and,
FIG. 8 is a bottom plan view thereof.

1 Claim, 8 Drawing Sheets



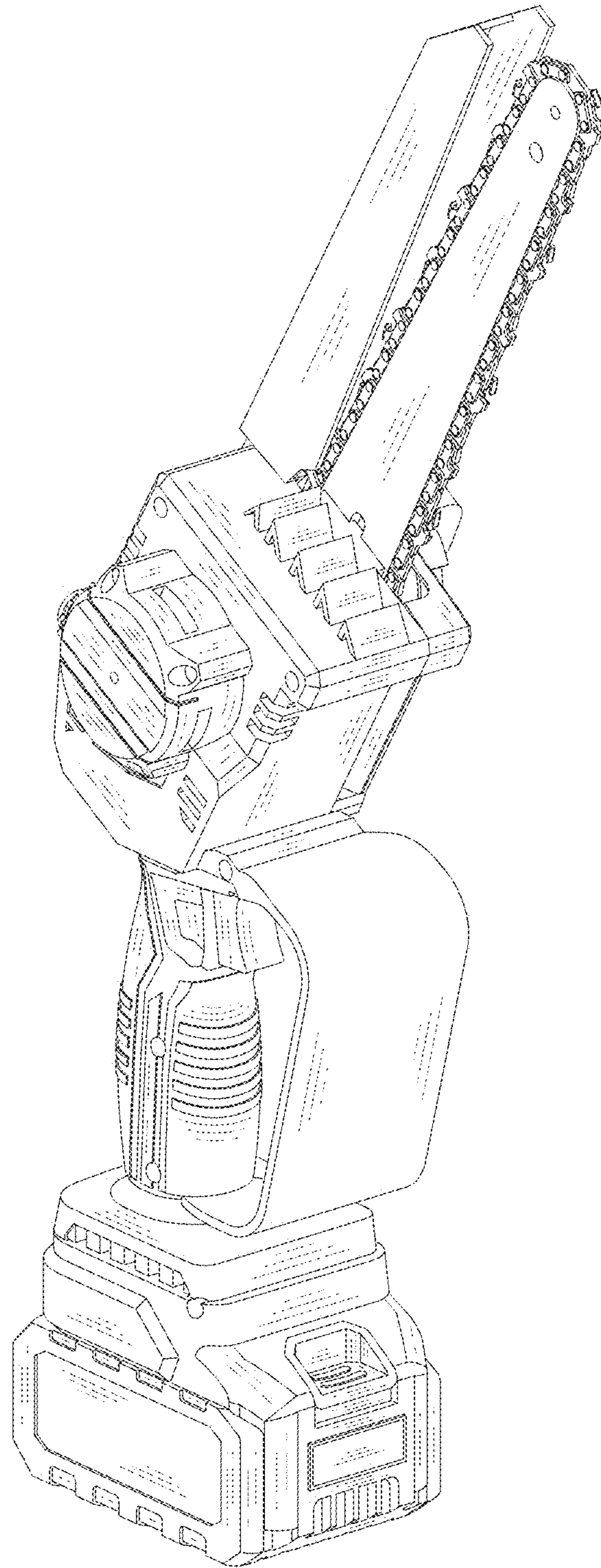


FIG. 1

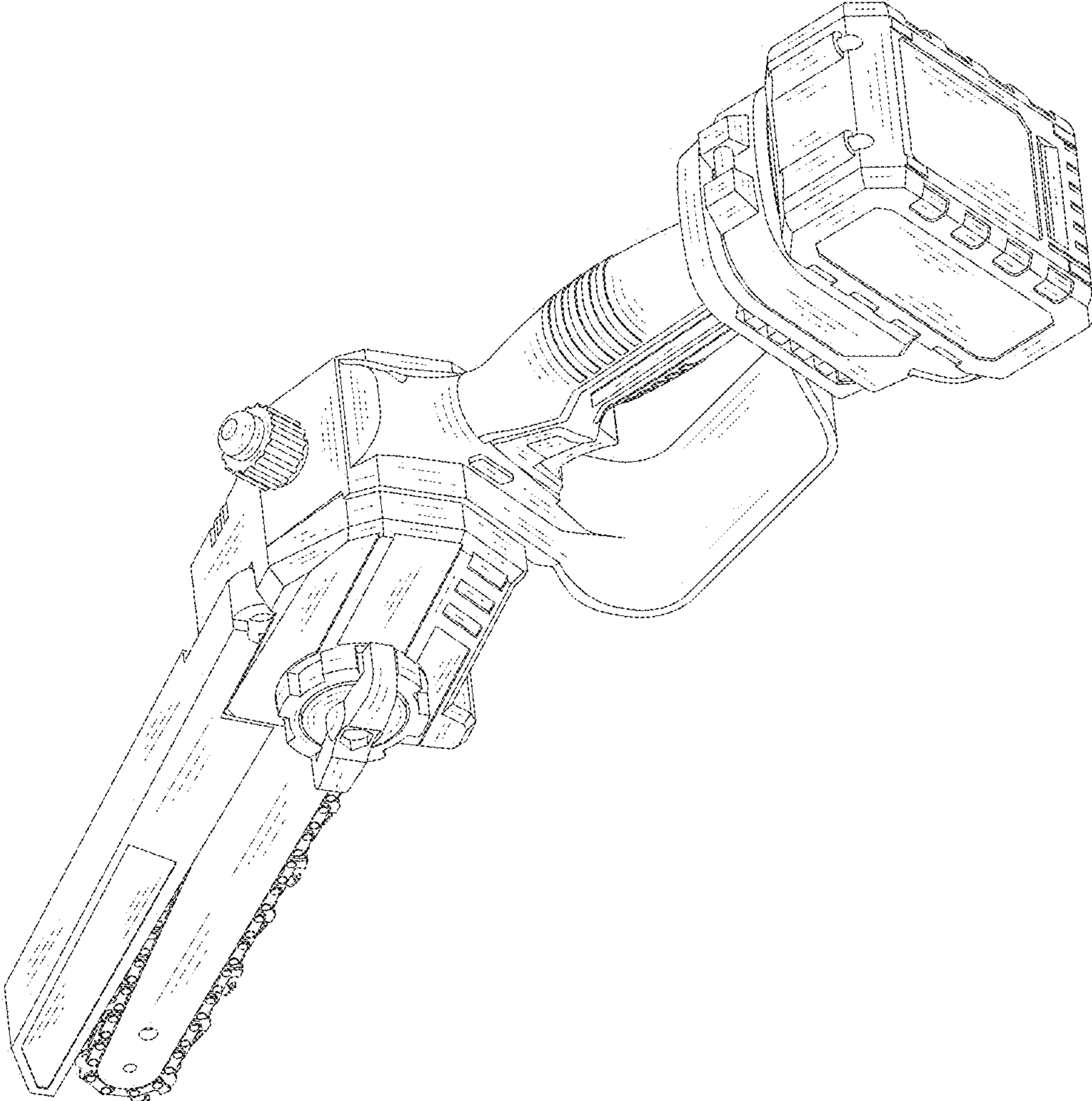


FIG. 2

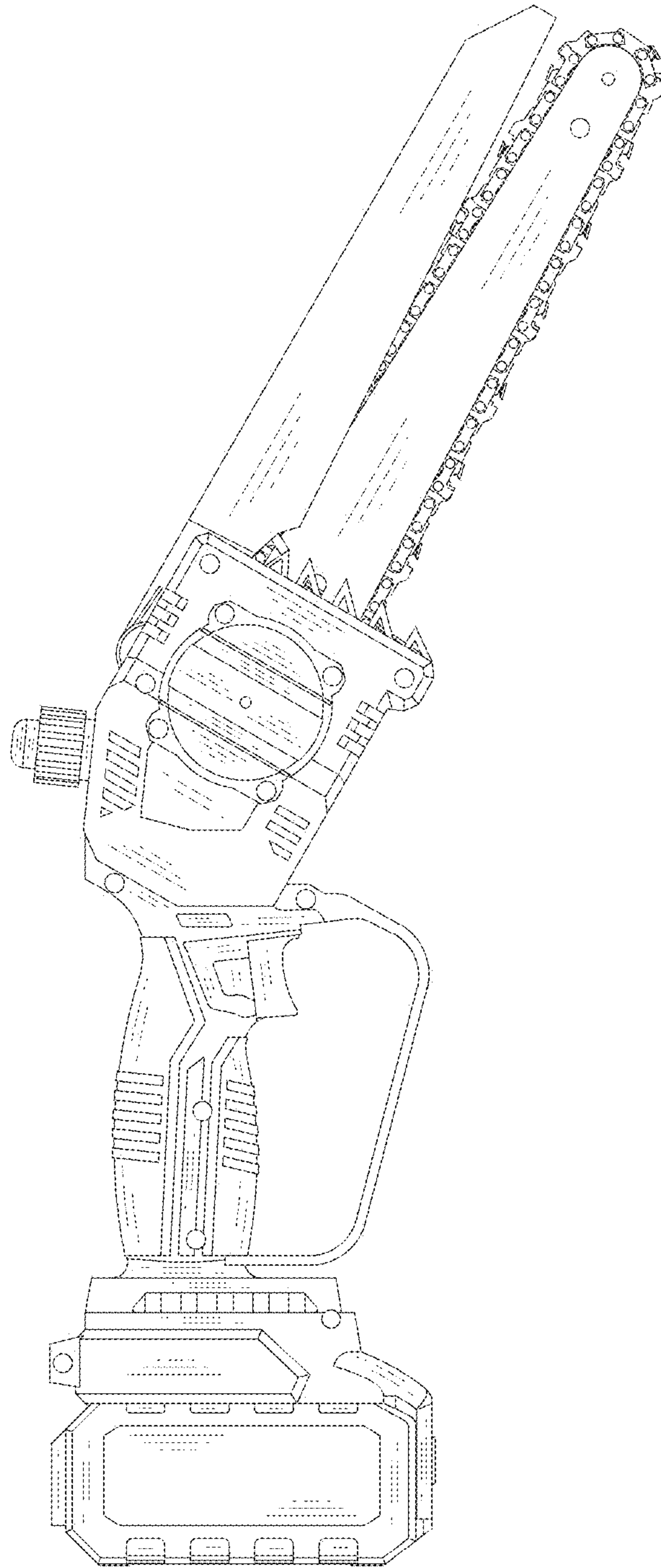


FIG. 3

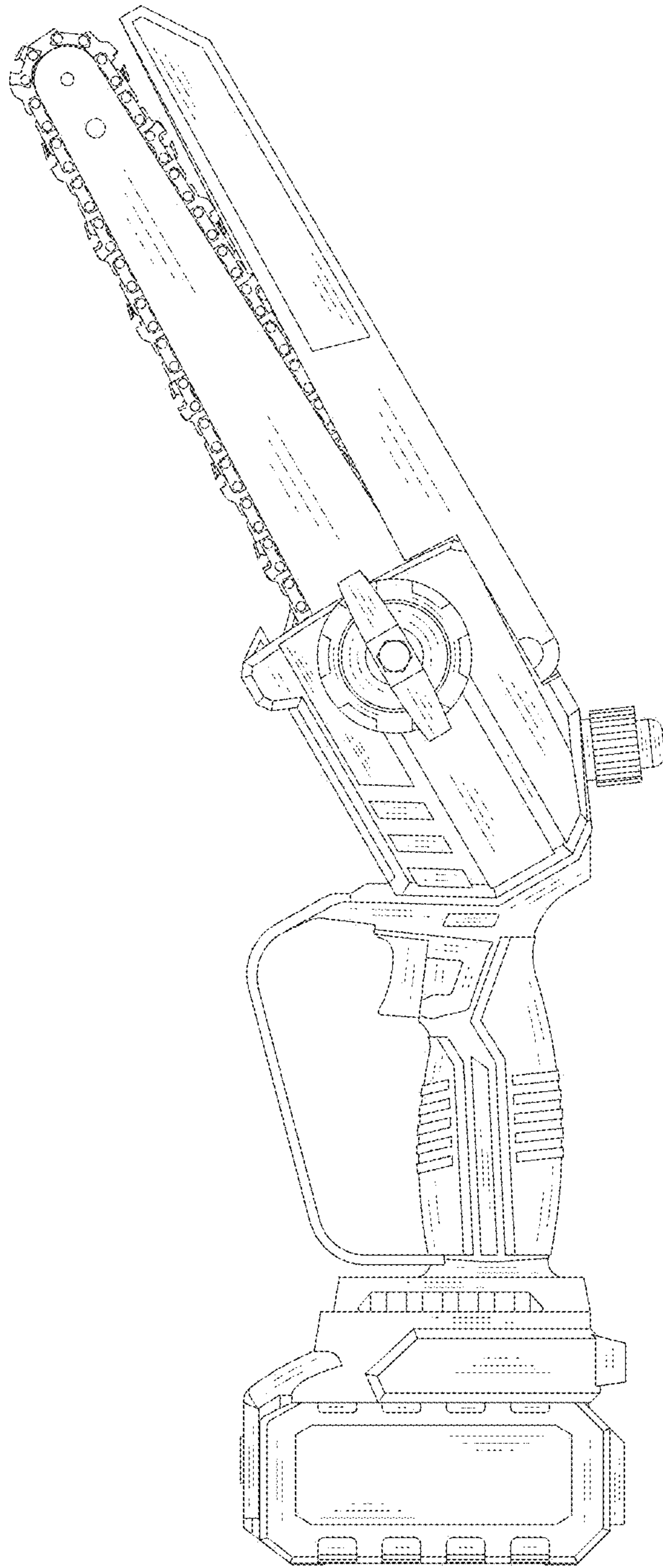


FIG. 4

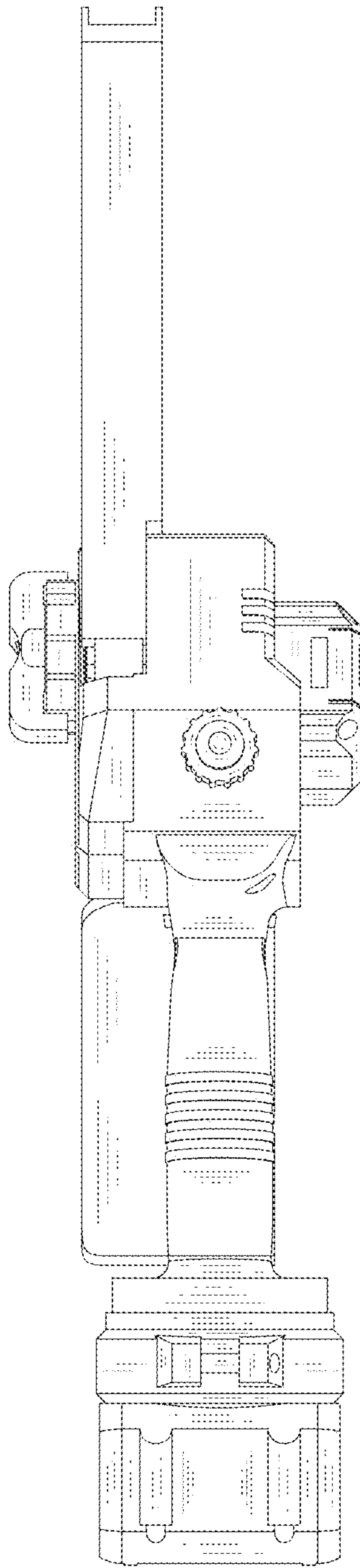


FIG. 5

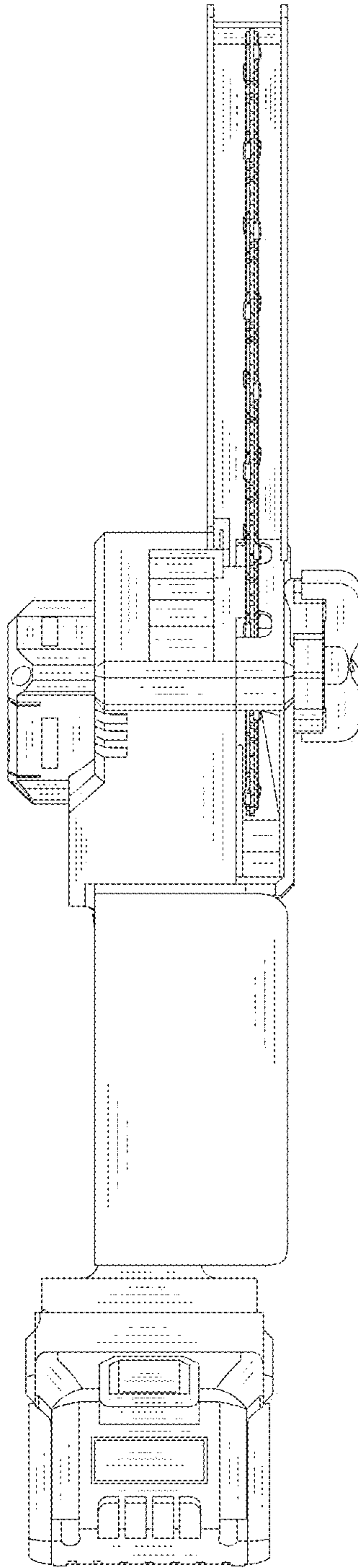


FIG. 6

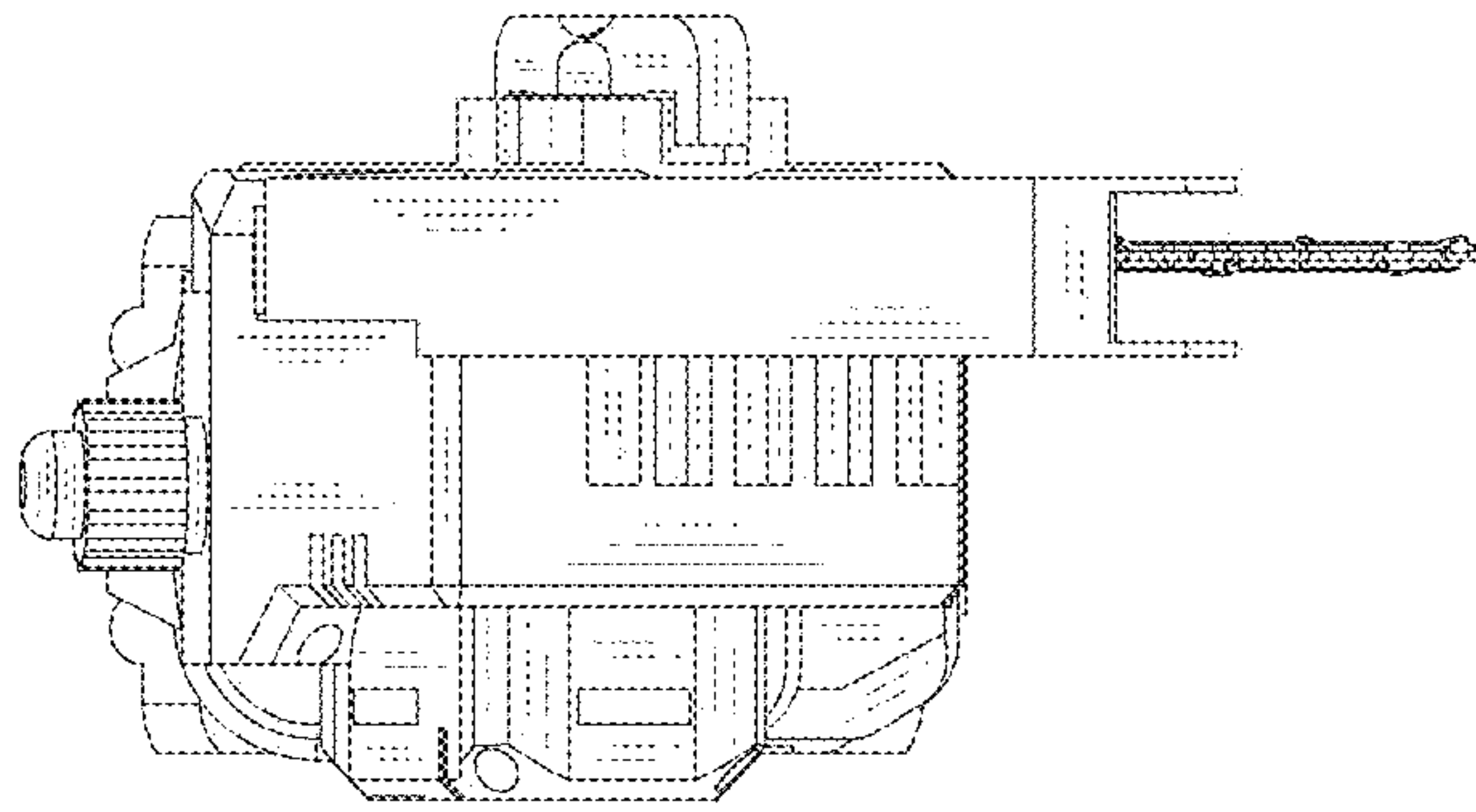


FIG. 7

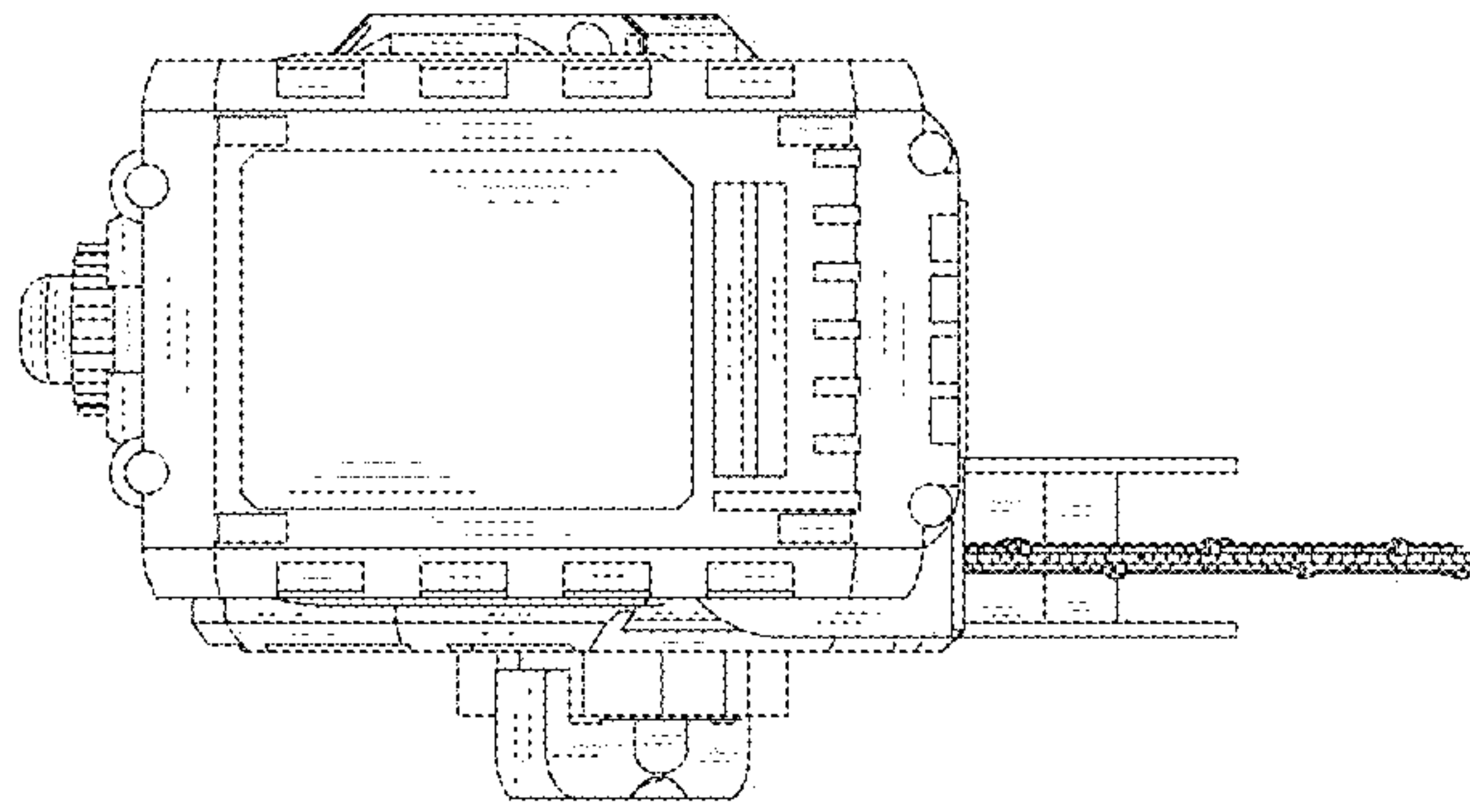


FIG. 8