



US00D980025S

(12) **United States Design Patent**
Lei

(10) **Patent No.:** **US D980,025 S**
(45) **Date of Patent:** **** Mar. 7, 2023**

- (54) **HEAT GUN**
- (71) Applicant: **Jinhua Lei**, Zhongshan (CN)
- (72) Inventor: **Jinhua Lei**, Zhongshan (CN)
- (73) Assignee: **Zhongshan Mofa Plastic Co., Ltd.**,
Guangdong (CN)
- (**) Term: **15 Years**
- (21) Appl. No.: **29/780,193**
- (22) Filed: **Apr. 22, 2021**
- (51) **LOC (14) Cl.** **08-05**
- (52) **U.S. Cl.**
USPC **D8/29.1**
- (58) **Field of Classification Search**
USPC D8/29.1, 29.2, 30, 61, 67, 68; D28/13
CPC A45D 20/08; A45D 20/10; F24H 3/00;
F24H 3/0423
See application file for complete search history.

- D867,842 S * 11/2019 Shimazu D15/144
- D868,554 S * 12/2019 Shimazu D8/29.1
- D919,393 S * 5/2021 Yin D8/29.1
- D928,574 S * 8/2021 Zheng F24F 11/36
D8/29.1
- D931,070 S * 9/2021 Deng D8/29.1
- D947,631 S * 4/2022 Yang D8/29.1
- 2003/0235462 A1 * 12/2003 Cheng F24H 9/06
403/329
- 2010/0212095 A1 * 8/2010 Suen B44D 3/166
15/105
- 2013/0228232 A1 * 9/2013 Chen F24H 9/00
137/335
- 2013/0230816 A1 * 9/2013 Chen F23D 1/00
431/158
- 2016/0201945 A1 * 7/2016 Han F24H 3/0423
392/385
- 2022/0065469 A1 * 3/2022 Yajima F24F 11/36

* cited by examiner

Primary Examiner — Philip S Hyder

(57) **CLAIM**

The ornamental design for a heat gun, as shown and described.

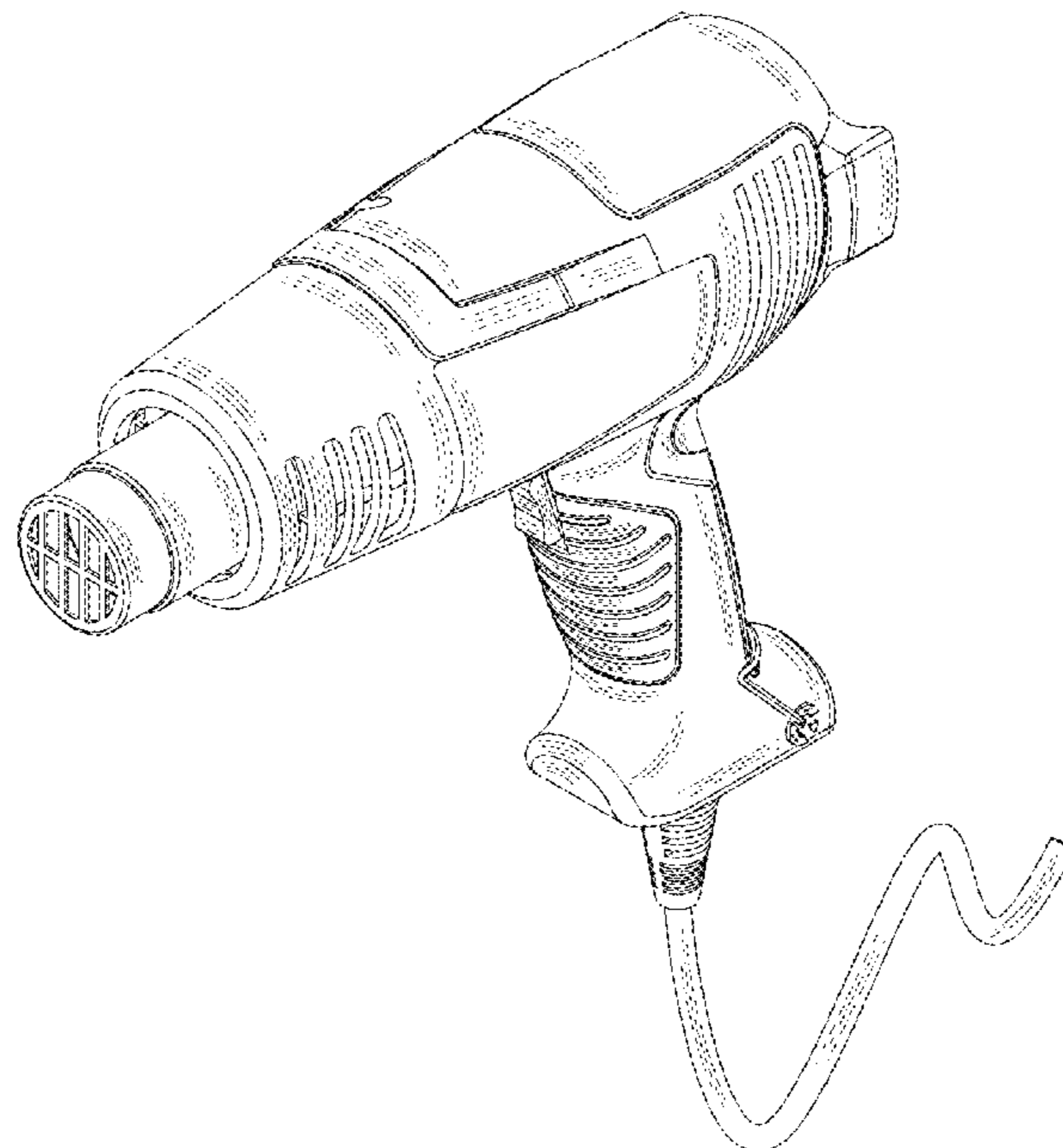
DESCRIPTION

FIG. 1 is a front and bottom perspective view of a heat gun showing my new design;
 FIG. 2 is a front and top perspective view thereof;
 FIG. 3 is a front elevation view thereof;
 FIG. 4 is a rear elevation view thereof;
 FIG. 5 is a left side elevation view thereof;
 FIG. 6 is a right side elevation view thereof;
 FIG. 7 is a top plan view thereof, shown enlarged in scale;
 and,
 FIG. 8 is a bottom plan view thereof, shown enlarged in scale.

1 Claim, 8 Drawing Sheets

(56) **References Cited**
U.S. PATENT DOCUMENTS

- D296,070 S * 6/1988 Cunningham D28/13
- D388,297 S * 12/1997 Buttenbender D8/29.1
- D481,277 S * 10/2003 Waldron D8/29.1
- D516,883 S * 3/2006 Popov D8/29.1
- D617,618 S * 6/2010 Steinel D28/13
- D639,129 S * 6/2011 Van Wambeke D8/29.1
- D641,220 S * 7/2011 Shi F24H 3/0423
D8/29.1
- D664,820 S * 8/2012 Furling D8/29.1
- D740,629 S * 10/2015 Furling B44D 3/166
D8/29.1
- D803,649 S * 11/2017 van der Rest D8/68
- D829,519 S * 10/2018 Teraoka F24H 9/06
D8/29.1
- D846,963 S * 4/2019 van der Rest D8/68



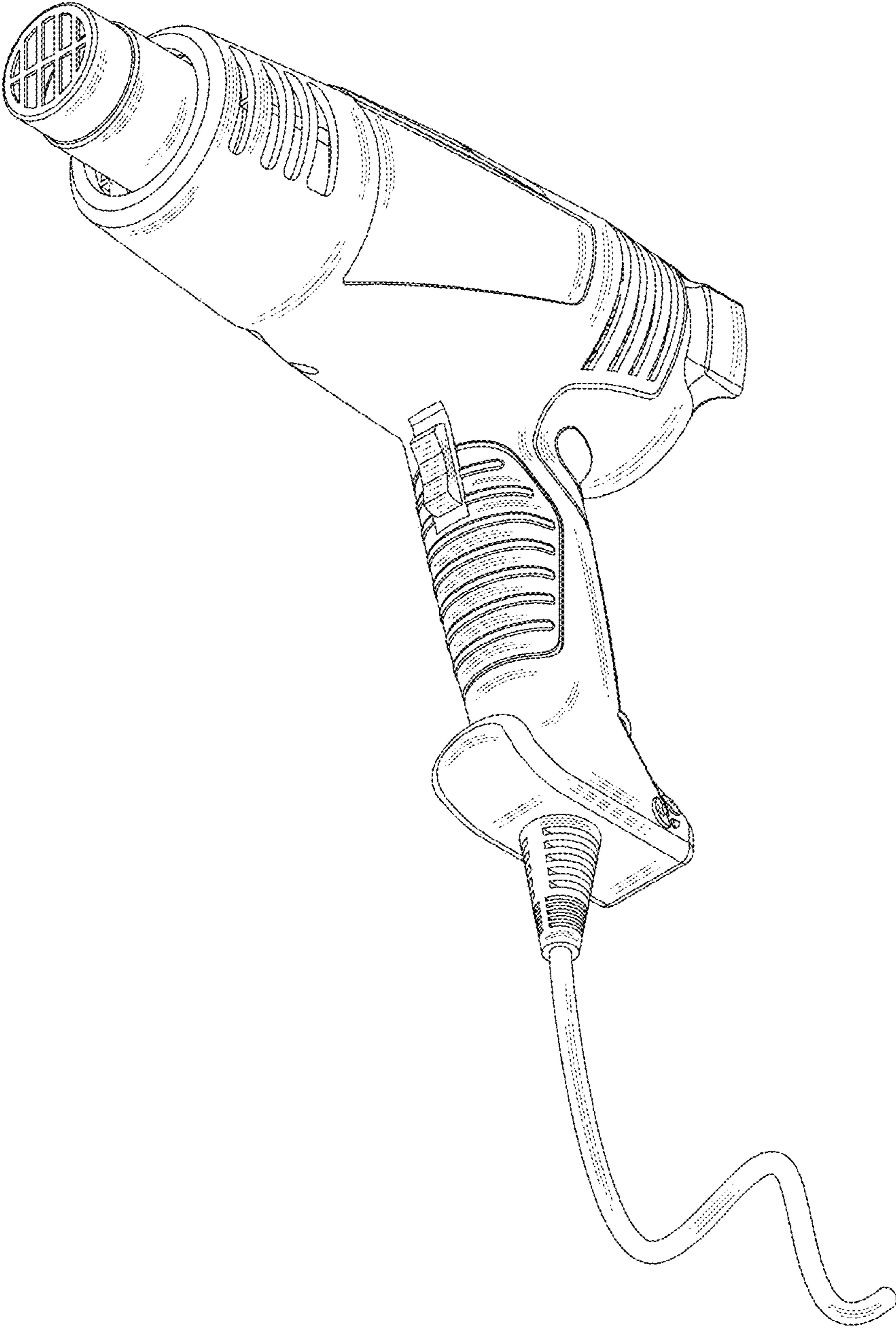


FIG.1

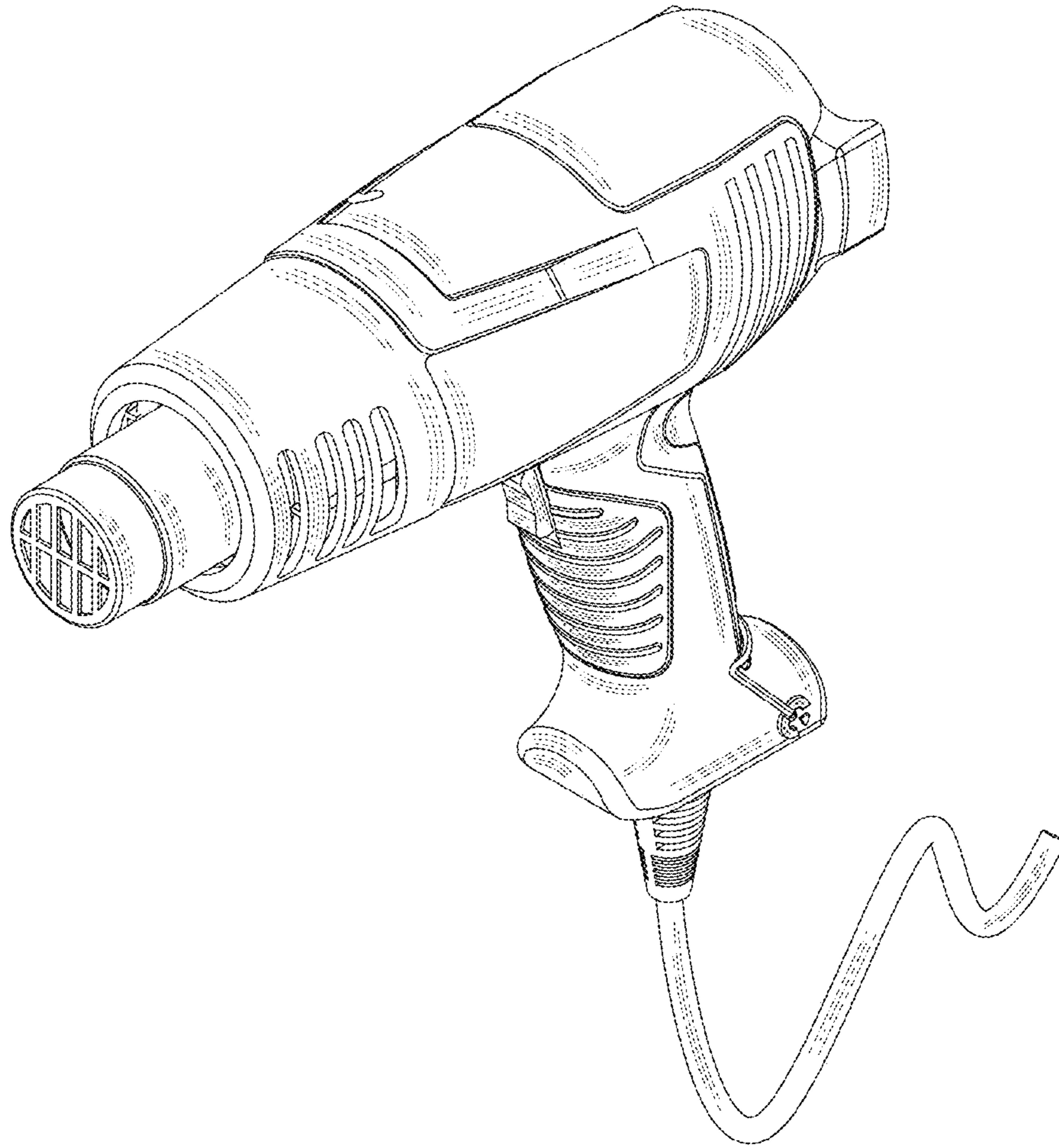


FIG.2

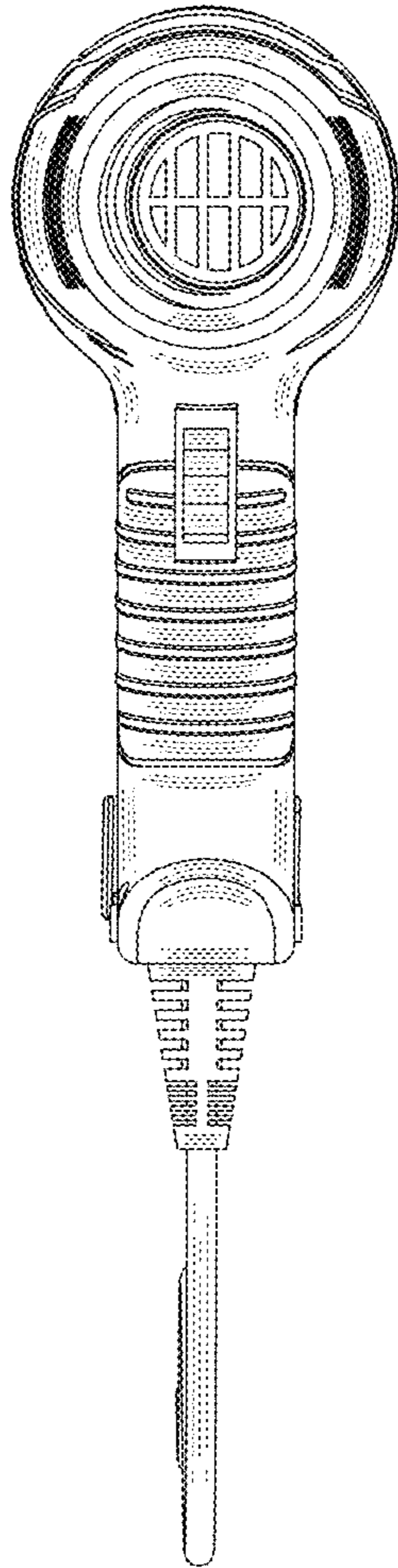


FIG.3

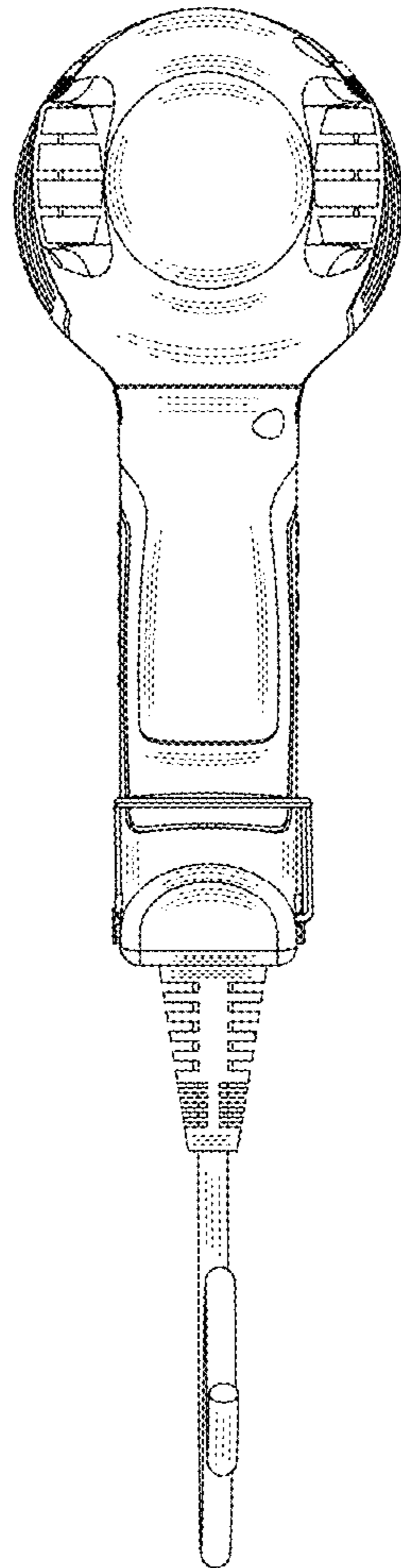


FIG.4

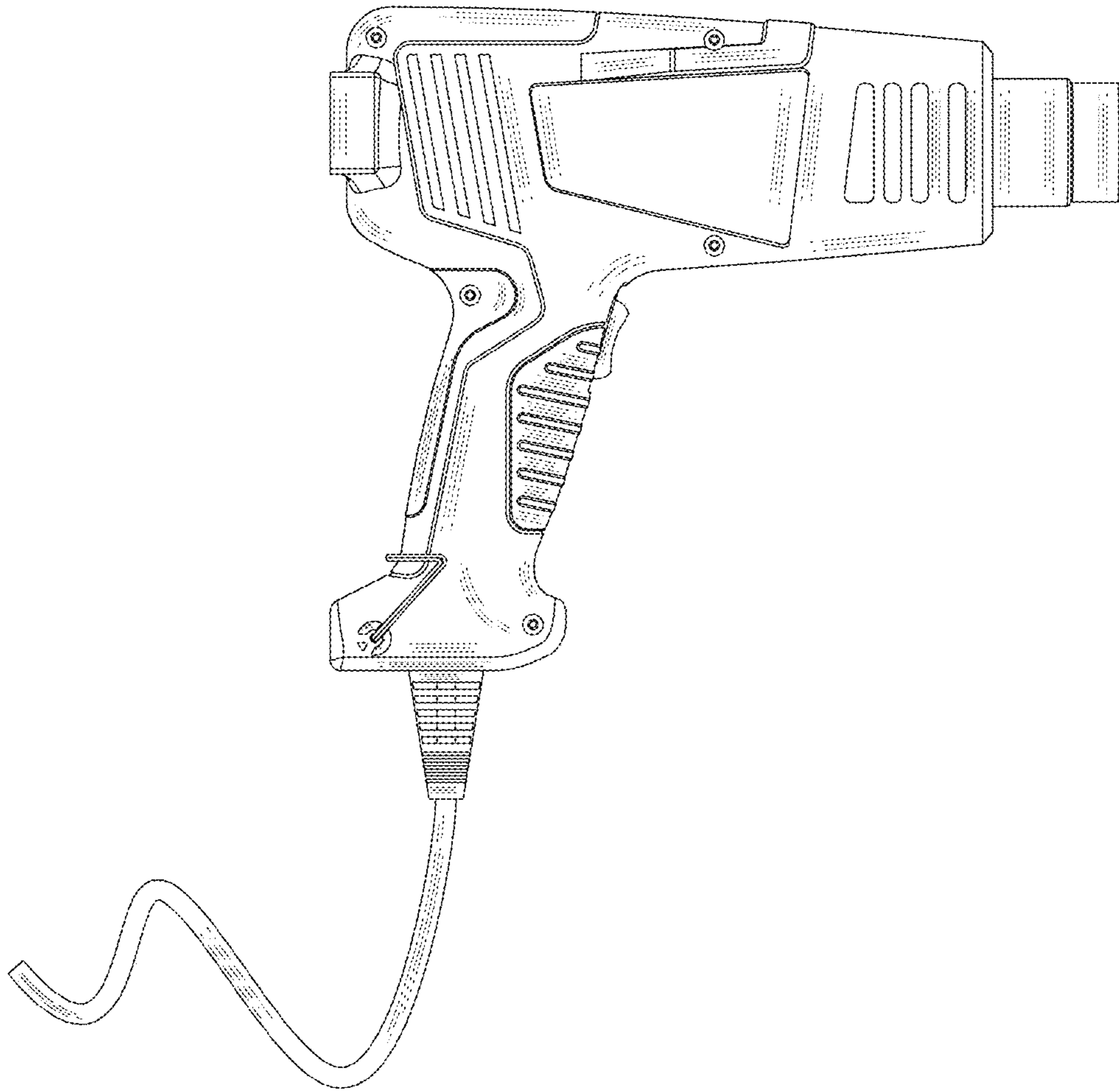


FIG.5

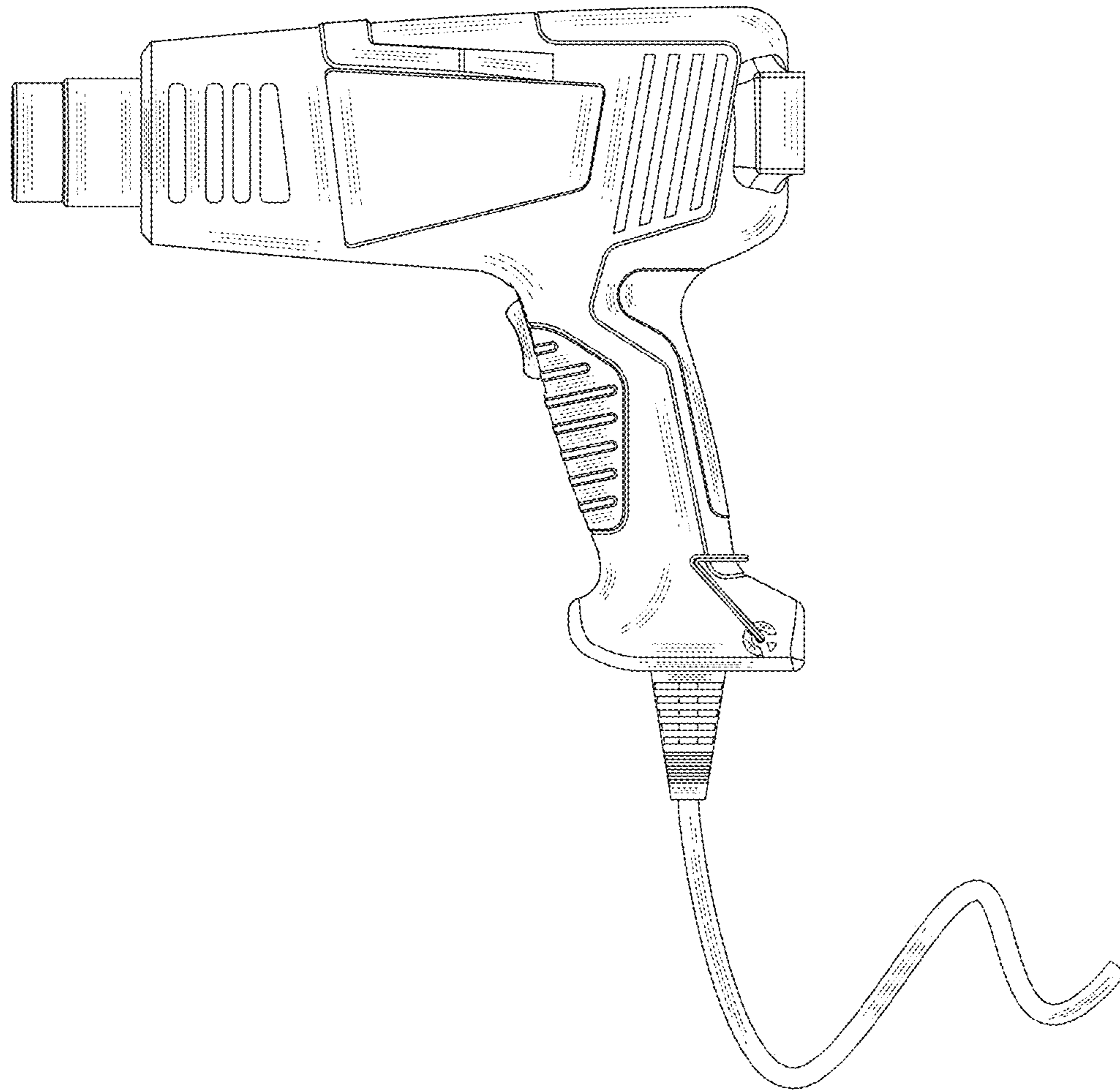


FIG.6

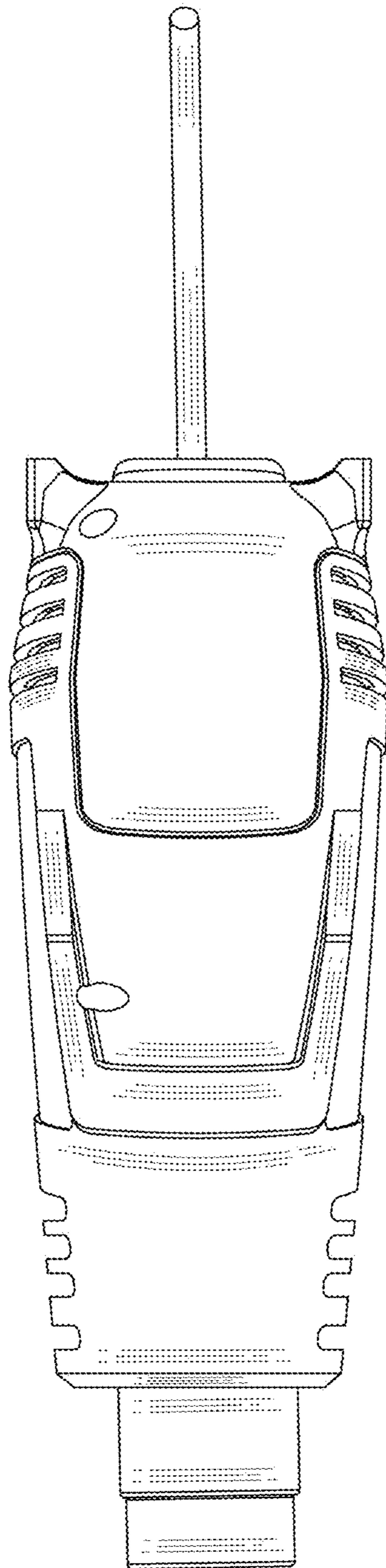


FIG. 7

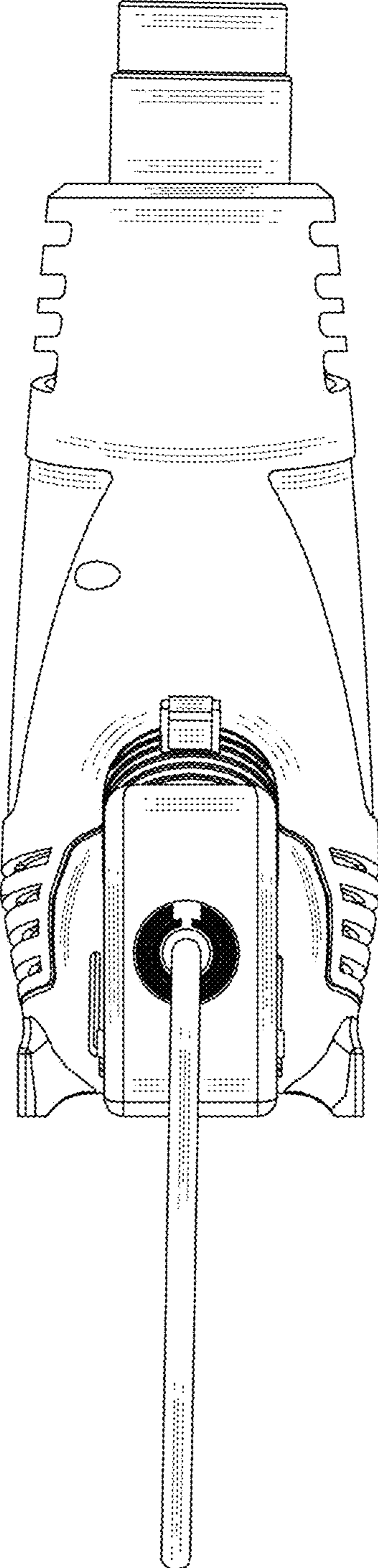


FIG. 8