



US00D980024S

(12) **United States Design Patent**
Krus et al.

(10) **Patent No.:** **US D980,024 S**
(45) **Date of Patent:** **** Mar. 7, 2023**

- (54) **MUSHROOM CORER/BRUSH**
- (71) Applicant: **Lifetime Brands, Inc.**, Garden City, NY (US)
- (72) Inventors: **Matt Krus**, Seattle, WA (US); **Ian Morgan**, Seattle, WA (US); **Sami Piercy**, Seattle, WA (US)
- (73) Assignee: **Lifetime Brands, Inc.**, Garden City, NY (US)
- (**) Term: **15 Years**
- (21) Appl. No.: **29/779,126**
- (22) Filed: **Apr. 16, 2021**
- (51) **LOC (14) Cl.** **07-04**
- (52) **U.S. Cl.**
USPC **D7/693**; D4/116
- (58) **Field of Classification Search**
USPC D7/680–696, 393, 395, 668, 368;
D4/199, 118, 116
CPC .. A47J 17/02; A47J 17/00; A47J 17/04; A47J 17/06; A47J 17/08; A47J 17/10
See application file for complete search history.

- D721,252 S * 1/2015 Harris D7/693
- D856,097 S * 8/2019 Davies D7/693
- D904,138 S * 12/2020 Veldkamp D7/693

OTHER PUBLICATIONS

Amazon.com, Worutuk, Coffee Spoon with Espresso Grinder Brush, ASIN: B09CYNXYR, 7 pages, date first available Aug. 18, 2021 (Year: 2021).*

Amazon.com, Chef’N ShroomBroom Mushroom Cleaning Brush and Corer, ASIN: B099NYTY1R, 10 pages date fist available Jul. 16, 2021 (Year: 2021).*

* cited by examiner

Primary Examiner — Terry A Wallace

(74) *Attorney, Agent, or Firm* — Tutunjian & Bitetto, P.C.

(57) **CLAIM**

The ornamental design for a mushroom corer/brush, as shown and described.

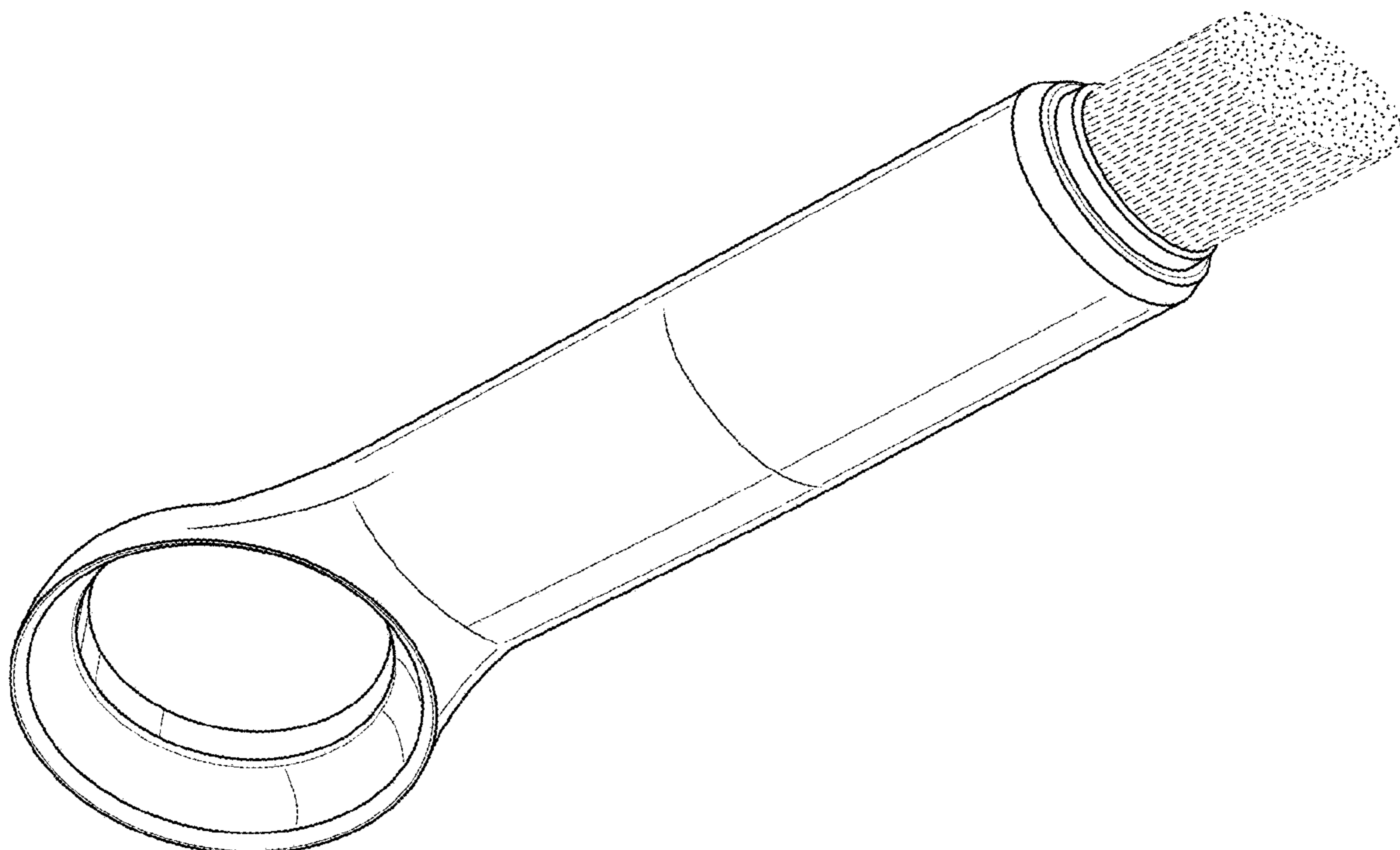
DESCRIPTION

FIG. 1 is a top perspective view of the mushroom corer/brush showing our new design;
 FIG. 2 is a right side view thereof;
 FIG. 3 is a front view thereof;
 FIG. 4 is a left side view thereof, the left side being identical to the right side view;
 FIG. 5 is a rear view thereof;
 FIG. 6 is a top view thereof; and,
 FIG. 7 is a bottom view thereof.

The broken lines in the drawings depict structure that forms no part of the claimed design.

1 Claim, 3 Drawing Sheets

- (56) **References Cited**
U.S. PATENT DOCUMENTS
- | | | | | | |
|-----------|-----|---------|----------|-------|------------|
| 3,611,849 | A * | 10/1971 | Domonkos | | A47G 21/06 |
| | | | | | 83/13 |
| D370,098 | S * | 5/1996 | Chou | | D4/118 |
| D488,361 | S * | 4/2004 | Bertulis | | D7/693 |
| D515,884 | S * | 2/2006 | Holcomb | | D7/693 |
| D528,379 | S * | 9/2006 | Dorion | | D7/693 |



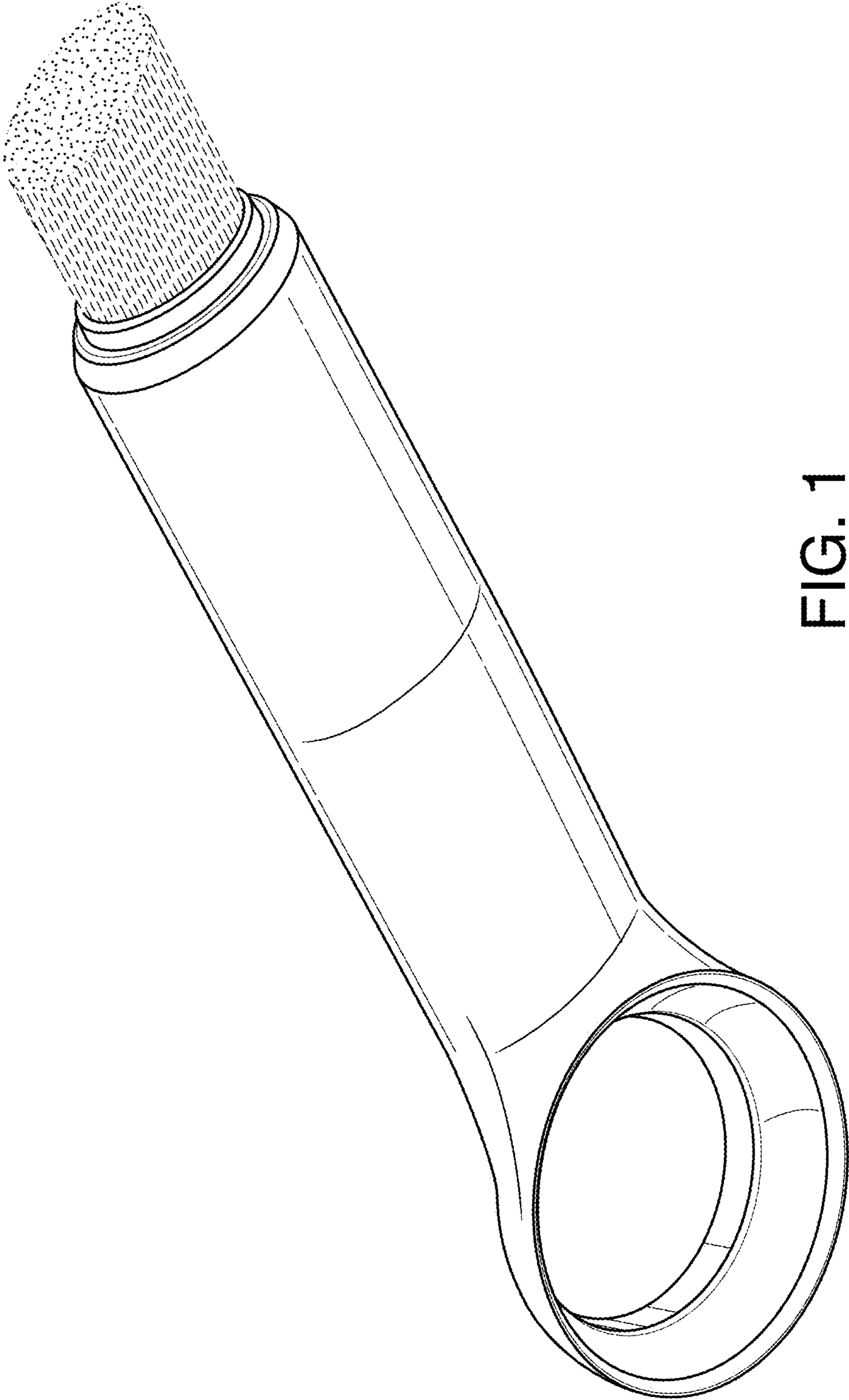


FIG. 1

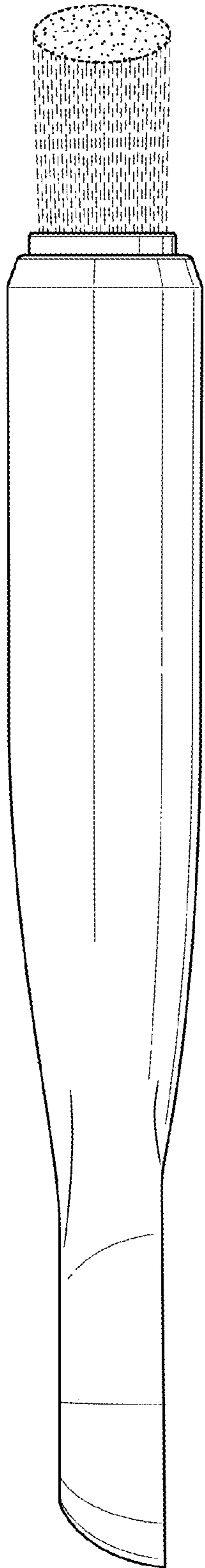


FIG. 2

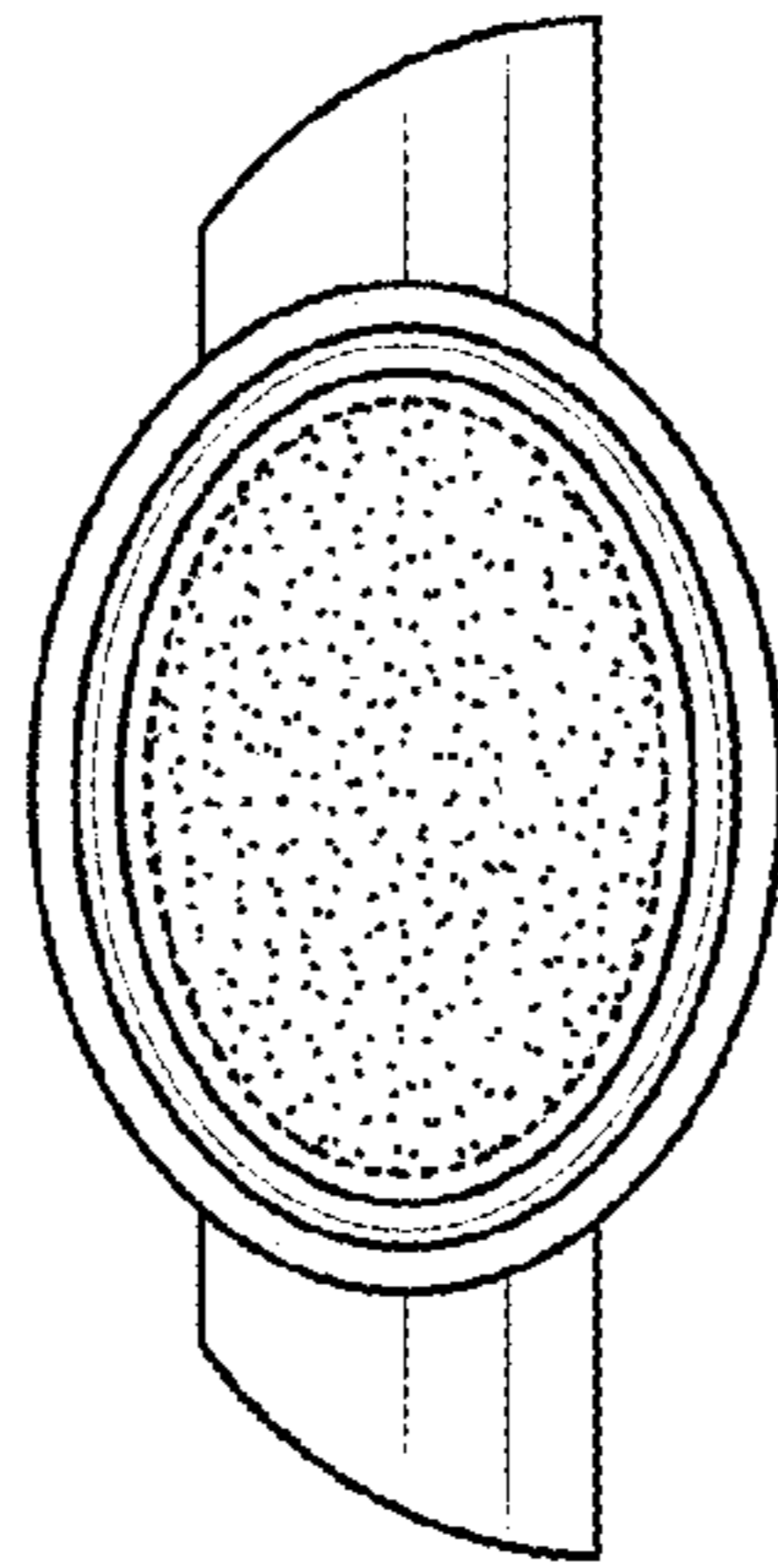


FIG. 3

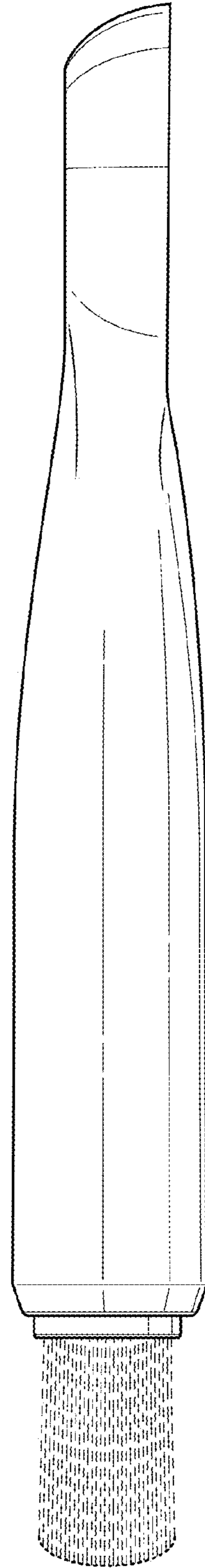


FIG. 4

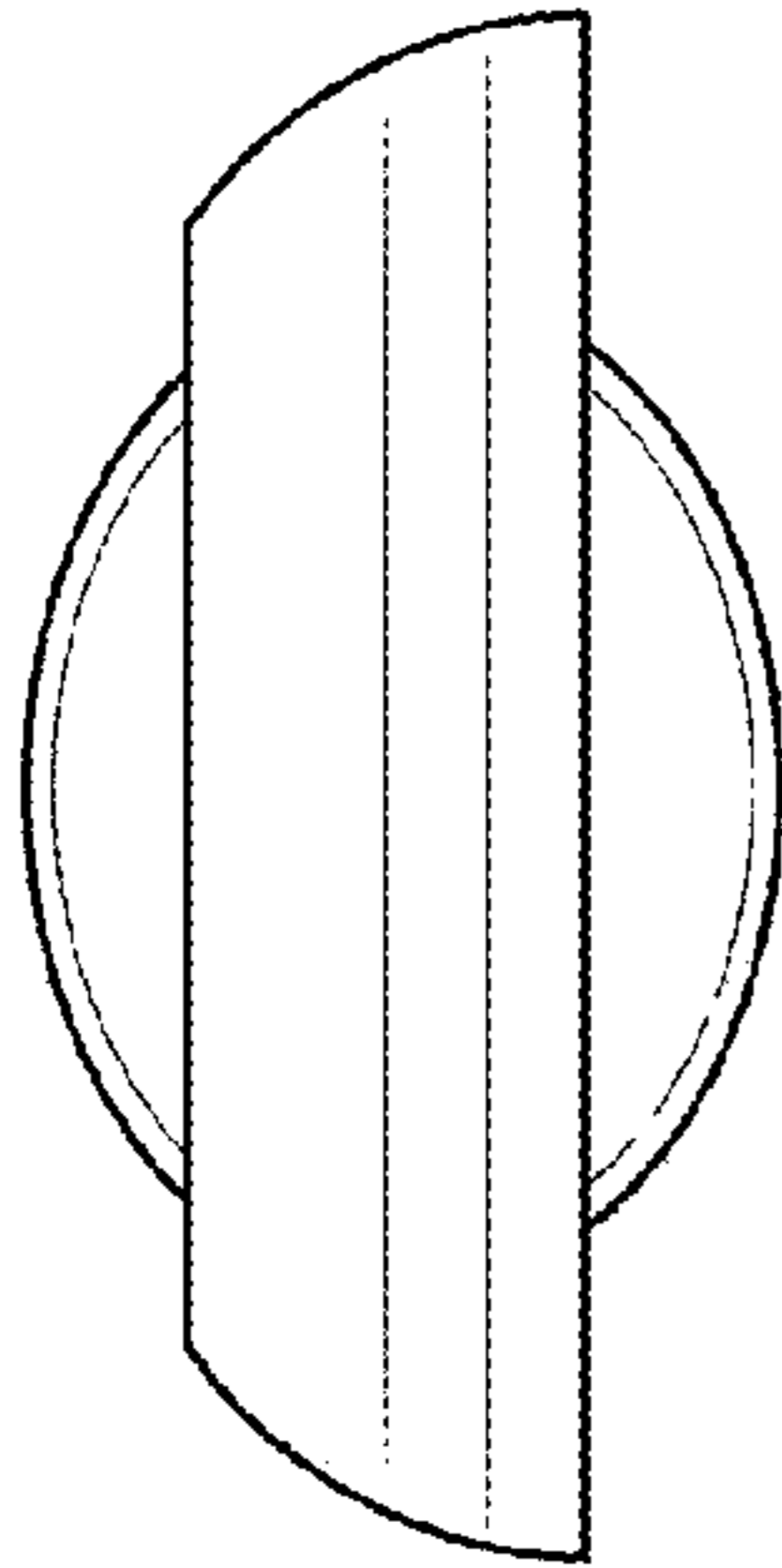


FIG. 5

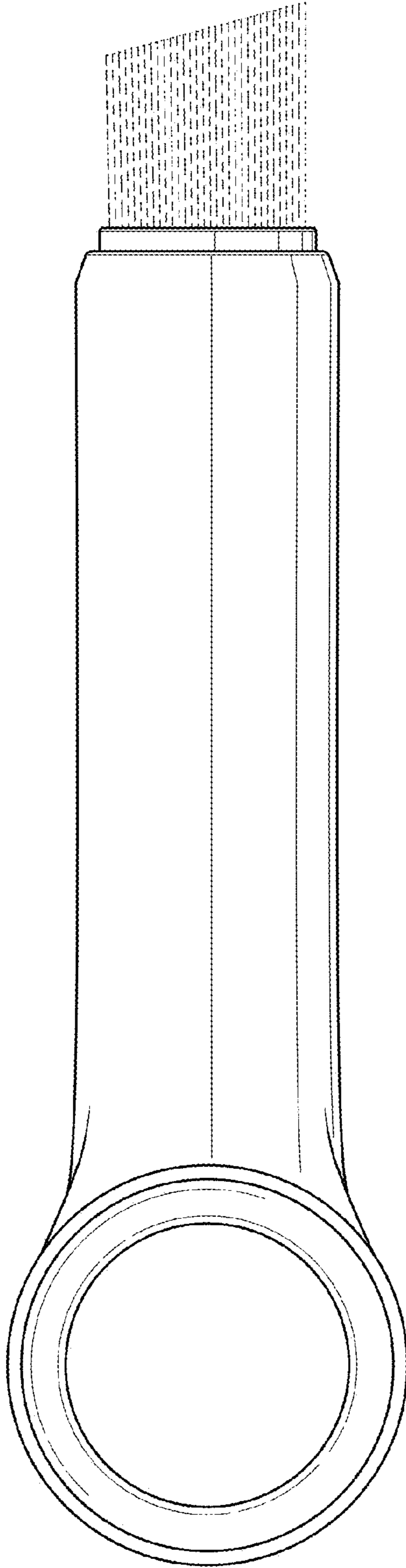


FIG. 6

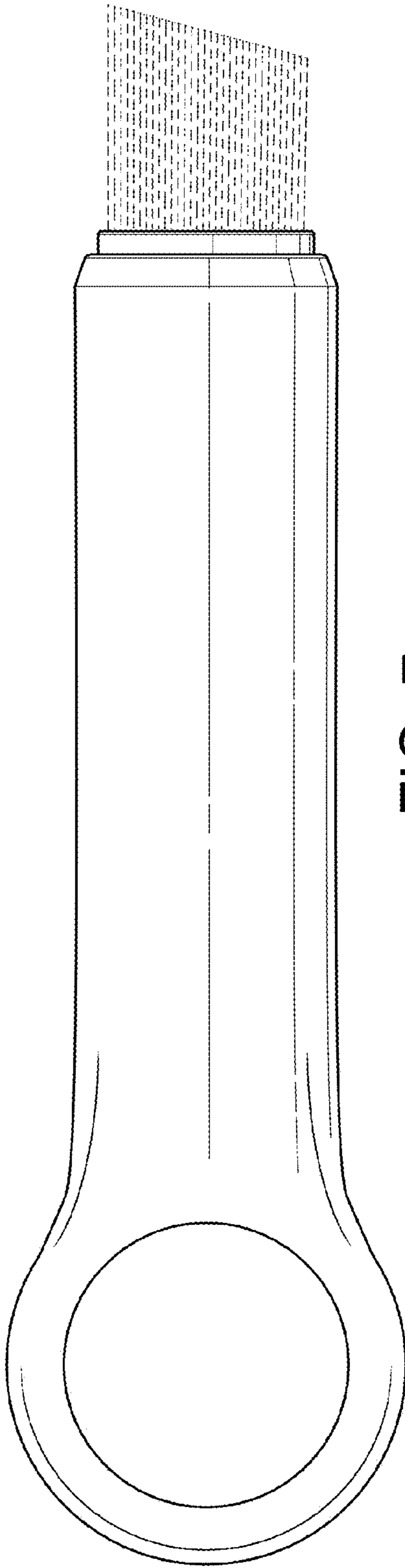


FIG. 7