



US00D980021S

(12) **United States Design Patent** (10) **Patent No.:** **US D980,021 S**  
**Xing** (45) **Date of Patent:** **\*\* Mar. 7, 2023**

(54) **KITCHEN ACCESSORY STORAGE DEVICE**

(71) Applicant: **Foshan Jushen Technology Co., Ltd.**,  
Foshan (CN)

(72) Inventor: **Bo Xing**, Foshan (CN)

(\*\*) Term: **15 Years**

(21) Appl. No.: **29/852,216**

(22) Filed: **Sep. 5, 2022**

(51) **LOC (14) Cl.** ..... **07-09**

(52) **U.S. Cl.**  
USPC ..... **D7/600.4**

(58) **Field of Classification Search**  
USPC ..... D7/590, 600.1, 600.4; D6/663, 655,  
D6/655.1, 671, 672

CPC ..... A47B 88/00; A47B 88/40; A47B 88/403;  
A47B 88/80; A47B 88/969; A47B 88/994  
See application file for complete search history.

(56) **References Cited**

**U.S. PATENT DOCUMENTS**

D283,183 S *	4/1986	Bendixen	.....	D6/661
D286,958 S *	12/1986	Gualtieri	.....	D6/671.4
D306,240 S *	2/1990	Newhouse	.....	D6/663
D311,649 S *	10/1990	Keller	.....	D6/671
D370,144 S *	5/1996	Insalaco	.....	D6/703
D433,842 S *	11/2000	Hawang	.....	D6/671
D441,213 S *	5/2001	van de Oudeweetering	.....	D6/655.1
D596,424 S *	7/2009	Noe	.....	D6/678.1
D629,232 S *	12/2010	Forcellina	.....	D6/675.1
D694,561 S *	12/2013	Eckert	.....	D6/705
9,565,936 B2 *	2/2017	Chen	.....	A47B 88/42
D800,482 S	10/2017	Alvey		
D842,010 S *	3/2019	Berger	.....	D6/675
D888,432 S *	6/2020	Chen	.....	D3/318

**OTHER PUBLICATIONS**

Rev-A-Shelf Storage Rack | posted a Amazon.com, posted on Apr. 18, 2017, © 1996-2022 Amazon.com, [online], [site visited Dec. 30, 2022]. Available from Internet, <URL: <https://www.amazon.com/dp/B072289YK6/>> (Year: 2017).\*

\* cited by examiner

*Primary Examiner* — Andrew Kerr

(74) *Attorney, Agent, or Firm* — Jeenam Park

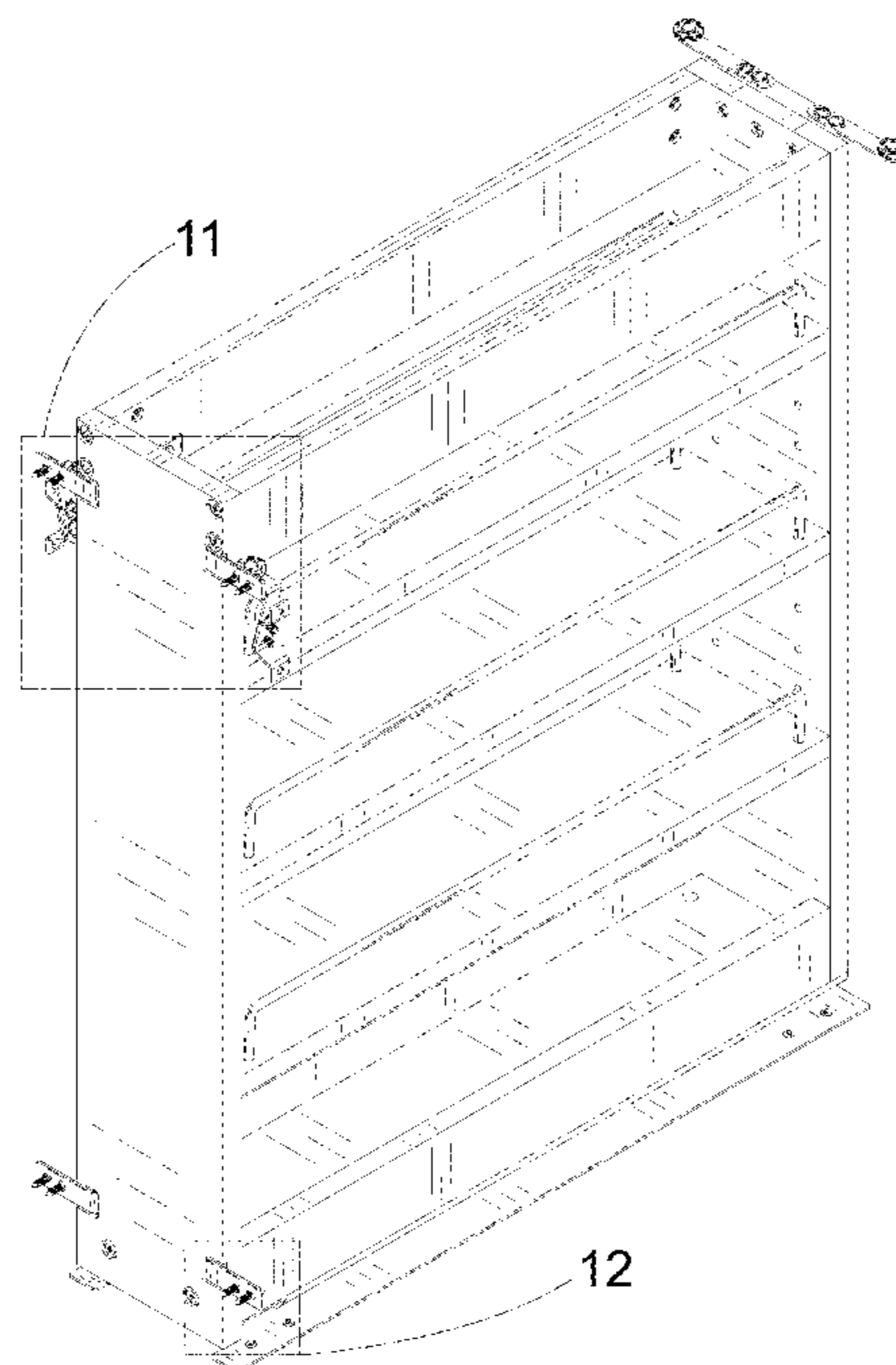
(57) **CLAIM**

The ornamental design for a kitchen accessory storage device, as shown and described.

**DESCRIPTION**

FIG. 1 is a rear, right and top perspective view of a kitchen accessory storage device, showing my new design; FIG. 2 is a front, left and bottom perspective view thereof; FIG. 3 is a front elevation view thereof; FIG. 4 is a rear elevation view thereof; FIG. 5 is a left-side elevation view thereof; FIG. 6 is a right-side elevation view thereof; FIG. 7 is a top plan view thereof; FIG. 8 is a bottom plan view thereof; FIG. 9 is a front, left and bottom perspective view thereof; FIG. 10 is an enlarged view of area 10 in FIG. 9; FIG. 11 is an enlarged view of area 11 in FIG. 1; FIG. 12 is an enlarged view of area 12 in FIG. 1; FIG. 13 is an enlarged view of area 13 in FIG. 2; FIG. 14 is an enlarged view of area 14 in FIG. 2; and, FIG. 15 is an enlarged view of area 15 in FIG. 2. The dot-dash broken lines depict the boundaries of the enlargements that form no part of the claimed design.

**1 Claim, 15 Drawing Sheets**



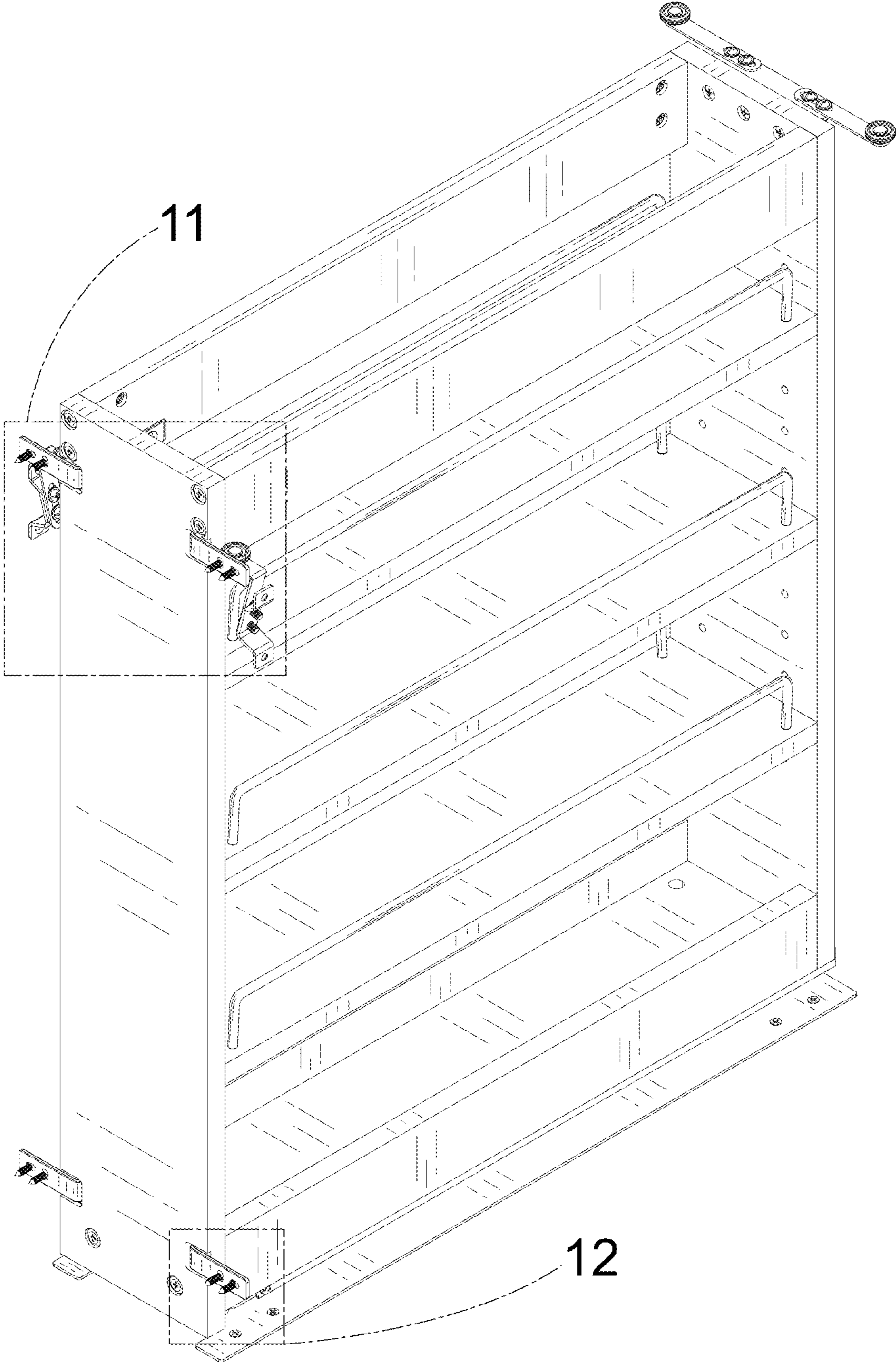


FIG. 1



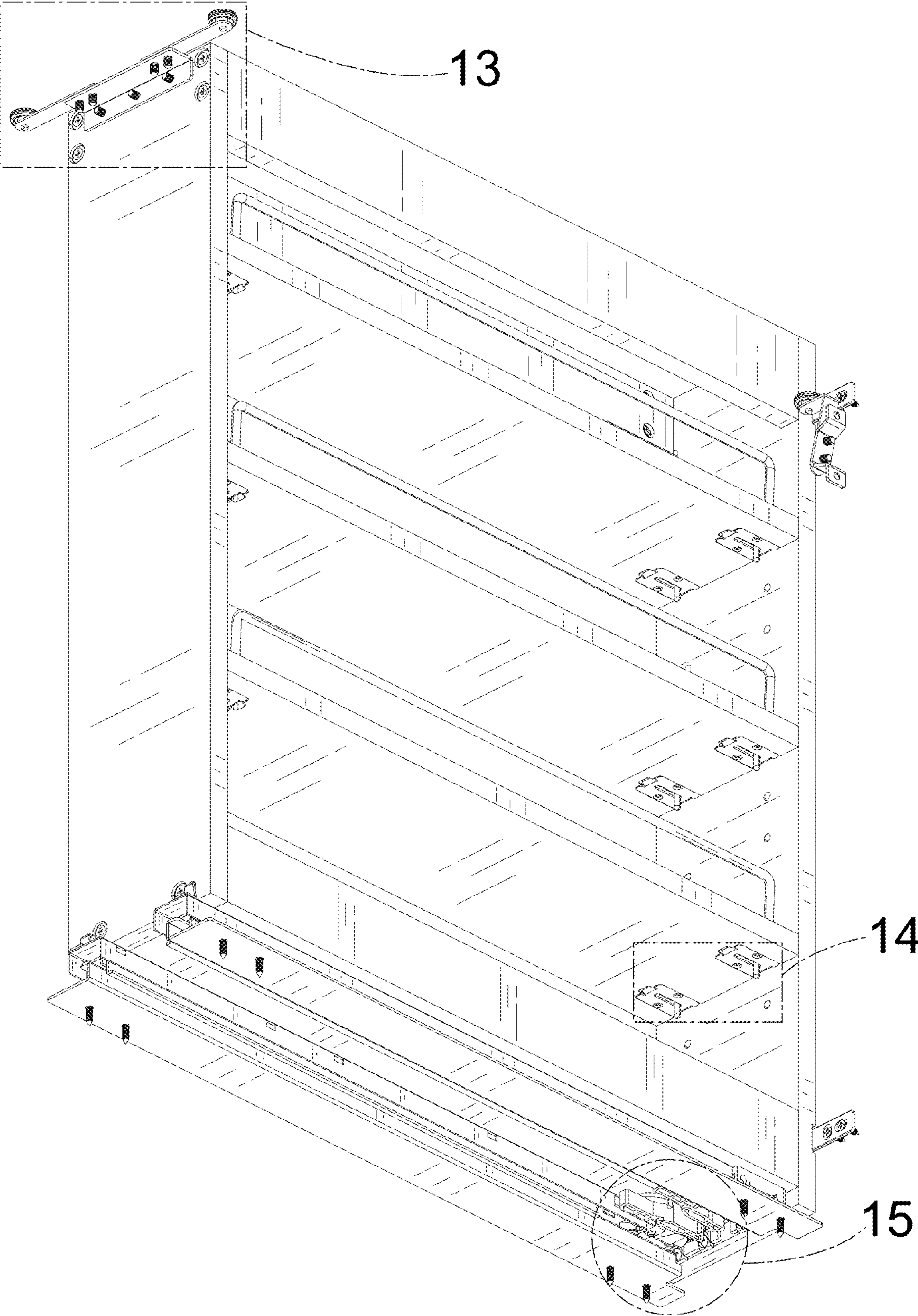


FIG. 2

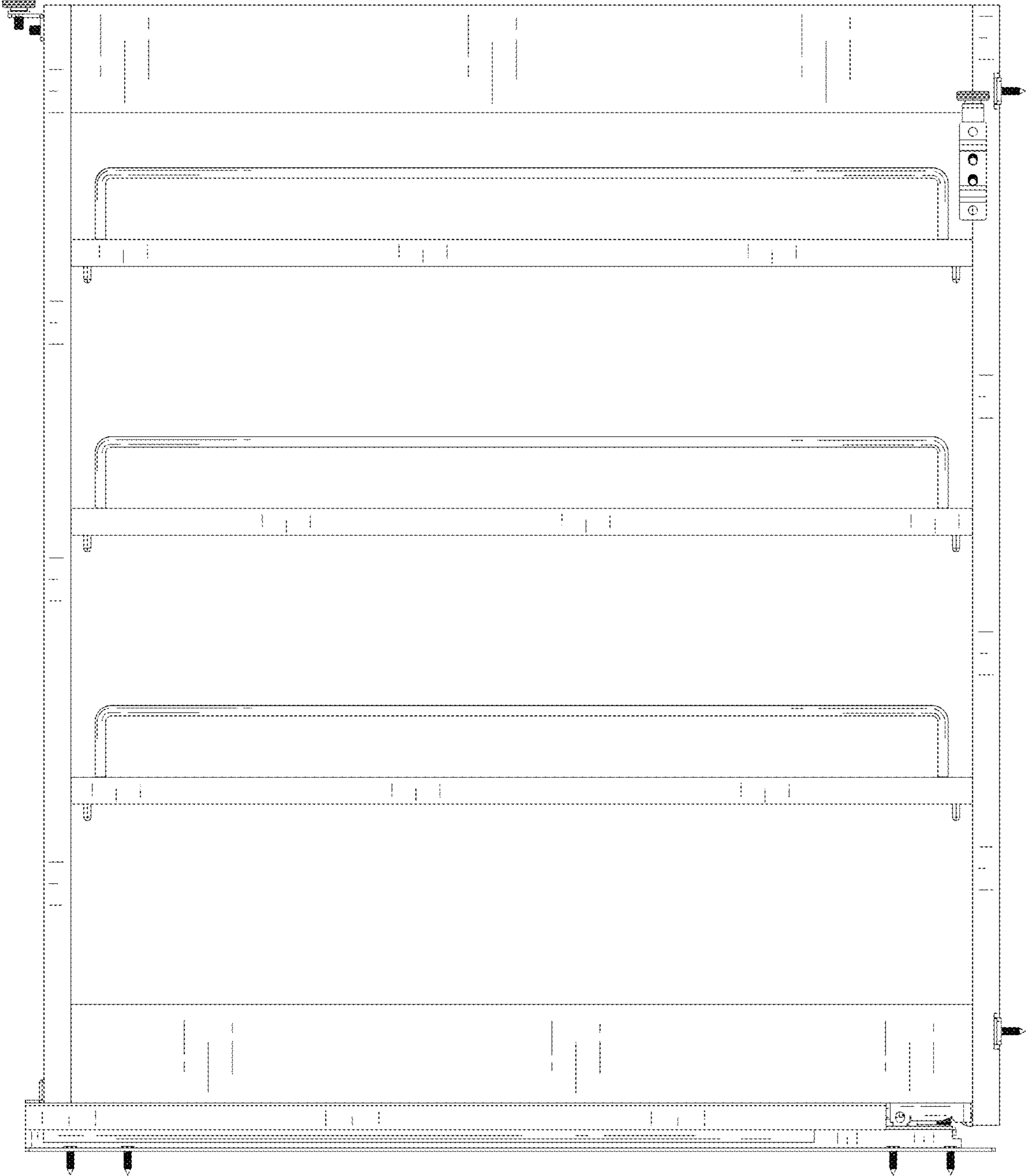


FIG. 3

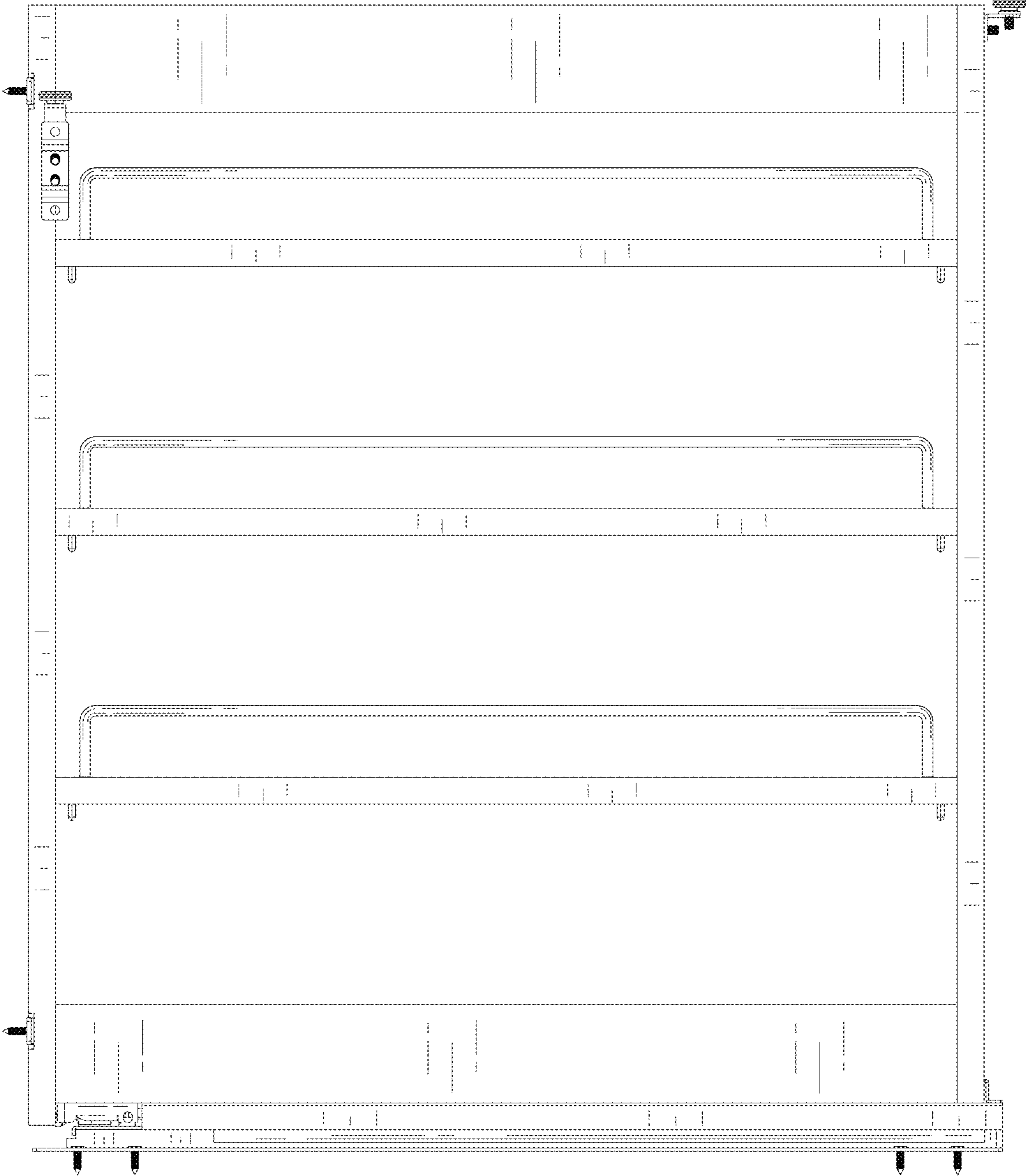


FIG. 4

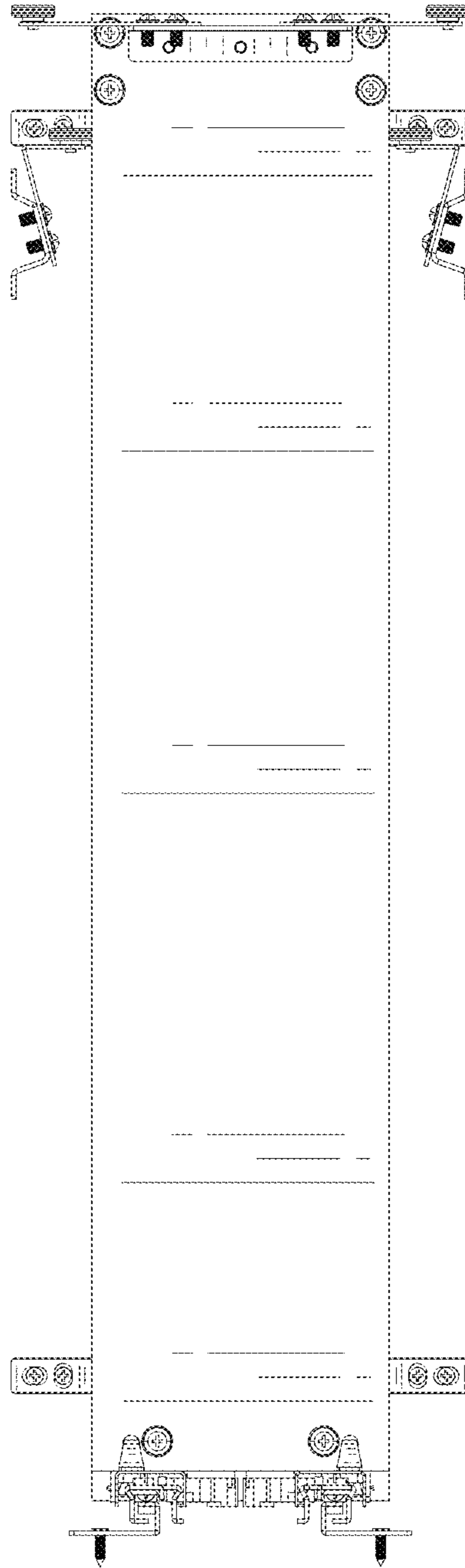


FIG. 5

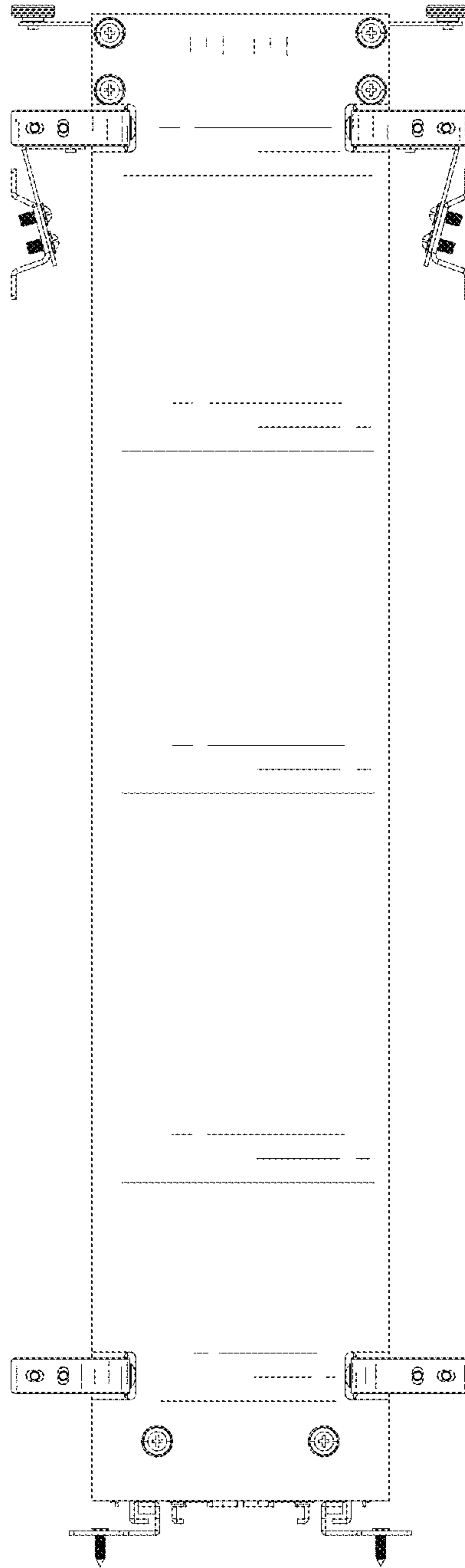


FIG. 6

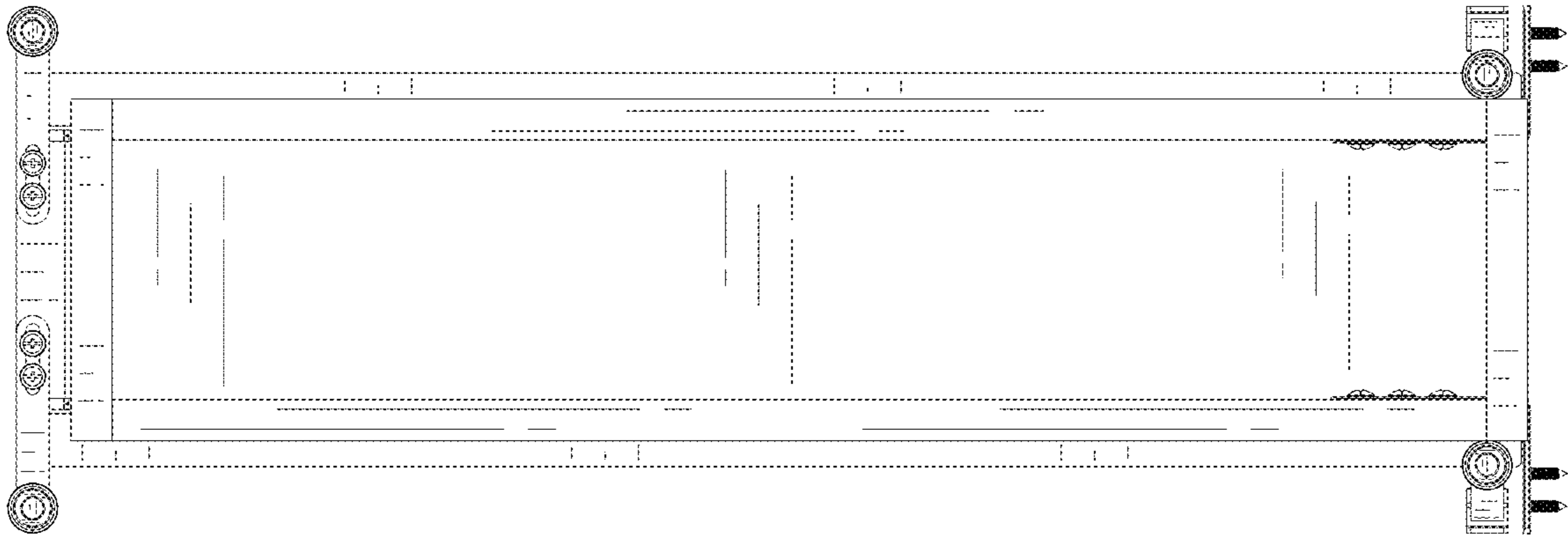


FIG. 7



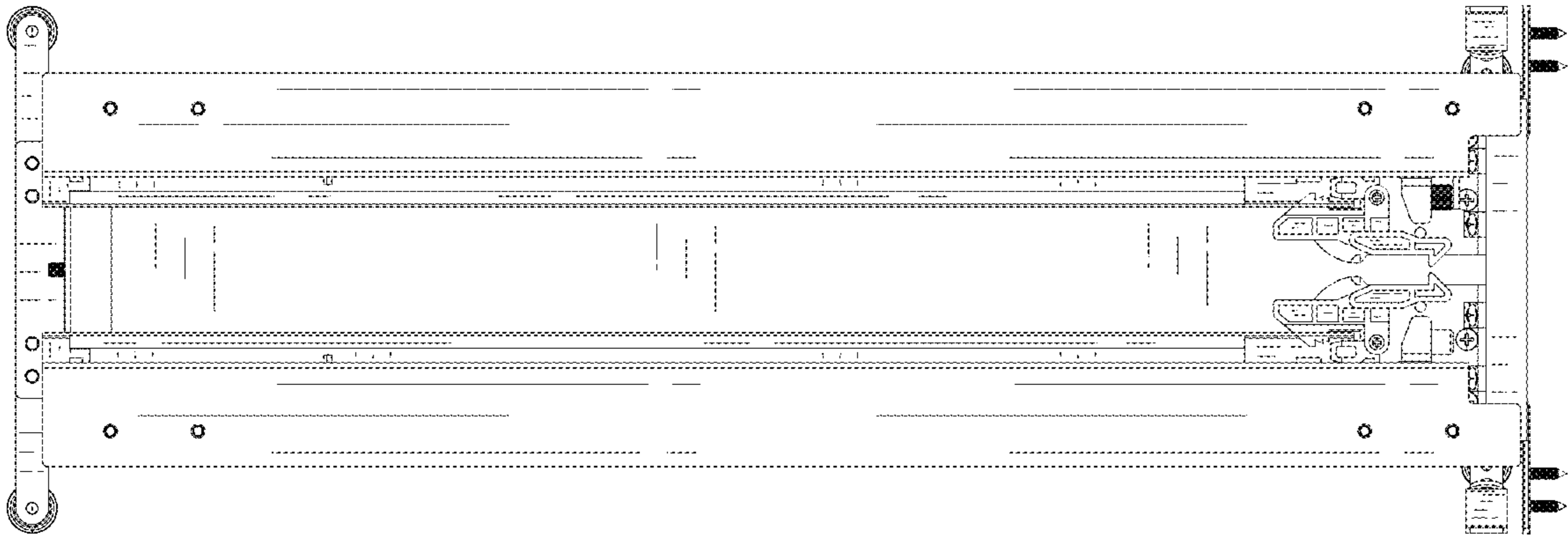


FIG. 8

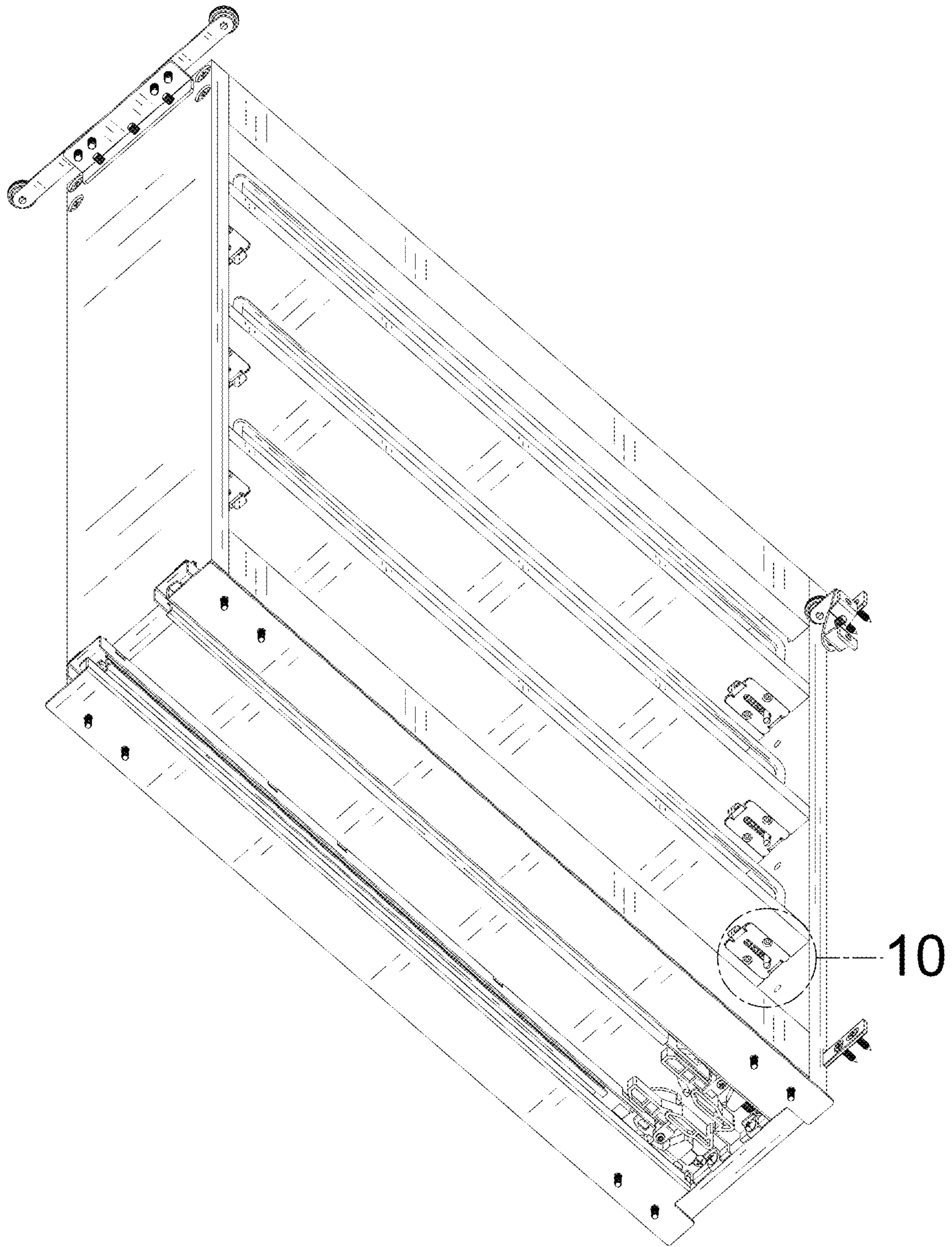


FIG. 9

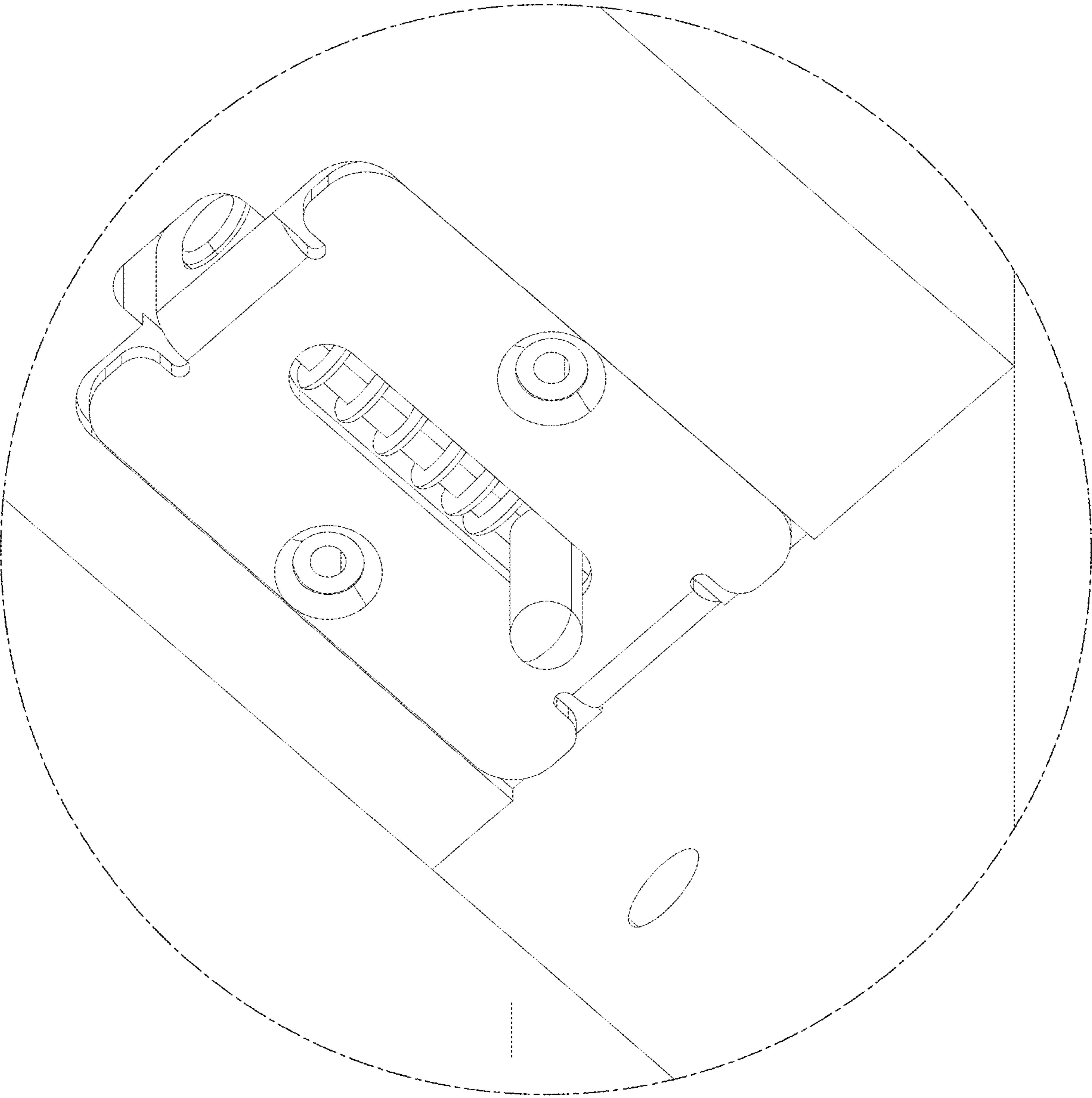


FIG. 10

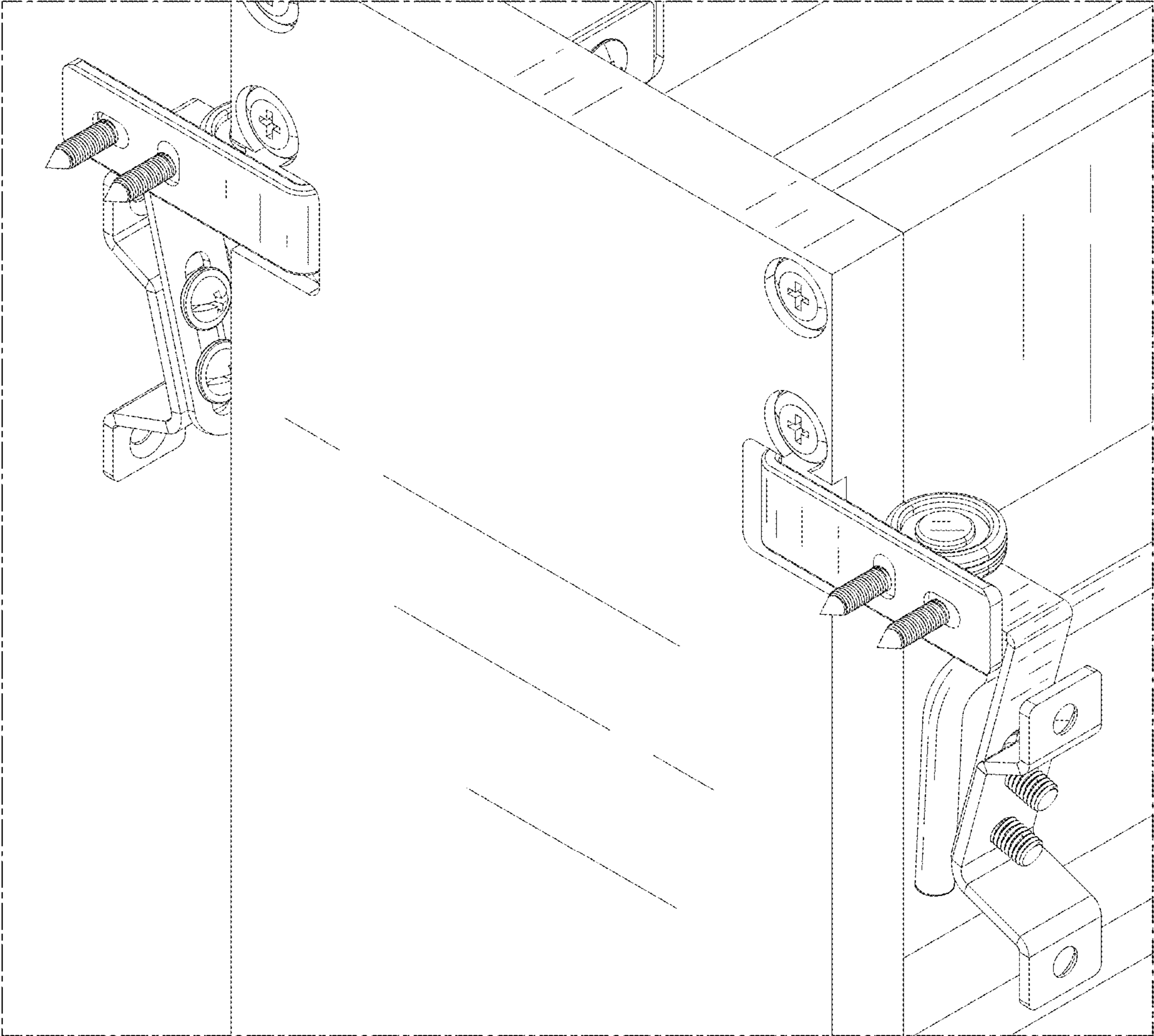


FIG. 11



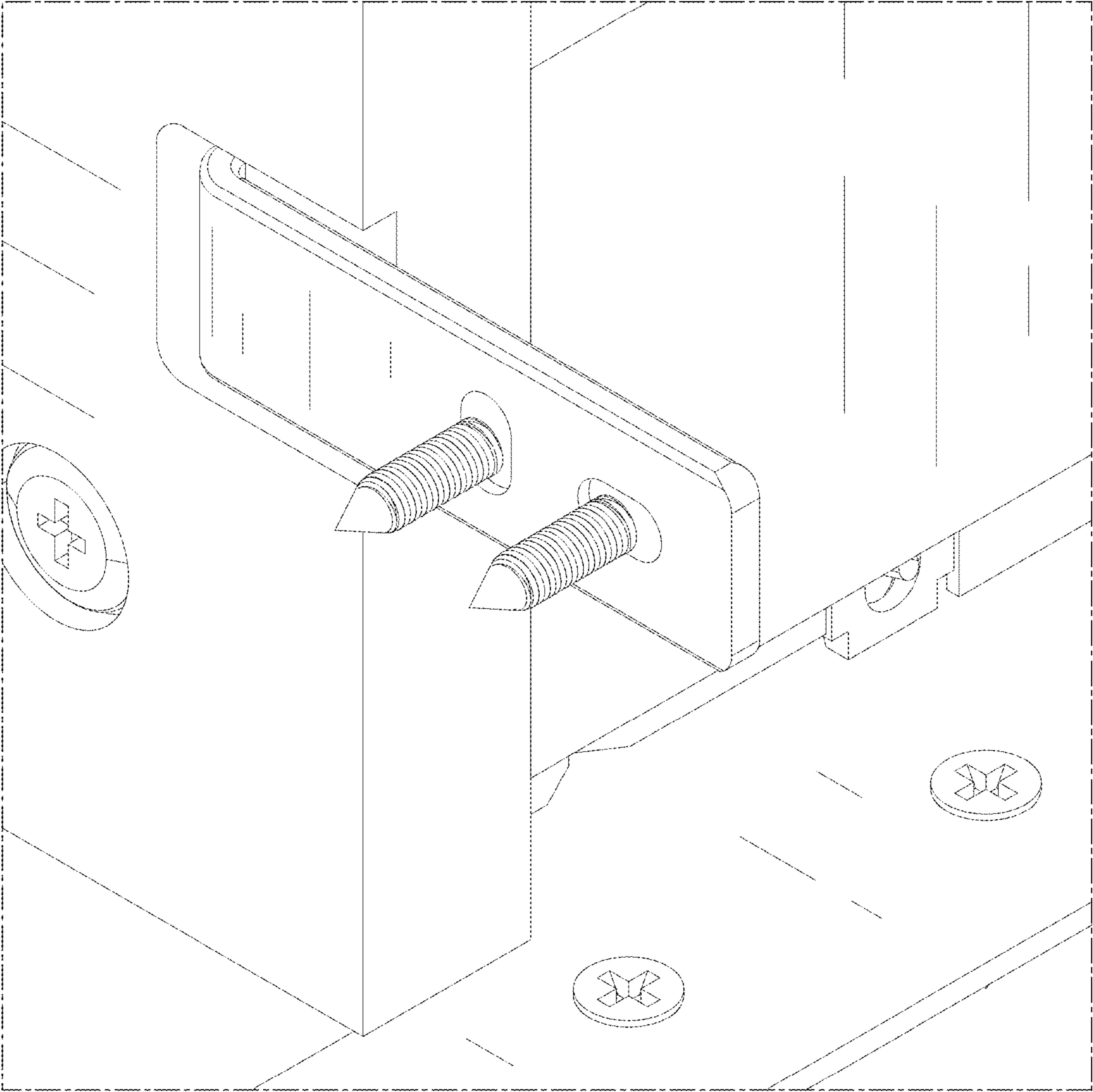


FIG. 12

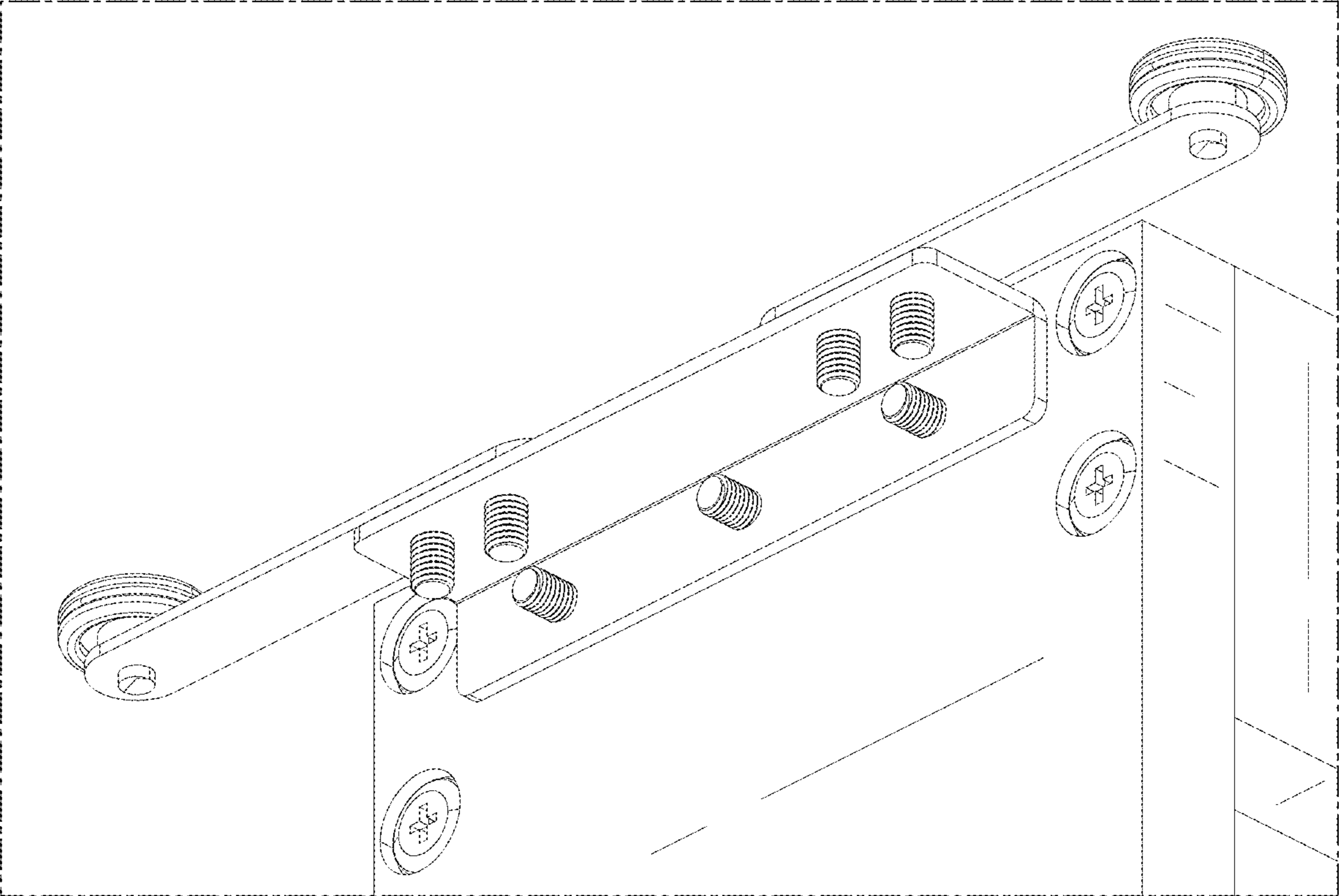


FIG. 13

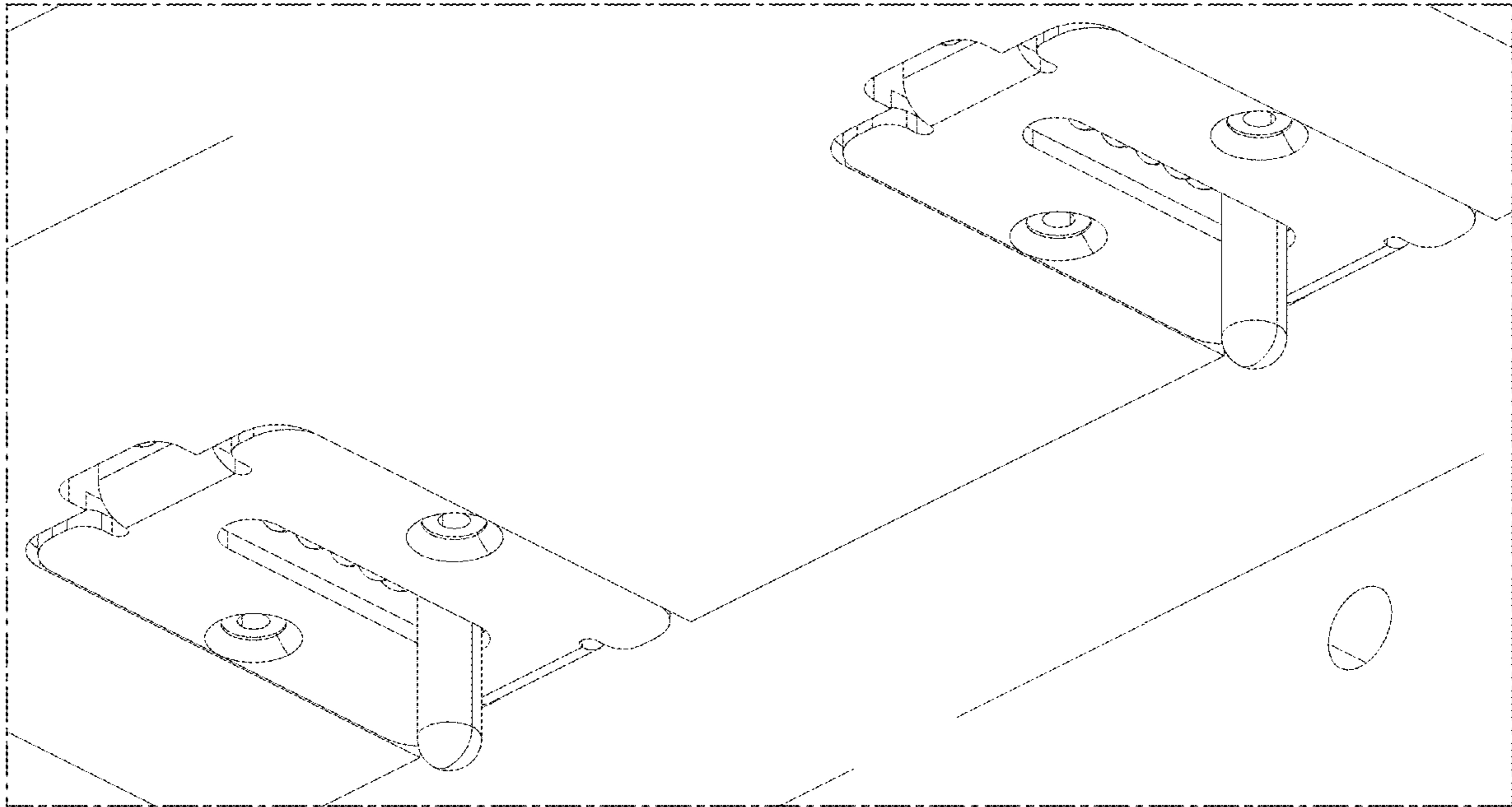


FIG. 14

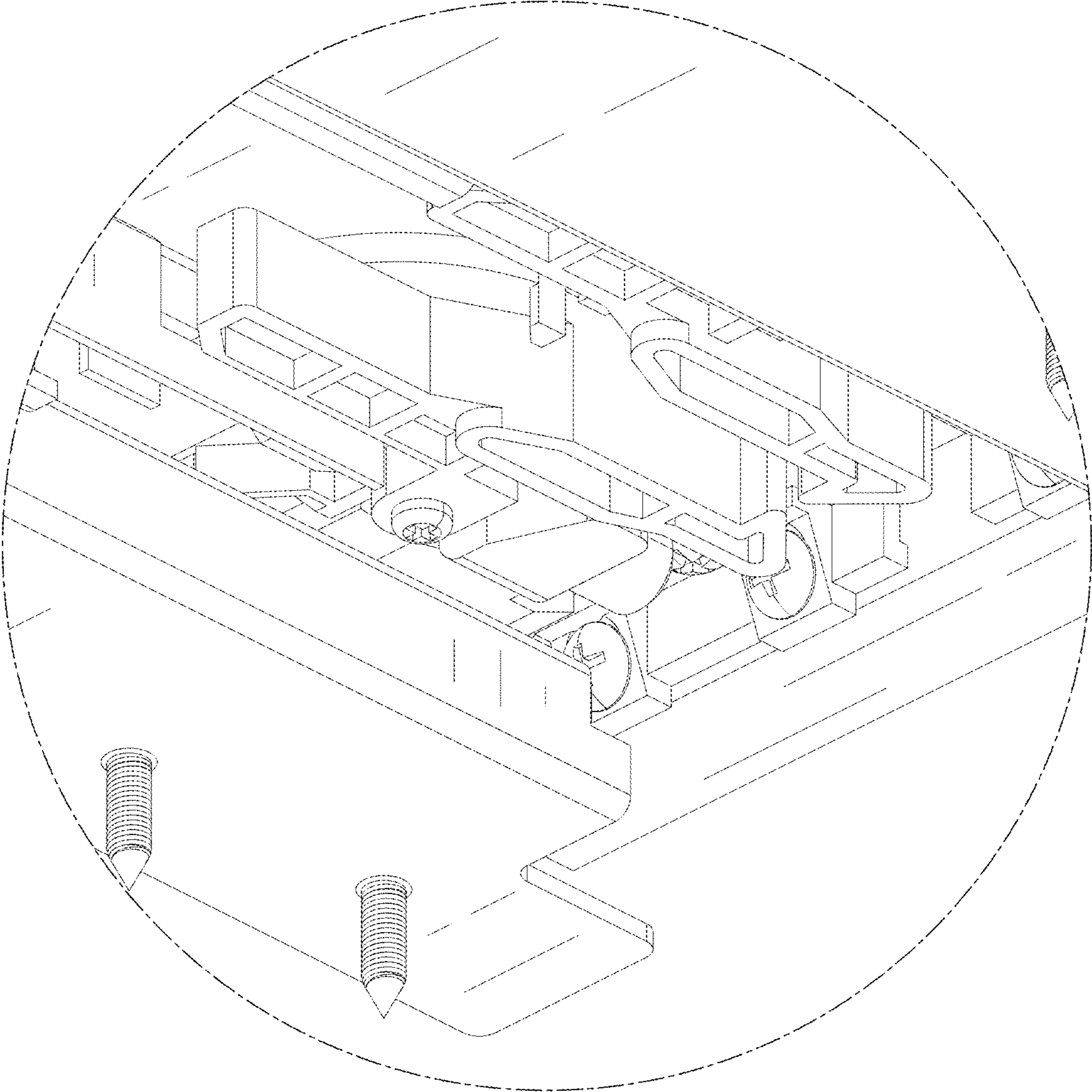


FIG. 15