



US00D980020S

(12) **United States Design Patent**
Lam

(10) **Patent No.:** **US D980,020 S**

(45) **Date of Patent:** **** Mar. 7, 2023**

(54) **CUPCAKE STAND**

(71) Applicant: **Yuenbiu Lam**, Hongkong (CN)

(72) Inventor: **Yuenbiu Lam**, Hongkong (CN)

(73) Assignee: **Yuenbiu Lam**, Hongkong (CN)

(**) Term: **15 Years**

(21) Appl. No.: **29/851,620**

(22) Filed: **Aug. 30, 2022**

(51) **LOC (14) Cl.** **07-09**

(52) **U.S. Cl.**

USPC **D7/600.4**

(58) **Field of Classification Search**

USPC D7/590, 600.1, 600.4, 387, 401.1, 213,
D7/701, 704; D6/672, 675, 675.1, 675.2;
D25/62, 63, 68, 69; D19/65, 75, 81, 86,
D19/91

CPC A47J 47/16; A47B 47/00; A47B 47/0091;
A47B 73/002; A47B 81/00; A47B
81/007; A47F 7/00; A47F 5/10; A47F
5/13

See application file for complete search history.

(56) **References Cited**

U.S. PATENT DOCUMENTS

D135,025 S *	2/1943	Hoffman	D6/675.3
D181,560 S *	11/1957	Varnado	D25/63
D207,564 S *	5/1967	Hartford	D7/600.1
D518,316 S *	4/2006	Gusdorf	D6/675.3
D555,936 S *	11/2007	King	D6/675.3
D560,974 S *	2/2008	Goode et al.		
D802,370 S *	11/2017	Tsai	D7/600.4

D873,588 S *	1/2020	Xiaojun	D6/675.3
D911,782 S *	3/2021	Li	D7/600.4
D942,809 S *	2/2022	Chen	D7/600.4
D957,198 S *	7/2022	Ye	D7/600.1
D970,974 S *	11/2022	Zucco	D7/600.2
2012/0111815 A1*	5/2012	Berry	A47J 47/16 211/74

OTHER PUBLICATIONS

Lifewit 4 Tier Clear Stand | posted at Amazon.com, no posting date, © 1996-2022 Amazon.com, [online], [site visited Dec. 30, 2022]. Available from Internet, <URL: <https://www.amazon.com/dp/B0BG46KCCH/>> (Year: 2022).*

* cited by examiner

Primary Examiner — Andrew Kerr

(74) *Attorney, Agent, or Firm* — Nitin Kaushik

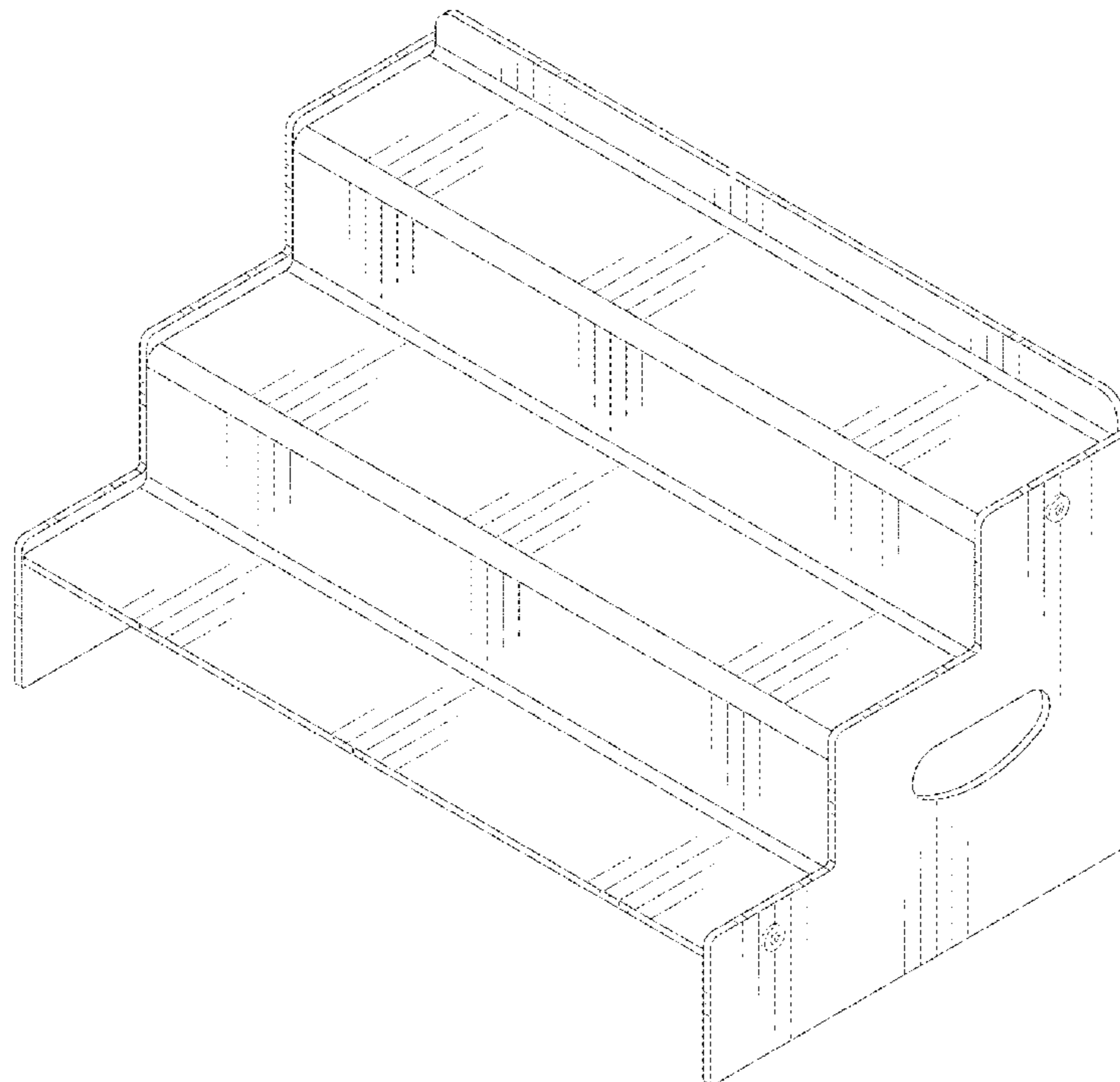
(57) **CLAIM**

The ornamental design for a cupcake stand, as shown and described.

DESCRIPTION

FIG. 1 is a front perspective view of a cupcake stand, showing my new design;
FIG. 2 is a rear perspective view thereof;
FIG. 3 is a front view thereof;
FIG. 4 is a rear view thereof;
FIG. 5 is a left side view thereof;
FIG. 6 is a right side view thereof;
FIG. 7 is a top view thereof; and,
FIG. 8 is a bottom view thereof.
The broken lines in the drawings illustrate the portions of the cupcake stand, which form no part of the claimed design.

1 Claim, 8 Drawing Sheets



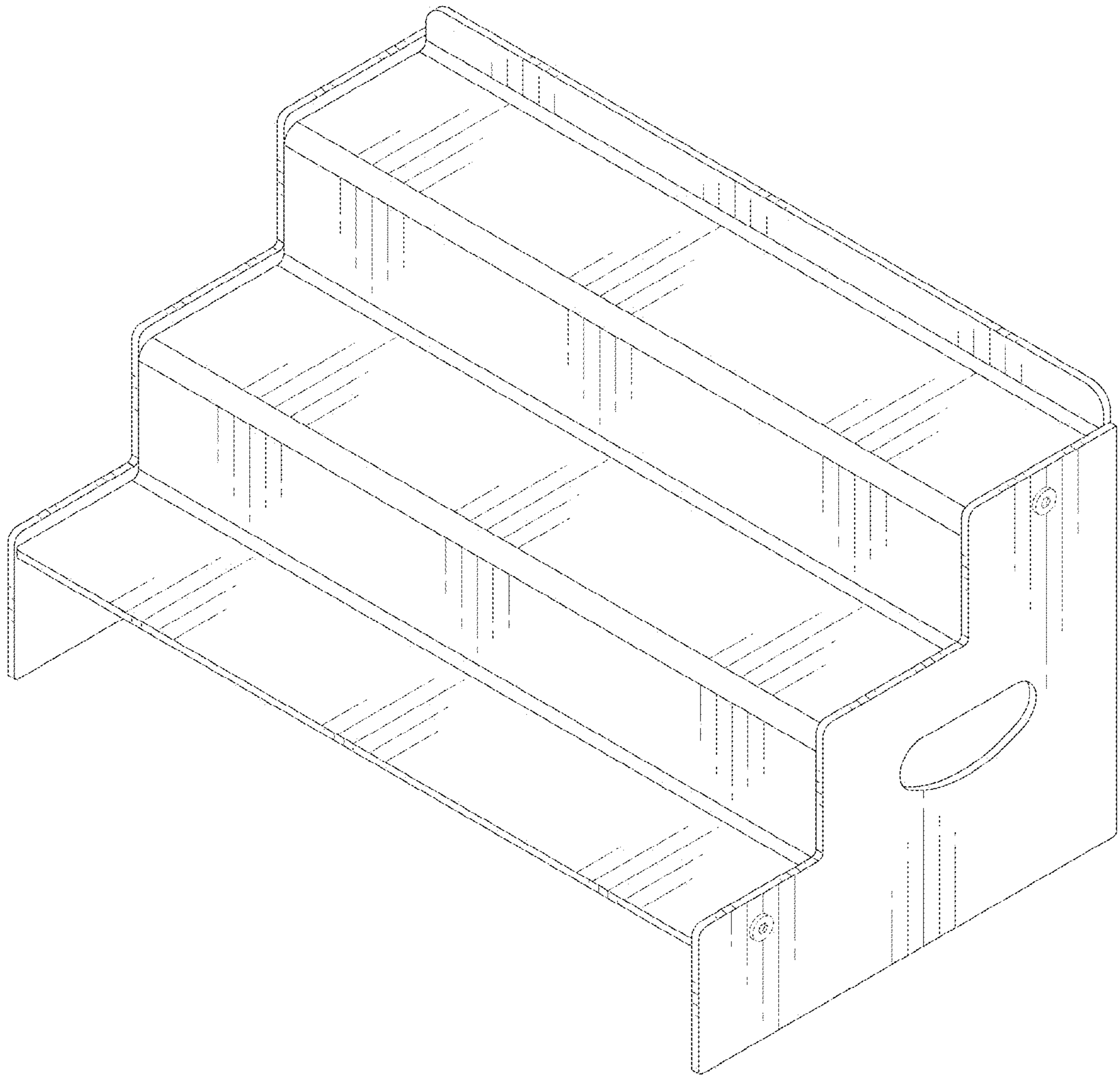


FIG. 1

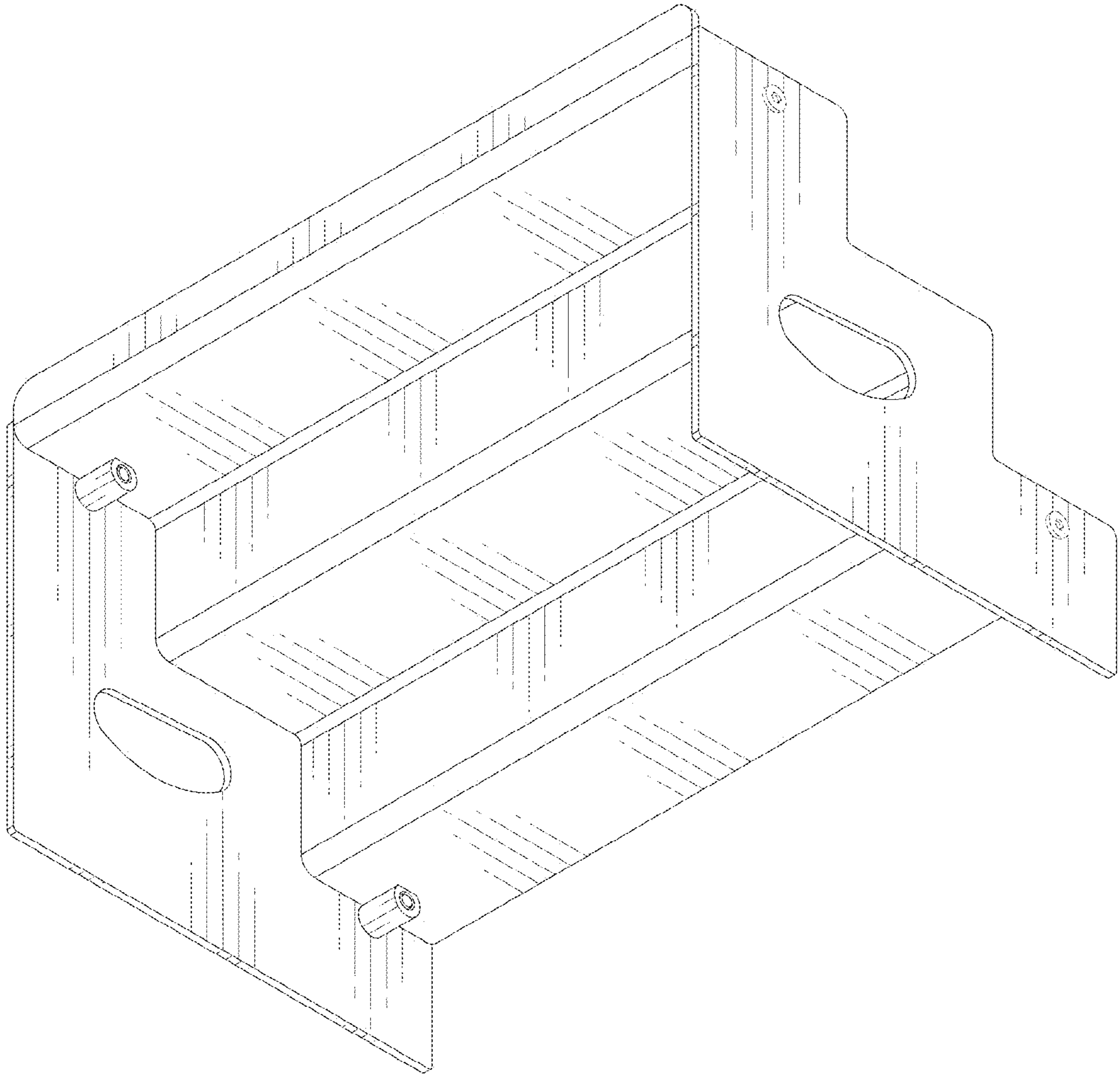


FIG. 2

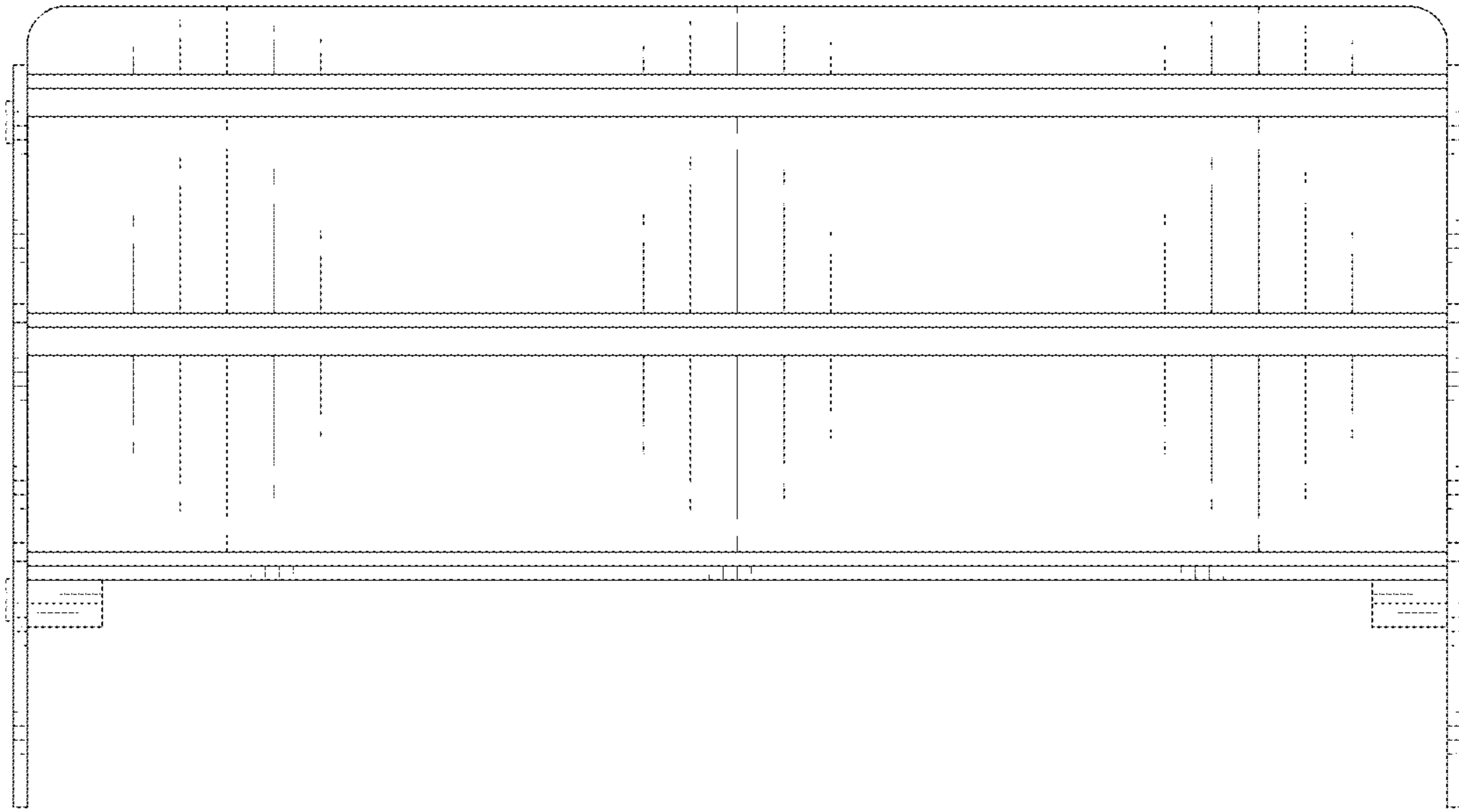


FIG. 3

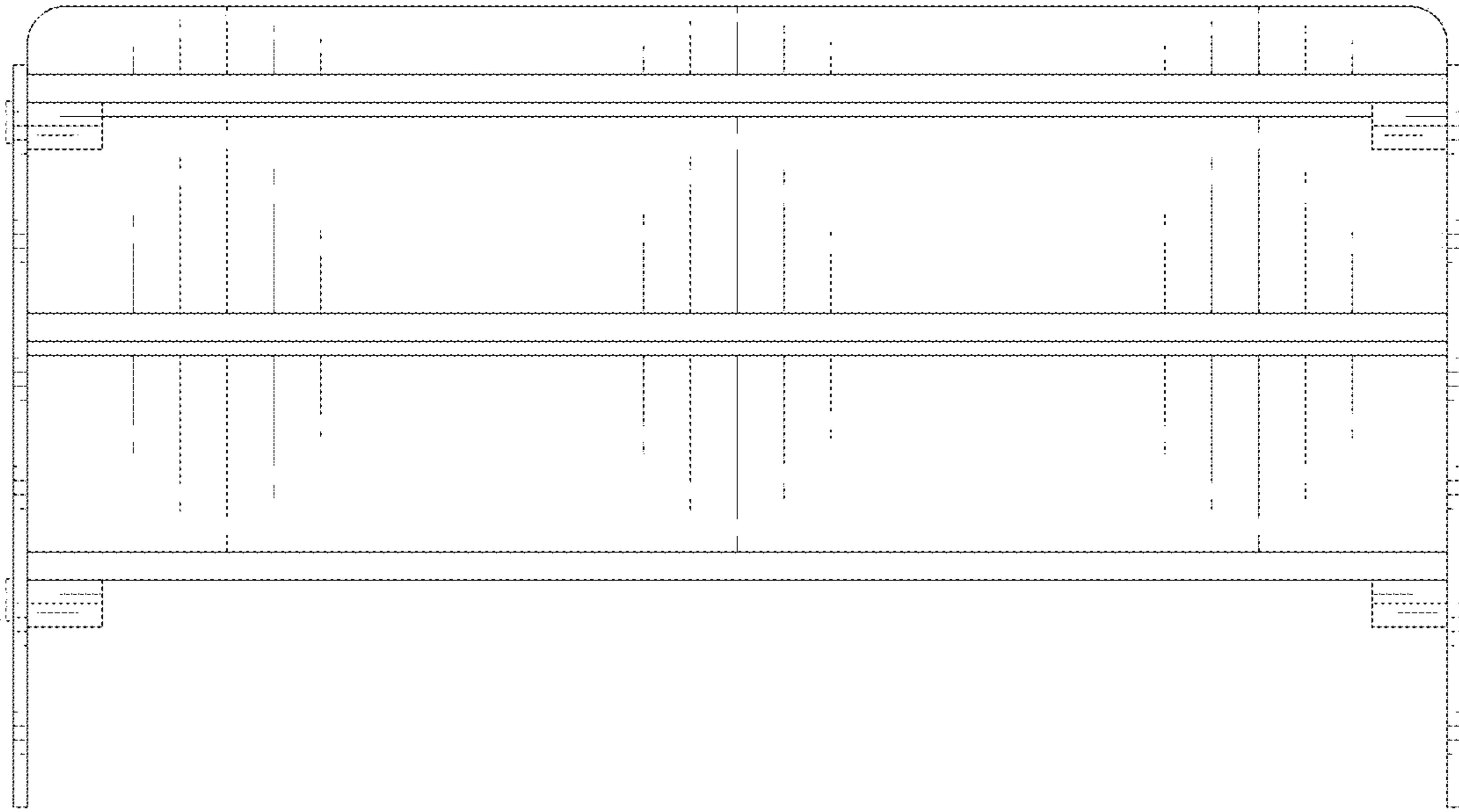


FIG. 4

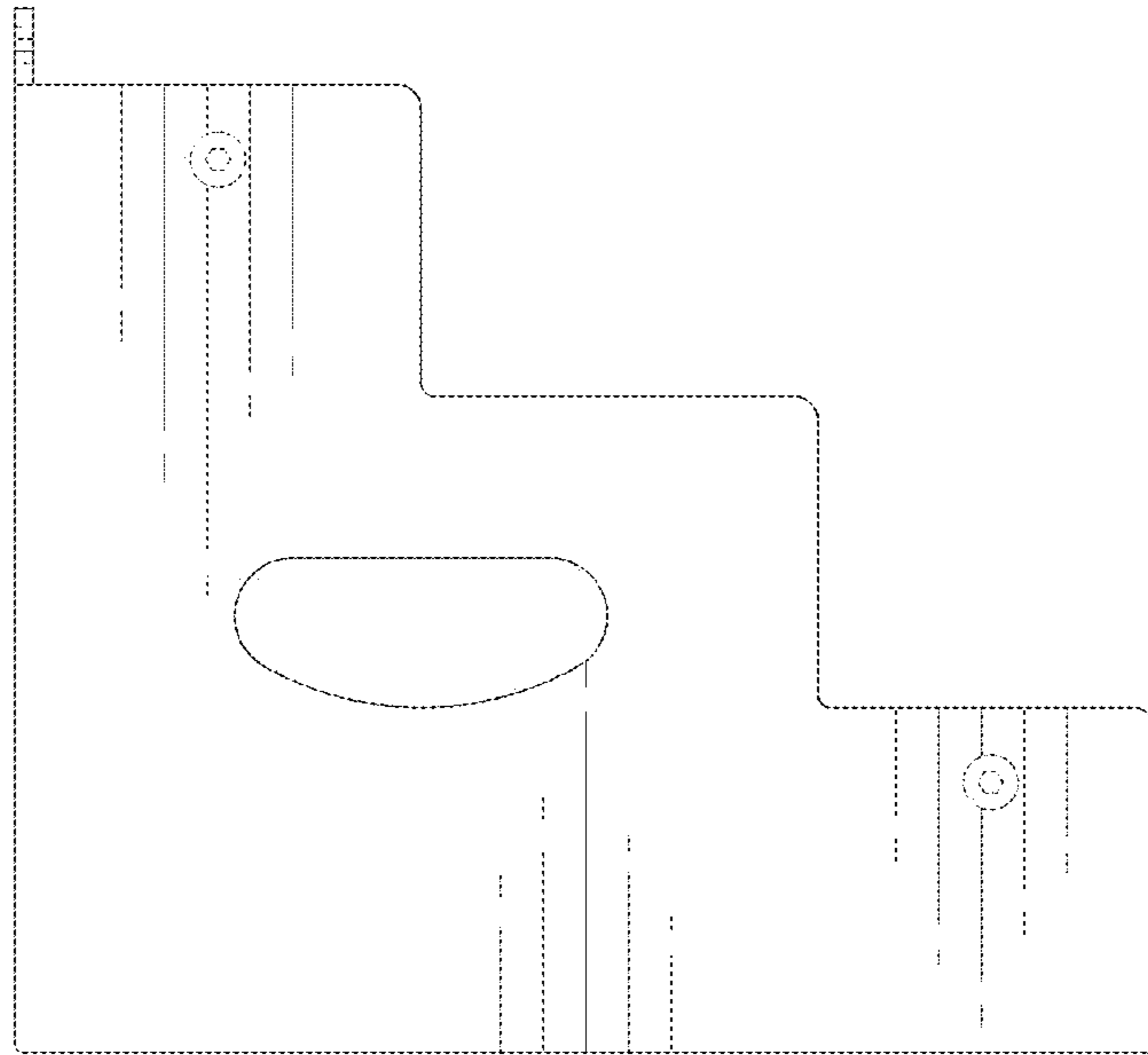


FIG. 5

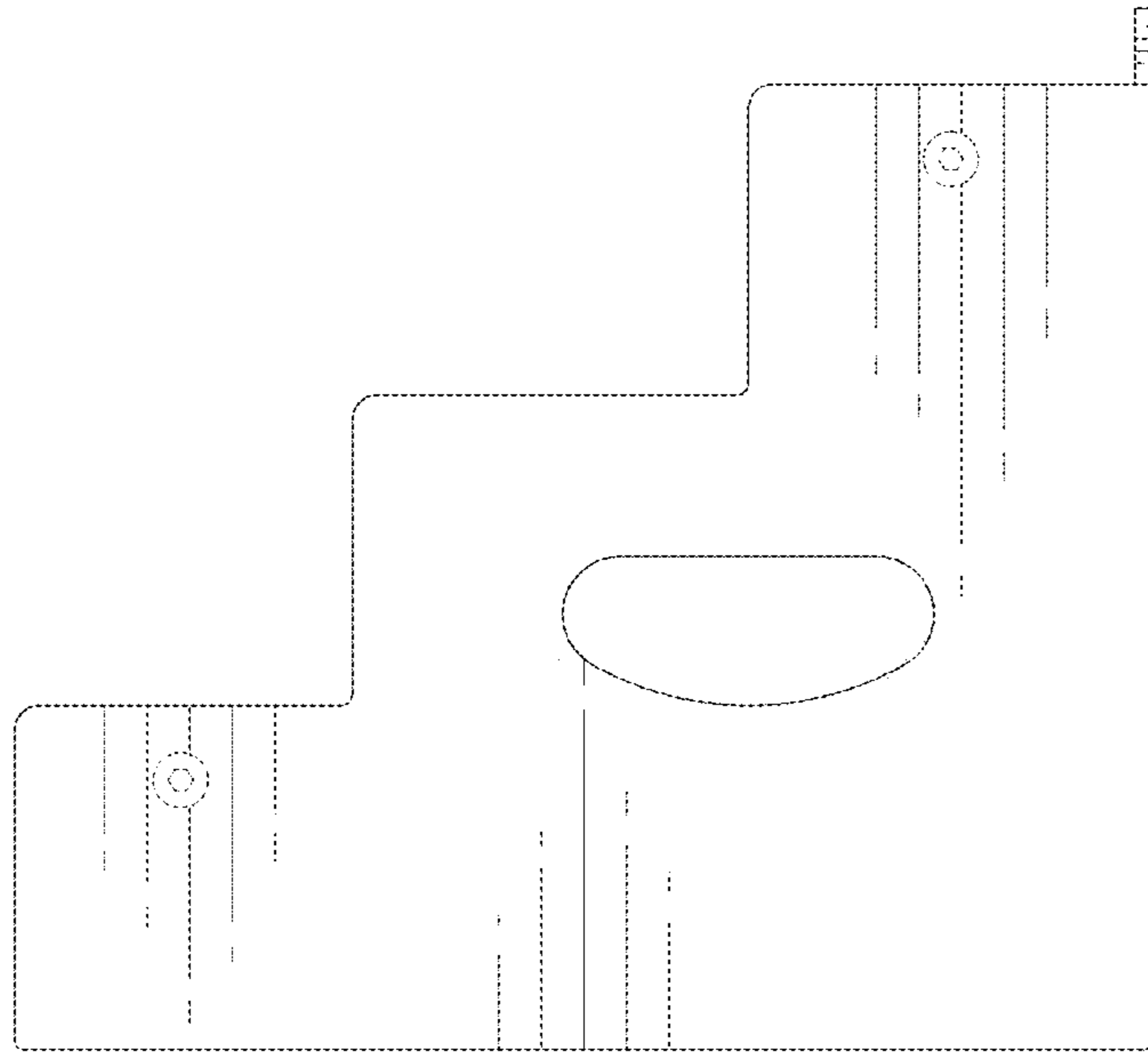


FIG. 6

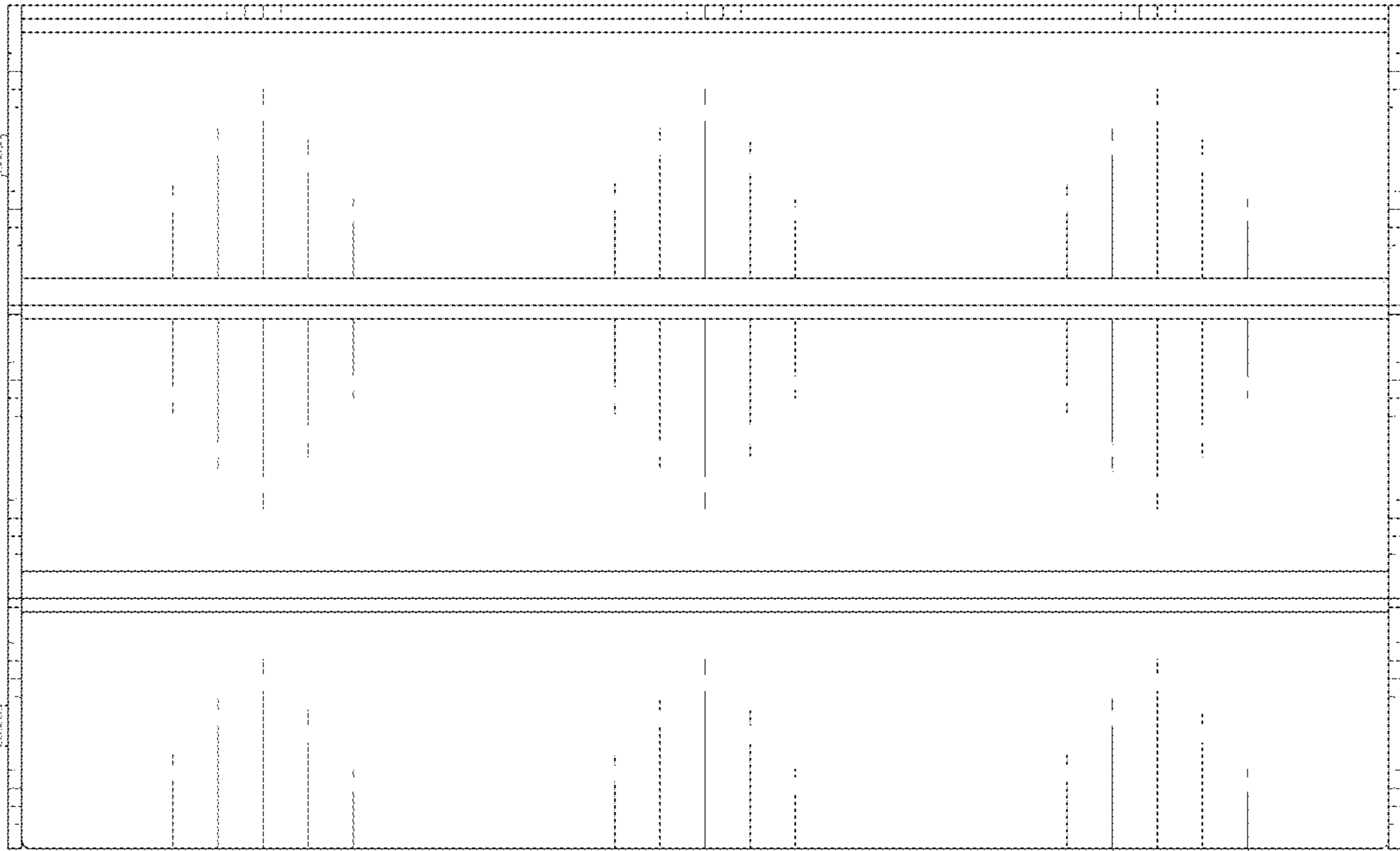


FIG. 7

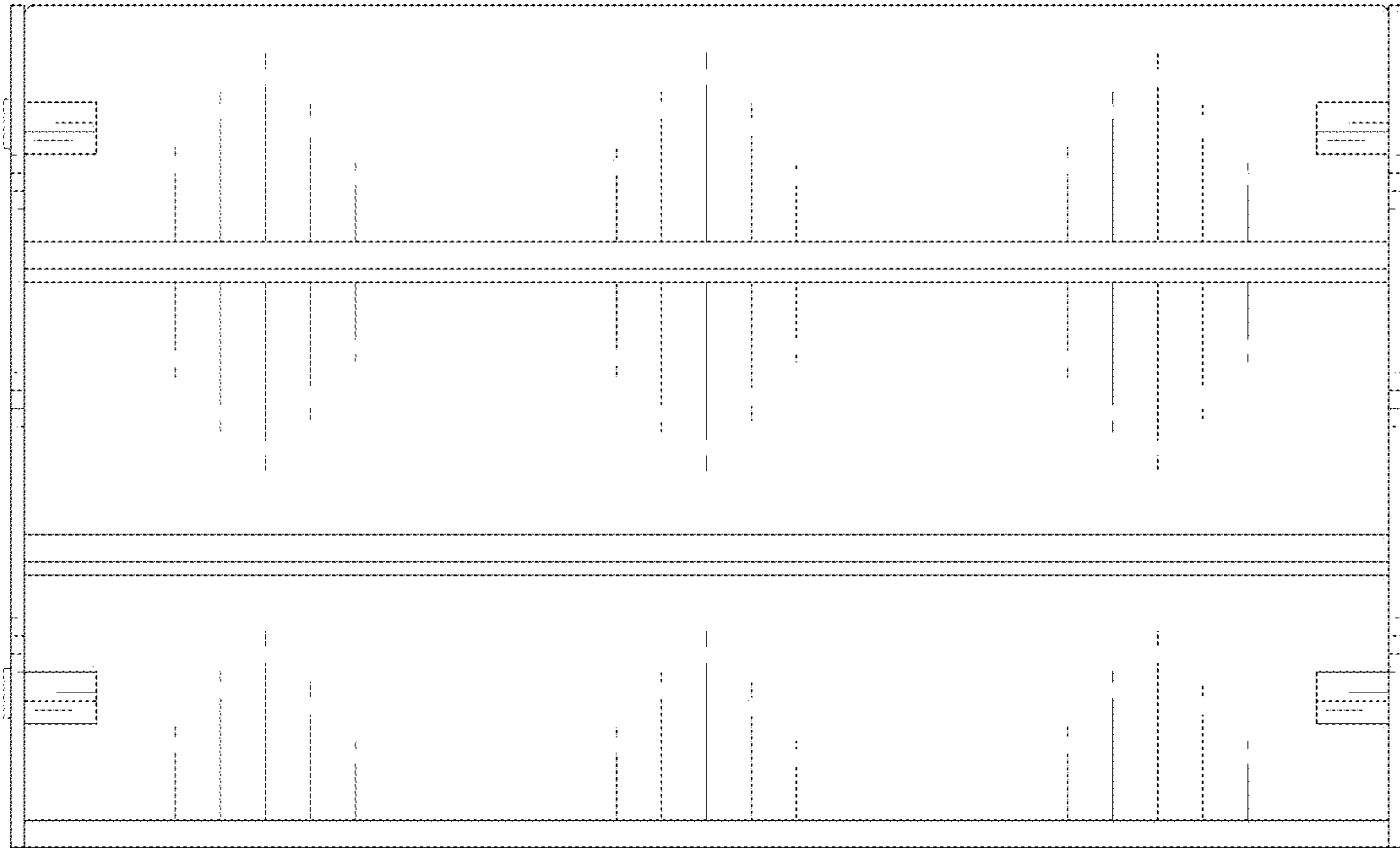


FIG. 8