

US00D980019S

(12) **United States Design Patent**
Liang

(10) **Patent No.:** **US D980,019 S**

(45) **Date of Patent:** **** Mar. 7, 2023**

(54) **SPICE RACK**

(71) Applicant: **Guangzhou Dihe Technology Co., LTD.**, Guangzhou (CN)

(72) Inventor: **Meiling Liang**, Guangdong (CN)

(73) Assignee: **Guangzhou Dihe Technology Co., LTD.**, Guangzhou (CN)

(**) Term: **15 Years**

(21) Appl. No.: **29/835,297**

(22) Filed: **Apr. 18, 2022**

(51) **LOC (14) Cl.** **07-09**

(52) **U.S. Cl.**
USPC **D7/600.1**

(58) **Field of Classification Search**
USPC D7/590, 600.1, 600.2, 600.3, 600.4, 387,
D7/401.1, 213; D6/512, 524, 525, 552,
D6/553, 556, 558, 566, 567, 569, 570,
D6/574; D9/737, 741, 756, 759, 760,
D9/761

CPC A47J 47/16; A47B 47/00; A47B 47/0091;
A47B 81/00; A47B 81/007; A47F 7/00;
A47F 5/10; A47F 5/13

See application file for complete search history.

(56) **References Cited**

U.S. PATENT DOCUMENTS

D291,755 S *	9/1987	Chap	D6/570
D472,750 S *	4/2003	Clucas	D6/525
D584,056 S *	1/2009	Ghiorghie	D6/513
D769,074 S *	10/2016	Tsai	D7/600.4
D772,015 S *	11/2016	Tsai	D7/704
D773,207 S *	12/2016	Tsai	D6/566
D873,081 S *	1/2020	Goodman	D7/600.1
D876,169 S *	2/2020	Klein	D7/600.4
D890,548 S *	7/2020	Cai	D6/574
D898,487 S *	10/2020	Wilson	D6/675.2

D904,127 S *	12/2020	Song	D7/600.1
10,959,517 B2 *	3/2021	Elliott	F16B 2/185
D923,421 S *	6/2021	Cui	
D923,422 S *	6/2021	Xu	D7/600.4
D924,635 S *	7/2021	Tsai	D7/600.4
D925,946 S *	7/2021	Chen	D6/574
D925,990 S *	7/2021	Yan	
D945,791 S *	3/2022	Peng	D6/574
D955,136 S *	6/2022	Qiu	D6/566
D964,774 S *	9/2022	Huang	D6/525
D964,862 S *	9/2022	Evans	D9/761
2004/0188369 A1 *	9/2004	Yu	A47K 5/04 211/106

OTHER PUBLICATIONS

Taozun Magnetic Shelf | posted at Amazon.com, posted on Dec. 20, 2021, © 1996-2022 Amazon.com, [online], [site visited Sep. 29, 2022]. Available from Internet, <URL: <https://www.amazon.com/dp/B09NVSPVH>> (Year: 2021).*

* cited by examiner

Primary Examiner — Andrew Kerr
(74) *Attorney, Agent, or Firm* — ScienBiziP, P.C.

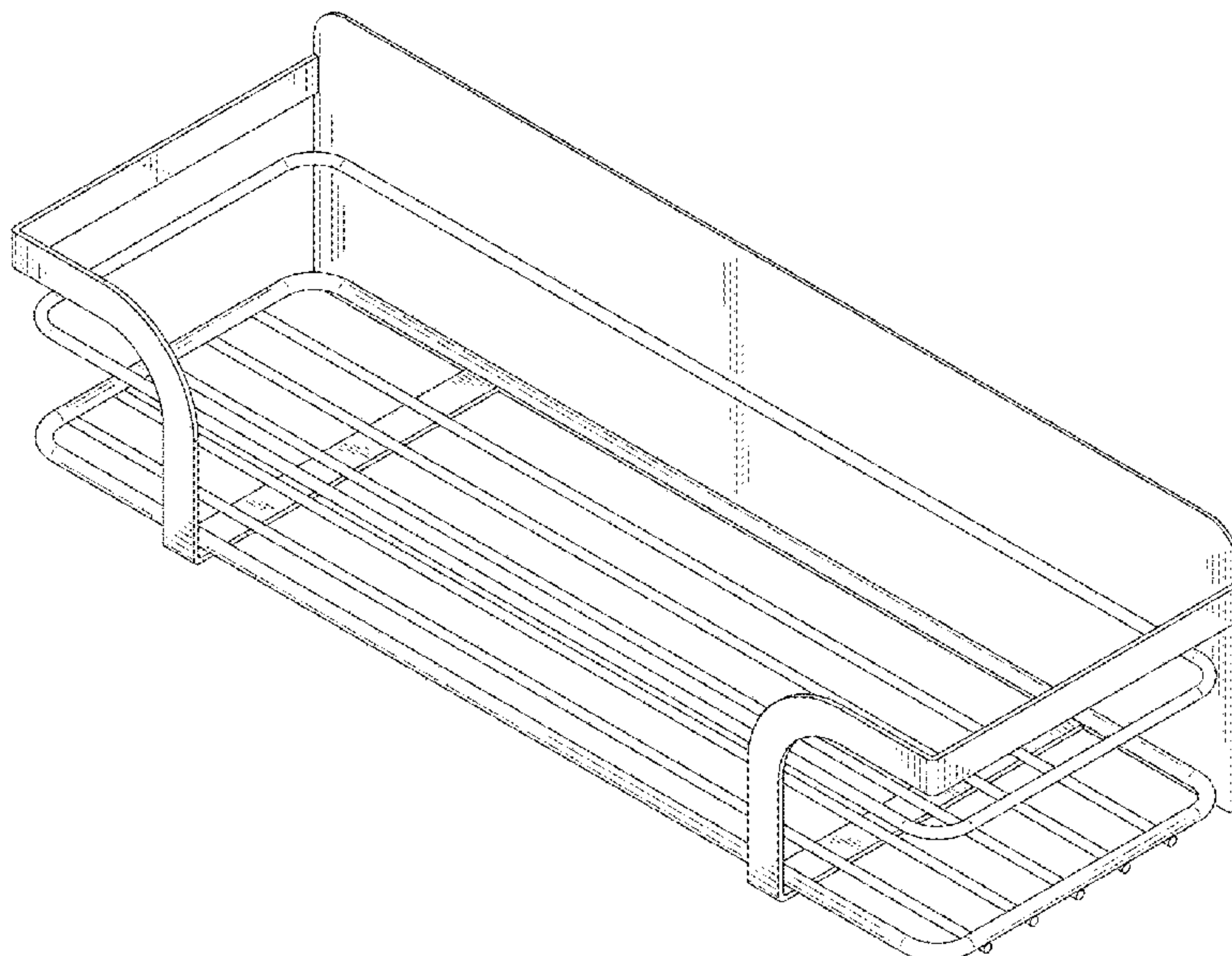
(57) **CLAIM**

The ornamental design for a spice rack, as shown and described.

DESCRIPTION

FIG. 1 is a front, right and top perspective view of a spice rack, showing my design.
FIG. 2 is a rear, left and bottom perspective view thereof.
FIG. 3 is a front elevation view thereof.
FIG. 4 is a rear elevation view thereof.
FIG. 5 is a left side elevation view thereof.
FIG. 6 is a right side elevation view thereof.
FIG. 7 is a top plan view thereof; and,
FIG. 8 is a bottom plan view thereof.

1 Claim, 8 Drawing Sheets



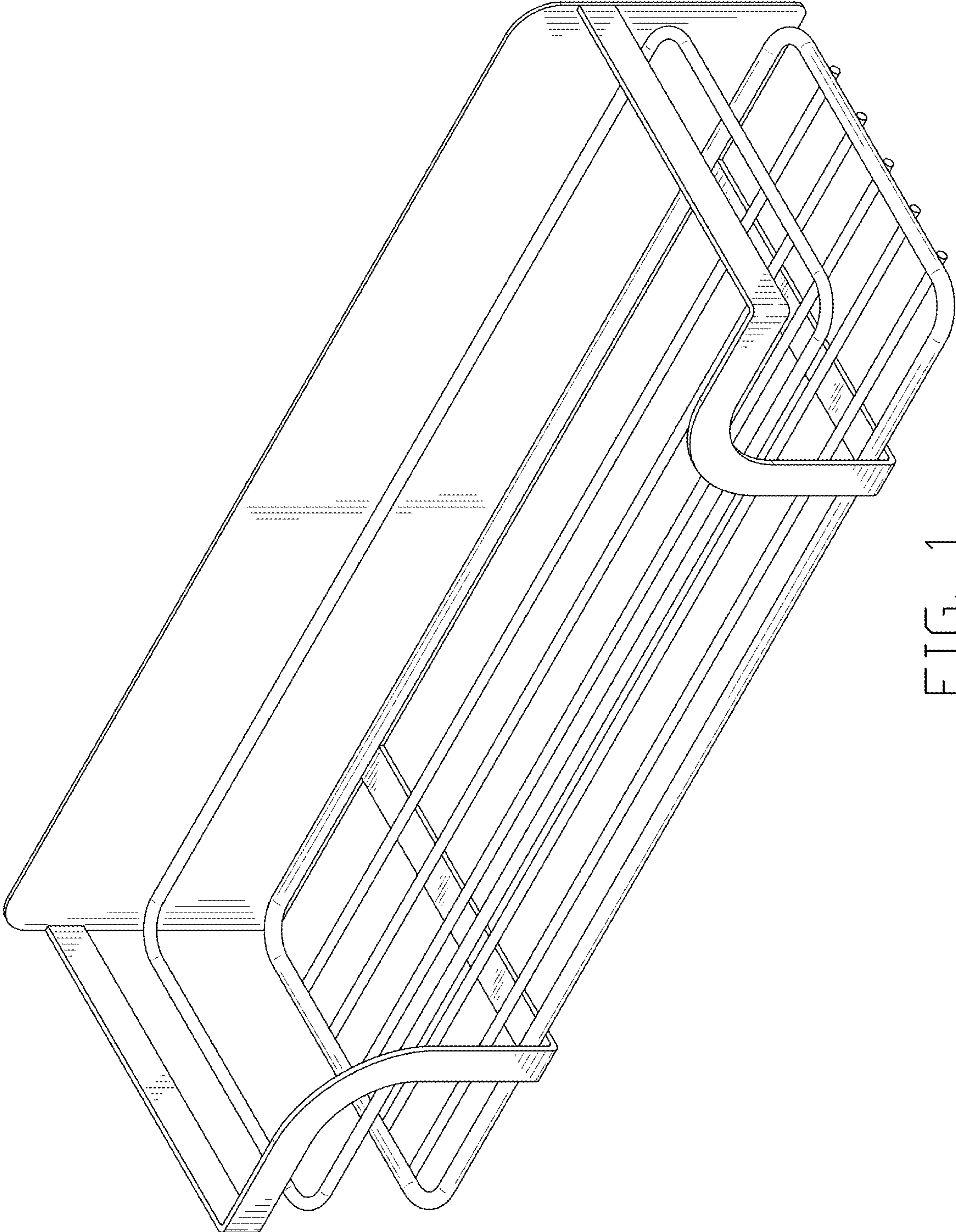


FIG. 1

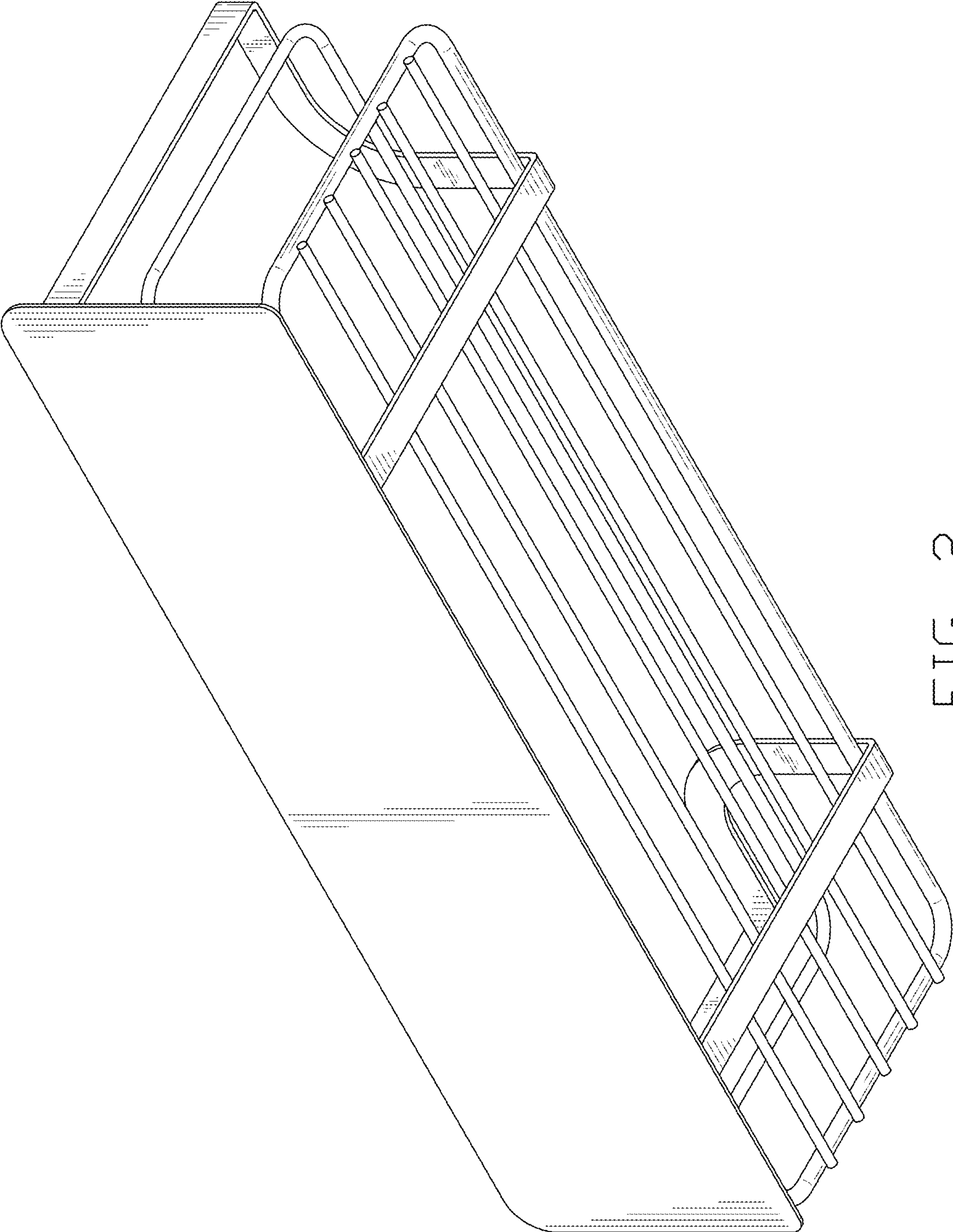


FIG. 2

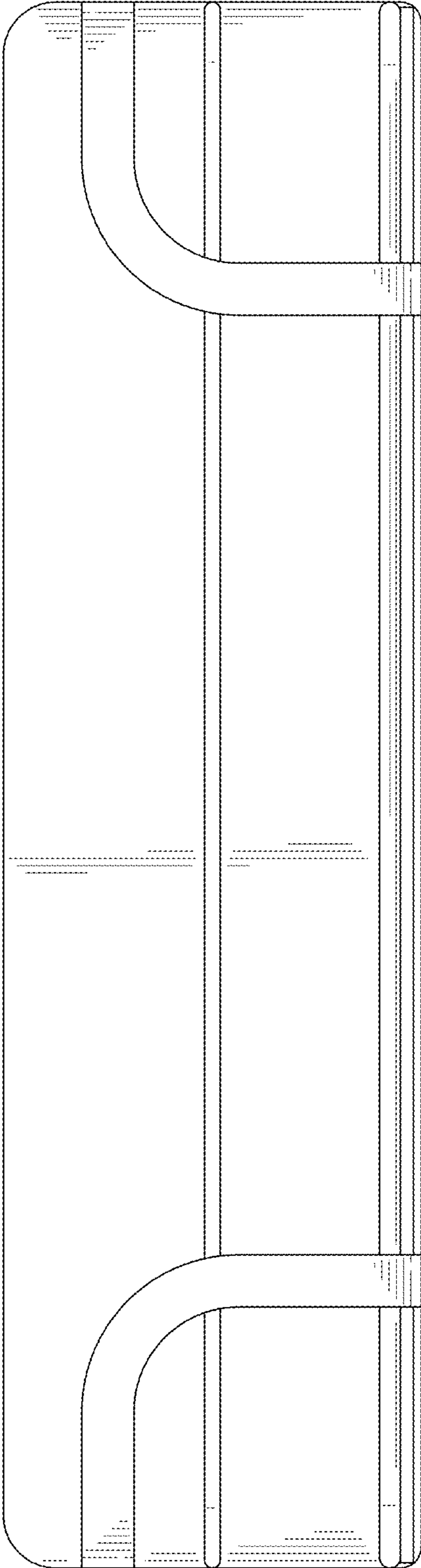


FIG. 3

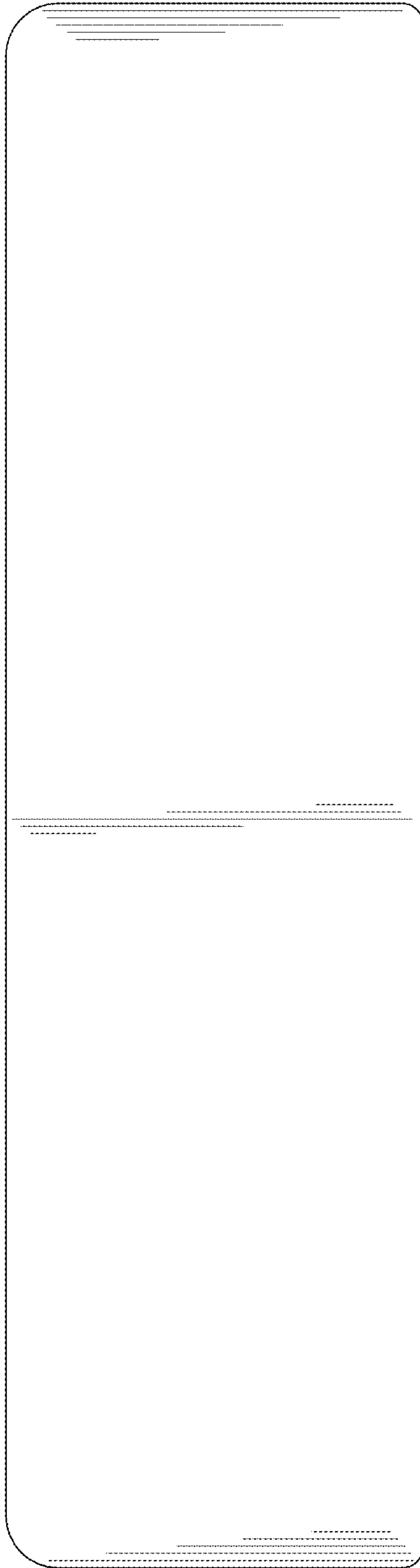


FIG. 4

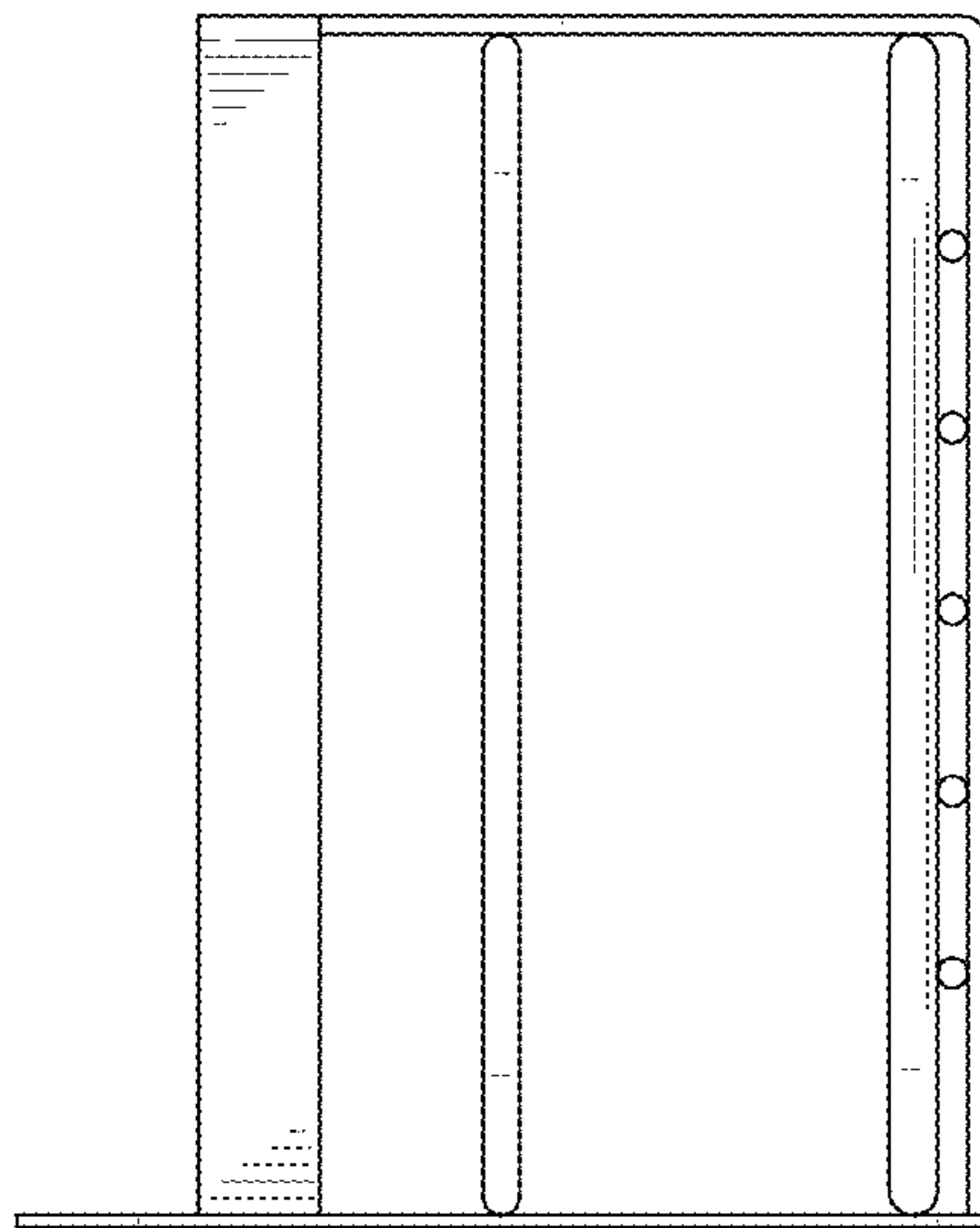


FIG. 5

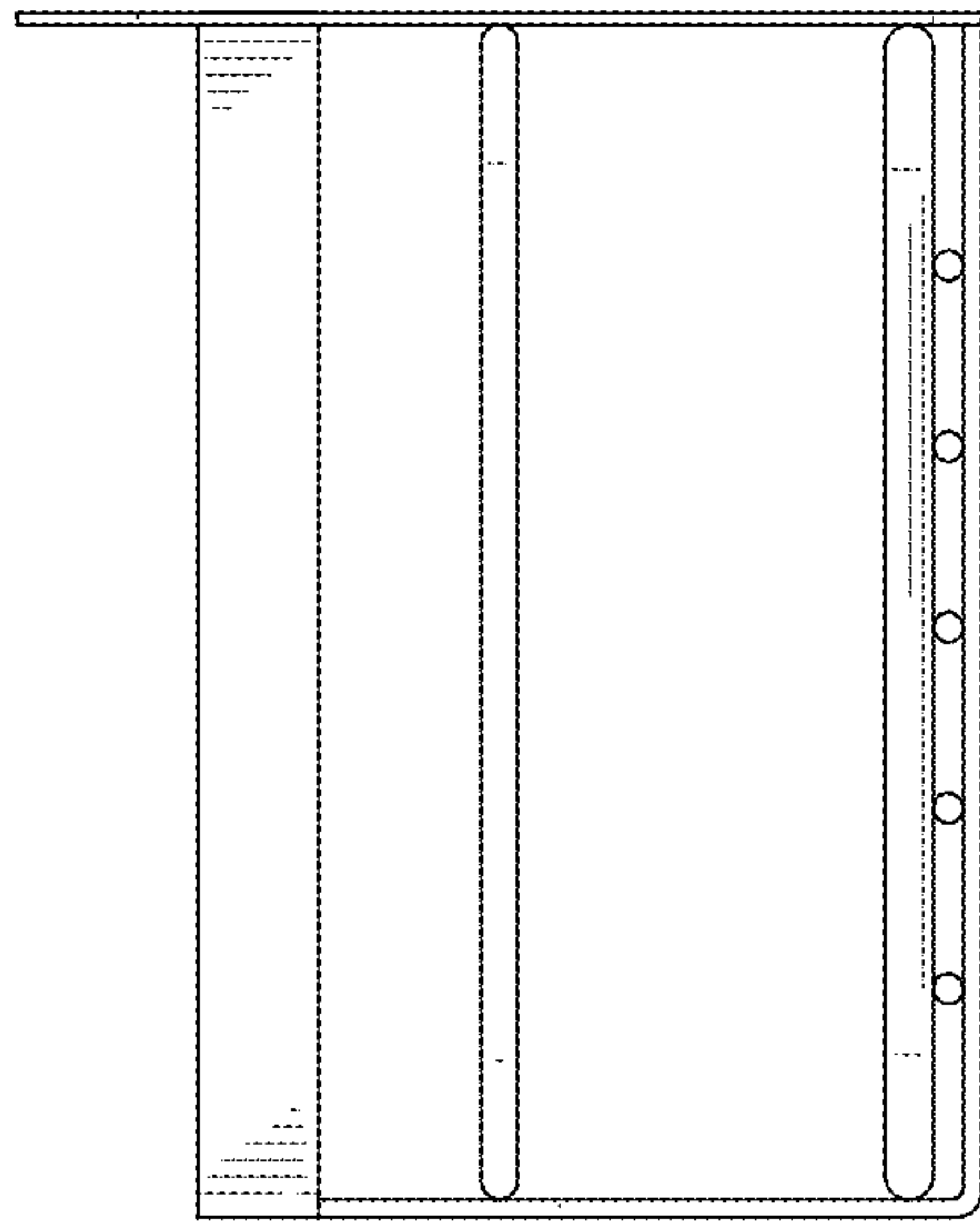


FIG. 6

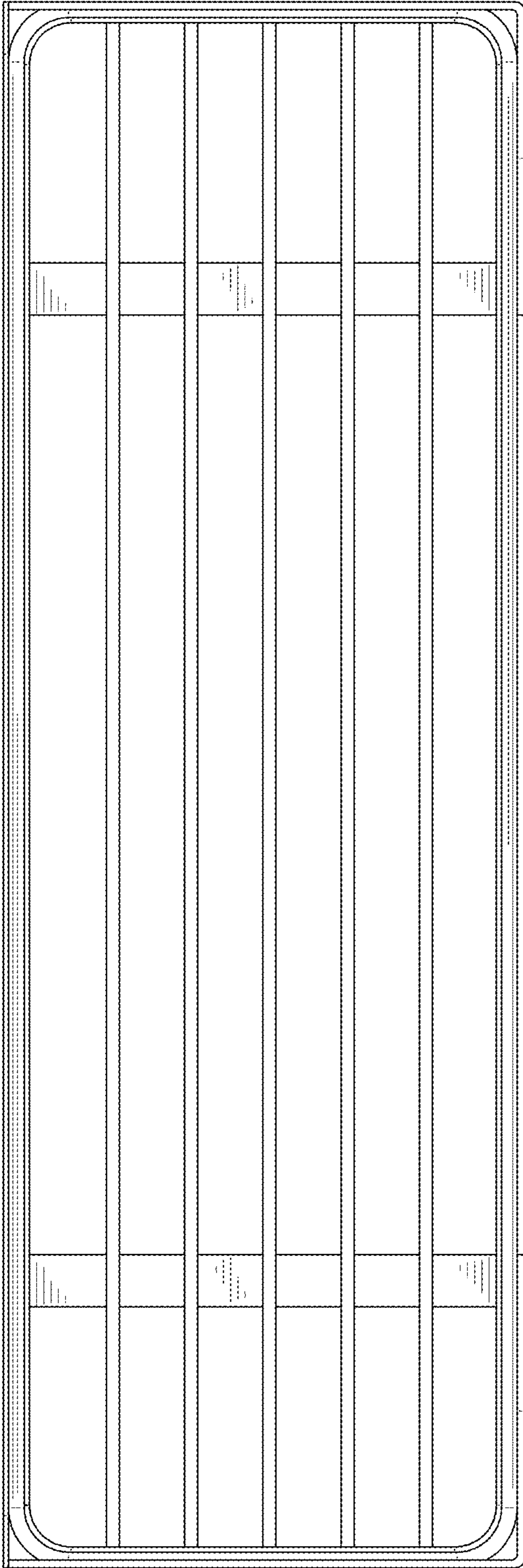


FIG. 7

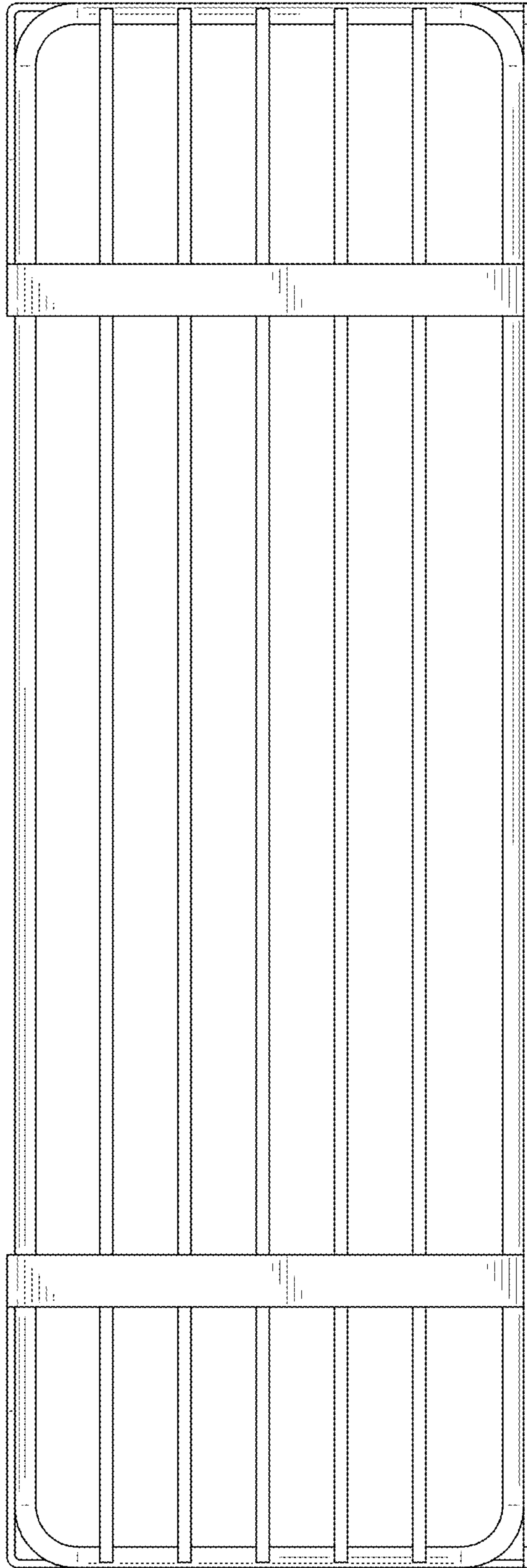


FIG. 8