



US00D980018S

(12) **United States Design Patent**
Huang

(10) **Patent No.:** **US D980,018 S**
(45) **Date of Patent:** **** Mar. 7, 2023**

(54) **DISPENSER**

(71) Applicant: **Linjun Huang**, Cixi (CN)

(72) Inventor: **Linjun Huang**, Cixi (CN)

(**) Term: **15 Years**

(21) Appl. No.: **29/842,995**

(22) Filed: **Jun. 17, 2022**

(51) **LOC (14) Cl.** **07-07**

(52) **U.S. Cl.**
USPC **D7/589**; D6/515; D6/520

(58) **Field of Classification Search**
USPC D7/306, 322, 399, 401.1, 412, 589-590,
D7/600.1-600.4; D6/512-524, 542-550;
D19/67-69, 86-92, 134
CPC .. A47F 1/00; A47F 1/08; A47K 10/42; A47K
10/421; B65D 83/00
See application file for complete search history.

(56) **References Cited**

U.S. PATENT DOCUMENTS

D130,621 S *	12/1941	Walters	D19/86
D139,326 S *	10/1944	Gordon	D28/73
2,876,780 A *	3/1959	Vogel	A47F 5/005
				211/50
D195,140 S *	4/1963	Johannes	D6/520
D208,102 S *	7/1967	Brandon	D6/518
D219,168 S *	11/1970	Chase et al.	D6/520
D225,267 S *	11/1972	Roisman	D6/520
D256,480 S *	8/1980	Wright	D19/75
D273,068 S *	3/1984	Spamer	D6/515
D278,005 S *	3/1985	Wolff	D6/518
D295,232 S *	4/1988	Castel	D3/24
4,762,042 A *	8/1988	Denter	B65H 35/0086
				83/485
D317,382 S *	6/1991	Polvere	D6/515
D330,121 S *	10/1992	Wear	D6/675.1
D342,174 S *	12/1993	Lo	D6/519
D414,967 S *	10/1999	Richter	D12/416

(Continued)

FOREIGN PATENT DOCUMENTS

CN	307241410	*	4/2022
CN	307394533	*	6/2022
CN	307394534	*	6/2022

OTHER PUBLICATIONS

2 in 1 Wrap Dispenser with Cutter and Labels, Xomoo, amazon.com, published by Xomoo, first available on May 31, 2022 © 1996-2022 Amazon.com, Inc., online, site visited Sep. 14, 2022. Available at URL: <https://www.amazon.com/Xomoo-Dispenser-Aluminum-Organizer-Compatible/dp/B0B2RXQXRT> (Year: 2022).*

(Continued)

Primary Examiner — Holly E Thurman
Assistant Examiner — Altaira J Swangin
(74) *Attorney, Agent, or Firm* — Jeenam Park

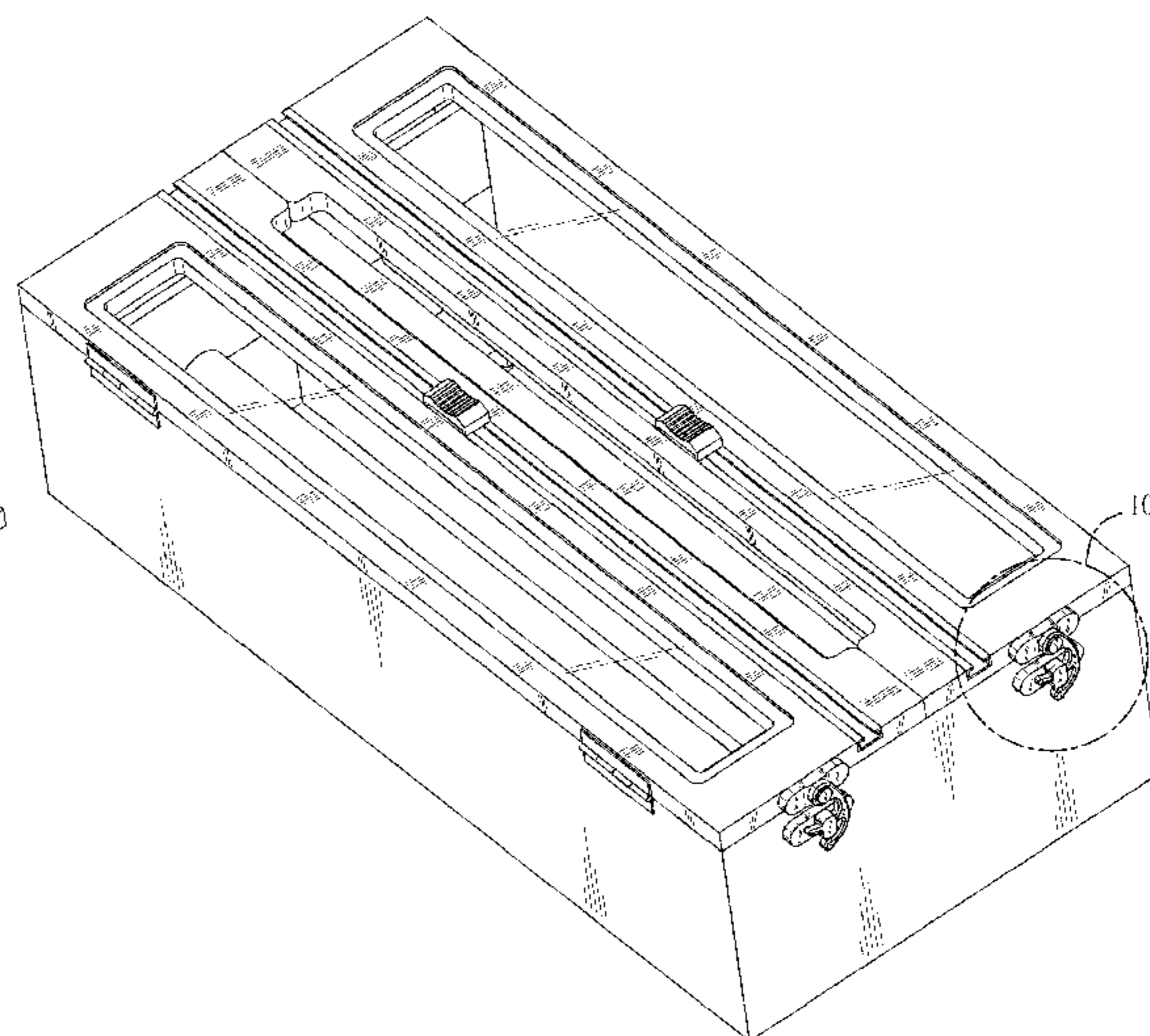
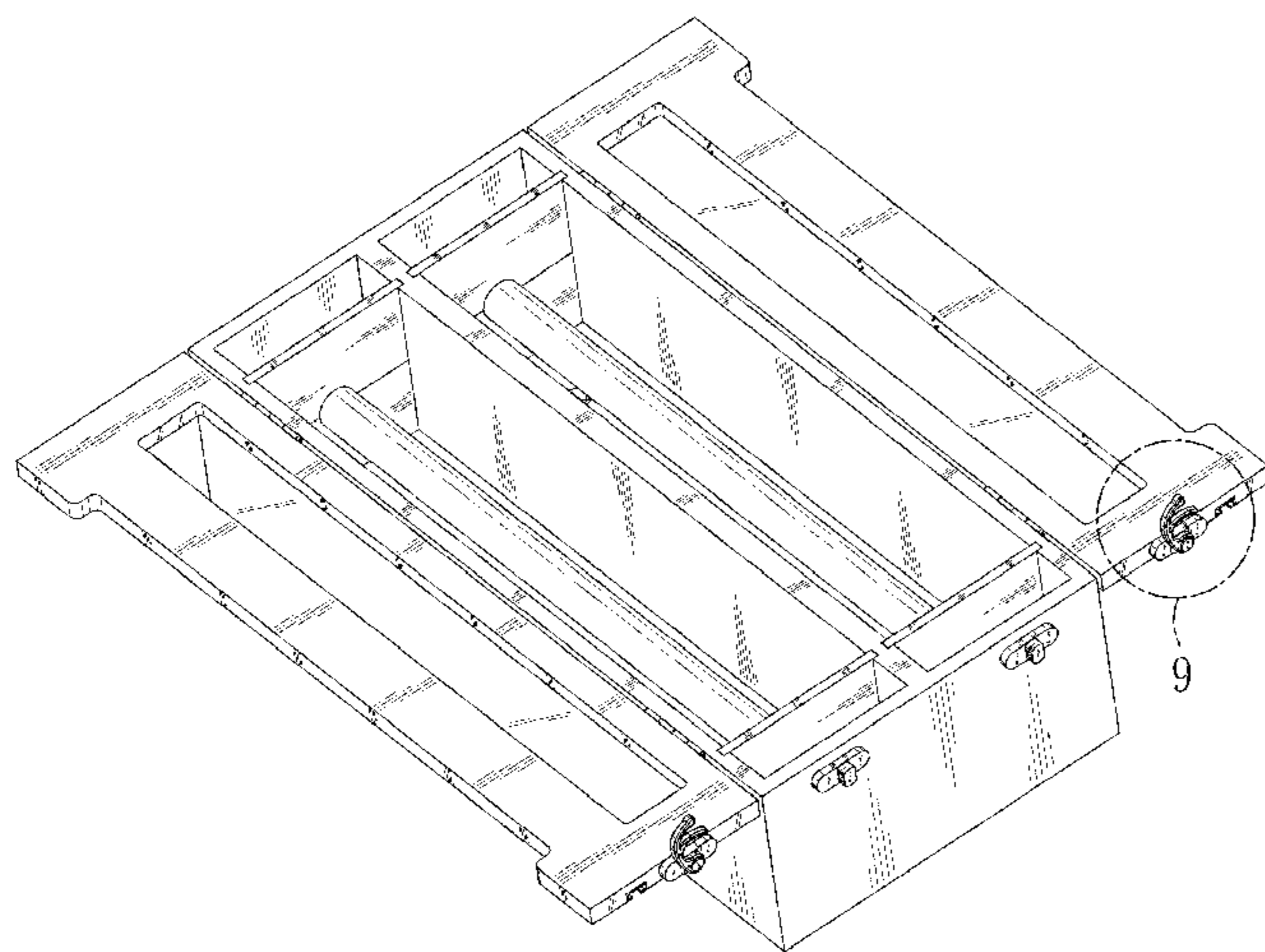
(57) **CLAIM**

The ornamental design for a dispenser, as shown and described.

DESCRIPTION

FIG. 1 is a perspective view of a dispenser, showing my new design;
FIG. 2 is a perspective view in a closed configuration thereof;
FIG. 3 is a front view thereof;
FIG. 4 is a rear view thereof;
FIG. 5 is a left side view thereof;
FIG. 6 is a right side view thereof;
FIG. 7 is a top plan view thereof;
FIG. 8 is a bottom plan thereof;
FIG. 9 is an enlarged view of portion of FIG. 1; and,
FIG. 10 is an enlarged view of portion of FIG. 2.
The dot-dash broken lines depict the boundaries of the enlargements that form no part of the claimed design.

1 Claim, 10 Drawing Sheets



(56)

References Cited

U.S. PATENT DOCUMENTS

D519,751 S	*	5/2006	Etter	D6/515
D556,483 S	*	12/2007	Voelker	D6/520
D631,682 S	*	2/2011	Western	D6/548
D671,345 S	*	11/2012	Rich	D6/518
D767,915 S	*	10/2016	Held	D6/512
D777,585 S		1/2017	Lyon	
D839,022 S	*	1/2019	Jones	D6/520
D884,485 S		5/2020	Zucker	
D893,915 S	*	8/2020	Thompson	D6/515
D966,005 S	*	10/2022	Ke	D6/515
D966,734 S	*	10/2022	Long	D6/520
D967,645 S	*	10/2022	Lin	D6/520
2015/0203313 A1	*	7/2015	Kaiser	B65H 35/002 242/562

OTHER PUBLICATIONS

Wrap Dispenser with Cutter and Labels, BONSSO, amazon.com, published by BONSSO, first available on Apr. 13, 2022 © 1996-2022 Amazon.com, Inc., online, site visited Sep. 14, 2022. Available at URL: <https://www.amazon.com/BONSSO-Dispenser-Organizer-Organizers-Compatible/dp/B09XTSLM9D> (Year: 2022).*

Cling Film Dispenser, Clearful, amazon.com, published by Clearful, first sale date of Jul. 11, 2022 © 1996-2022 Amazon.com, Inc., online, site visited Sep. 15, 2022. Available at URL: <https://www.amazon.com.tr/Dispenseri-Yiyeceler-Mutfak-Restoran-Clearful/dp/B0B68DZYFG/> (Year: 2022).*

* cited by examiner

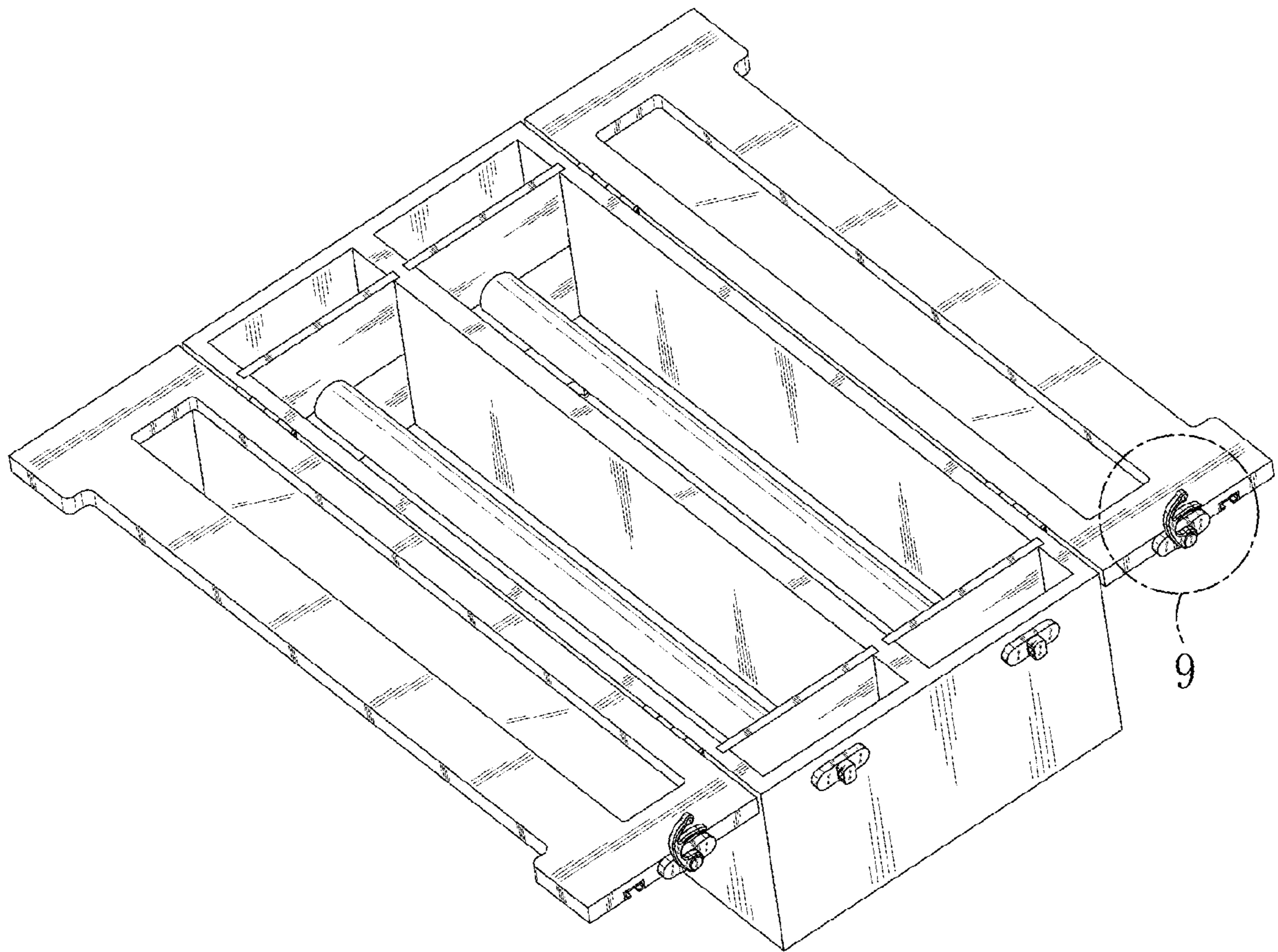


FIG. 1

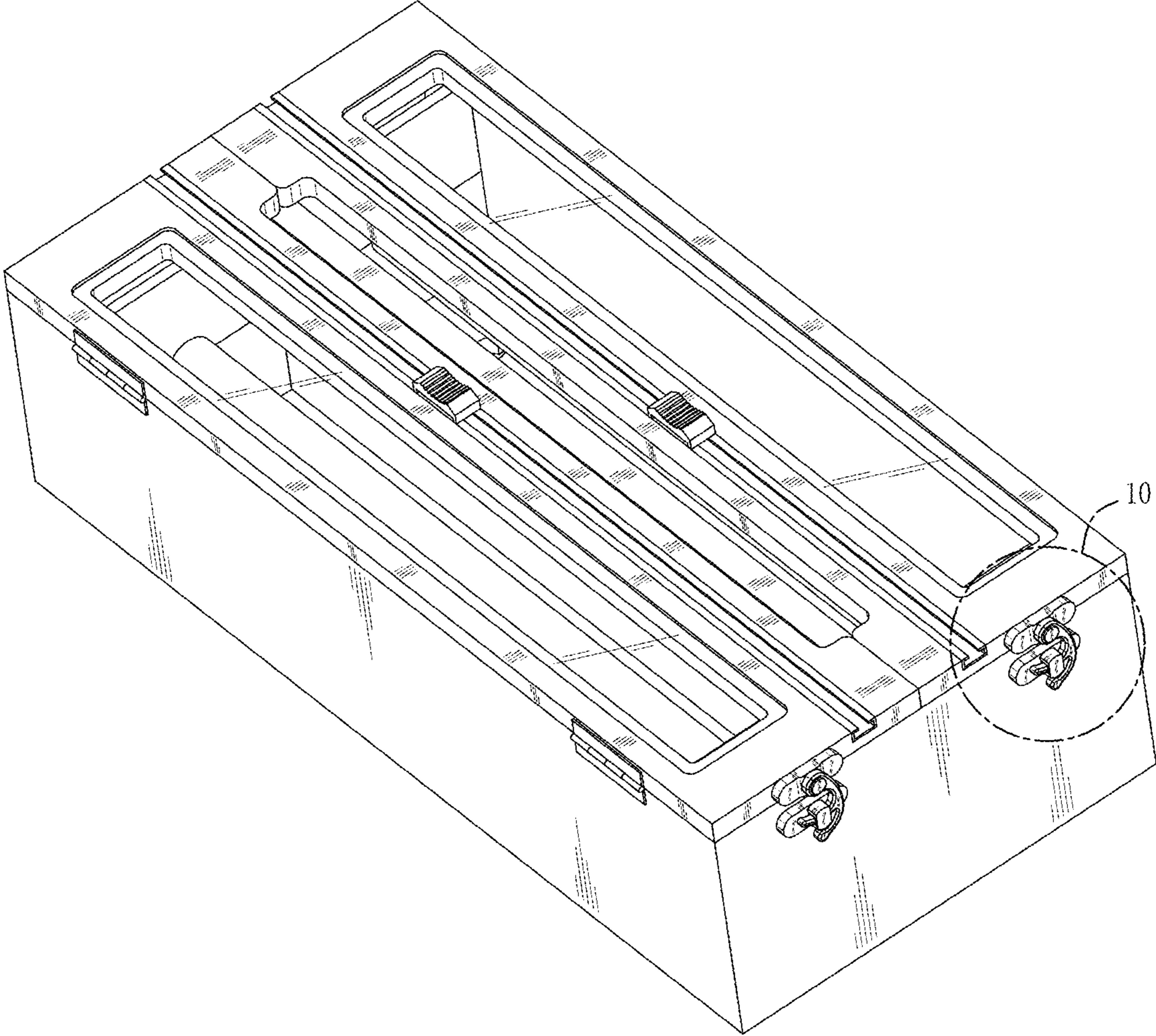


FIG. 2

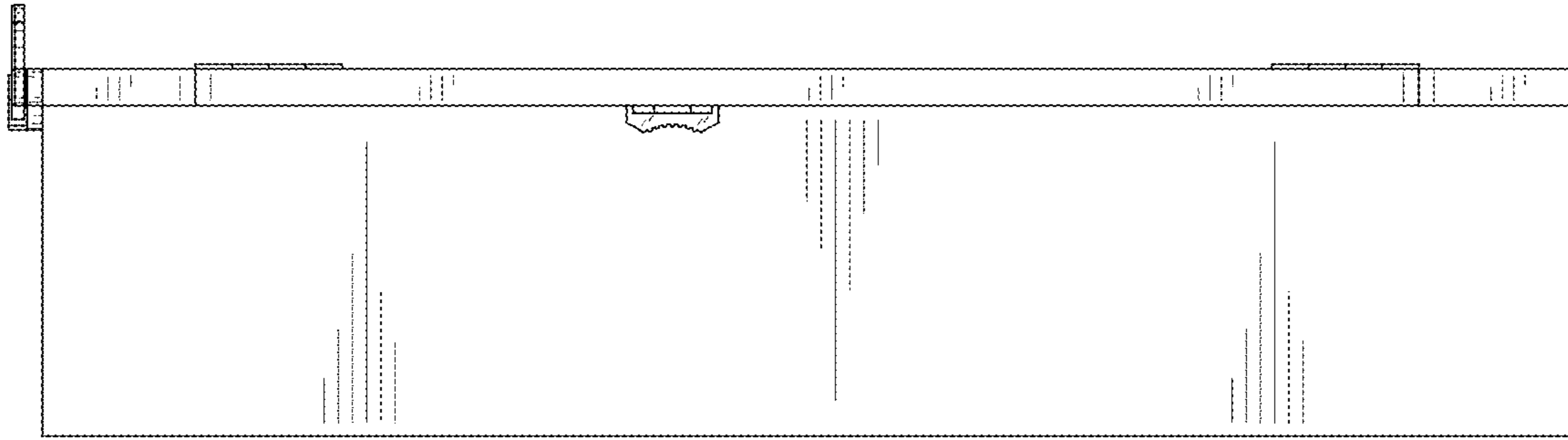


FIG. 3

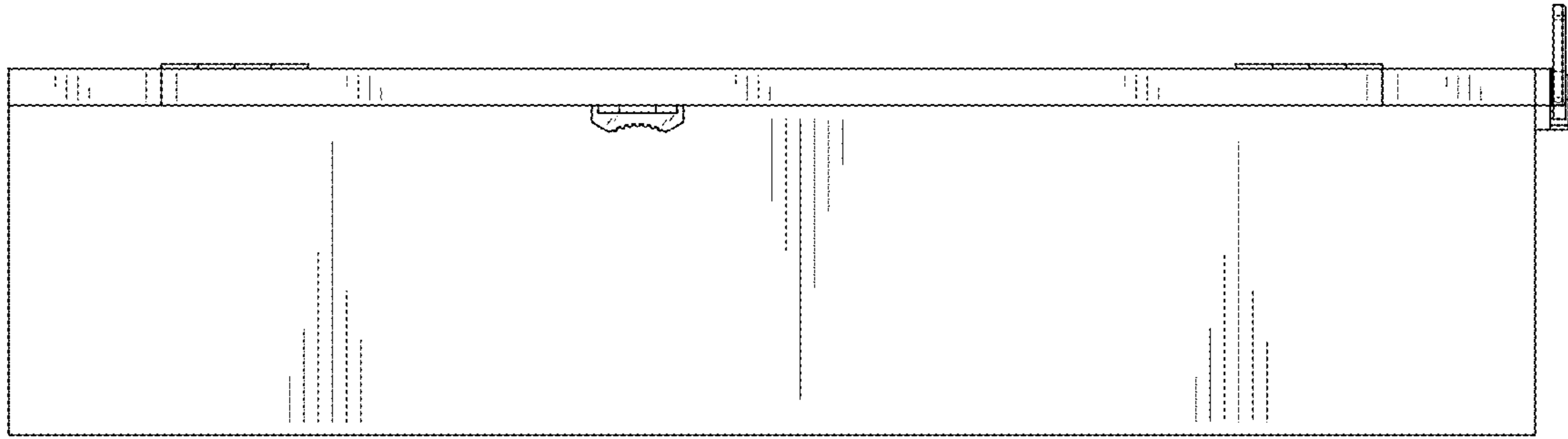


FIG. 4

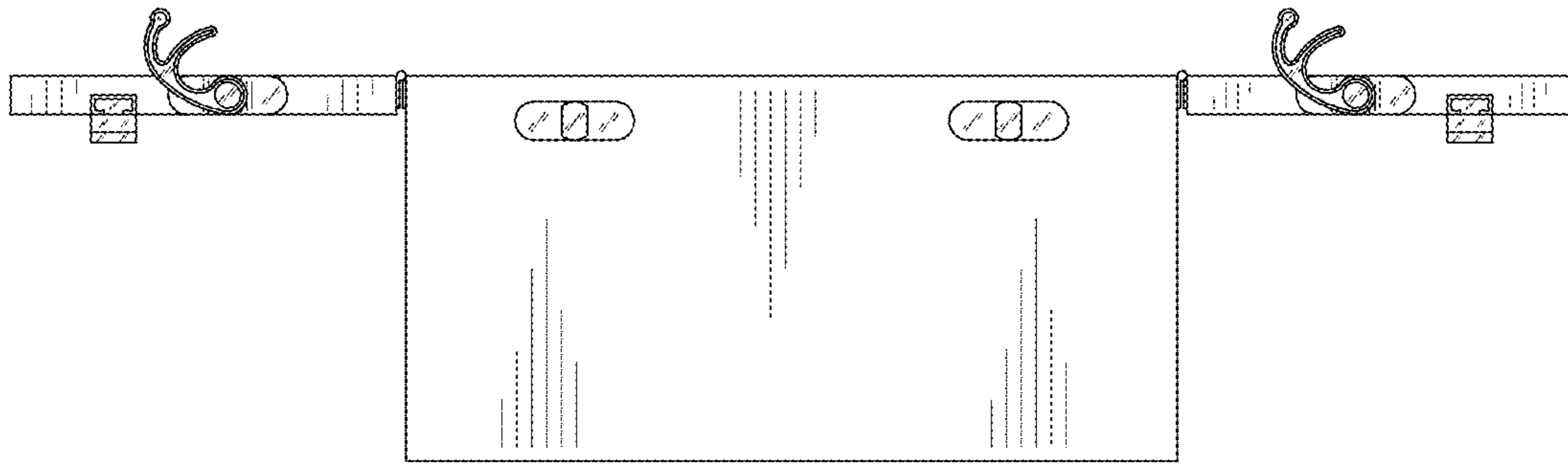


FIG. 5

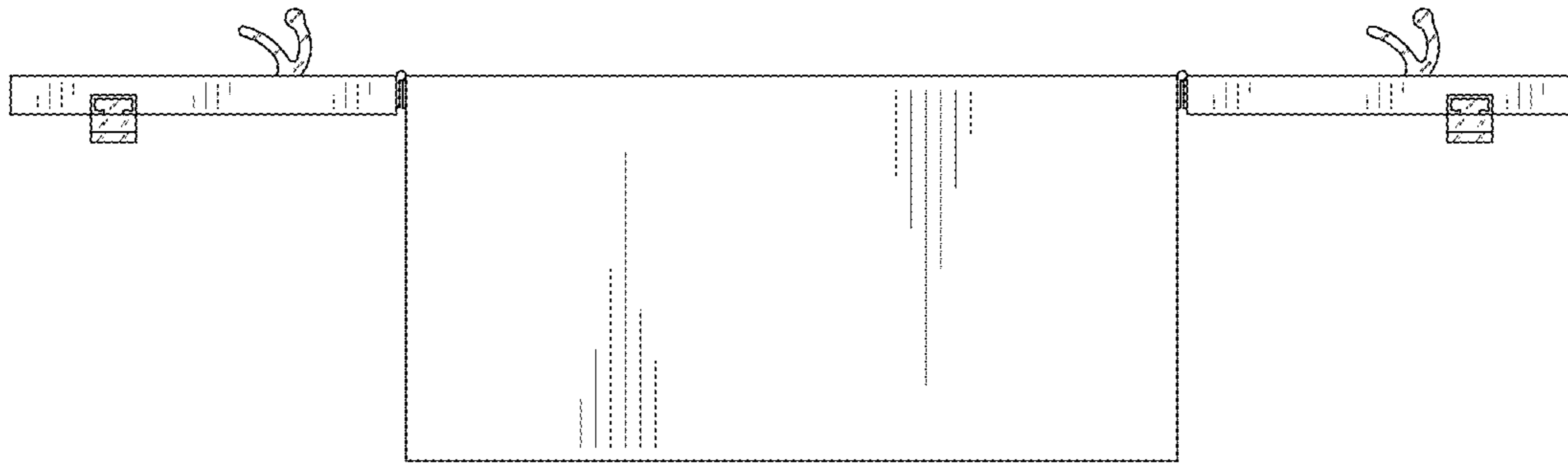


FIG. 6

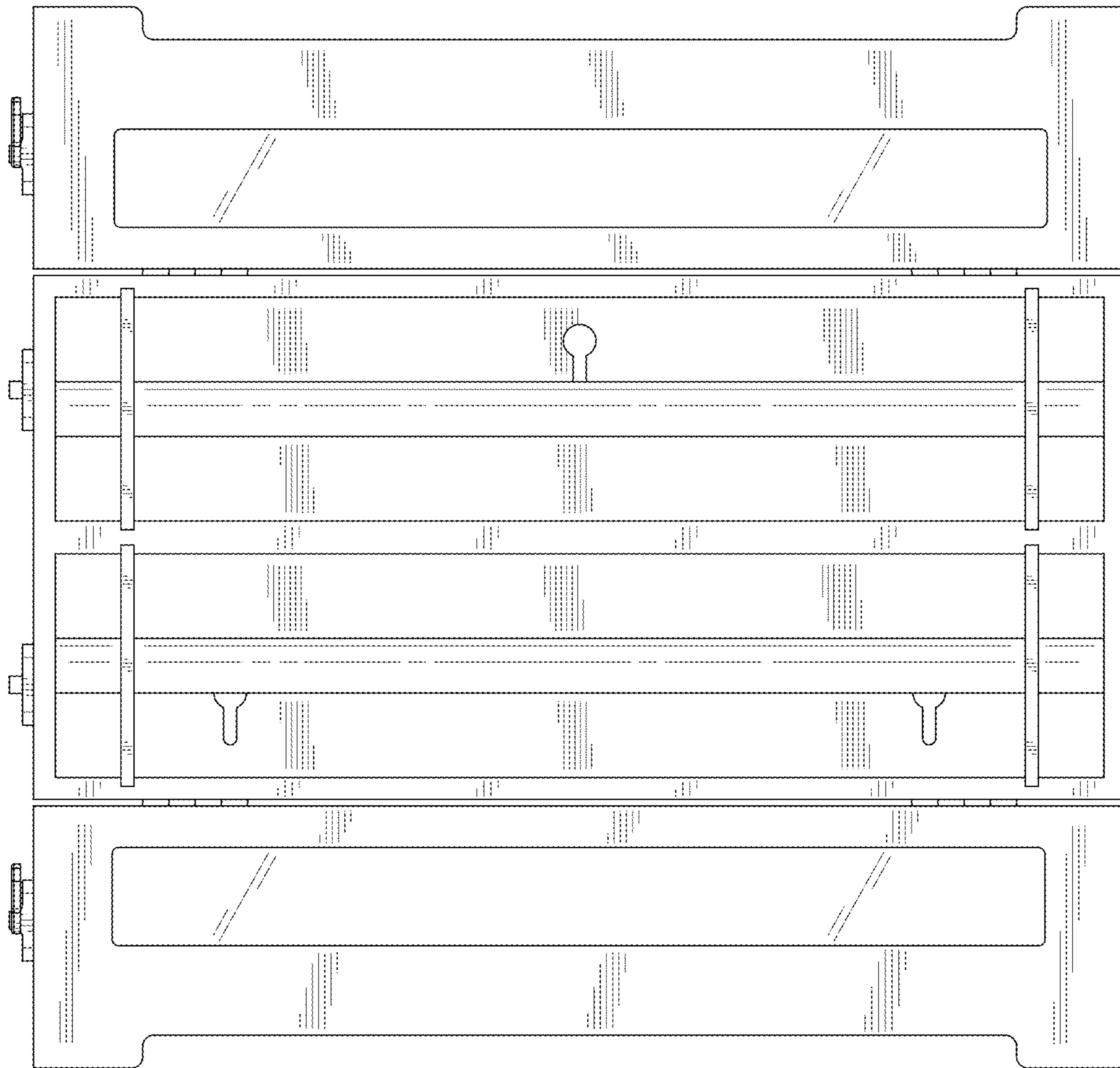


FIG. 7

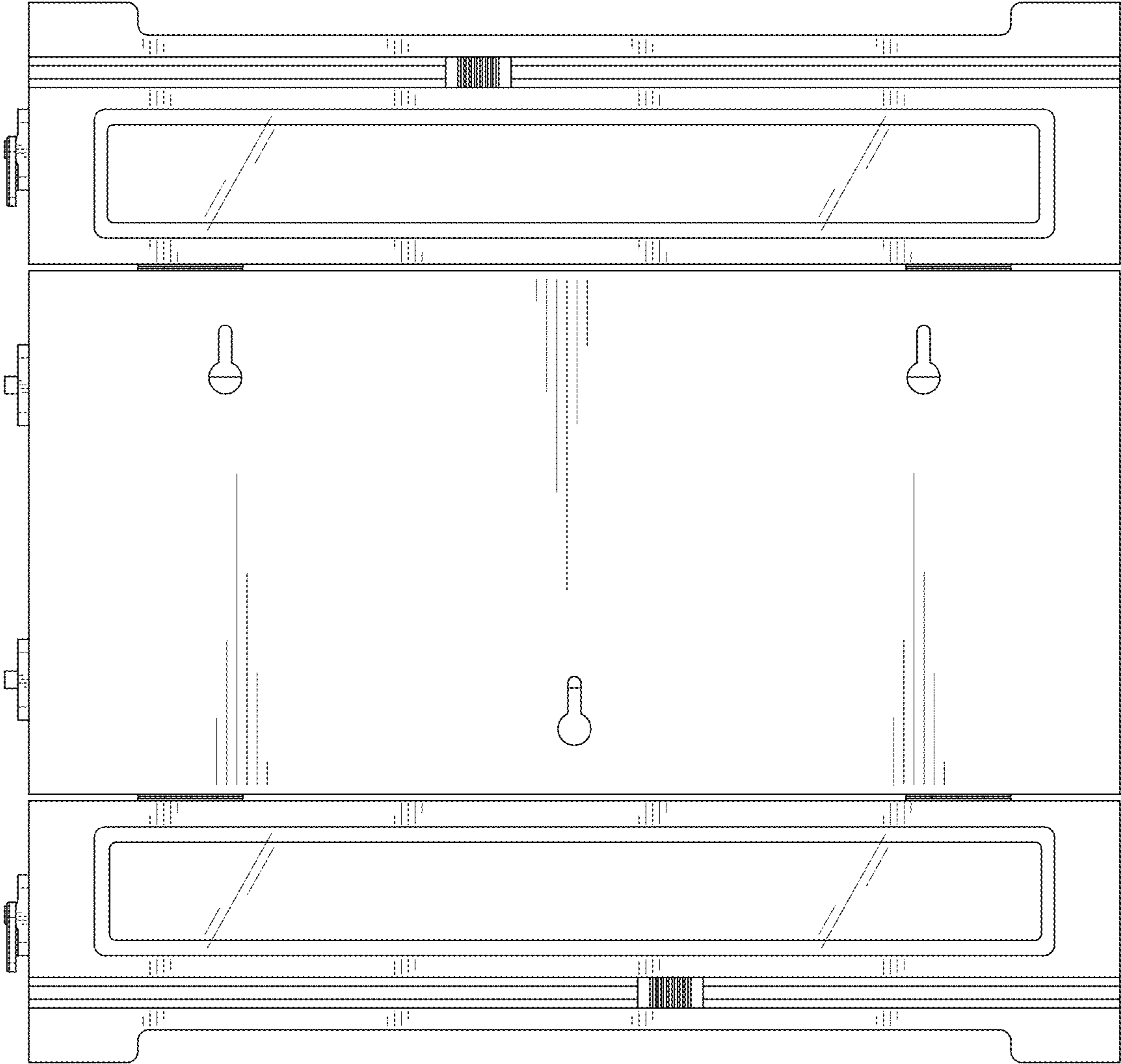


FIG. 8

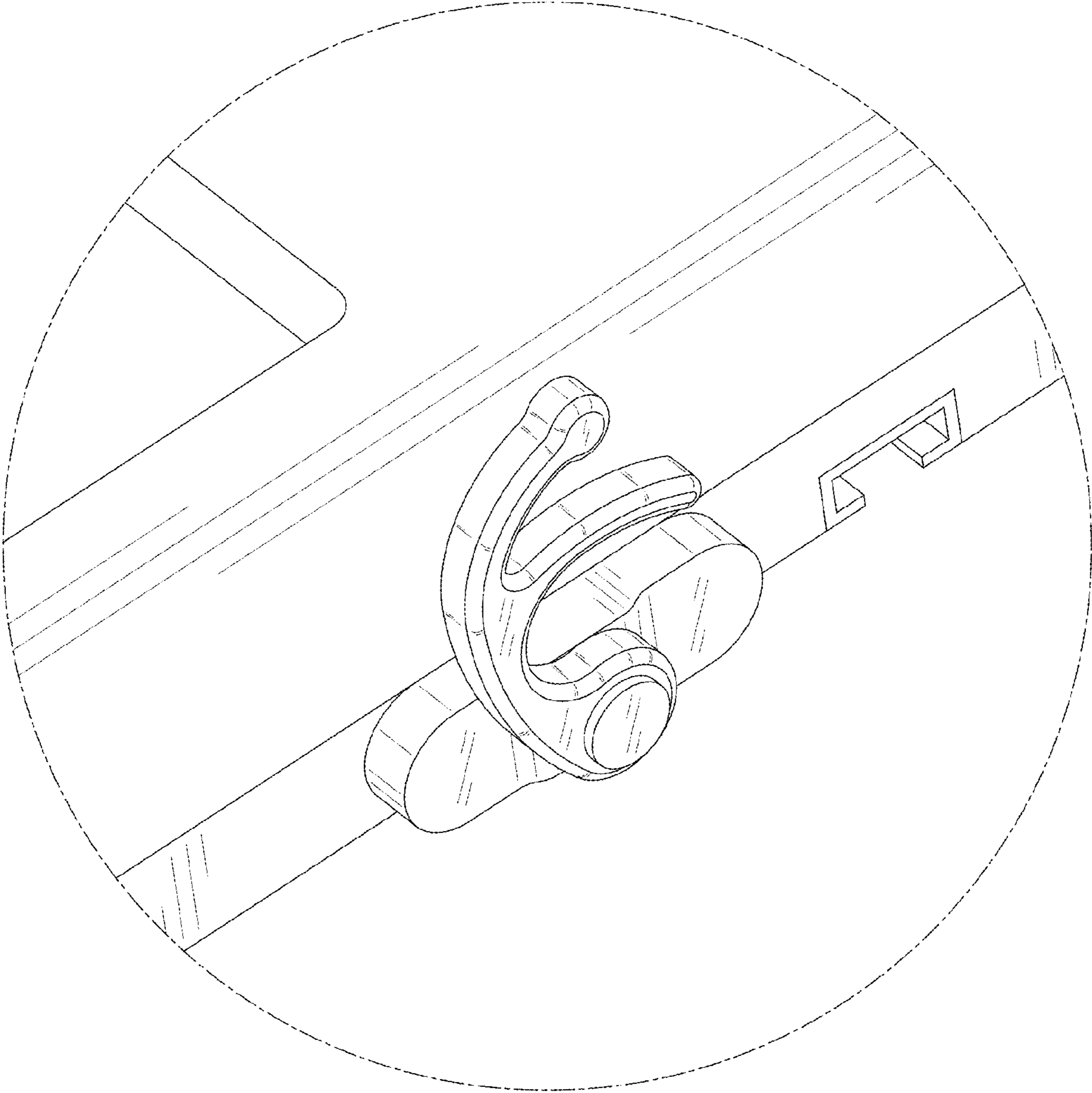


FIG. 9

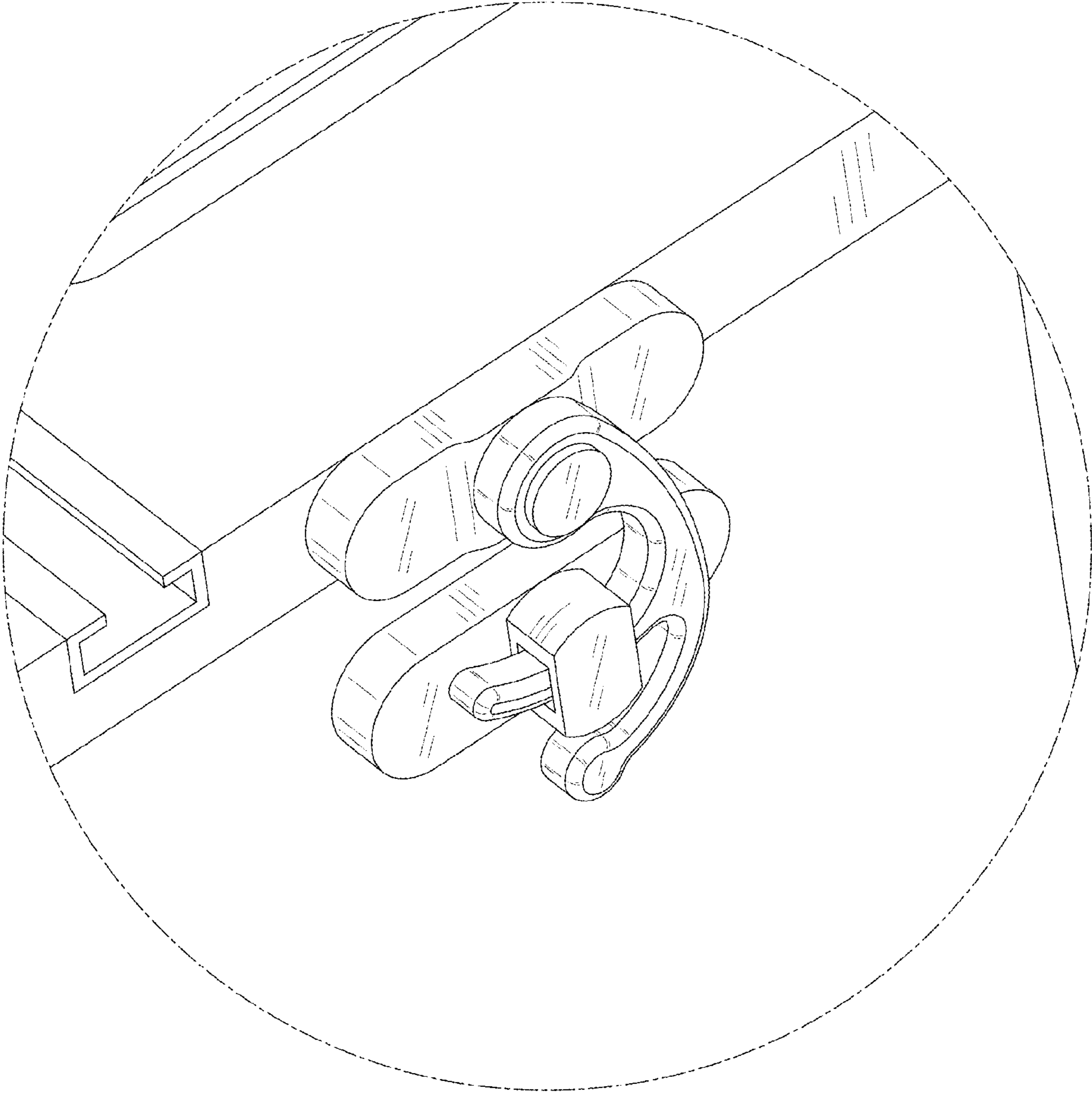


FIG. 10