



US00D980017S

(12) **United States Design Patent**
Bornfleth

(10) **Patent No.:** **US D980,017 S**

(45) **Date of Patent:** **** *Mar. 7, 2023**

- (54) **LARGE SERVING PLANK**
- (71) Applicant: **AARON'S QUALITY DETAILING, LLC**, Largo, FL (US)
- (72) Inventor: **Aaron Bornfleth**, Largo, FL (US)
- (73) Assignee: **AARON'S QUALITY DETAILING, LLC**, Largo, FL (US)
- (*) Notice: This patent is subject to a terminal disclaimer.
- (**) Term: **15 Years**
- (21) Appl. No.: **29/767,289**
- (22) Filed: **Jan. 21, 2021**
- (51) **LOC (14) Cl.** **07-01**
- (52) **U.S. Cl.**
USPC **D7/553.2**
- (58) **Field of Classification Search**
USPC D7/500, 550.1, 552.1, 552.2, 553.1, D7/553.2, 553.3, 553.4, 553.5, 601-602, D7/397, 554.3, 555
CPC A47G 19/30; A47G 19/02; A47G 23/06; A47G 23/0608; A47G 21/08
See application file for complete search history.

- D271,932 S * 12/1983 Mosley D7/553.5
- D318,481 S * 7/1991 Milne D7/505
- D333,237 S * 2/1993 Plaut D7/549
- D335,796 S * 5/1993 Barnes D7/553.5
- D359,594 S * 6/1995 Macri D30/133
- D364,072 S * 11/1995 Keable D7/553.5
- D396,953 S * 8/1998 Iversen D3/310
- D396,956 S * 8/1998 Iversen D19/75
- D399,095 S * 10/1998 Schmidt D7/554.1
- D406,727 S * 3/1999 Weatherby D7/553.5
- D563,176 S * 3/2008 Gruneisen, III D7/553.2
- D564,677 S * 3/2008 Farber D25/68
- D575,585 S * 8/2008 Geens D7/553.2
- D583,123 S * 12/2008 Cassin, III D34/27
- D669,311 S * 10/2012 Hsu D7/553.5
- D687,300 S * 8/2013 Jones D9/456
- D689,772 S * 9/2013 Jones D9/456
- D690,164 S * 9/2013 Lock D7/553.2
- D746,637 S * 1/2016 Mairinger D7/553.2

(Continued)

Primary Examiner — Kelley A Donnelly
(74) *Attorney, Agent, or Firm* — Jacob M. Ward; Ward Law Office LLC

(57) **CLAIM**

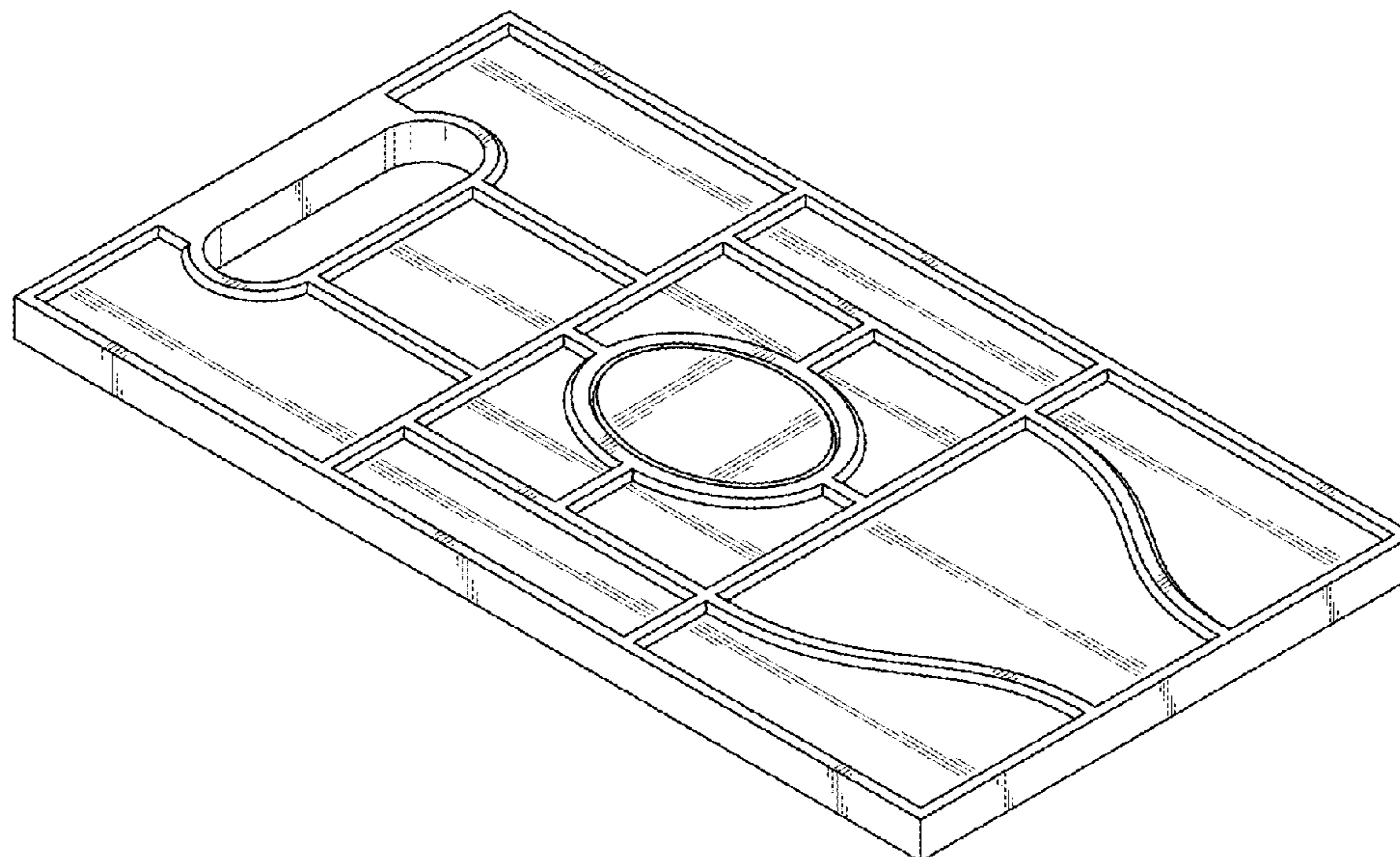
The ornamental design for a large serving plank, as shown and described.

DESCRIPTION

FIG. 1 is a top perspective view of a large serving plank; FIG. 2 is a top plan view of the large serving plank of FIG. 1; FIG. 3 is a bottom plan view thereof; FIG. 4 is a front elevational view thereof; and, FIG. 5 is a right side elevational view thereof. The ornamental design which is claimed is shown in solid lines in the drawings. A rear elevational view is not shown because it is identical to the front elevational shown in FIG. 4. A left side elevational view is not shown because it is identical to the right side elevational view shown in FIG. 5.

1 Claim, 3 Drawing Sheets

- (56) **References Cited**
U.S. PATENT DOCUMENTS
- D143,364 S * 12/1945 Storch D7/553.4
- D204,999 S * 6/1966 Edwards 108/46
- D206,761 S * 1/1967 Kirwan D7/553.5
- D219,240 S * 11/1970 Bridges et al. D7/553.5
- 3,877,603 A * 4/1975 Holz A47G 23/06
D7/553.5
- D253,628 S * 12/1979 Adamson D7/553.2
- D255,310 S * 6/1980 Spencer D9/761
- D264,420 S * 5/1982 Beckerman D7/638
- D267,462 S * 1/1983 Kneale, III D7/545



(56)

References Cited

U.S. PATENT DOCUMENTS

D771,384 S	*	11/2016	Aldredge	D3/313
D836,832 S	*	12/2018	Kesselman	D27/186
D836,991 S	*	1/2019	Wansink	D7/553.5
D920,058 S	*	5/2021	Fiola	D7/698
D926,529 S	*	8/2021	Mayer	D7/554.3
D941,953 S	*	1/2022	English	D22/136
D942,217 S	*	2/2022	Hong	D7/553.5

* cited by examiner

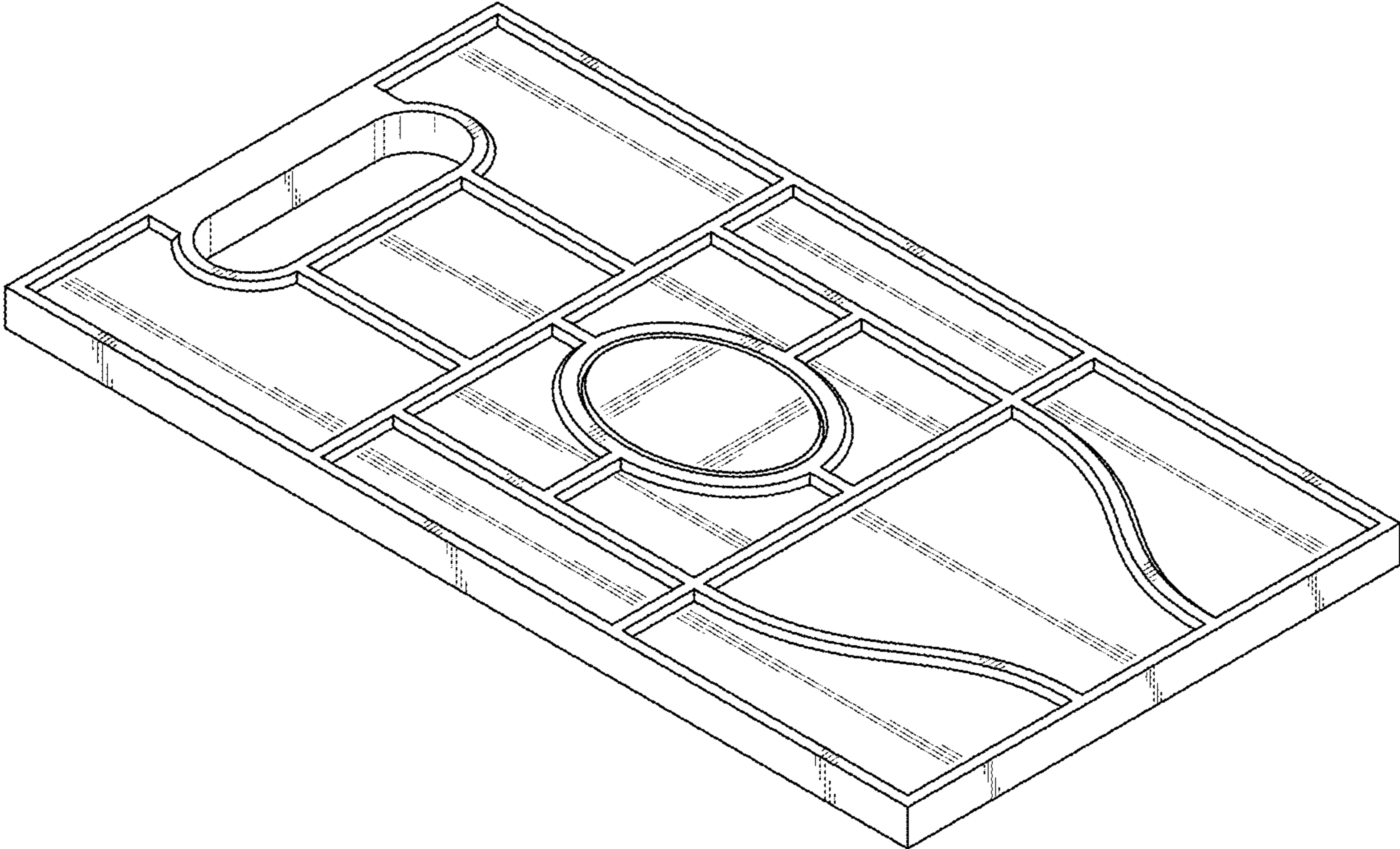


FIG. 1

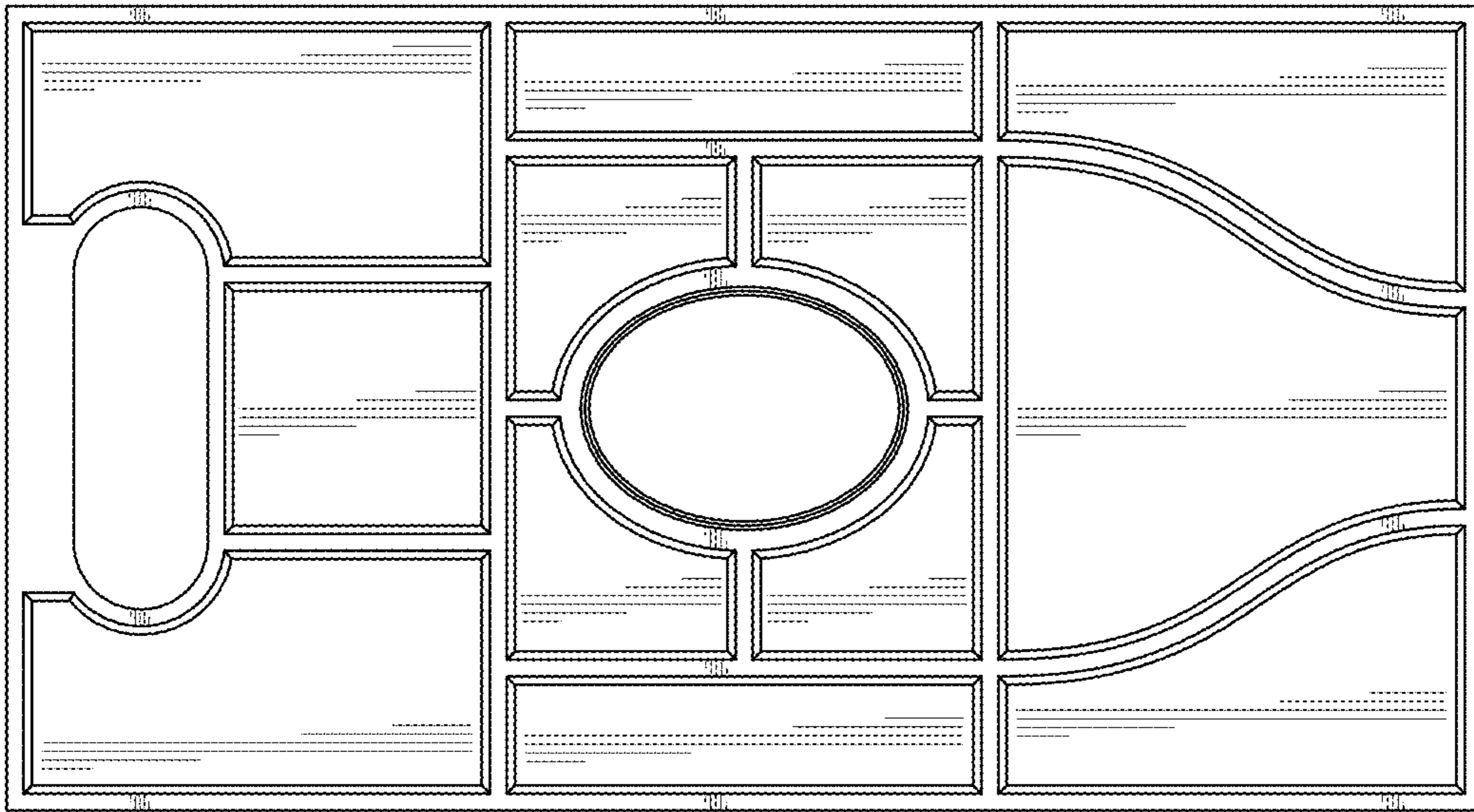


FIG. 2

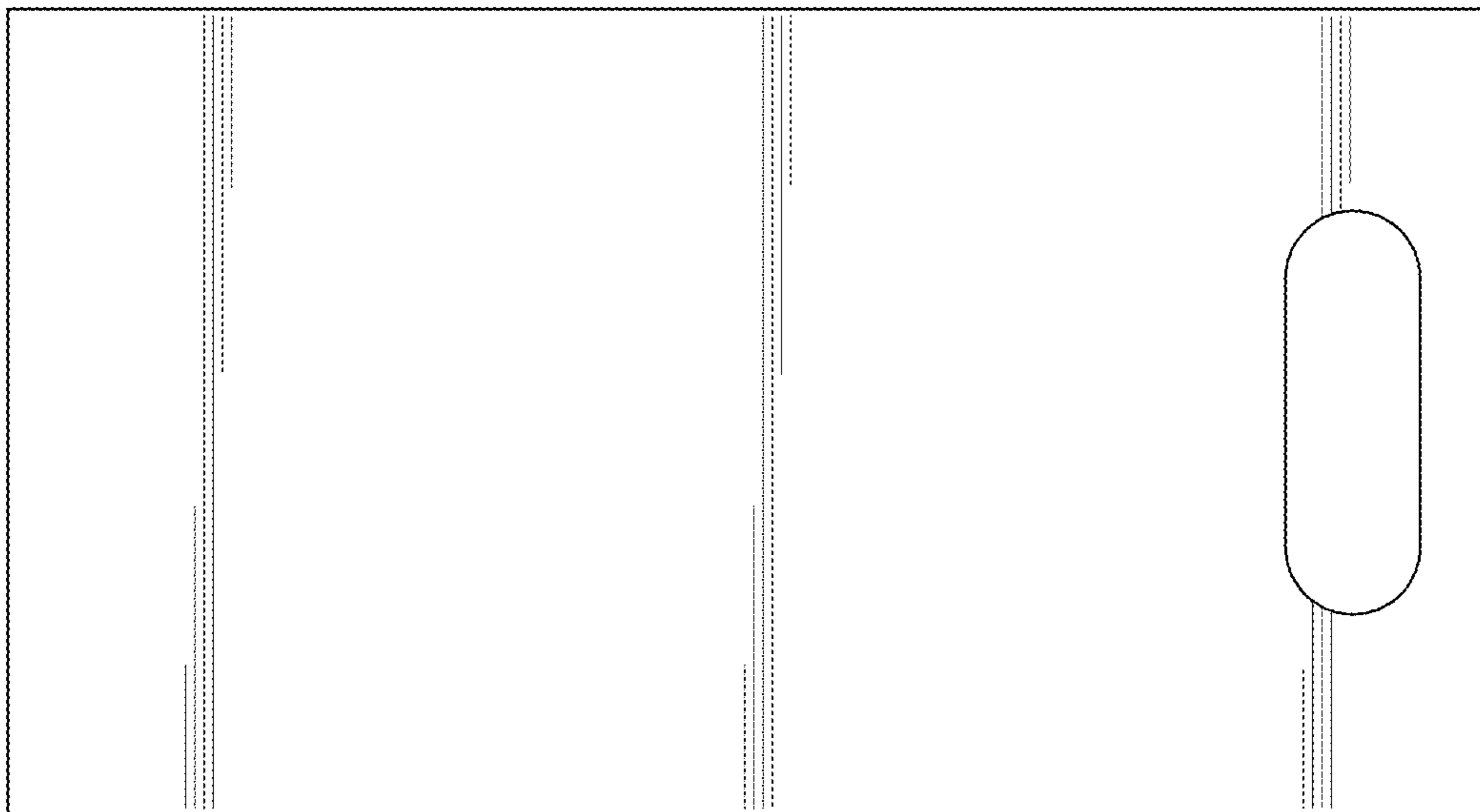


FIG. 3

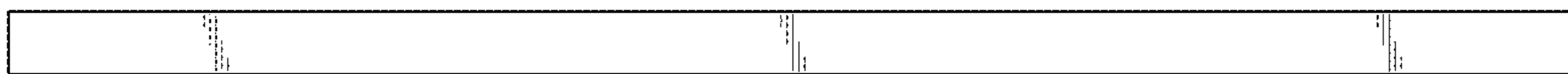


FIG. 4



FIG. 5