



US00D980016S

(12) **United States Design Patent** (10) **Patent No.:** **US D980,016 S**
Xu (45) **Date of Patent:** **** Mar. 7, 2023**

(54) **WATER BOTTLE**

FOREIGN PATENT DOCUMENTS

(71) Applicant: **Yang Xu**, Jinhua (CN)

CN 202112547 U * 1/2012
CN 307584618 * 10/2022
EP 0146758 A1 * 7/1985

(72) Inventor: **Yang Xu**, Jinhua (CN)

(**) Term: **15 Years**

OTHER PUBLICATIONS

(21) Appl. No.: **29/854,023**

Hydrohug water bottle on Facebook. Date posted: Sep. 2, 2019. Site visited: Nov. 21, 2022. Available online: <https://www.facebook.com/hydrojug/photos/a.1385391591495661/2633617503339724> (Year: 2019).*

(22) Filed: **Sep. 21, 2022**

Best 1 Gallon Water Jug on YouTube: Date posted: Jul. 17, 2022. Site visited: Nov. 21, 2022. Available online: <https://www.youtube.com/watch?v=dkXMJwAFRi0> (Year: 2022).*

(51) **LOC (14) Cl.** **07-01**

(52) **U.S. Cl.**

USPC **D7/536**; D7/510; D7/511

(58) **Field of Classification Search**

USPC D9/527-528, 516, 523, 531-532, 575, D9/554; D7/509-511, 523, 532, 536, D7/601-608, 622, 619.1, 709, 629, 529; D3/202; D23/211.1

CPC B65D 51/18; B65D 81/3876; B65D 81/38; B65D 23/108; A47J 41/00; A47J 41/005; A47J 41/0011

See application file for complete search history.

* cited by examiner

Primary Examiner — Catherine S Posthauer

Assistant Examiner — Joan E. Diehl

(74) *Attorney, Agent, or Firm* — Jeenam Park

(57) **CLAIM**

The ornamental design for a water bottle, as shown and described.

(56) **References Cited**

DESCRIPTION

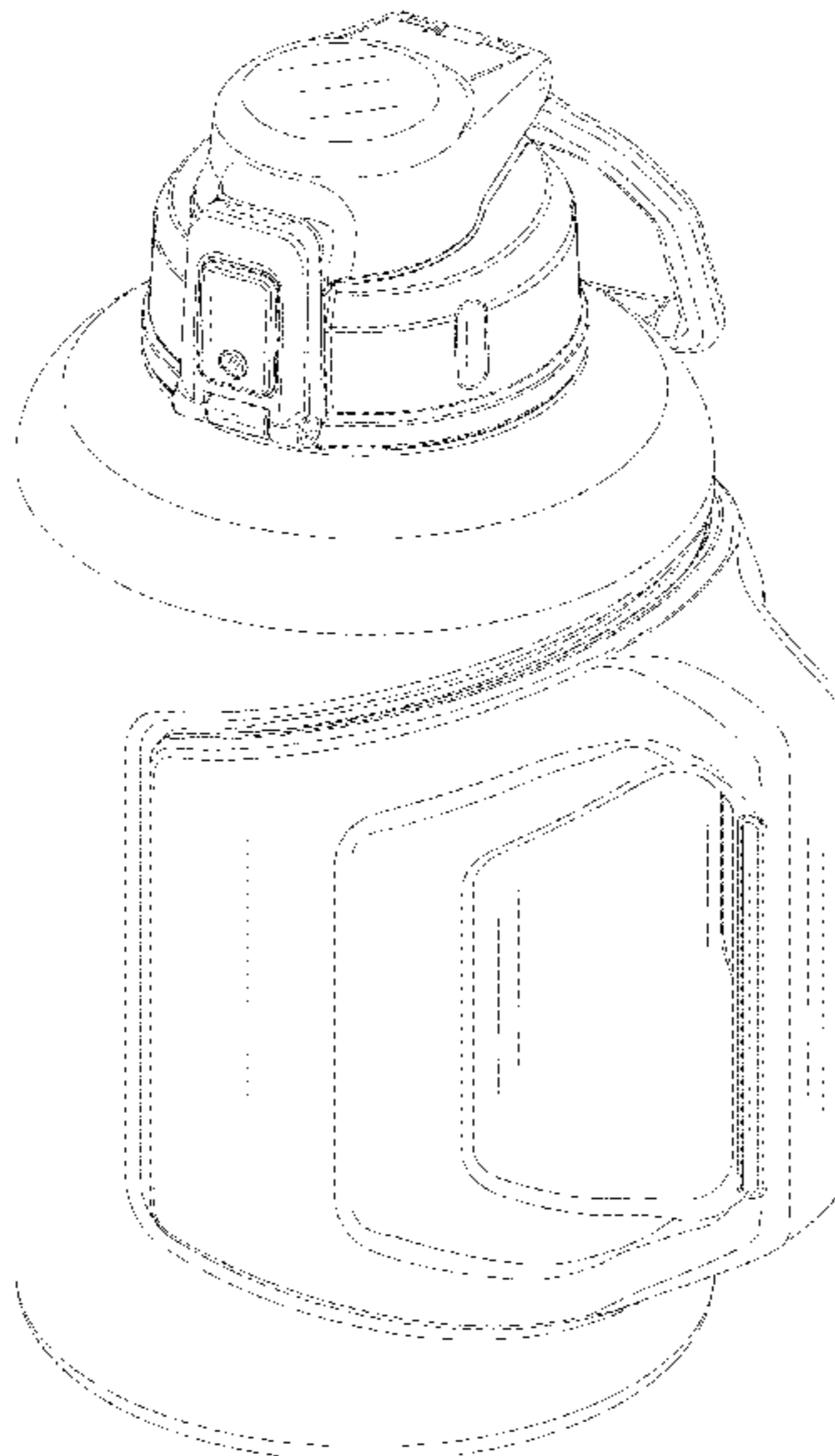
U.S. PATENT DOCUMENTS

D838,598 S *	1/2019	Melkonian	D9/531
D844,384 S *	4/2019	Potter	D7/532
D873,145 S *	1/2020	Hamgeri	D9/532
D880,256 S *	4/2020	Silby	D7/629
D886,527 S	6/2020	Huang		
D893,262 S *	8/2020	Wang	D9/531
D899,189 S *	10/2020	Pan	D7/529
D901,249 S *	11/2020	Huang	D7/511
D922,826 S *	6/2021	Lin	D7/510
D933,425 S *	10/2021	Hao	D7/533
D951,096 S *	5/2022	Melkonian	D9/554
D951,713 S	5/2022	Qiu		
D955,817 S *	6/2022	Hao	D7/510
2017/0158412 A1 *	6/2017	Seiders	B65D 23/108

FIG. 1 is a front, top and right side perspective view of a water bottle, showing my new design;
FIG. 2 is a front view thereof;
FIG. 3 is a rear view thereof;
FIG. 4 is a left side view thereof;
FIG. 5 is a right side view thereof;
FIG. 6 is a top plan view thereof; and,
FIG. 7 is a bottom plan view thereof.

The broken lines shown in the drawings are for the purpose of illustrating parts of the article that form no part of the claimed design.

1 Claim, 7 Drawing Sheets



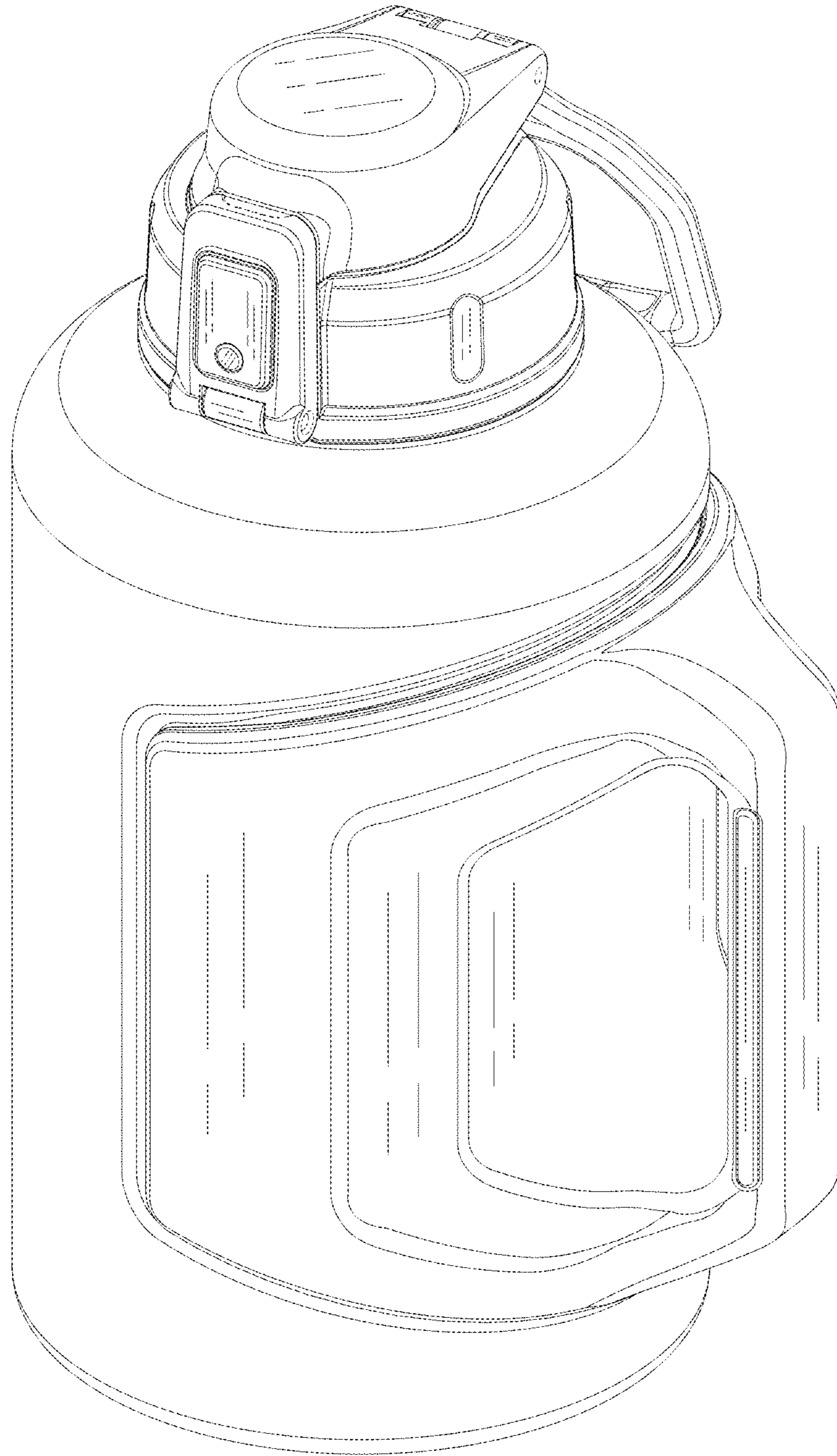


FIG. 1

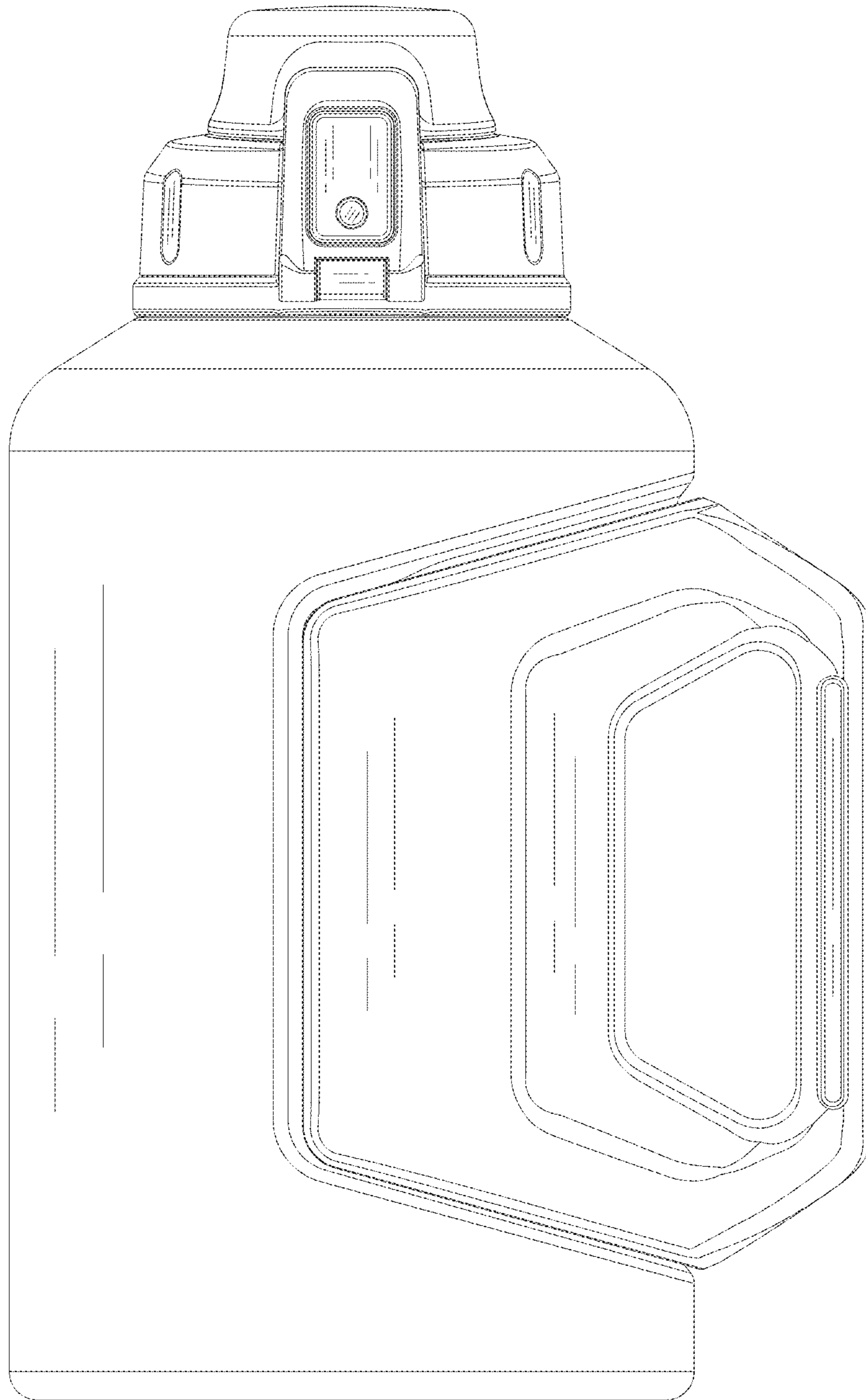


FIG. 2

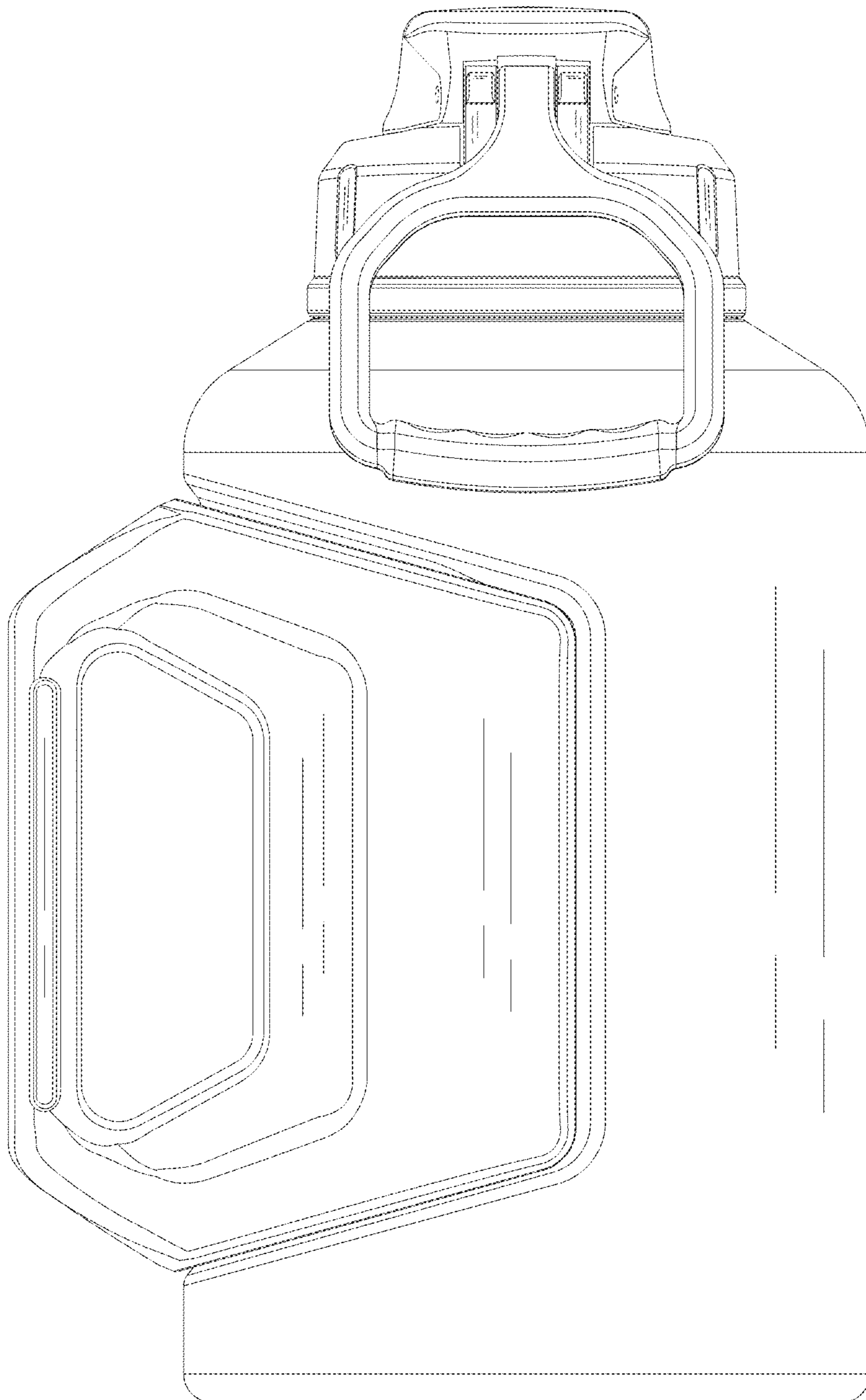


FIG. 3

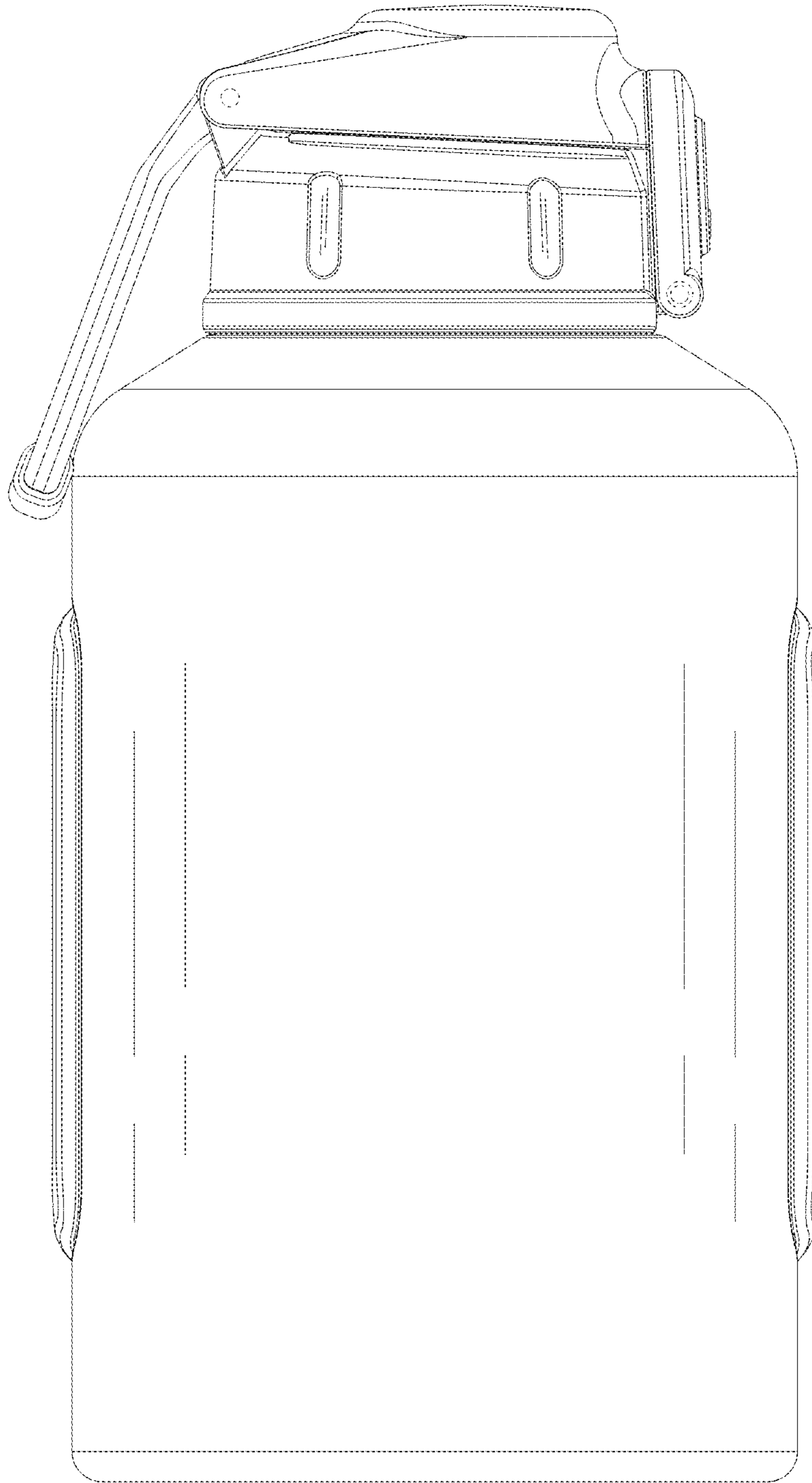


FIG. 4

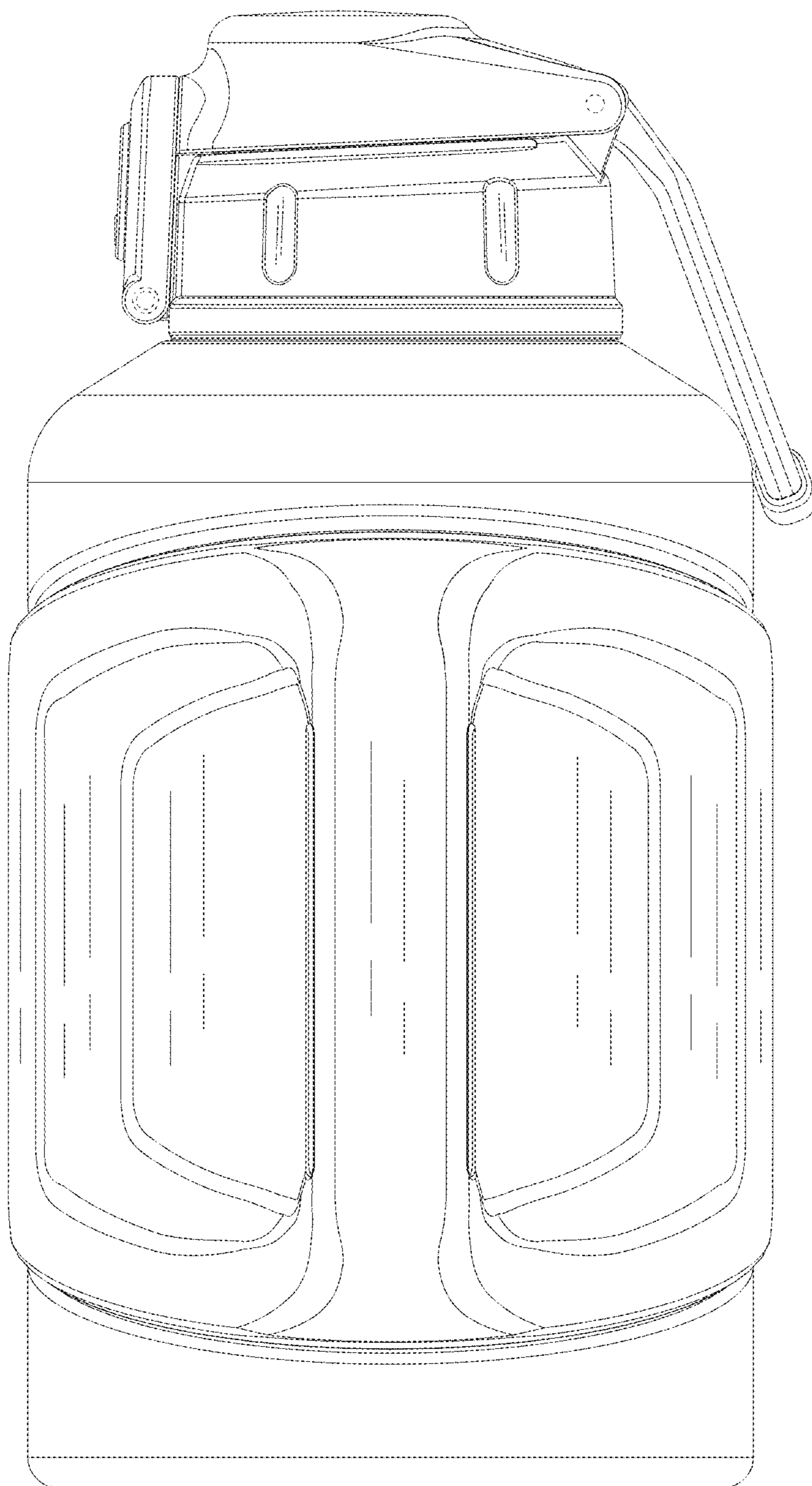


FIG. 5

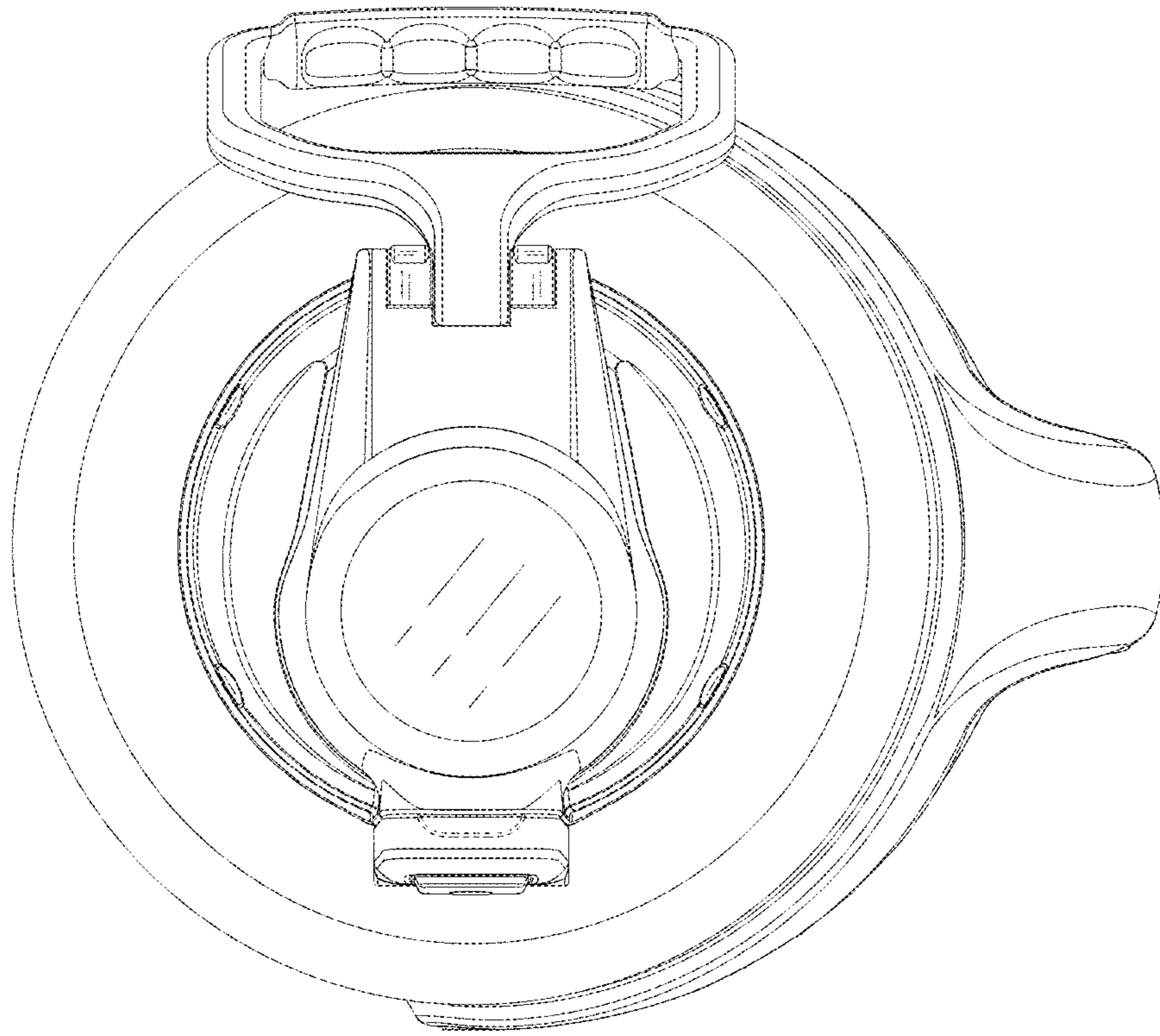


FIG. 6

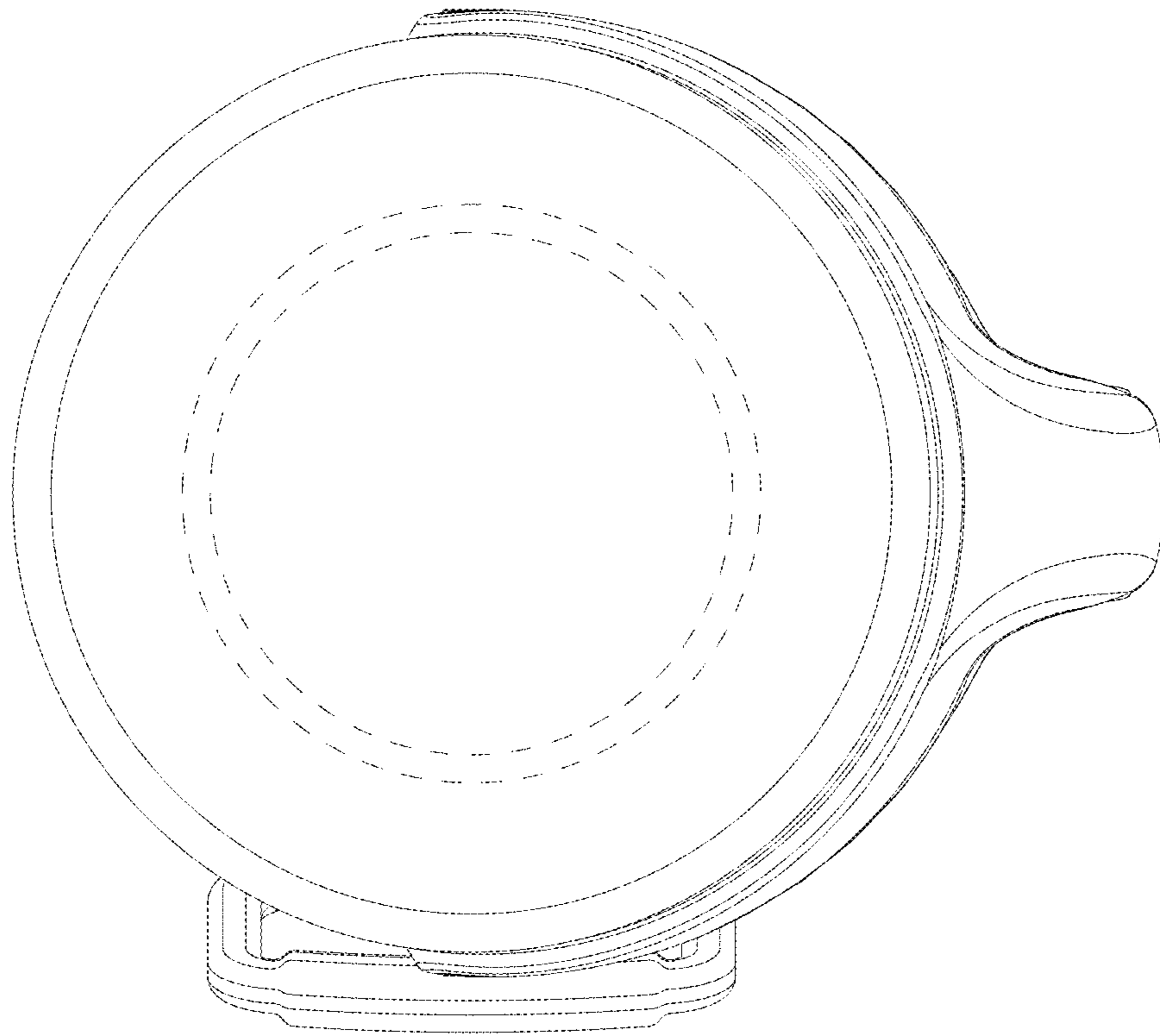


FIG. 7