



US00D980015S

(12) **United States Design Patent** (10) **Patent No.:** **US D980,015 S**
Joseph (45) **Date of Patent:** **** Mar. 7, 2023**

(54) **TURNTABLE**
(71) Applicant: **JOSEPH JOSEPH, LTD.**, London (GB)
(72) Inventor: **Antony Joseph**, London (GB)
(73) Assignee: **JOSEPH JOSEPH, LTD**, London (GB)

D889,173 S * 7/2020 Clayton D6/705.1
D925,305 S * 7/2021 Istrate D7/701
D939,276 S * 12/2021 Greenwood D7/501
D939,277 S * 12/2021 Greenwood D7/501
D941,633 S * 1/2022 Ghiorghie A47J 39/006
D6/677
D951,710 S * 5/2022 Luo D7/501
2003/0015446 A1 * 1/2003 Talbot A47F 5/02
206/373

(**) Term: **15 Years**
(21) Appl. No.: **29/767,234**
(22) Filed: **Jan. 21, 2021**

(30) **Foreign Application Priority Data**
Jul. 22, 2020 (EM) 008050132
(51) **LOC (14) Cl.** **07-01**
(52) **U.S. Cl.**
USPC **D7/501**; D6/705.1
(58) **Field of Classification Search**
USPC D7/500, 501, 550.1, 553.6, 554.2, 555,
D7/590, 600.1, 600.2, 600.4, 601, 701;
D3/304; D6/524, 525, 672, 677, 677.3,
D6/705.1; D28/73
CPC ... A47B 49/00; A47B 49/004; A47B 2200/02;
A47F 5/02; A47G 23/08
See application file for complete search history.

(56) **References Cited**
U.S. PATENT DOCUMENTS
D297,897 S * 10/1988 Stackhouse D6/677
D336,219 S * 6/1993 Held D7/590
D398,078 S * 9/1998 Hsu D19/75
D444,999 S * 7/2001 Govrik D7/553.6
D617,146 S * 6/2010 Harrison D7/501
9,635,980 B2 * 5/2017 Butler A47J 39/006
D802,370 S * 11/2017 Tsai D7/600.4
D868,511 S * 12/2019 McBride D6/677.1
D888,476 S * 6/2020 Clayton D6/705.1

OTHER PUBLICATIONS

Joseph Joseph CupboardStore Rotating Organizer, Amazon, [online], [site visited Oct. 25, 2022], Available from internet URL: <https://www.amazon.com/Joseph-CupboardStore-Rotating-Organizer-Small/dp/B08QH4Z8ZM> (Year: 2022).*

* cited by examiner

Primary Examiner — Mary Ann Calabrese
Assistant Examiner — Natalya M Rapundalo
(74) *Attorney, Agent, or Firm* — Millen, White, Zelano & Branigan, PC; Ryan Pool

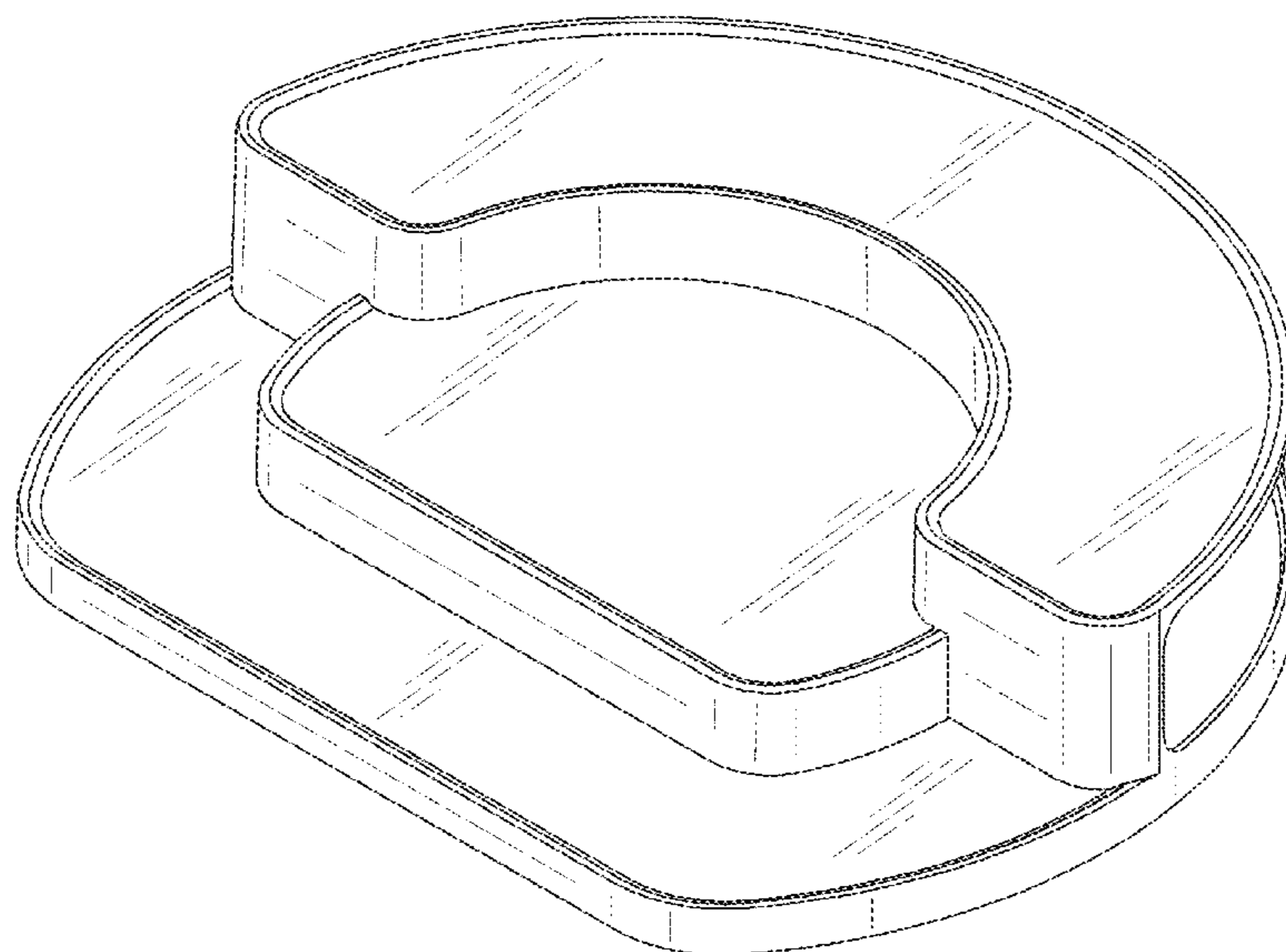
(57) **CLAIM**

The ornamental design for a turntable, as shown and described.

DESCRIPTION

FIG. 1 is a front view of the turntable showing my new design.
FIG. 2 is a back view thereof.
FIG. 3 is a left side view thereof.
FIG. 4 is a right side view thereof.
FIG. 5 is top view thereof.
FIG. 6 is a bottom view thereof.
FIG. 7 is a top perspective view thereof; and,
FIG. 8 is a bottom perspective view thereof.
The broken lines in the drawings illustrate portions of the turntable which form no part of the claimed design.

1 Claim, 8 Drawing Sheets



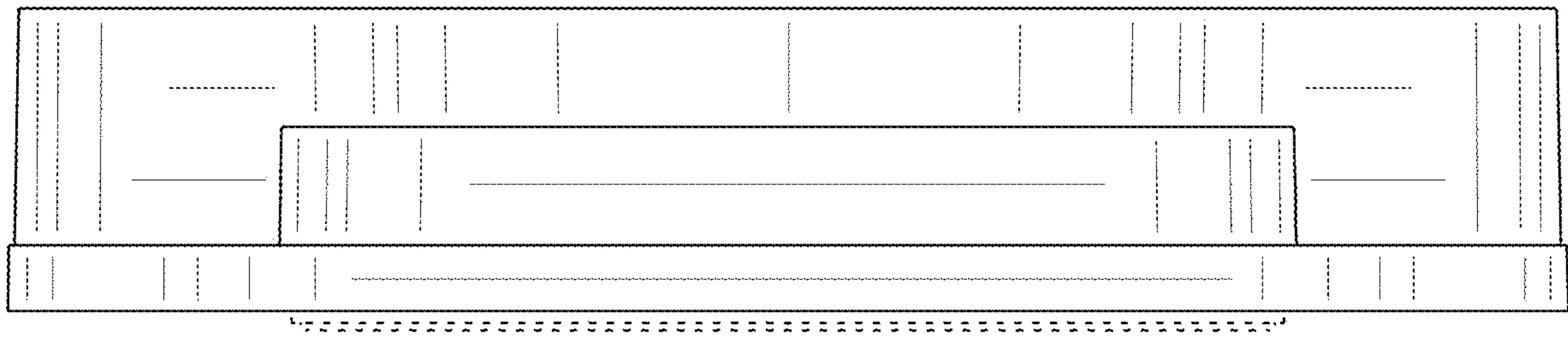


FIG. 1

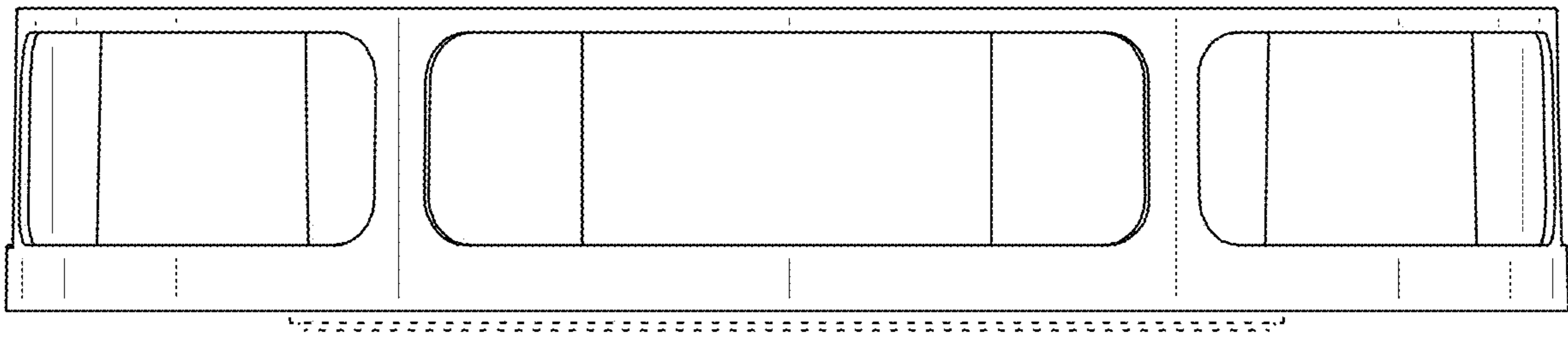


FIG. 2

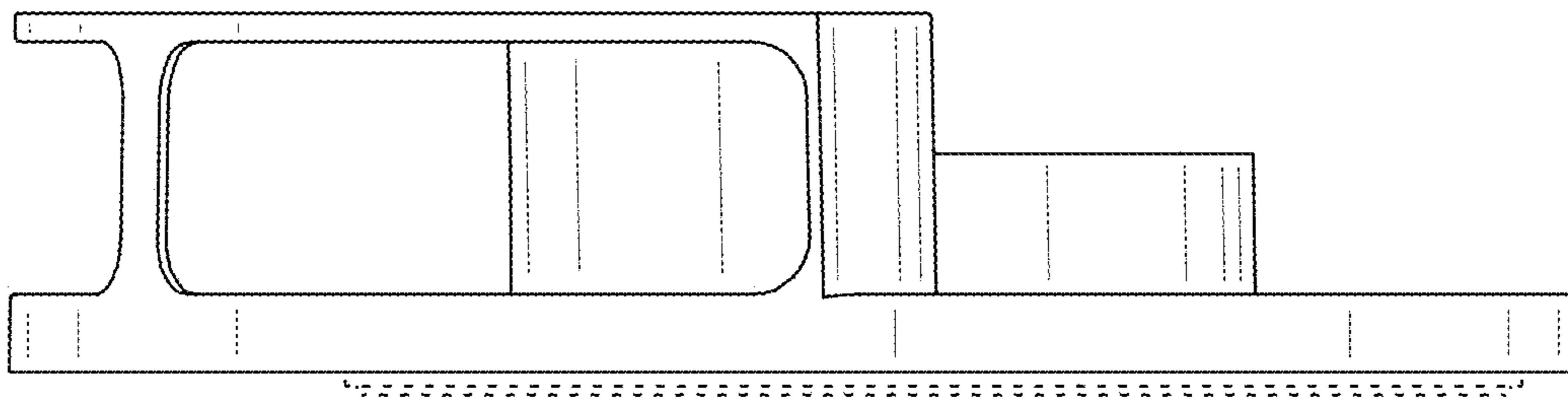


FIG. 3

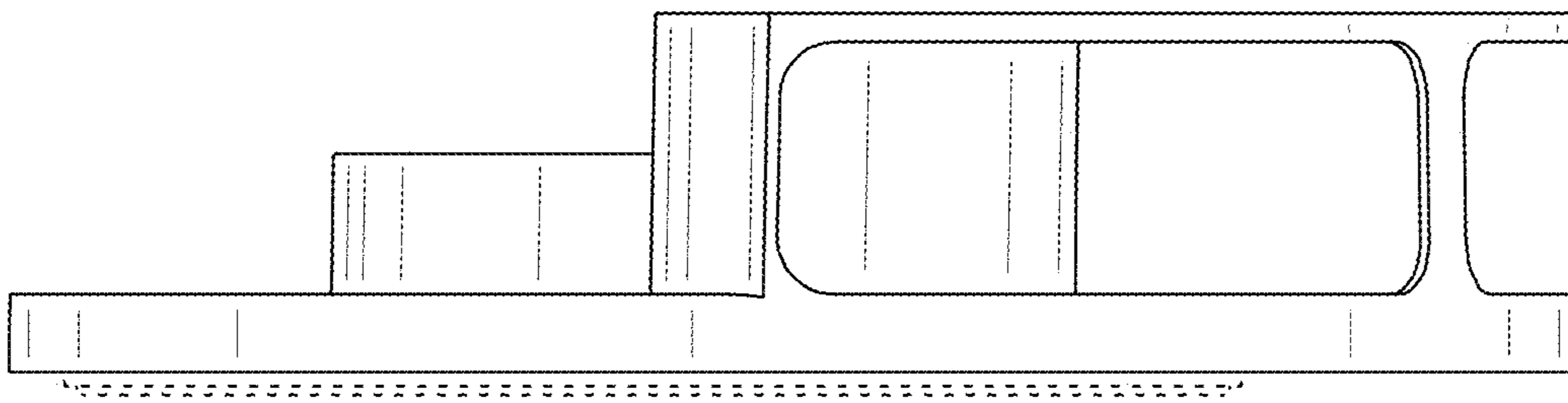


FIG. 4

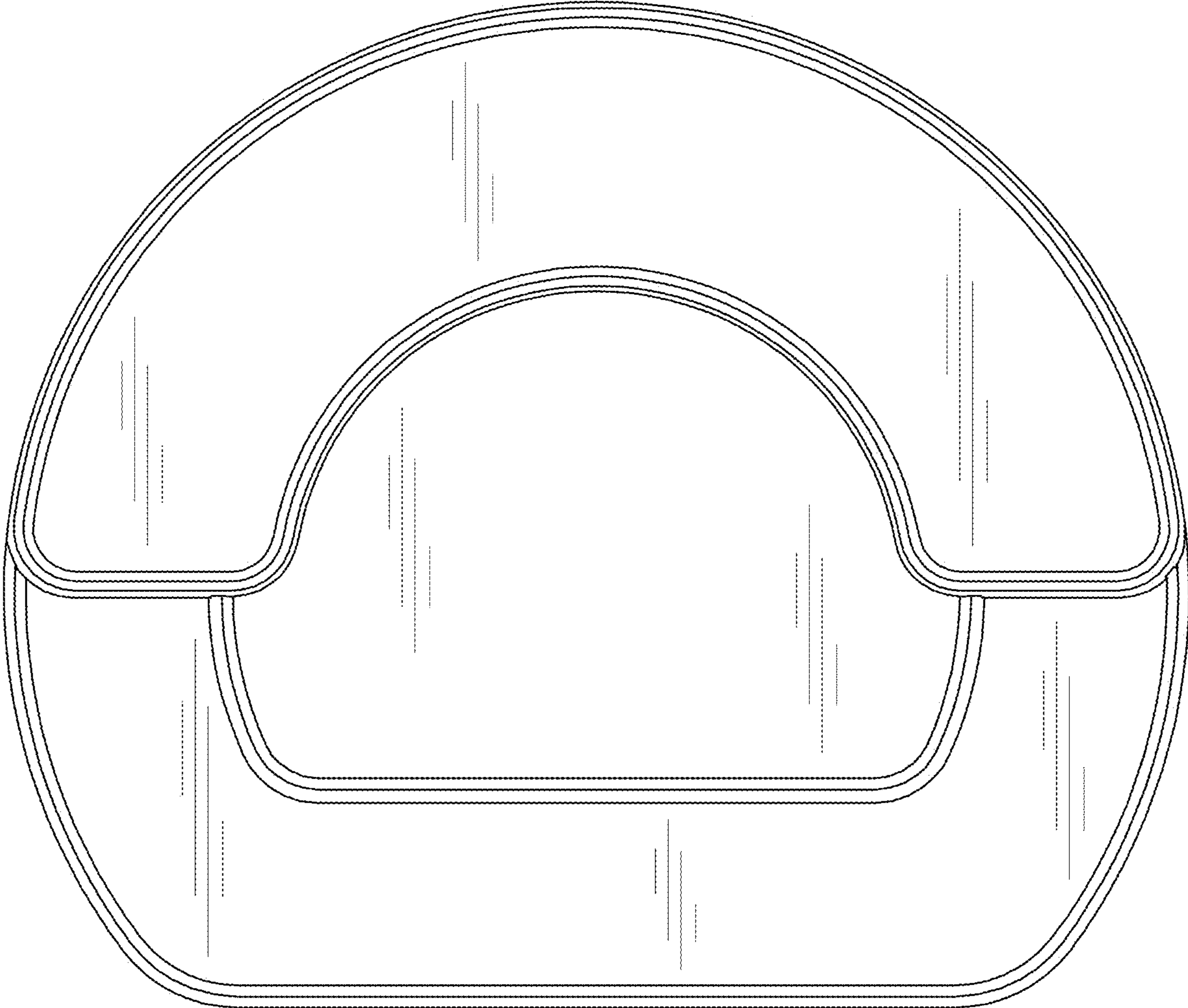


FIG. 5

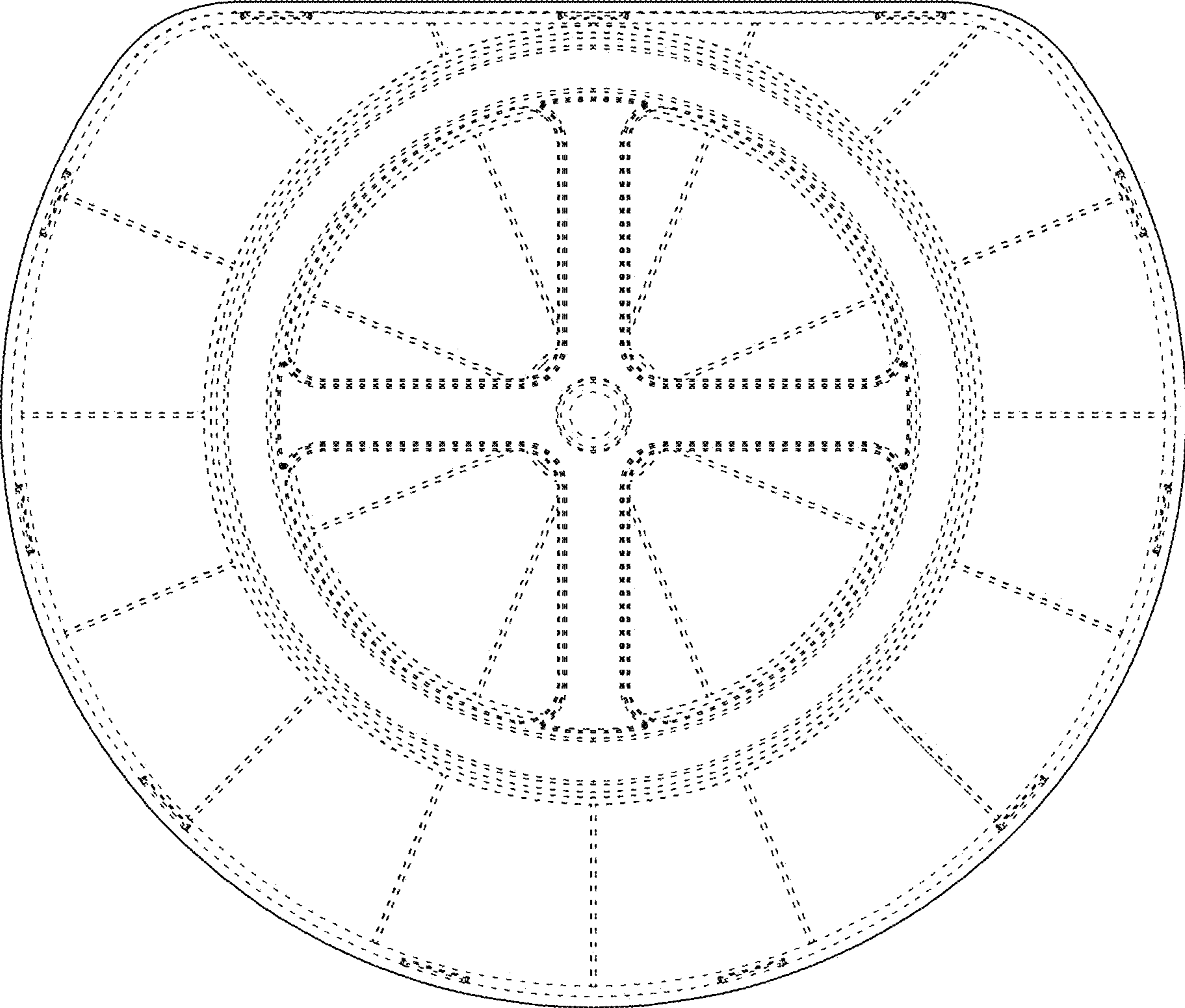


FIG. 6

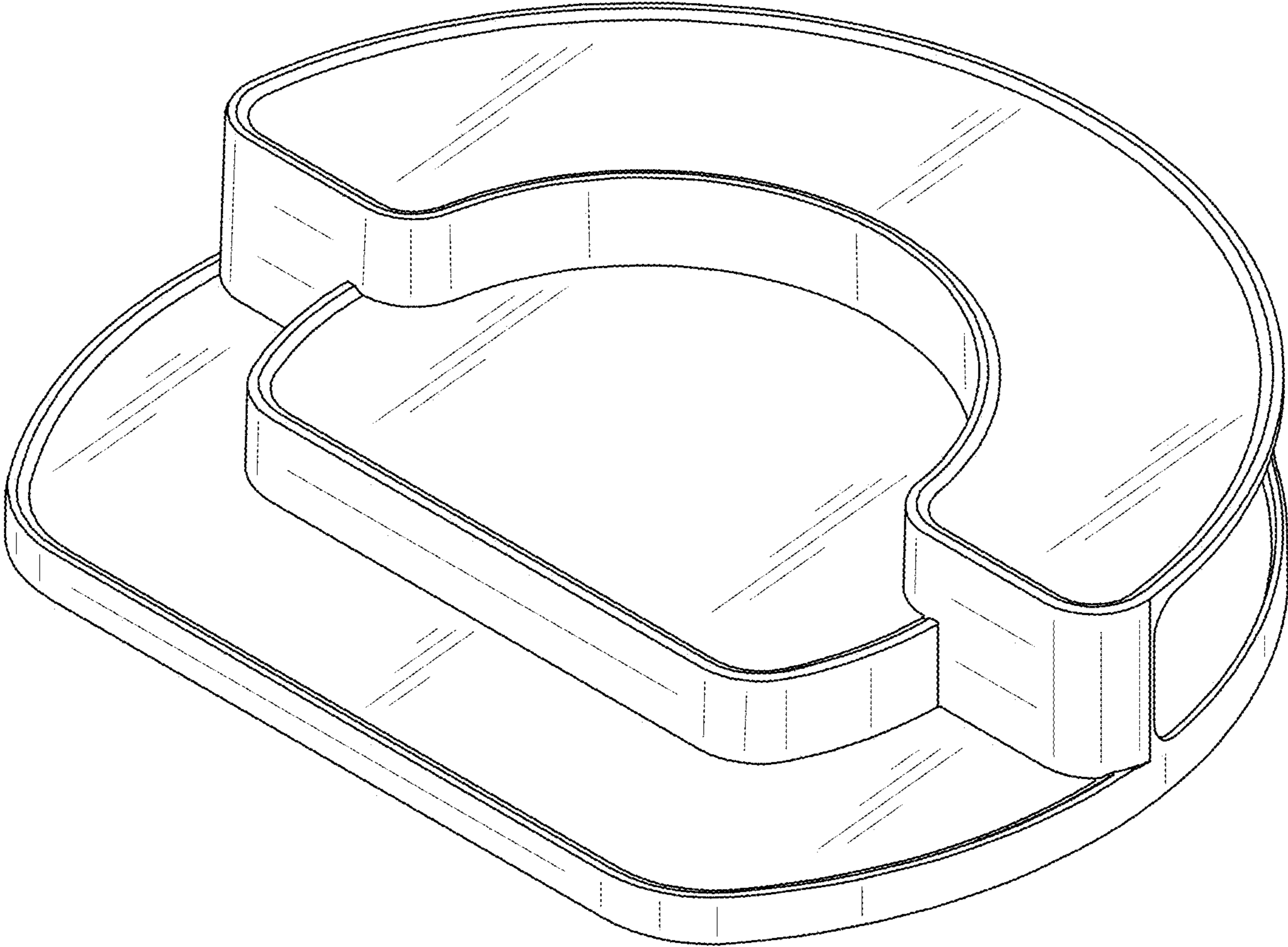


FIG. 7

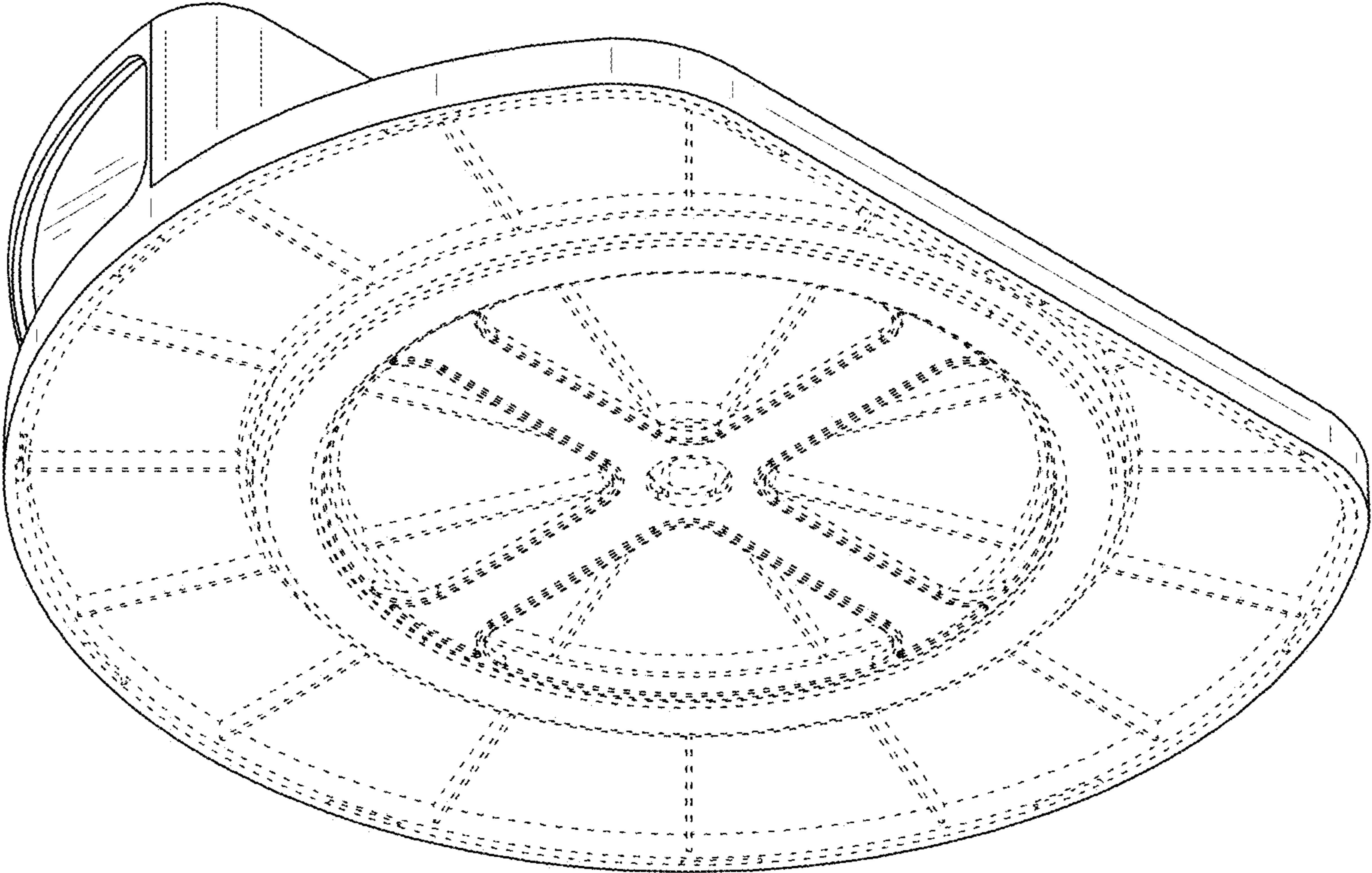


FIG. 8