



US00D980014S

(12) **United States Design Patent**
Jayabalan et al.

(10) **Patent No.:** **US D980,014 S**
(45) **Date of Patent:** **** Mar. 7, 2023**

(54) **PASTRY BEATER**

FOREIGN PATENT DOCUMENTS

(71) Applicant: **WHIRLPOOL CORPORATION**,
Benton Harbor, MI (US)

FR 2787038 B1 1/2002
FR 3050918 A1 11/2017
GB 1401508 A 7/1975

(72) Inventors: **Naveen Jayabalan**, Stevensville, MI (US); **Brandon T. Mock**, St. Joseph, MI (US); **Joseph Snyder**, Benton Harbor, MI (US); **Jeremy T. Wolters**, Stevensville, MI (US)

OTHER PUBLICATIONS

KitchenAid Pastry Tilt Head Stand Mixer Beater, Amazon.com, First available date: Sep. 23, 2021. Retrieved from the internet Oct. 18, 2022<URL:https://www.amazon.com/KitchenAid-Pastry-Beater-Attachment-Silver/dp/B09GXHK4CV/ (Year: 2021).*

(73) Assignee: **Whirlpool Corporation**, Benton Harbor, MI (US)

Primary Examiner — Joseph Kukella
Assistant Examiner — Darryl J Dardenne

(**) Term: **15 Years**

(74) *Attorney, Agent, or Firm* — Price Heneveld LLP

(21) Appl. No.: **29/776,480**

(22) Filed: **Mar. 30, 2021**

(57) **CLAIM**

(51) **LOC (14) Cl.** **07-04**

We claim the ornamental design for a pastry beater, as shown and described.

(52) **U.S. Cl.**

USPC **D7/412**

(58) **Field of Classification Search**

DESCRIPTION

USPC D7/376, 377, 378, 380, 383, 412
CPC A21C 1/02; A21C 1/06; A21C 1/14; A21C 1/1405; A21C 3/04; A47J 43/1037; A47J 43/046; A47J 43/1068; A47J 43/042; A47J 43/07; A47J 43/0711; A47J 43/105; A47J 43/127; A47J 43/0716; A47J 43/044; A47J 44/00; B01F 27/00; B01F 27/071; B01F 27/95; B01F 33/86

See application file for complete search history.

FIG. 1 is a top front perspective view of a pastry beater of the present disclosure;
FIG. 2 is a bottom rear perspective view of the pastry beater of FIG. 1;
FIG. 3 is a front elevational view of the pastry beater of FIG. 1;
FIG. 4 is a rear elevational view of the pastry beater of FIG. 1;
FIG. 5 is a first side elevational view of the pastry beater of FIG. 1;
FIG. 6 is a second side elevational view of the pastry beater of FIG. 1;
FIG. 7 is a top plan view of the pastry beater of FIG. 1; and, FIG. 8 is a bottom plan view of the pastry beater of FIG. 1. The broken lines depict portions of the article that form no part of the claimed design.

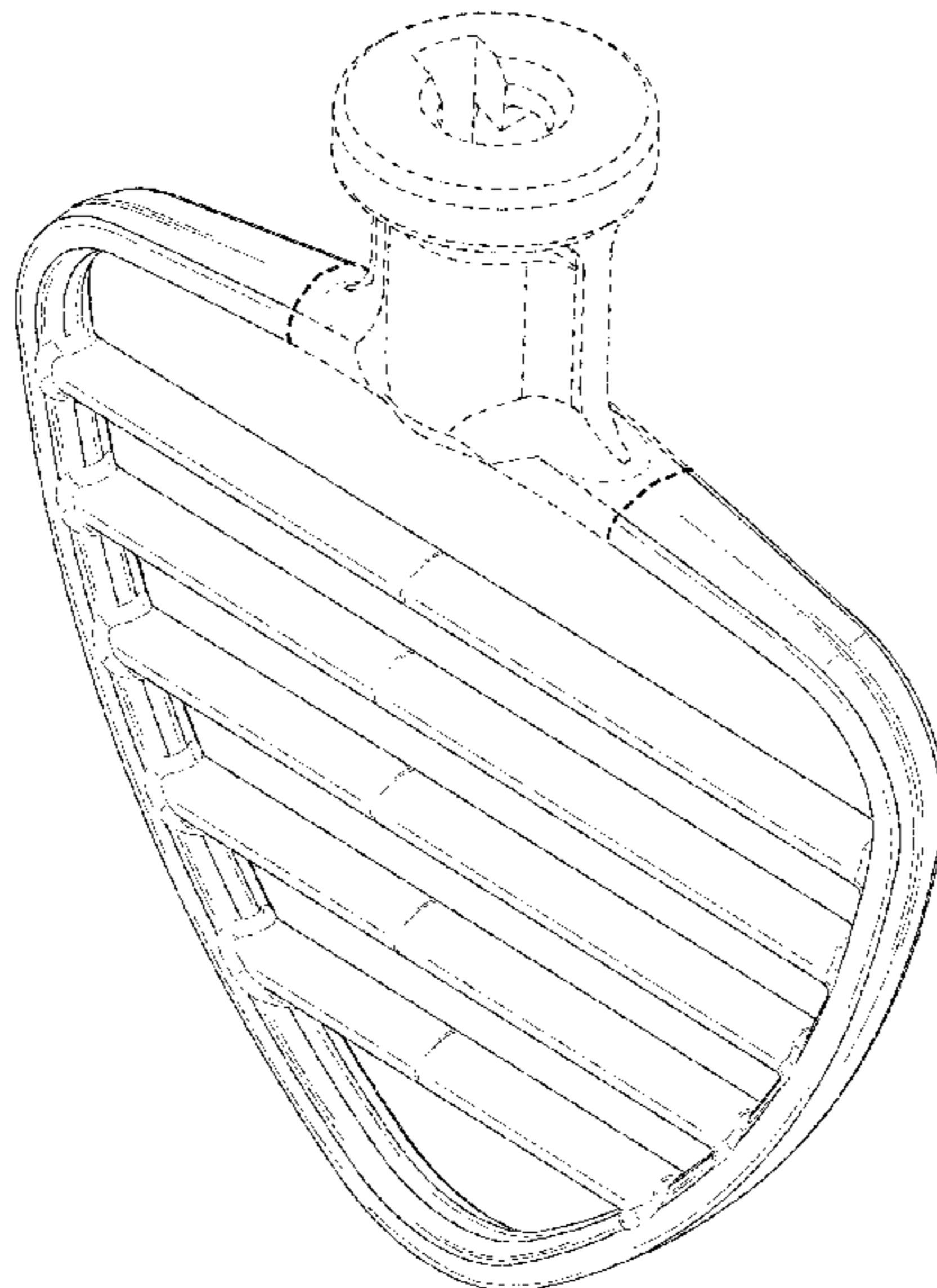
(56) **References Cited**

U.S. PATENT DOCUMENTS

176,775 A 5/1876 Croft
2,109,614 A * 3/1938 Dehuff A21C 1/1405
416/227 R
2,318,534 A * 5/1943 Seybert B01F 27/0541
416/88
2,616,674 A 11/1952 Polivka et al.

(Continued)

1 Claim, 8 Drawing Sheets



(56)

References Cited

U.S. PATENT DOCUMENTS

D488,956	S	4/2004	Boyle et al.	
D536,577	S *	2/2007	Henry	D7/412
D557,984	S *	12/2007	Kozlowski	D7/412
D664,807	S *	8/2012	Annis	D7/378
D684,425	S *	6/2013	Nordwall	D7/412
D696,071	S *	12/2013	Hammad	D7/378
8,721,167	B2	5/2014	Watano et al.	
9,526,256	B1	12/2016	Walters	
9,887,488	B2	2/2018	Lee	
D818,772	S *	5/2018	Raymond	D7/412
D848,215	S *	5/2019	Chen	D7/412
2006/0171251	A1 *	8/2006	Busick	B01F 27/11253 366/312
2006/0209629	A1 *	9/2006	Fallowes	B01F 27/091 366/312
2006/0268659	A1 *	11/2006	Kaas	A47J 43/0711 366/312
2012/0120755	A1 *	5/2012	Fallowes	B01F 27/13 366/312
2016/0353749	A1 *	12/2016	Walters	A47J 43/0711
2021/0031157	A1 *	2/2021	Walters	B01F 27/96

* cited by examiner

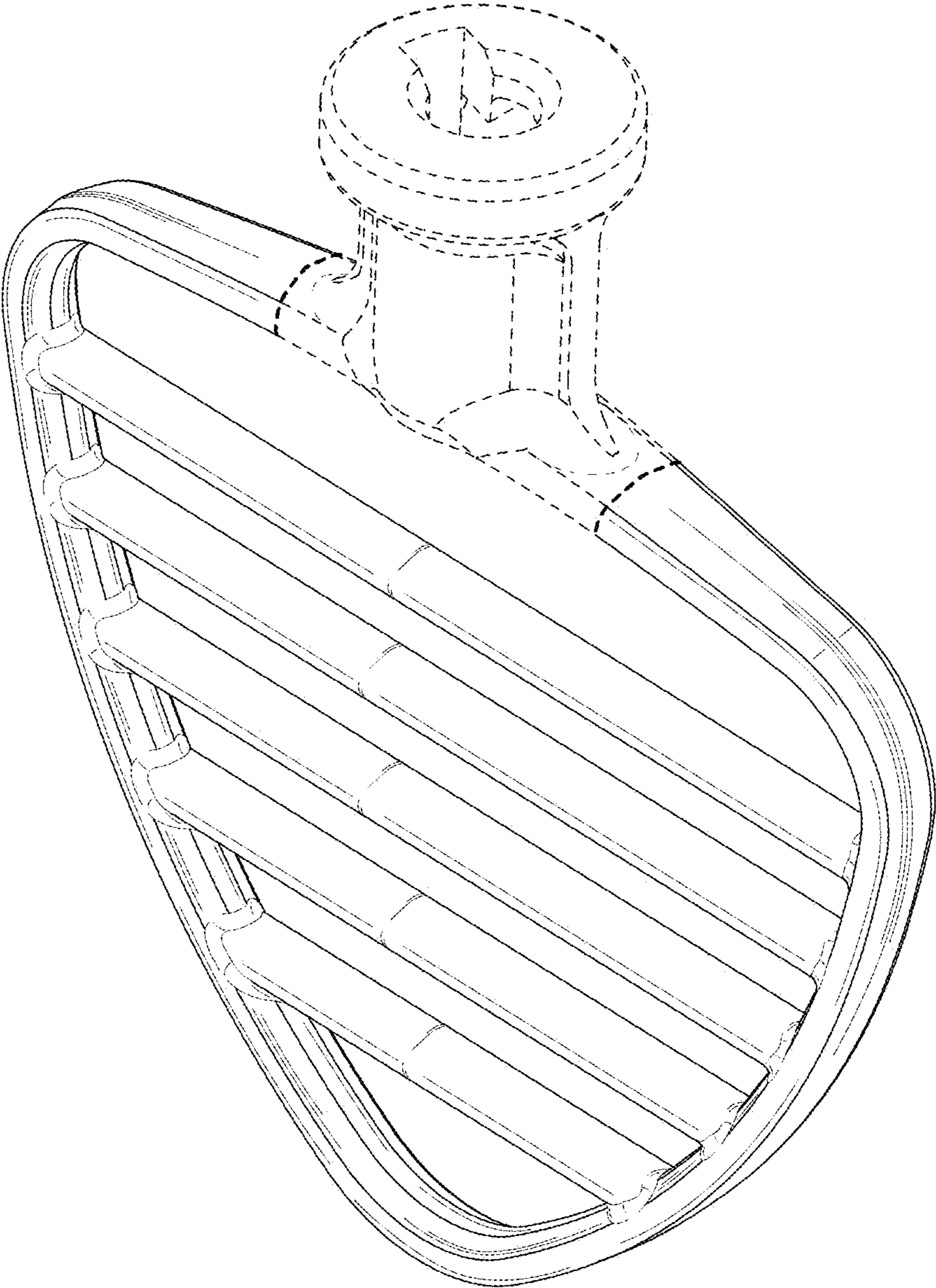


FIG. 1

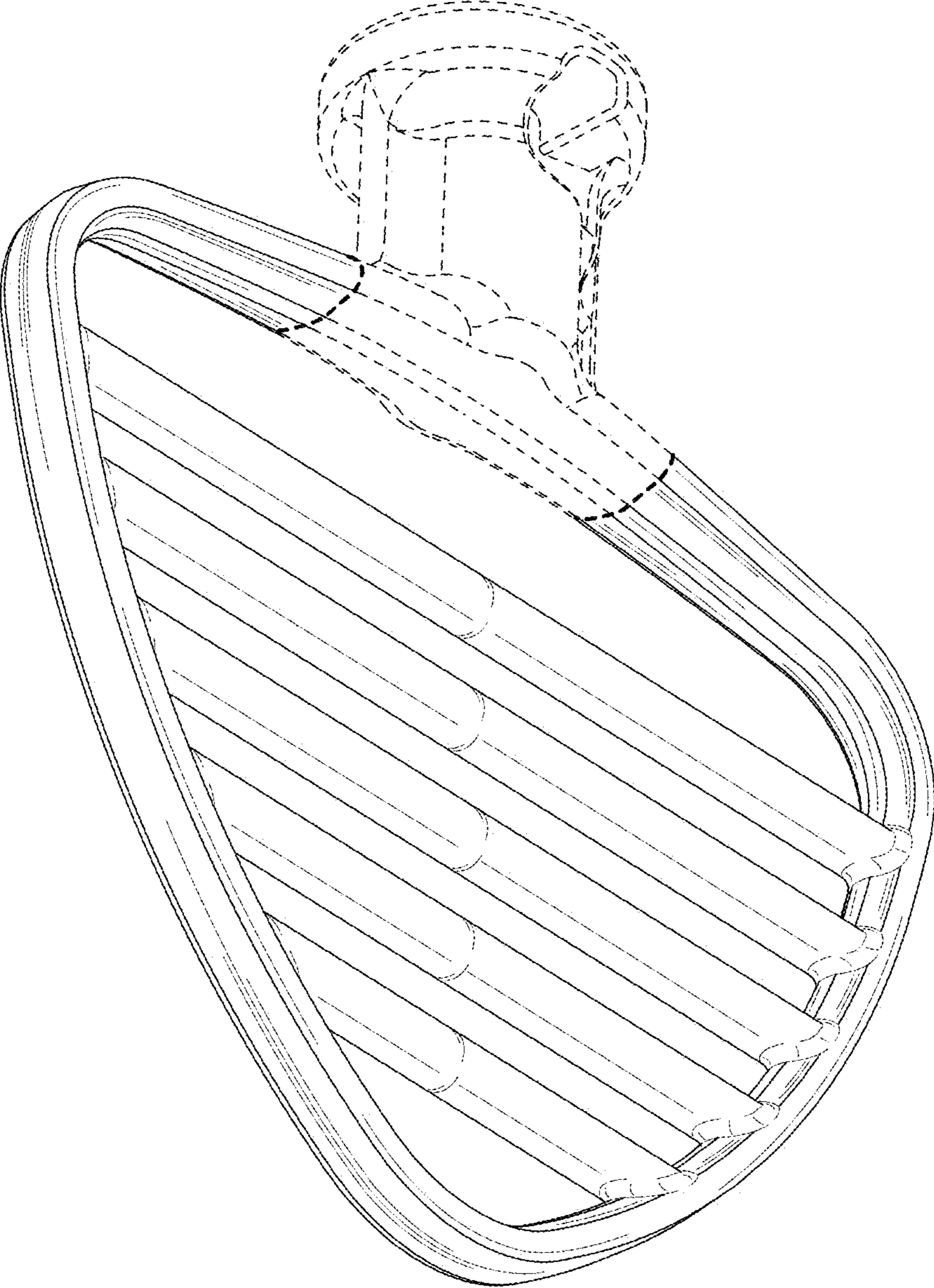


FIG. 2

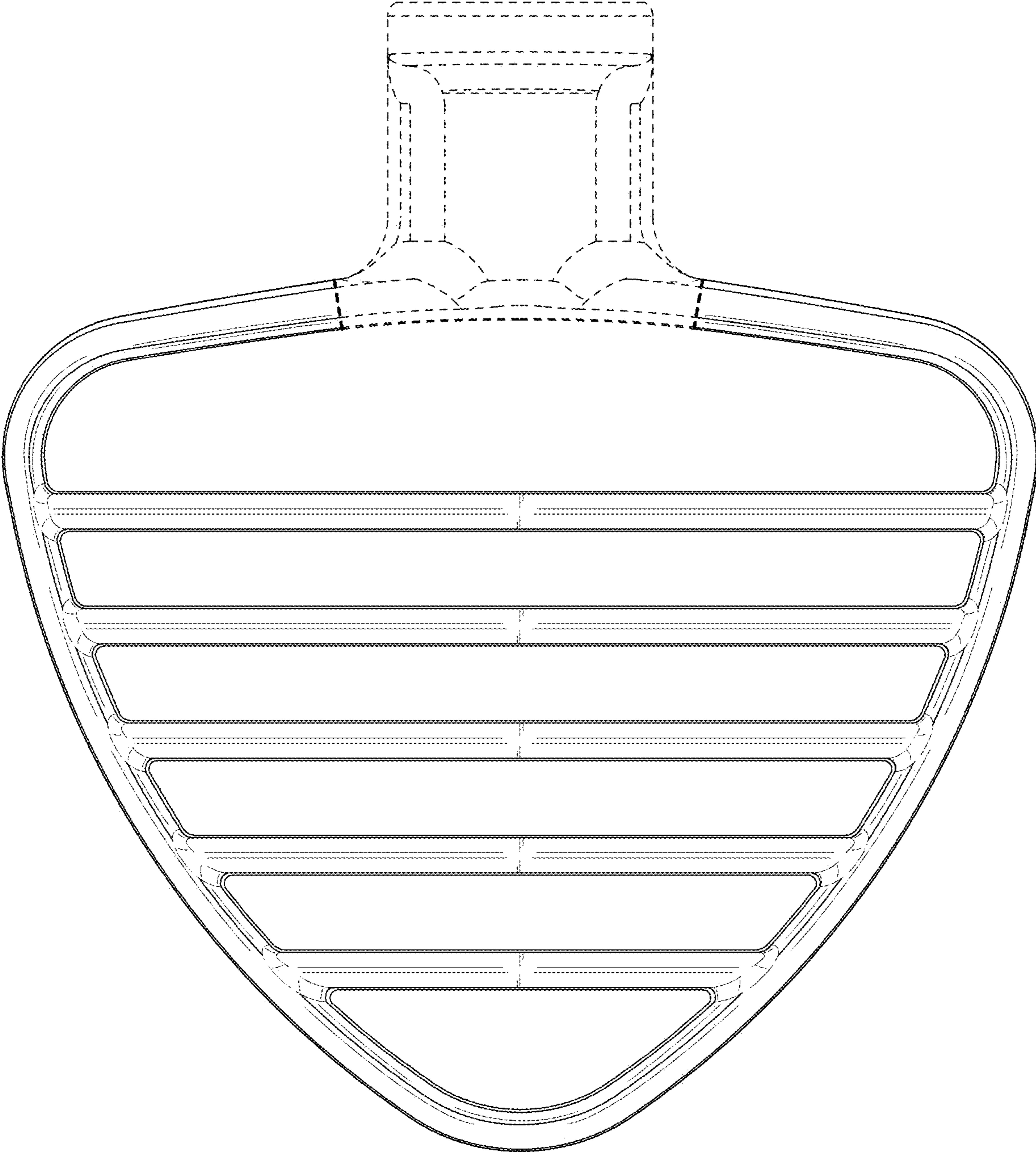


FIG. 3

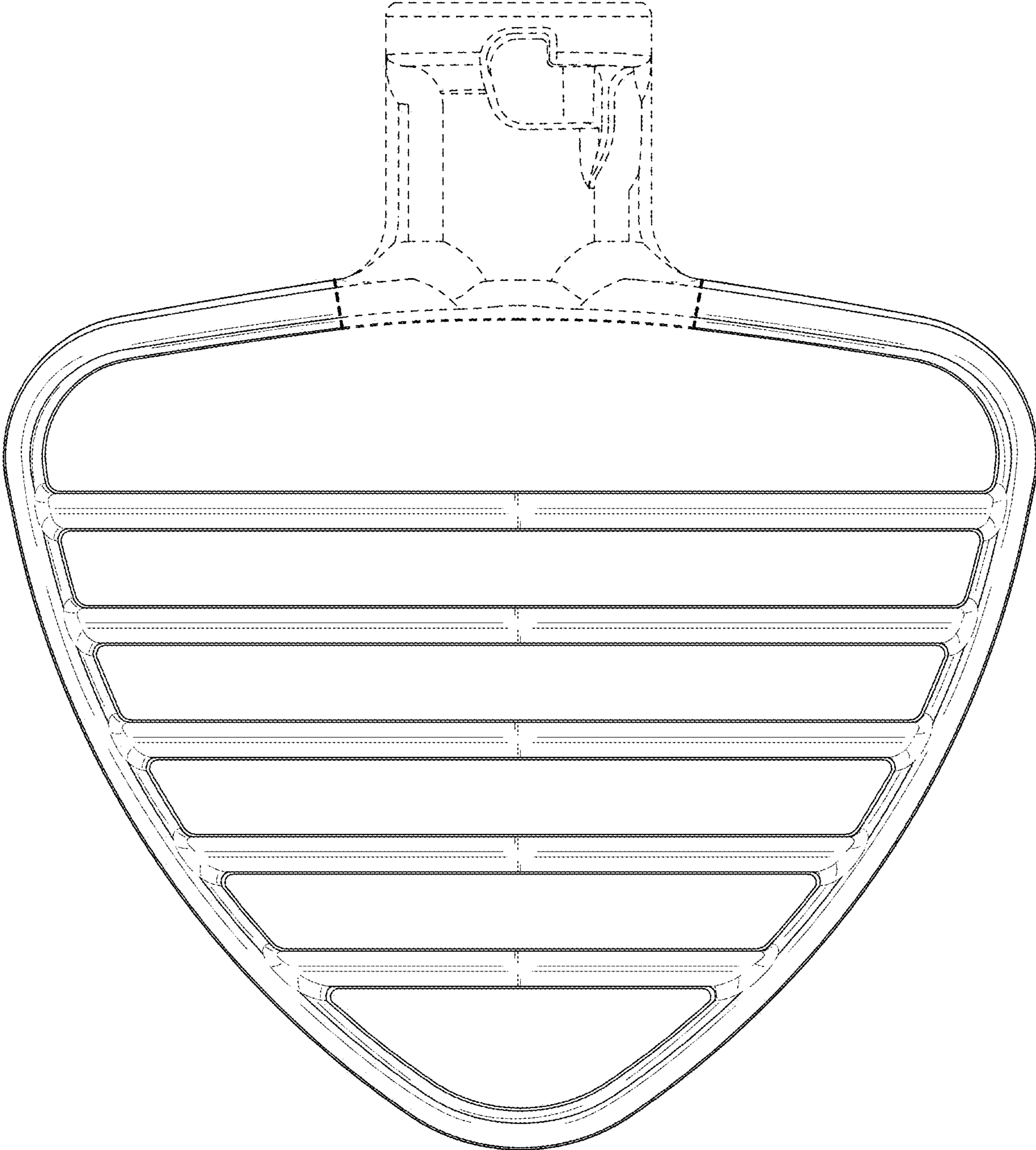


FIG. 4

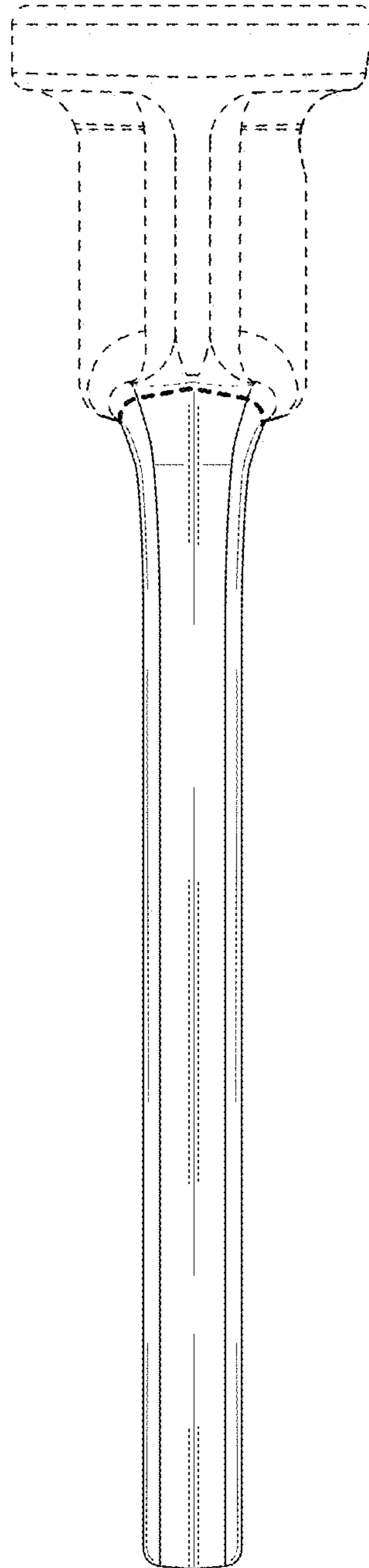


FIG. 5

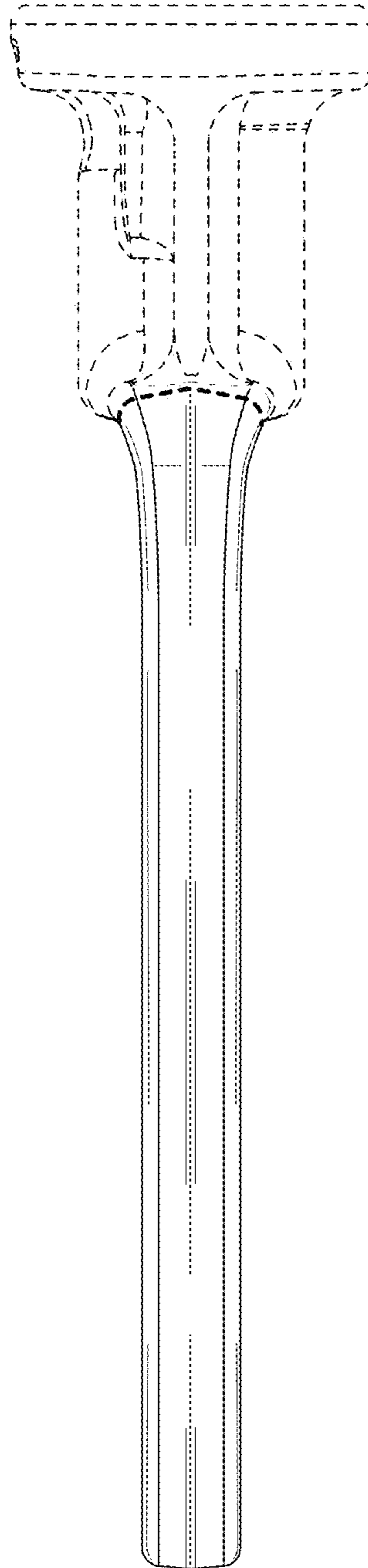


FIG. 6

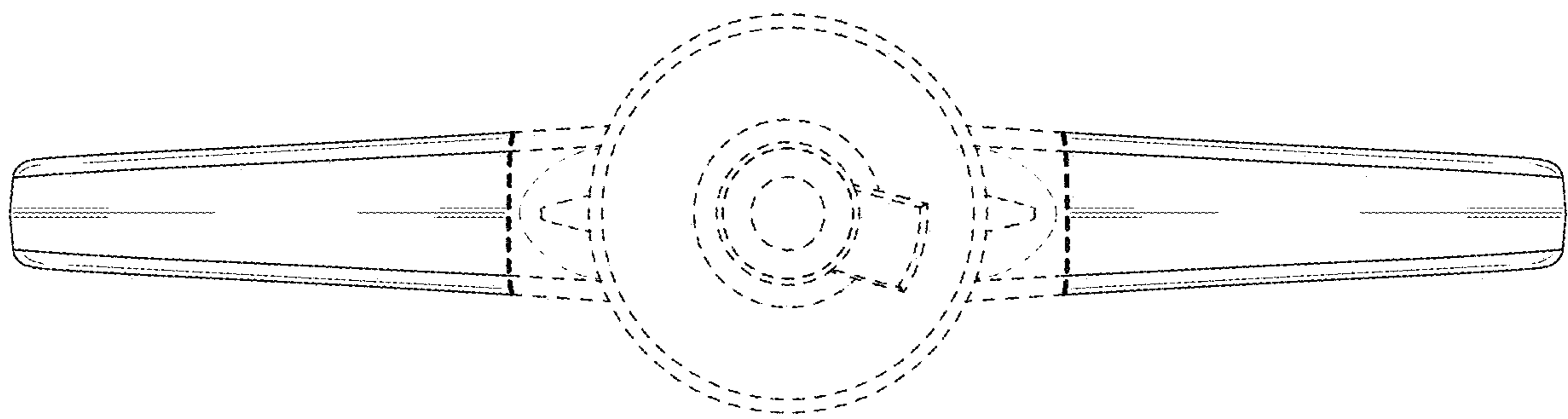


FIG. 7

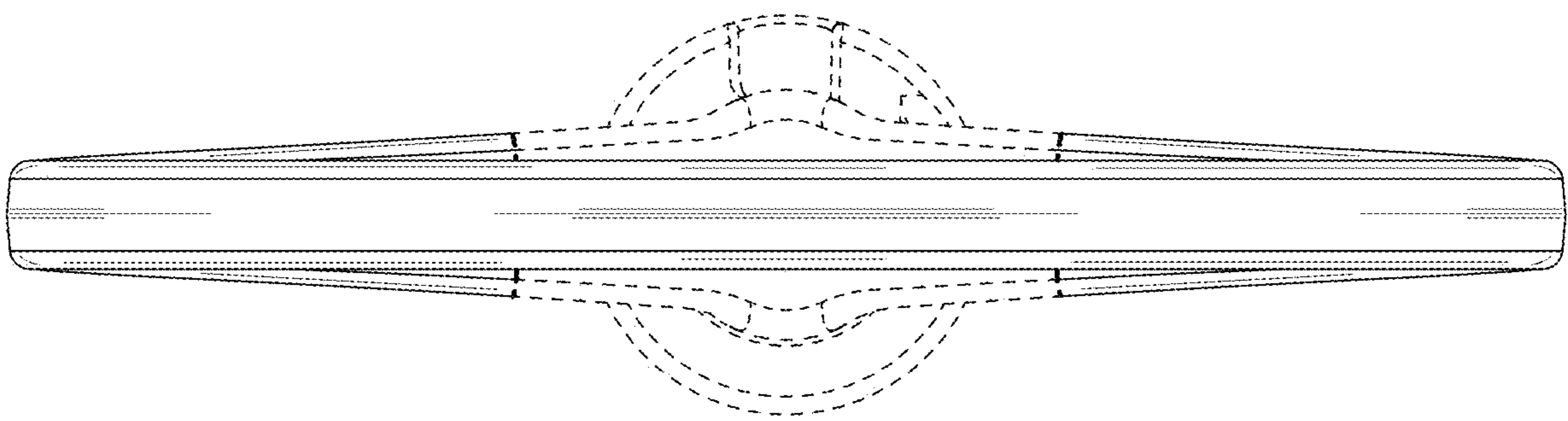


FIG. 8