



US00D980012S

(12) **United States Design Patent**  
**Parrish**

(10) **Patent No.:** **US D980,012 S**  
(45) **Date of Patent:** **\*\* Mar. 7, 2023**

- (54) **GRILL ASH SWEEP**
- (71) Applicant: **Adrenaline Barbecue Company, LLC**,  
Concord, NC (US)
- (72) Inventor: **Michael David Parrish**, Concord, NC  
(US)
- (73) Assignee: **Adrenaline Barbecue Company, LLC**,  
Concord, NC (US)

- D562,070 S \* 2/2008 Pryor ..... A47J 37/0786  
D7/407
- D814,014 S \* 3/2018 Wang ..... A47J 37/0786  
D23/420
- D867,874 S \* 11/2019 Guo ..... D9/430
- D913,739 S \* 3/2021 Joseph ..... A47J 37/0704  
D7/354
- D945,217 S \* 3/2022 Chen ..... A47J 37/0786  
D7/407

- (\*\*) Term: **15 Years**
- (21) Appl. No.: **29/771,124**
- (22) Filed: **Feb. 19, 2021**
- (51) **LOC (14) Cl.** ..... **07-02**
- (52) **U.S. Cl.**  
USPC ..... **D7/402**
- (58) **Field of Classification Search**  
USPC ..... D7/323, 327, 332-338, 354, 359, 387,  
D7/402-409; D23/332, 343; D11/40, 63,  
D11/67, 79, 84  
CPC .... A47J 37/07; A47J 37/0704; A47J 37/0713;  
A47J 37/0718; A47J 37/0727; A47J  
37/0763; A47J 37/0772; A47J 37/0786;  
A47J 37/0795; A47J 2037/0777; A47J  
2037/0795; F24B 15/007  
See application file for complete search history.

- (56) **References Cited**  
U.S. PATENT DOCUMENTS  
4,416,248 A \* 11/1983 Schlosser ..... A47J 37/0786  
126/25 R  
RE33,091 E \* 10/1989 Schlosser ..... A47J 37/0786  
126/25 R  
5,036,832 A \* 8/1991 Schlosser ..... A47J 37/0704  
D7/334  
D369,284 S \* 4/1996 Bird ..... D7/402  
6,318,356 B1 \* 11/2001 Stephen ..... A47J 37/0786  
126/25 R

**OTHER PUBLICATIONS**

Weber 22-1\_2-Inch One-Touch Cleaning System Kit for Grills, Amazon, [online], [site visited Oct. 21, 2022], Available from internet URL: <https://www.amazon.com/Weber-7444-2-Inch-One-Touch-Cleaning/dp/B005LVAZ3A> (Year: 2022).\*

\* cited by examiner

*Primary Examiner* — Mary Ann Calabrese  
*Assistant Examiner* — Natalya M Rapundalo  
(74) *Attorney, Agent, or Firm* — Schwartz Law Firm, P.C.

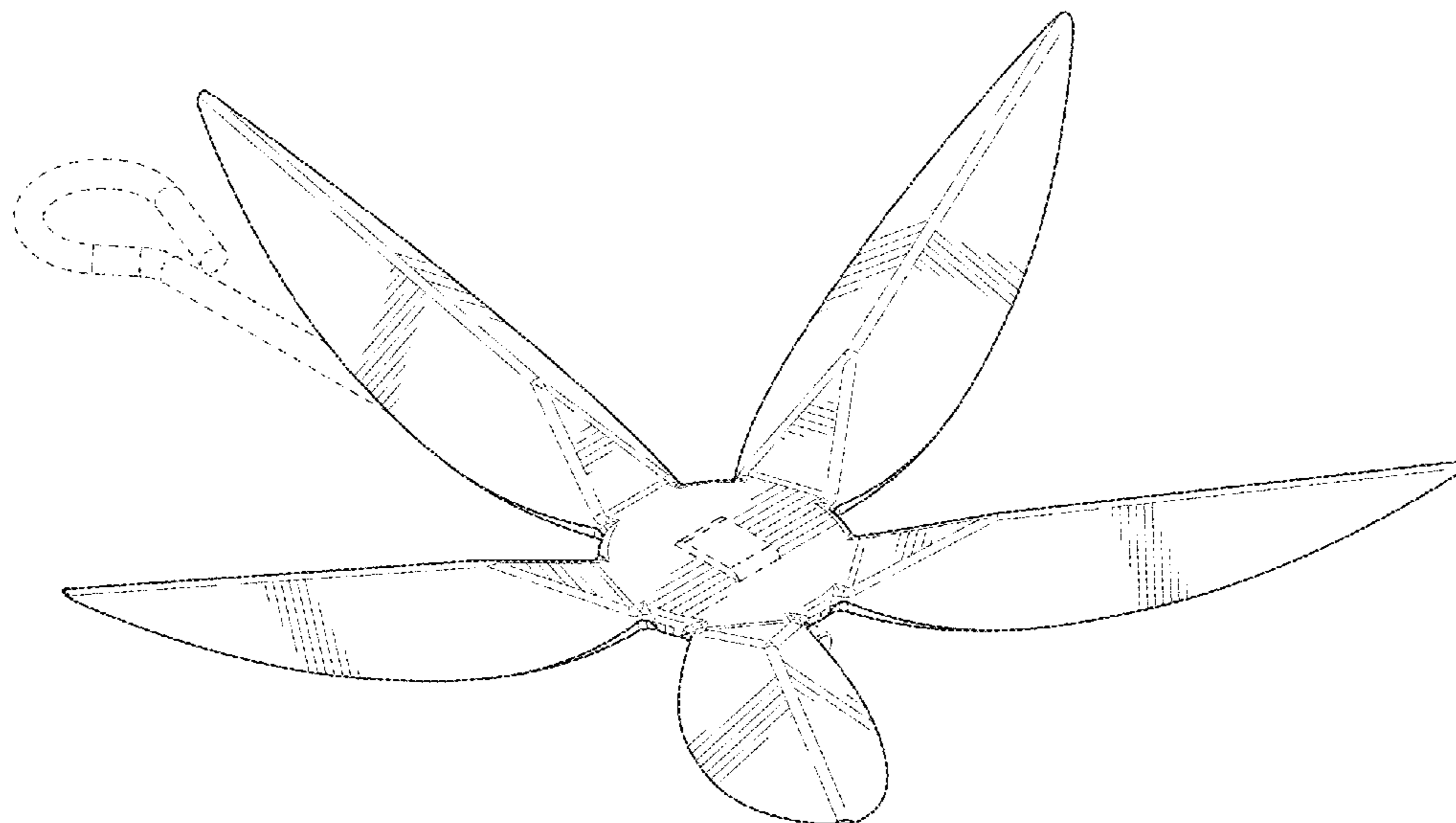
(57) **CLAIM**

I claim the ornamental design for a grill ash sweep, as shown and described.

**DESCRIPTION**

FIG. 1 is a top perspective view of the grill ash sweep shown in an environment of use, showing my new design; FIG. 2 is a bottom perspective view of the grill ash sweep shown in an environment of use; FIG. 3 is a top perspective view of the grill ash sweep; FIG. 4 is a top view of the grill ash sweep; FIG. 5 is a first side view of the grill ash sweep; and, FIG. 6 is a second side view of the grill ash sweep. In FIGS. 1 and 2, the broken lines representing a grill depict environment and form no part of the claimed design. All other broken lines in the drawings show portions of the grill ash sweep and form no part of the claimed design.

**1 Claim, 5 Drawing Sheets**



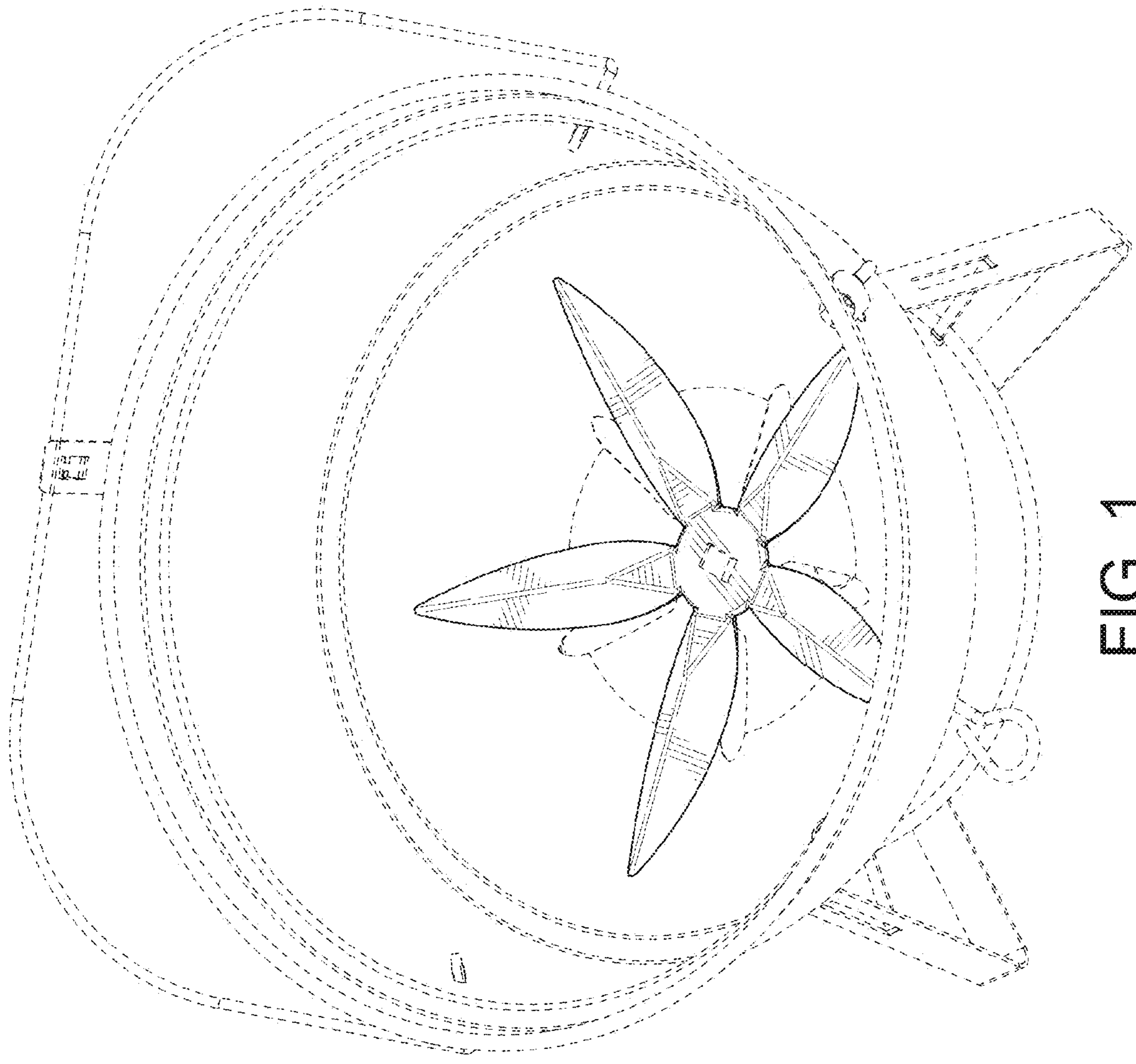


FIG. 1

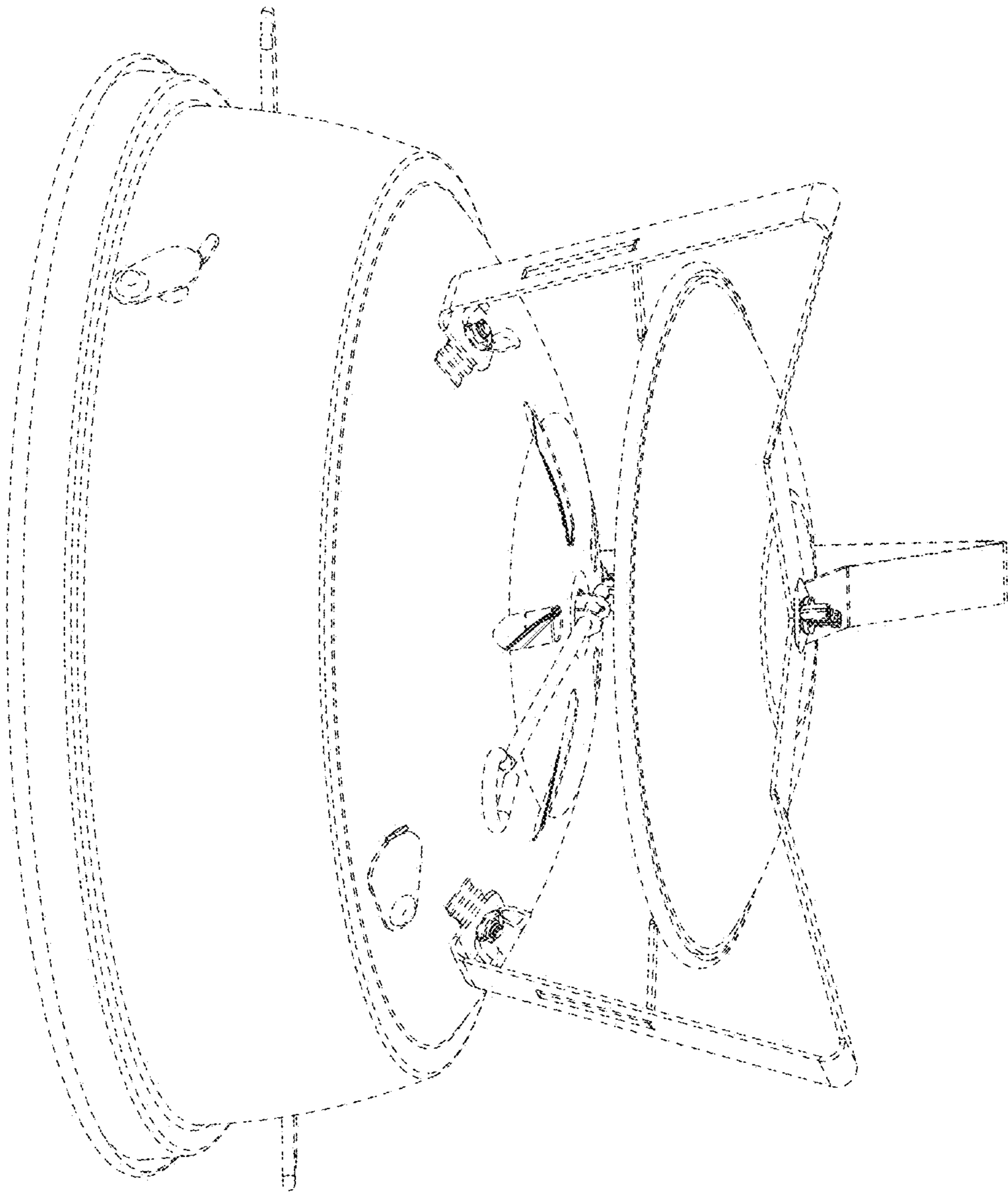


FIG. 2

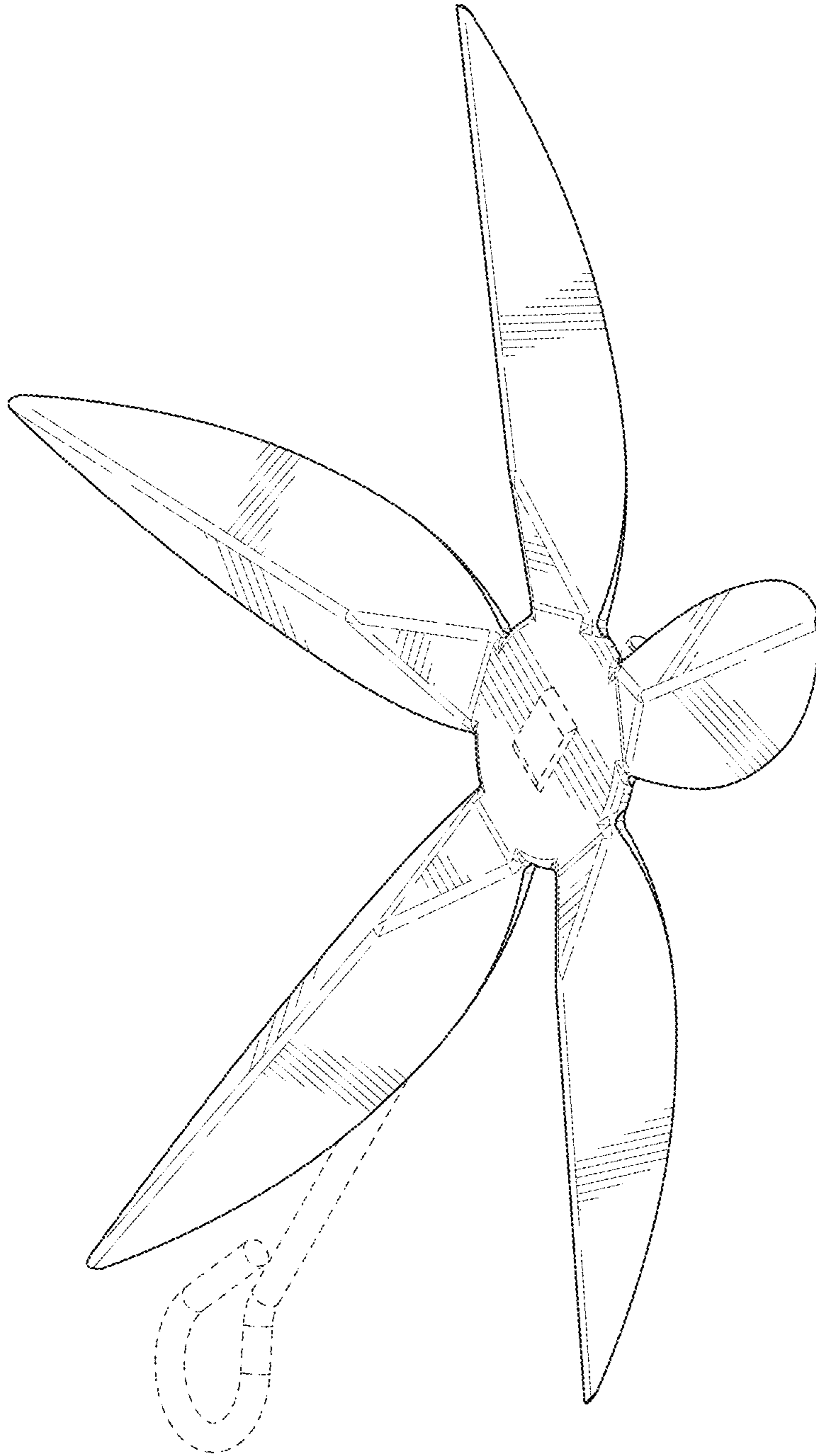


FIG. 3

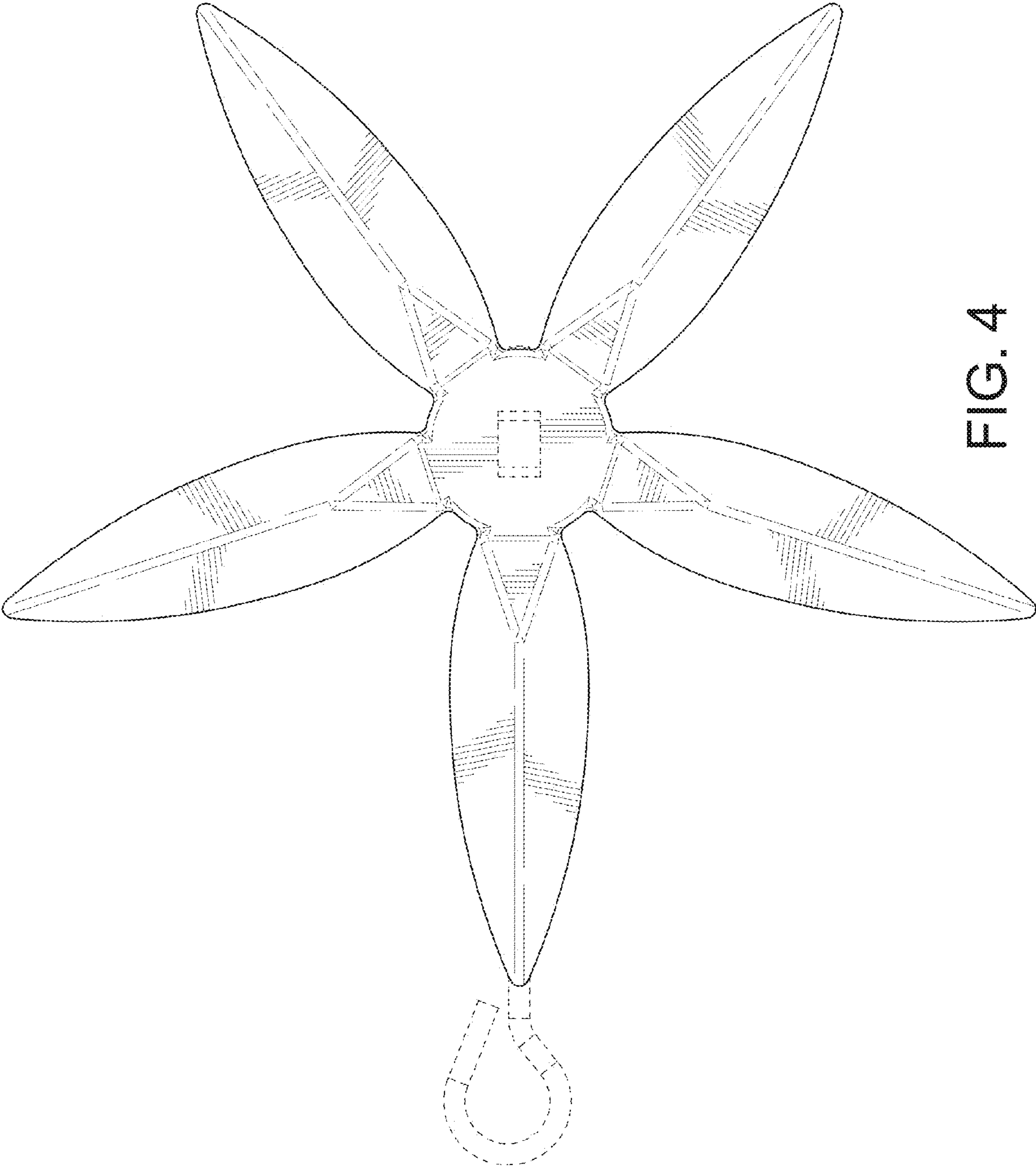


FIG. 4

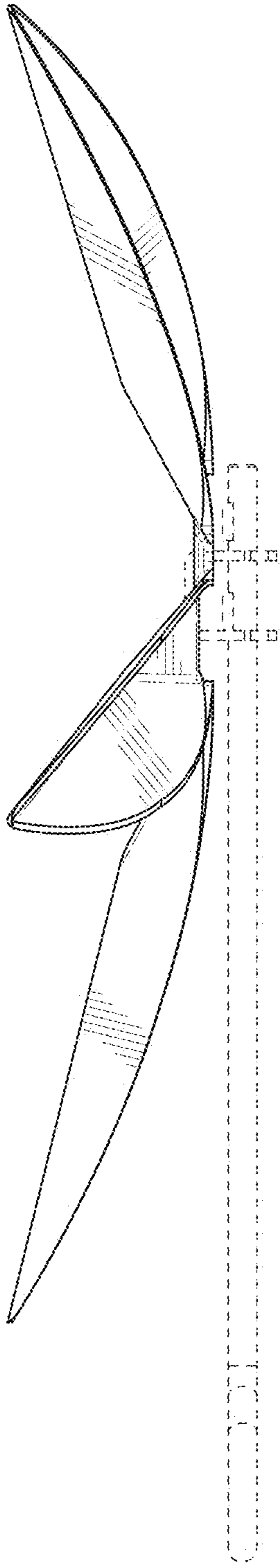


FIG. 5

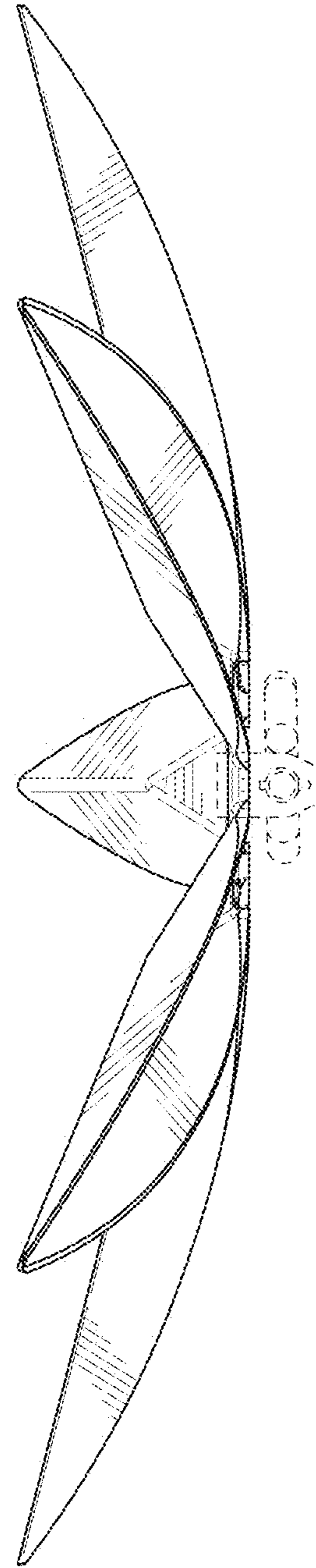


FIG. 6