



US00D980010S

(12) **United States Design Patent**
Grob

(10) **Patent No.:** **US D980,010 S**

(45) **Date of Patent:** **** Mar. 7, 2023**

(54) **CONTAINER FOR COFFEE MAKER**

(71) Applicant: **Jura Elektroapparate AG,**
Niederbuchsiten (CH)

(72) Inventor: **Christoph Grob,** Zofingen (CH)

(73) Assignee: **Jura Elektroapparte AG,**
Niederbuchsiten (CH)

(**) Term: **15 Years**

(21) Appl. No.: **35/511,805**

(22) Filed: **Apr. 21, 2021**

(80) **Hague Agreement Data**

Int. Filing Date: **Apr. 21, 2021**

Int. Reg. No.: **DM/213926**

Int. Reg. Date: **Apr. 21, 2021**

Int. Reg. Pub. Date: **May 7, 2021**

(51) **LOC (14) Cl.** **07-06**

(52) **U.S. Cl.**
USPC **D7/397**

(58) **Field of Classification Search**
USPC D7/300, 319, 376, 373, 379, 384, 392.1,
D7/397, 400, 511, 515
CPC B67D 1/0084; B67D 1/0041
See application file for complete search history.

(56) **References Cited**

U.S. PATENT DOCUMENTS

D259,232 S * 5/1981 Tarozzi D7/313
D389,002 S * 1/1998 Demore D7/300

D400,391 S * 11/1998 Hulley D7/322
D469,011 S * 1/2003 Miller D7/601
7,328,816 B2 * 2/2008 Shannon B67D 3/0061
220/592.16
D613,609 S * 4/2010 Pok D9/575
D731,224 S * 6/2015 Melzer D7/397
D747,933 S * 1/2016 Kassouni D7/629
D784,776 S * 4/2017 Kassouni D7/629

FOREIGN PATENT DOCUMENTS

CA 203419 * 3/2022
JP D1706537 * 2/2022

* cited by examiner

Primary Examiner — S. Bryan Reinholdt, Jr.

(74) *Attorney, Agent, or Firm* — Volpe Koenig

(57) **CLAIM**

The ornamental design for a container for coffee maker, as shown and described.

DESCRIPTION

1. Container for coffee maker

1.1 : Perspective

1.2 : Left

1.3 : Right

1.4 : Front

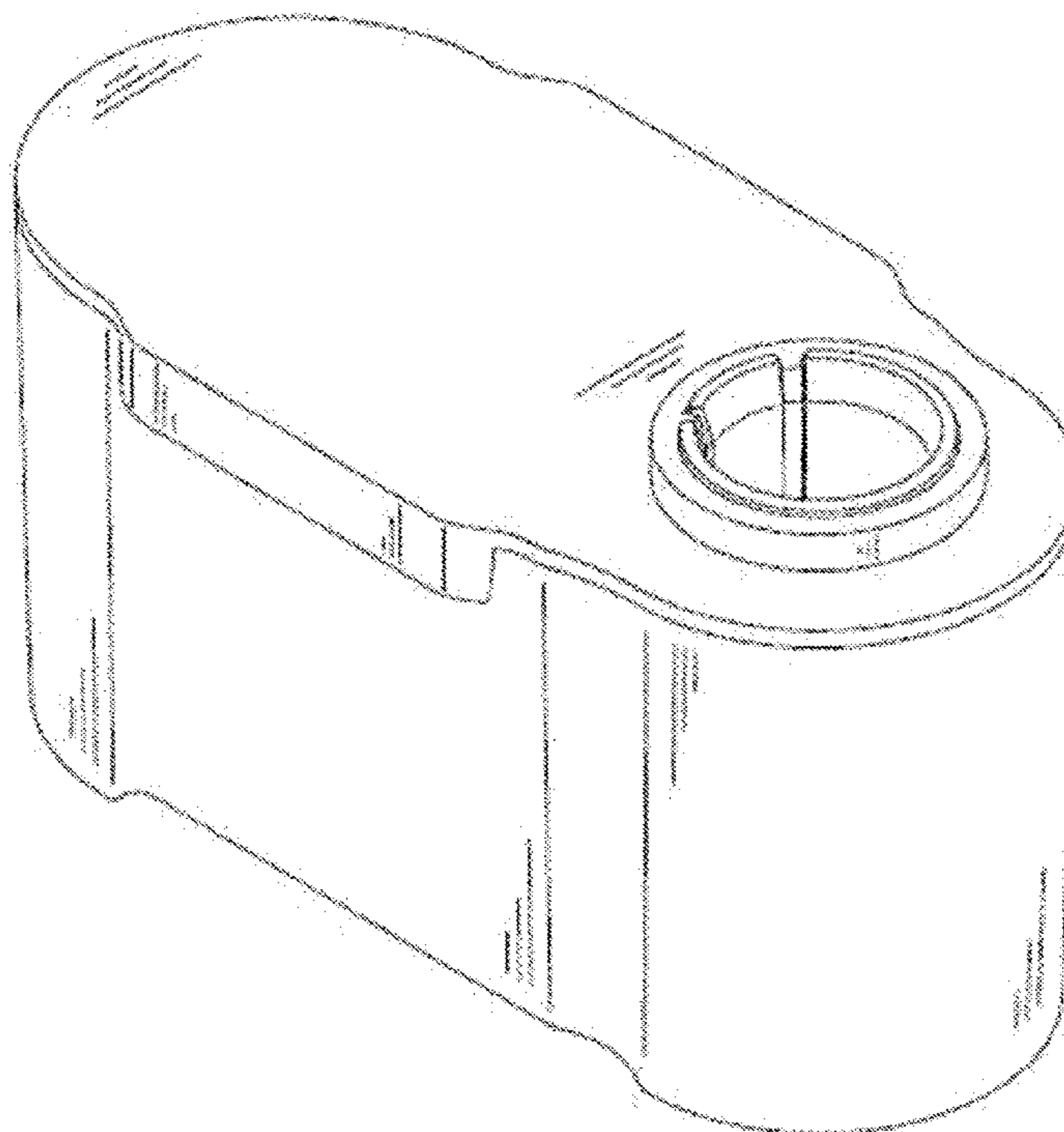
1.5 : Back

1.6 : Top

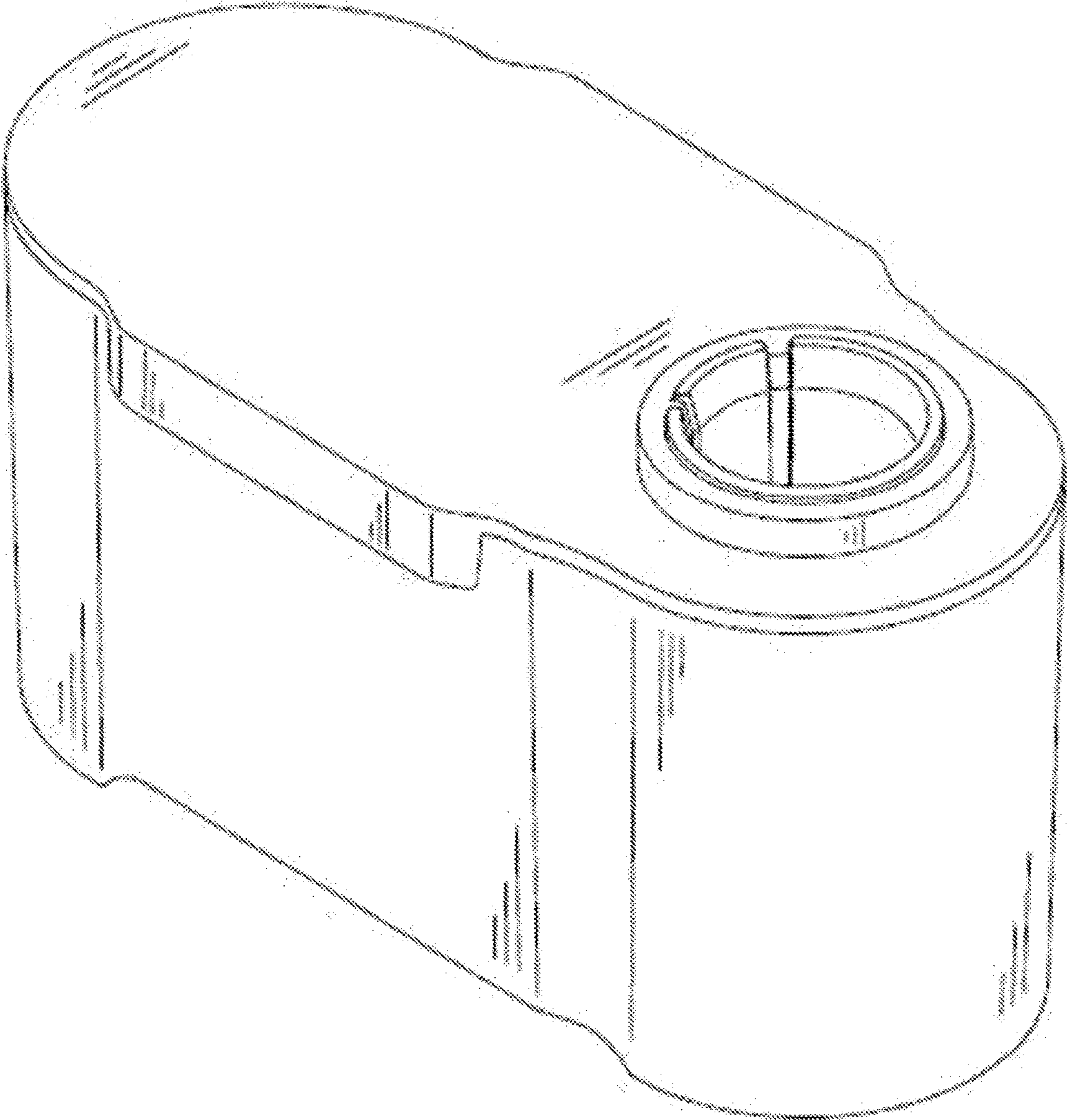
1.7 : Bottom

The broken lines depict portions of the container for coffee maker that form no part of the claim.

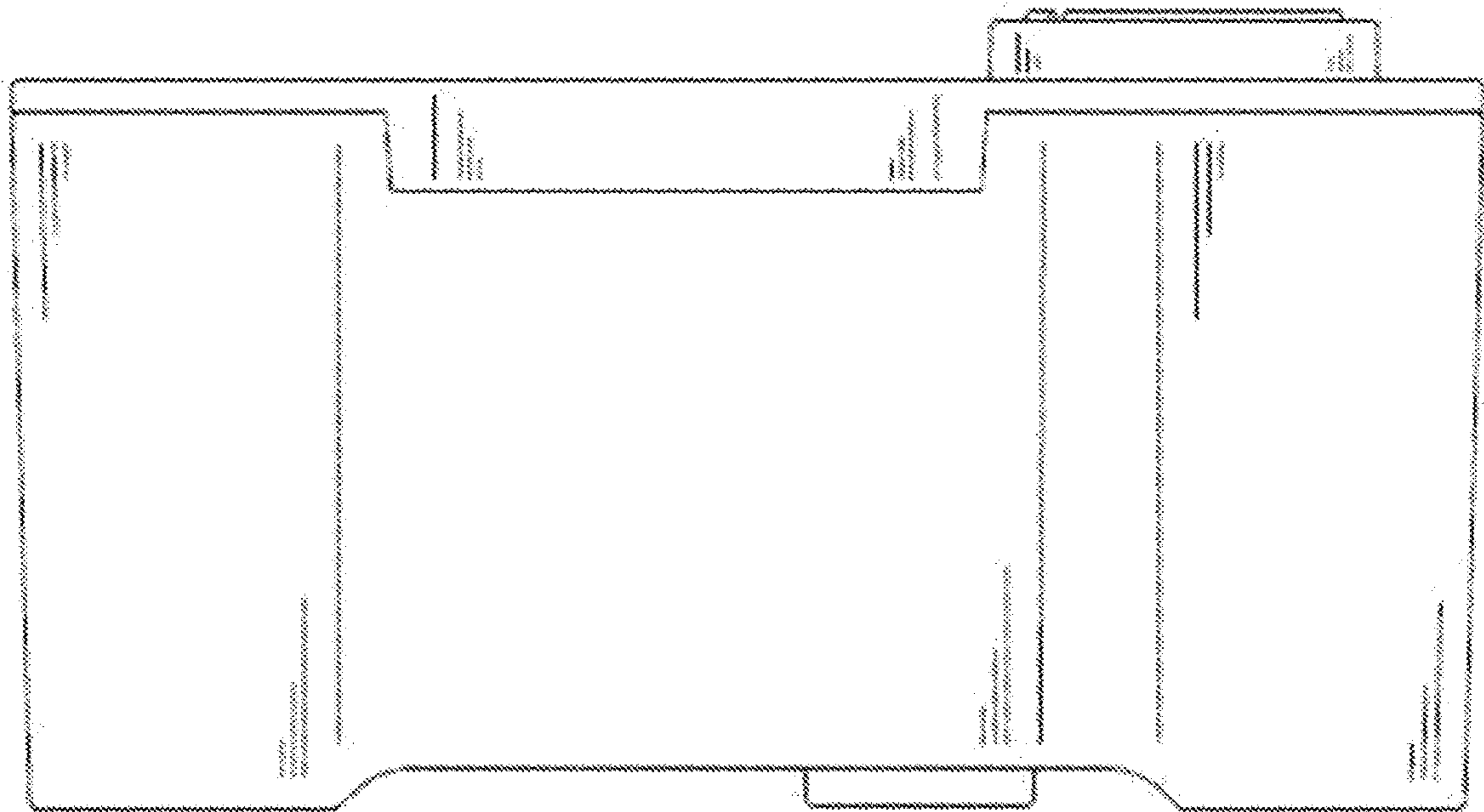
1 Claim, 7 Drawing Sheets



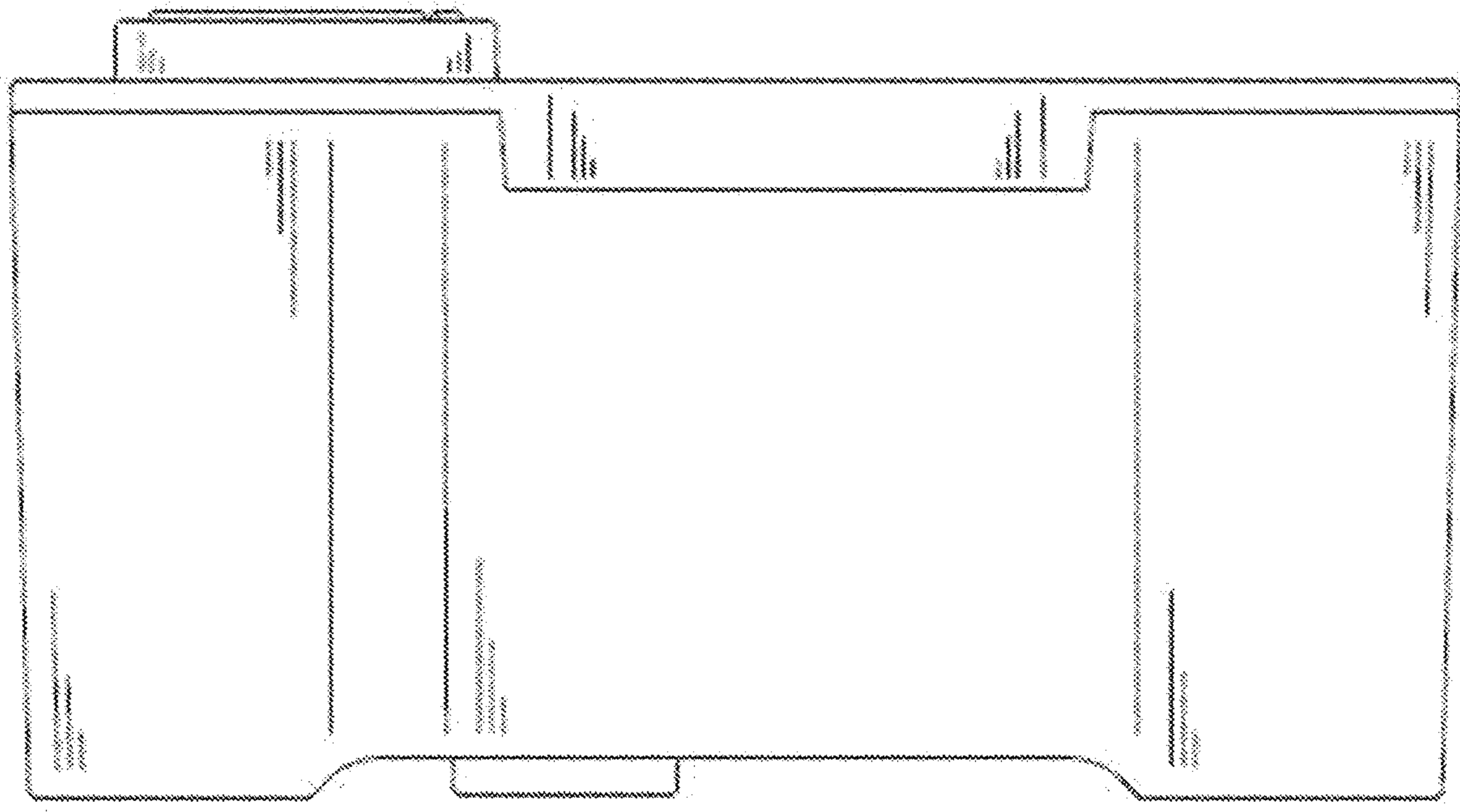
1.1



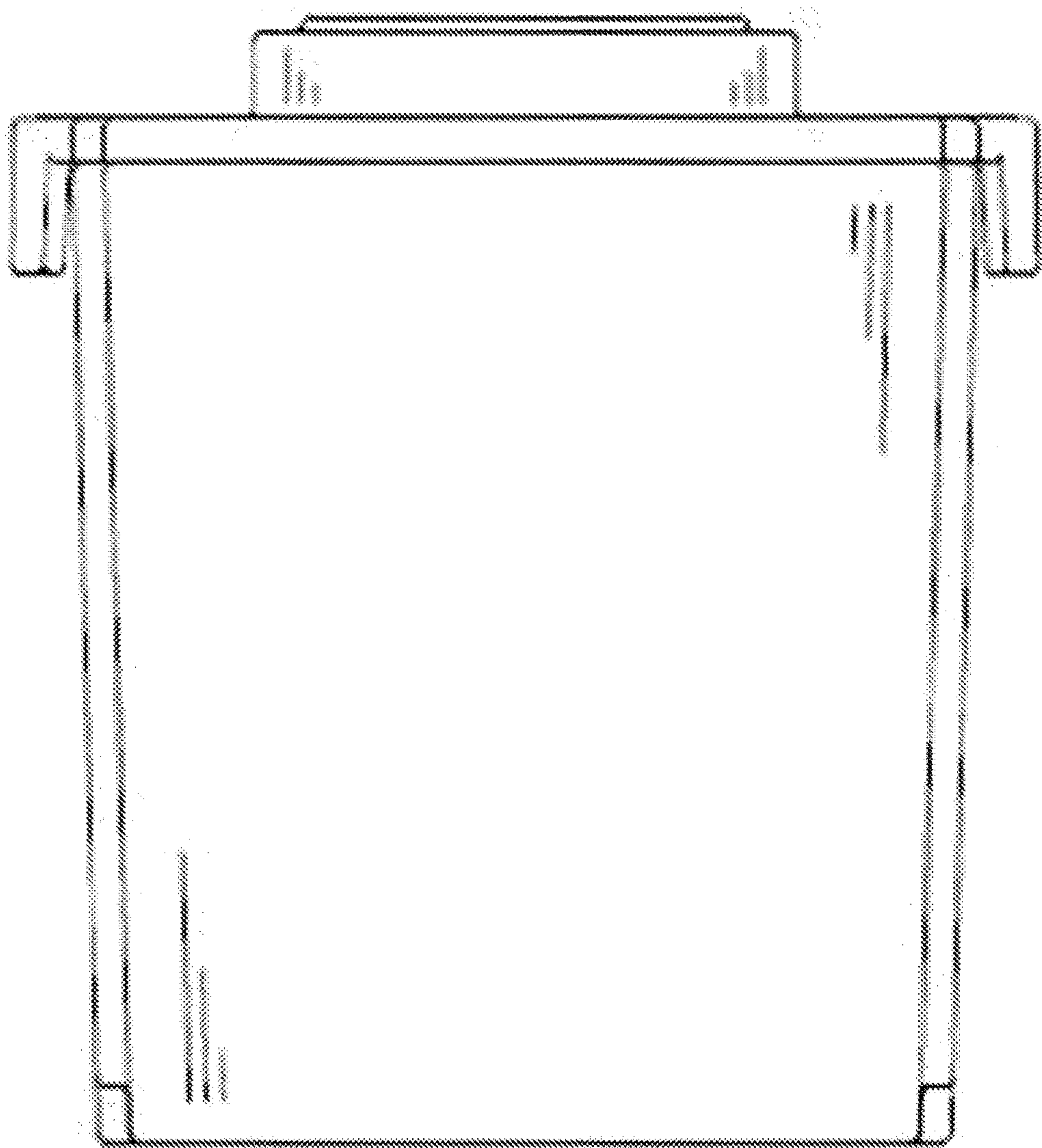
1.2



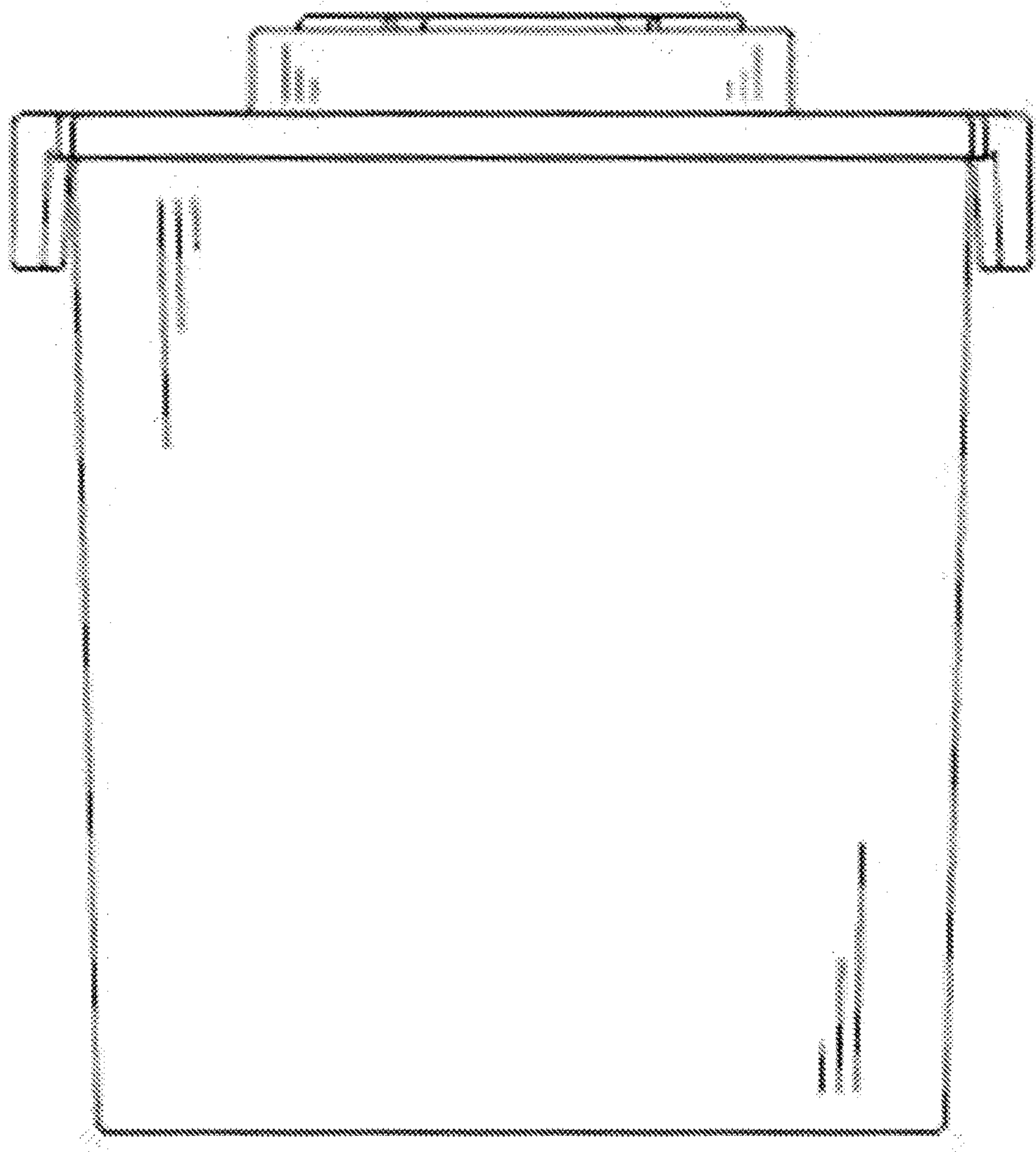
1.3



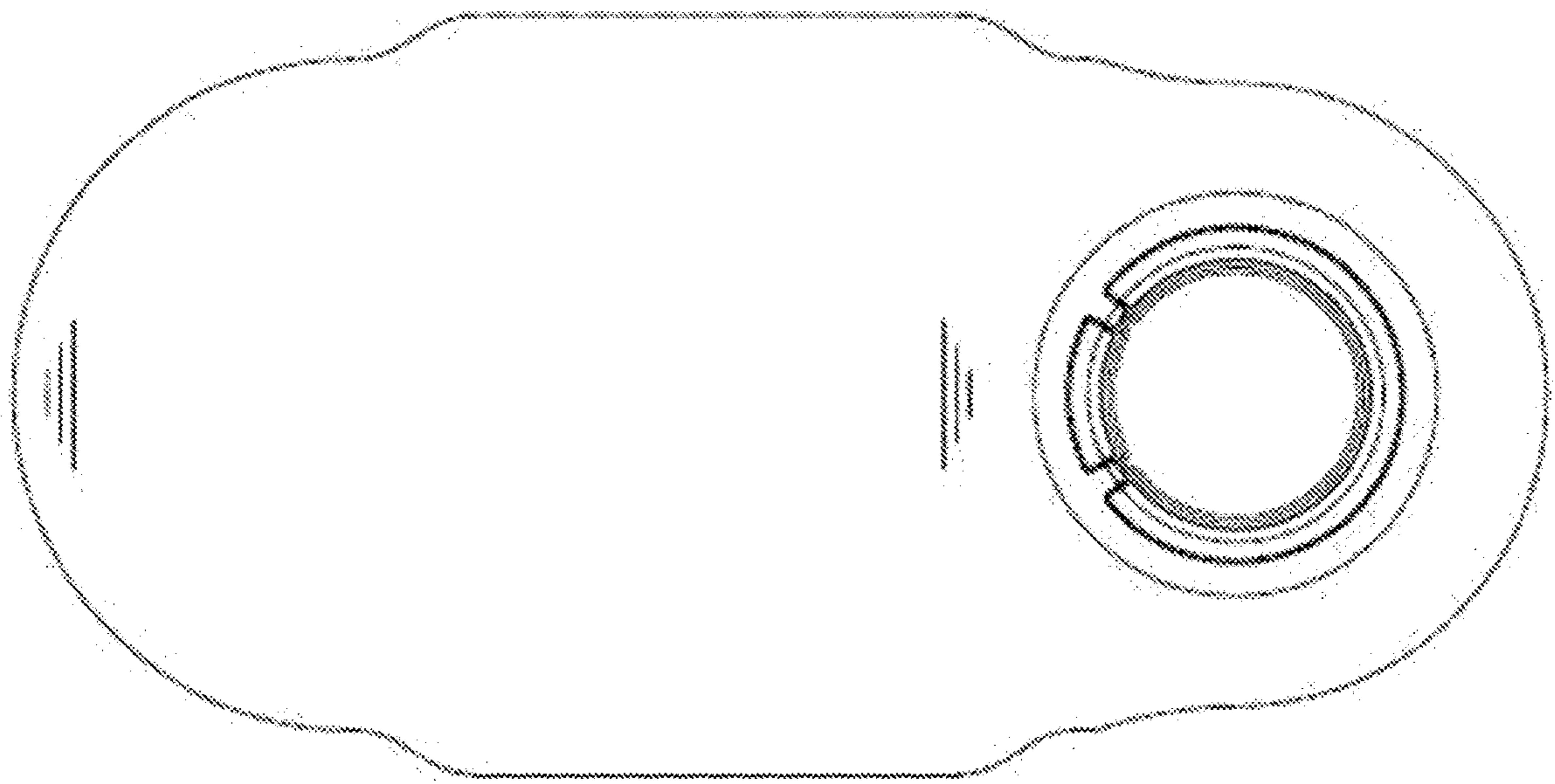
1.4



1.5



1.6



1.7

