



US00D980009S

(12) **United States Design Patent**
Kutlug

(10) **Patent No.:** **US D980,009 S**
(45) **Date of Patent:** **** Mar. 7, 2023**

(54) **WATER BOTTLE NOZZLE LID**
(71) Applicant: **Adam Kutlug**, Irvine, CA (US)
(72) Inventor: **Adam Kutlug**, Irvine, CA (US)
(**) Term: **15 Years**
(21) Appl. No.: **29/826,030**

D812,966 S * 3/2018 Murosky D9/449
D835,938 S 12/2018 Zou et al.
D855,120 S 7/2019 Millar et al.
D857,446 S 8/2019 Bell et al.
D862,985 S 10/2019 Backs
D867,812 S 11/2019 Lane et al.
D868,534 S 12/2019 Lin
D870,508 S 12/2019 Palkon
D870,509 S 12/2019 Bo

(Continued)

(22) Filed: **Feb. 9, 2022**
(51) **LOC (14) Cl.** **07-02**
(52) **U.S. Cl.**
USPC **D7/392.1**
(58) **Field of Classification Search**
USPC D7/312, 313, 316, 387, 388, 391, 392,
D7/392.1, 393, 396.1, 396.2, 397, 398,
D7/400; D9/434-442, 446, 447, 451,
D9/452, 453, 454
CPC B65D 47/2031; B65D 2251/0015; B65D
2251/0071; B65D 2251/20; B65D
85/8046; B65D 43/02; B65D 47/0866;
A61J 1/2096; A61J 1/2051; A61J 1/14;
A47J 31/0673; A47G 19/2272; A45F 3/16
See application file for complete search history.

OTHER PUBLICATIONS

The Iceflow Flip Straw Water Bottle Lid: Announced (Jun. 3, 2022; online). Site Visited (Sep. 7, 2022). Available from Internet URL: https://www.stanley1913.com/products/iceflow-replacement-lid-17-oz-22-oz.*

(Continued)

Primary Examiner — Catherine S Posthauer
(74) *Attorney, Agent, or Firm* — Alexander Chen, Esq.

(57) **CLAIM**

The ornamental design for a water bottle nozzle lid, as shown and described.

DESCRIPTION

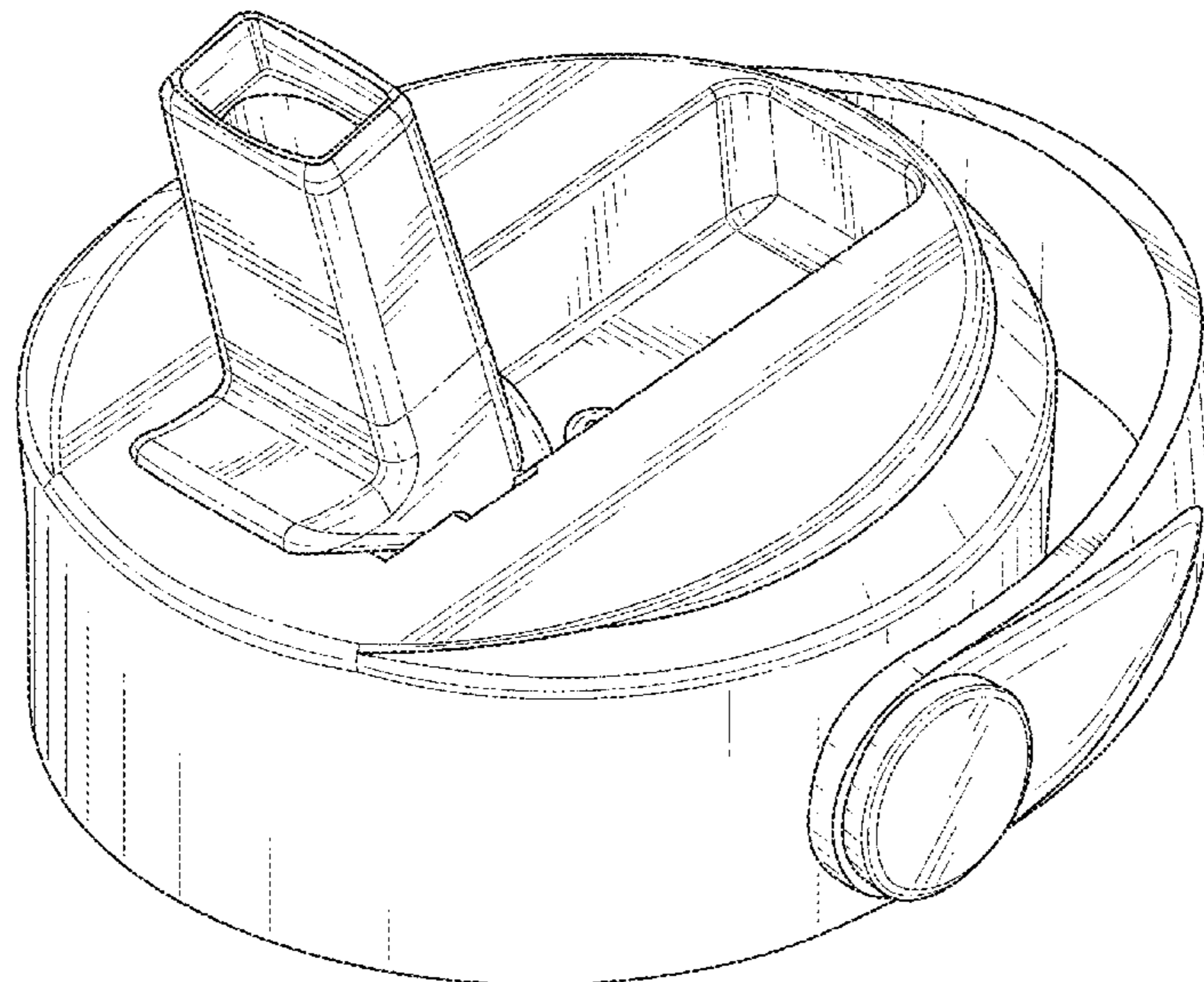
FIG. 1 is a top perspective view of a water bottle nozzle lid, showing my new design, showing the nozzle in a closed position of use;
FIG. 2 is a front view thereof;
FIG. 3 is a side view thereof;
FIG. 4 is another side view thereof, showing the nozzle in an open position of use;
FIG. 5 is a top plan view thereof, showing the nozzle in a closed position of use; and,
FIG. 6 is a top perspective view thereof, showing the nozzle in an open position of use.
The broken lines in the drawings depict portions of the article that form no part of the claimed design.

(56) **References Cited**

U.S. PATENT DOCUMENTS

D547,607 S 7/2007 Forsman
D591,108 S 4/2009 Pesach et al.
D596,459 S 7/2009 Ghiassi
D629,644 S 12/2010 Zhuang et al.
D651,847 S * 1/2012 Gilbert D7/392.1
D704,986 S 5/2014 Manies
D720,218 S 12/2014 Hutson et al.
D734,151 S 7/2015 Herbst
D768,439 S 10/2016 Shin et al.
D786,012 S 5/2017 Hein et al.
D799,320 S 10/2017 Goodwin et al.
9,776,777 B2 10/2017 Gorbald
D806,468 S 1/2018 Goodwin et al.
D811,162 S 2/2018 Rane et al.

1 Claim, 6 Drawing Sheets



(56)

References Cited

U.S. PATENT DOCUMENTS

D871,144 S 12/2019 Zhang
 D872,522 S * 1/2020 Diener D9/449
 D872,524 S 1/2020 Bo
 D886,517 S * 6/2020 Bo D7/392.1
 D887,776 S * 6/2020 Bo D7/392.1
 D892,556 S 8/2020 Wang et al.
 D892,558 S 8/2020 Wang et al.
 D893,953 S 8/2020 Tobias
 D896,573 S * 9/2020 Wu D7/392.1
 D896,574 S * 9/2020 Wang D9/450
 D897,760 S * 10/2020 Feng D9/453
 D897,761 S * 10/2020 Zhang D9/450
 D899,848 S * 10/2020 Zhang D9/450
 D900,538 S * 11/2020 Yao D7/392.1
 D900,539 S * 11/2020 Yao D7/392.1
 D903,405 S * 12/2020 Zhang D7/392.1
 D904,827 S 12/2020 Stanton
 D905,499 S * 12/2020 Zhang D9/450
 D906,042 S * 12/2020 Chen D9/450
 D910,376 S 2/2021 Lovelace
 D911,100 S * 2/2021 Chen D9/450
 D911,109 S 2/2021 Johnson
 D911,778 S 3/2021 Jacobsen
 D913,041 S 3/2021 Coleman et al.
 D921,433 S 6/2021 Gronkowski
 D921,434 S 6/2021 Chiaradia et al.

D922,819 S * 6/2021 Wang D9/450
 D923,394 S * 6/2021 Gu D7/392.1
 D923,408 S 6/2021 Hamilton
 D929,185 S 8/2021 Omdahl, II et al.
 D931,051 S 9/2021 Ames
 D931,060 S 9/2021 Volkoff et al.
 D931,687 S 9/2021 Volkoff et al.
 D938,778 S * 12/2021 Ge D9/450
 D939,278 S 12/2021 Vierck
 D939,279 S 12/2021 Vierck
 D939,280 S 12/2021 Vierck
 D939,281 S 12/2021 Kim et al.
 D939,888 S * 1/2022 Wang D7/392.1
 D940,501 S * 1/2022 Burga D7/392.1
 D944,053 S * 2/2022 Yao D7/392.1
 11,267,642 B2 3/2022 Vu
 2016/0318693 A1 11/2016 Hein et al.
 2017/0253395 A1 * 9/2017 Matthis B65D 47/0866
 2017/0297785 A1 * 10/2017 Maruyama B65D 41/04

OTHER PUBLICATIONS

Hydroflask Wide Mouth Flex Straw Cap: Announced (Apr. 27, 2022; online). Site Visited (Sep. 2, 2022). Available from Internet URL: <https://www.hydroflask.com/wide-mouth-flex-straw-cap?color=black>.*

* cited by examiner

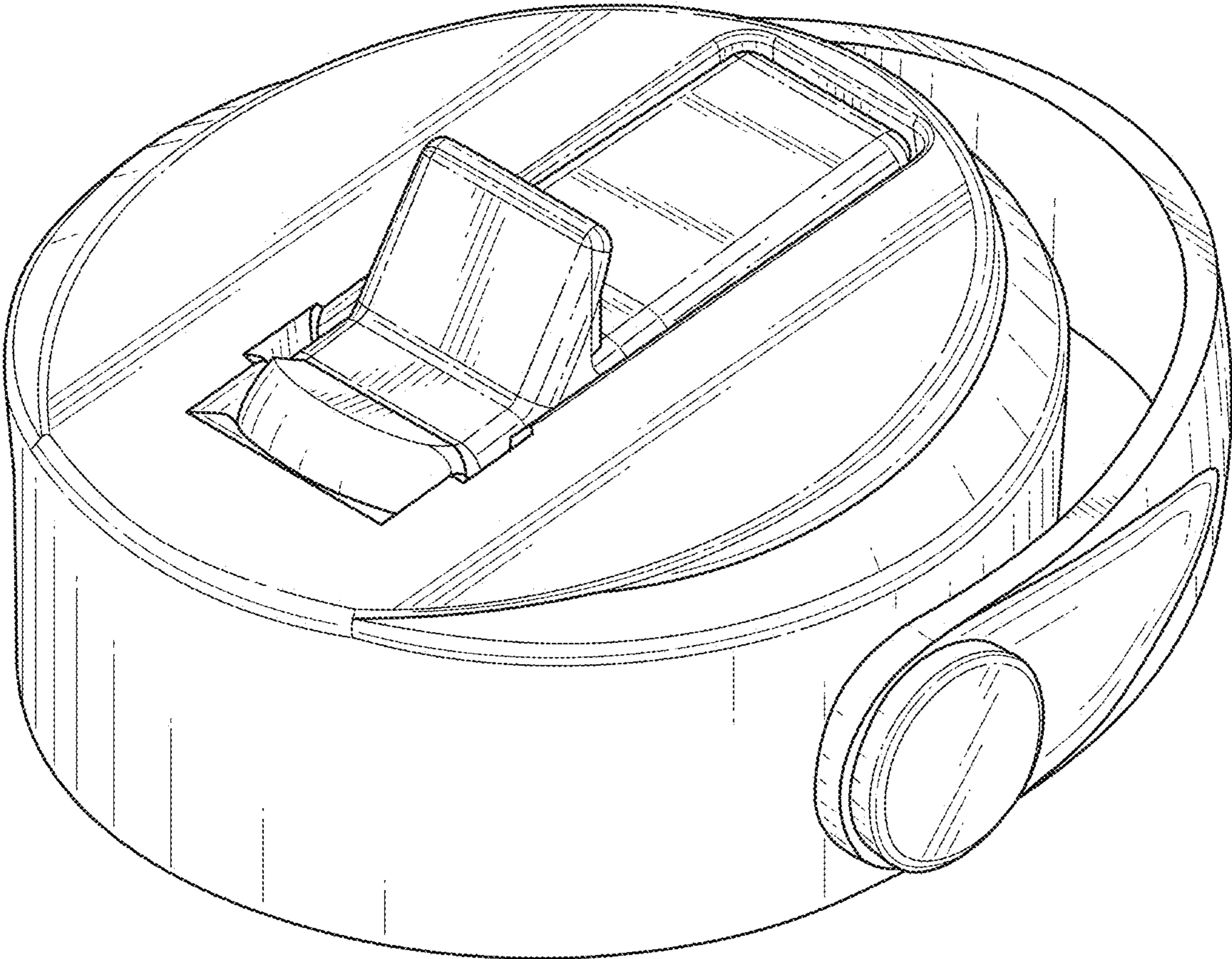


FIG. 1

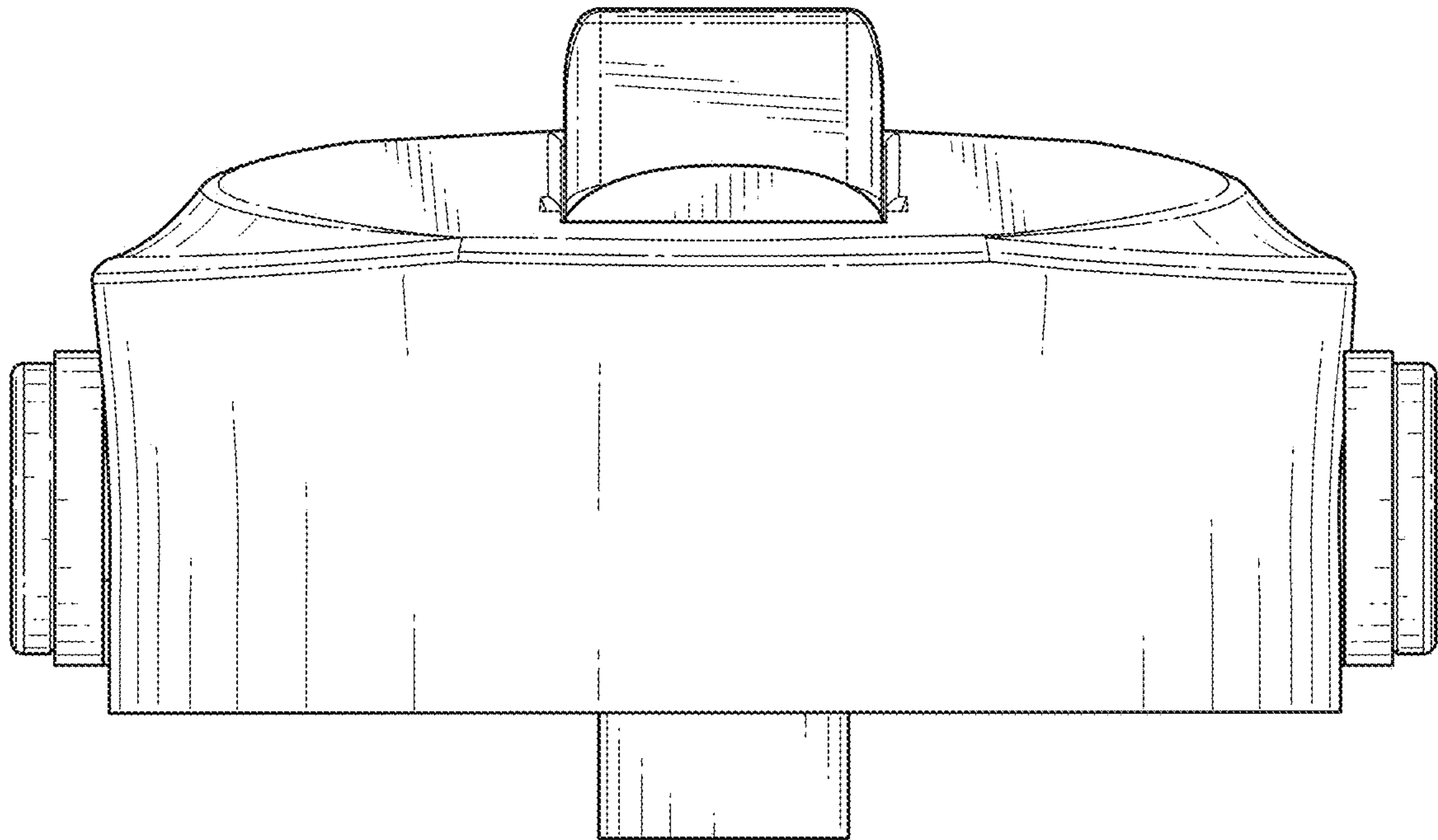


FIG. 2

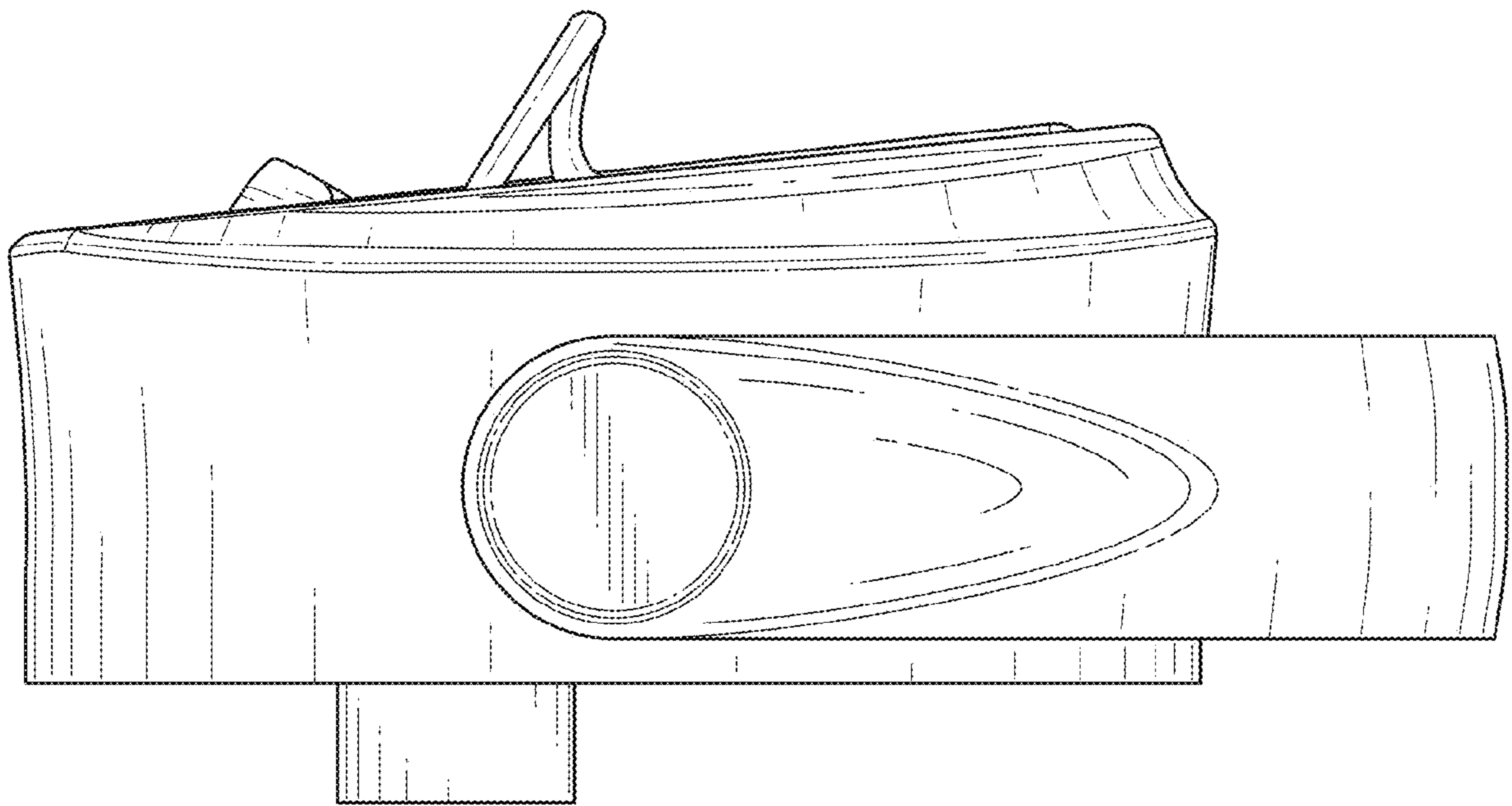


FIG. 3

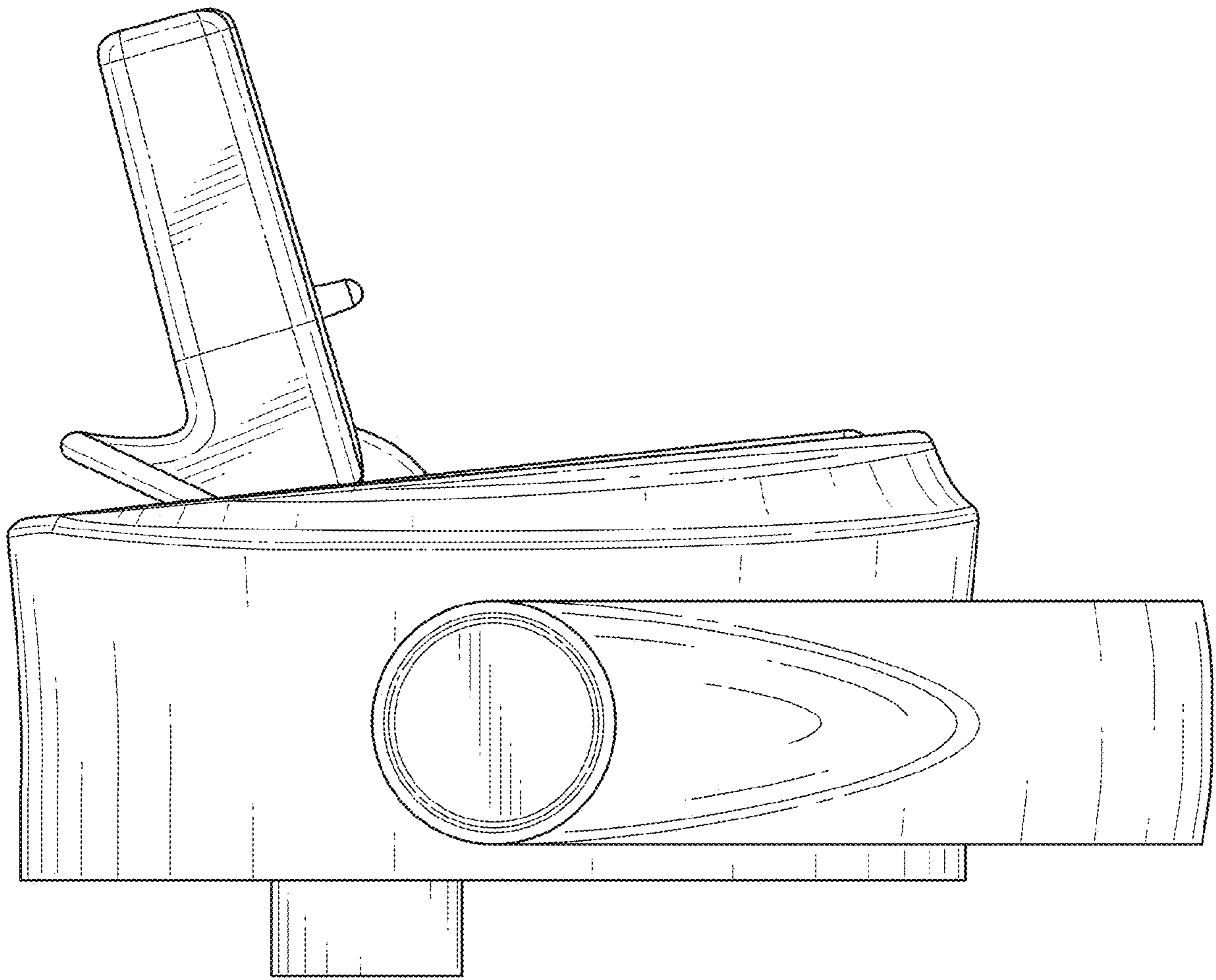


FIG. 4

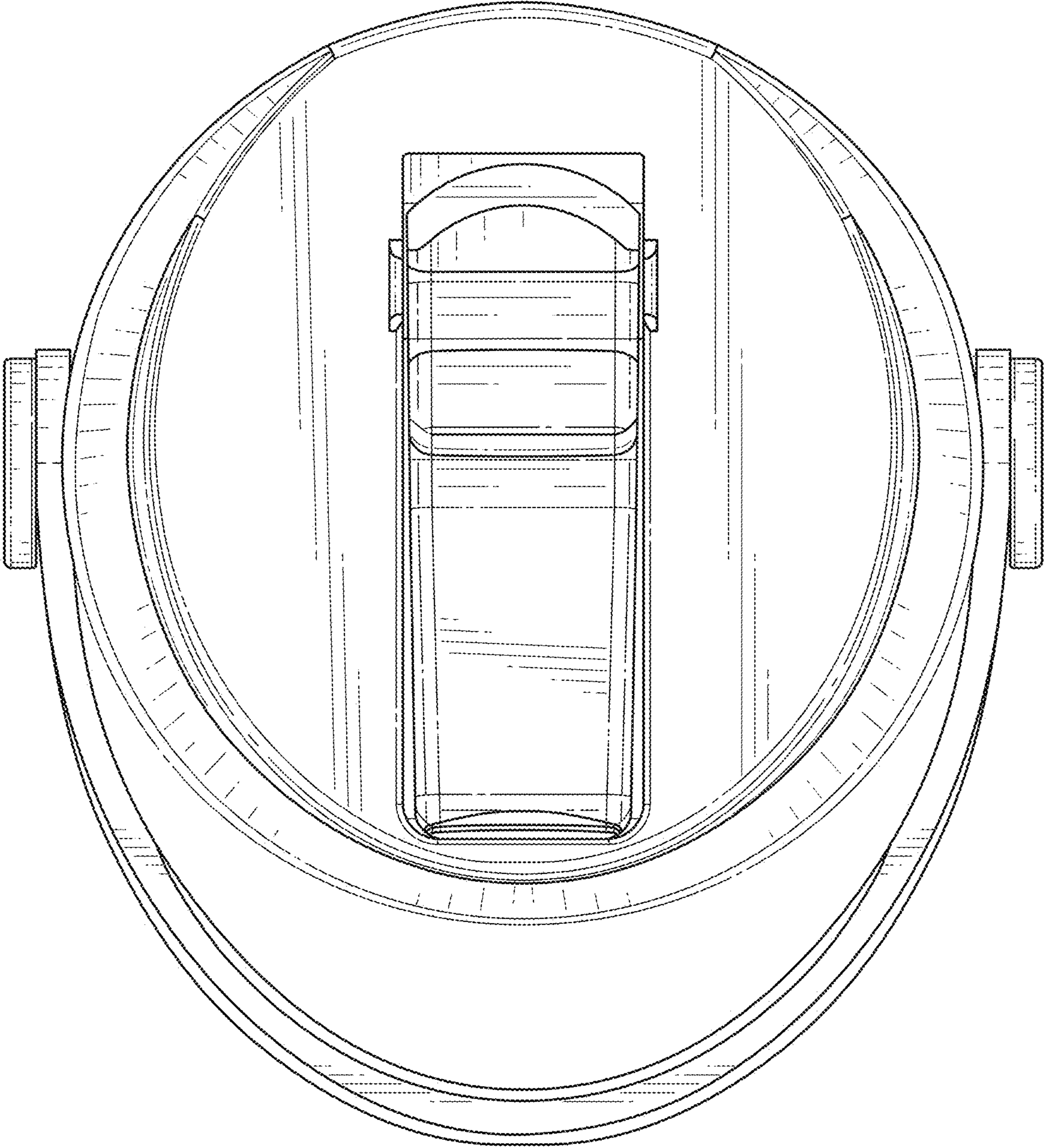


FIG. 5

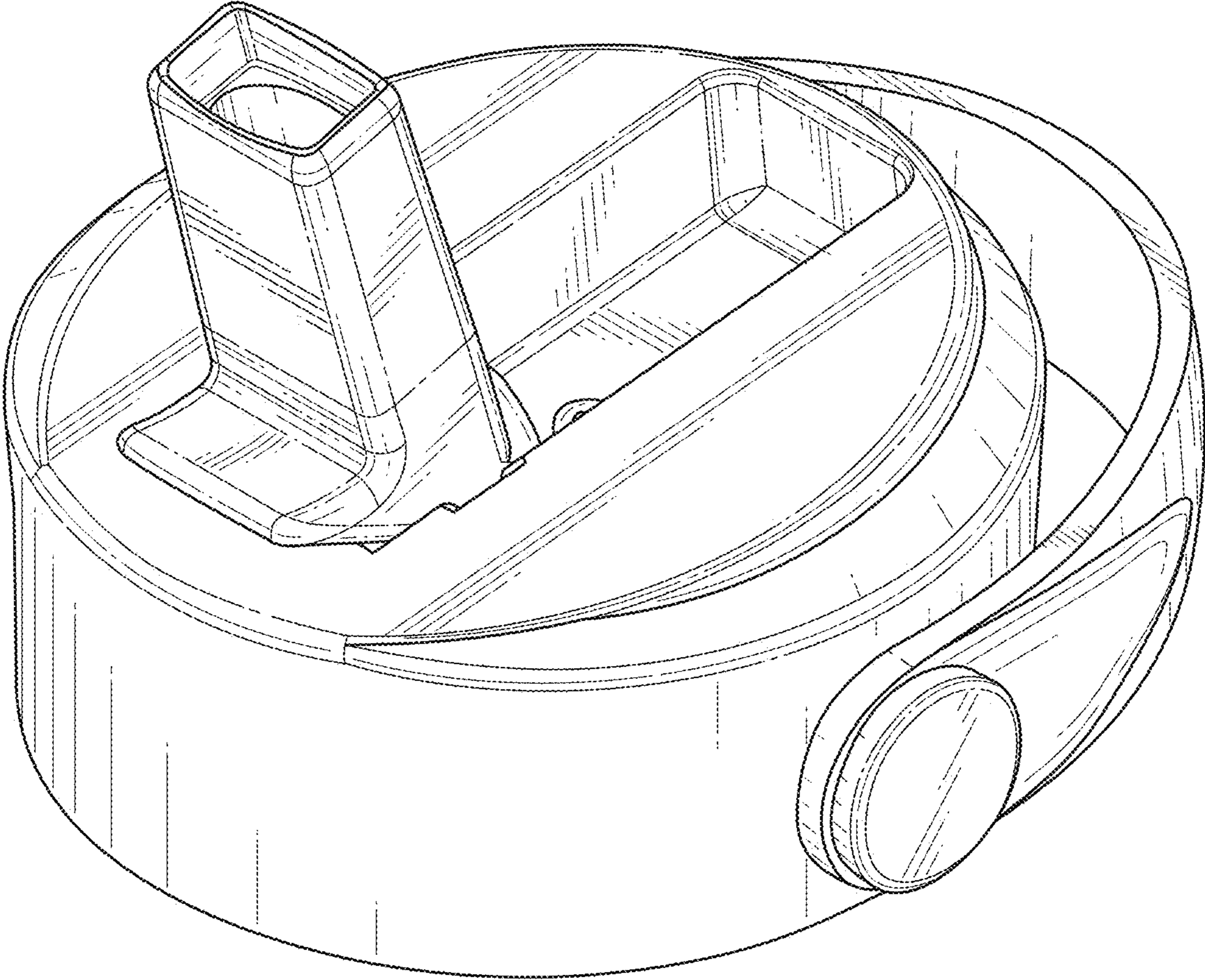


FIG. 6