



US00D980008S

(12) **United States Design Patent**
Luo

(10) **Patent No.:** **US D980,008 S**
(45) **Date of Patent:** **** Mar. 7, 2023**

(54) **HAND MIXER**

(71) Applicant: **Yaoli Luo**, Ganzhou (CN)

(72) Inventor: **Yaoli Luo**, Ganzhou (CN)

(73) Assignee: **Yaoli Luo**, Ganzhou (CN)

(**) Term: **15 Years**

(21) Appl. No.: **29/853,062**

(22) Filed: **Sep. 13, 2022**

(51) **LOC (14) Cl.** **31-00**

(52) **U.S. Cl.**

USPC **D7/379**; D7/376; D7/378

(58) **Field of Classification Search**

USPC D7/354, 372, 376–386, 396.1, 412–413,
D7/526, 538, 542, 562, 565, 566, 584,
D7/588, 602, 629, 665–666, 669, 679,
D7/693–694

CPC A21C 1/02; A21C 1/04; A23N 1/00; A23N
1/02; A47J 43/04; A47J 43/25; A47J
43/27; A47J 43/042; A47J 43/044; A47J
43/046; A47J 43/06; A47J 43/075; A47J
43/0705; A47J 43/0711; A47J 43/0722;
A47J 43/0727; A47J 43/1093; B01F 3/00;
B01F 3/0807; B01F 3/0853; B01F
13/0059; B01F 13/0064; B02C 1/08;
B02C 2/04; B02C 4/42; B02C 4/142;
B02C 4/143; B02C 4/423; B02C 13/1835;
B28C 5/10; B28C 5/12; B28C 5/14;
B28C 5/16

See application file for complete search history.

(56) **References Cited**

U.S. PATENT DOCUMENTS

D173,624 S * 12/1954 Madl D7/379
D329,166 S * 9/1992 Doggett D7/379

D345,888 S * 4/1994 Joss D7/412
D387,244 S * 12/1997 Ivy D7/379
D593,360 S * 6/2009 Lee D7/379
D665,223 S * 8/2012 Haley D7/378
D665,224 S * 8/2012 Benoit D7/378
D800,493 S * 10/2017 Muller D7/384
D859,912 S * 9/2019 Powell D7/379
D960,633 S * 8/2022 Jo et al.
D968,876 S * 11/2022 Wang D7/378
D968,877 S * 11/2022 Wang D7/378
2017/0055775 A1 * 3/2017 Hoare A47J 43/06

OTHER PUBLICATIONS

Lord Eagle Hand Mixer Electric. Date First Available on Amazon.com Oct. 20, 2020. <https://www.amazon.com/dp/B08LGG9CDN/ref> (Year: 2020).*

* cited by examiner

Primary Examiner — Ricky Pham

(74) *Attorney, Agent, or Firm* — Nitin Kaushik

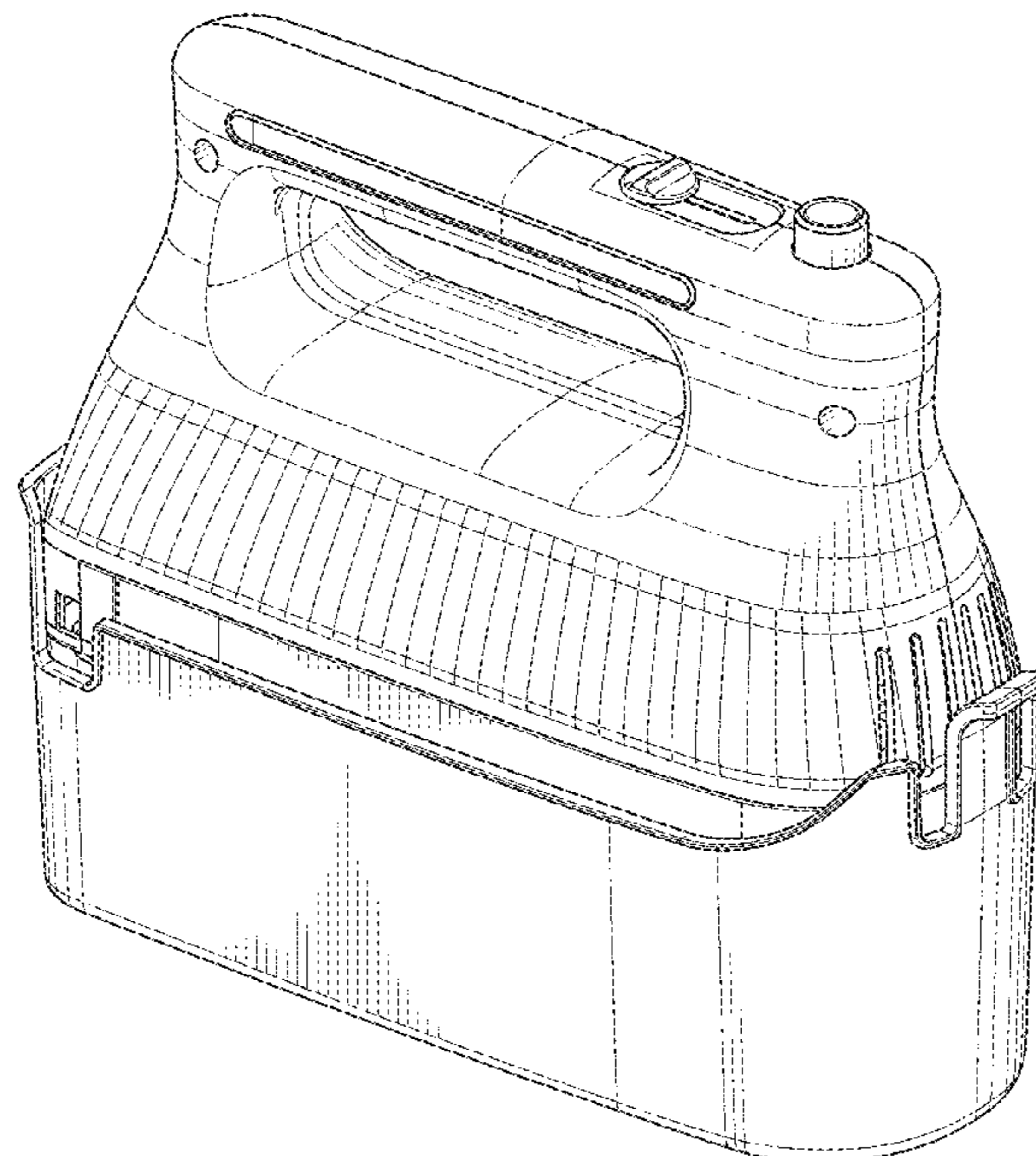
(57) **CLAIM**

The ornamental design for a hand mixer, as shown and described.

DESCRIPTION

FIG. 1 is a front perspective view of a hand mixer, showing my new design;
FIG. 2 is a right side view thereof;
FIG. 3 is a left side view thereof;
FIG. 4 is a rear view thereof;
FIG. 5 is a front view thereof;
FIG. 6 is a top view thereof; and,
FIG. 7 is a bottom view thereof.

1 Claim, 6 Drawing Sheets



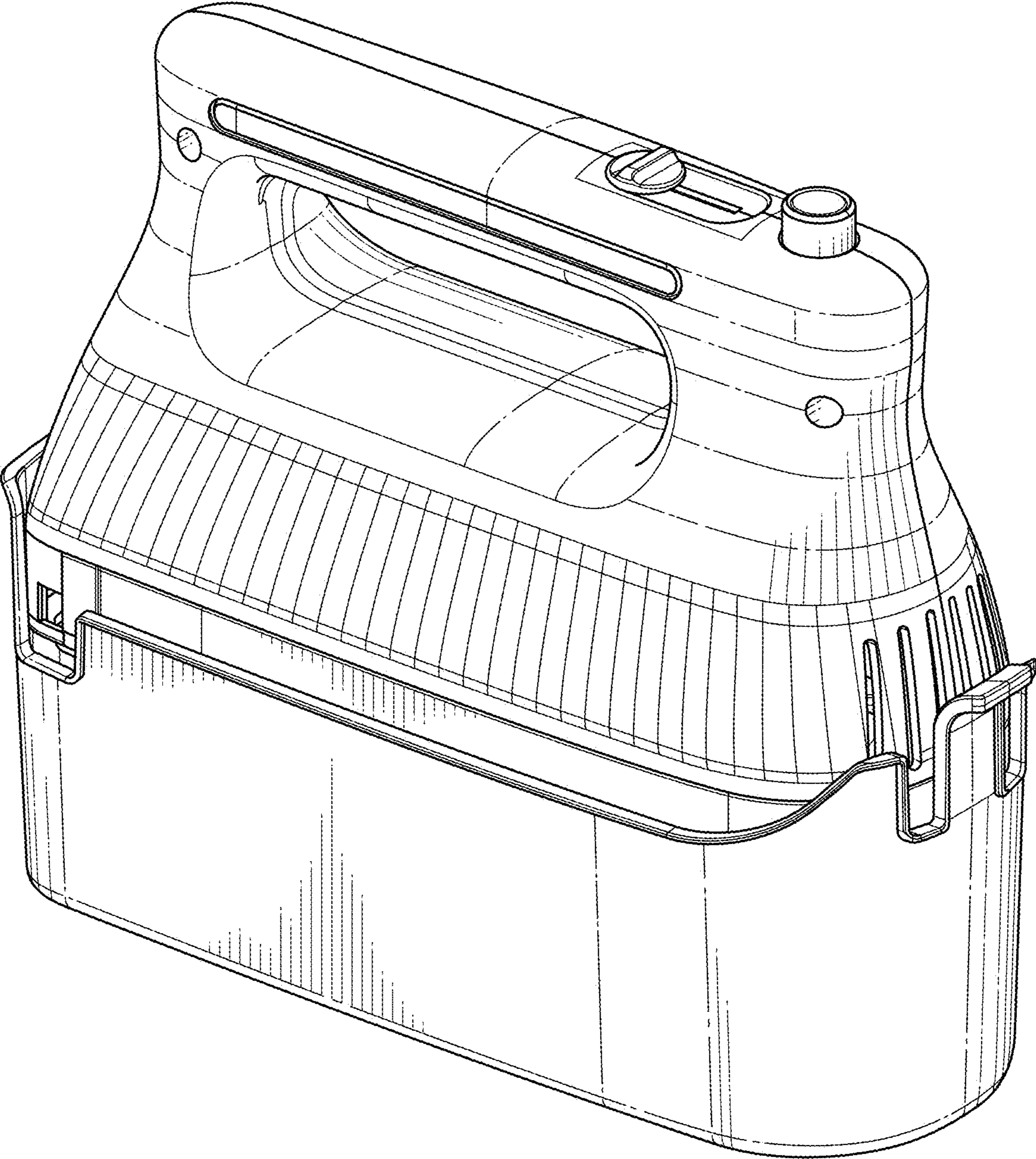


FIG. 1

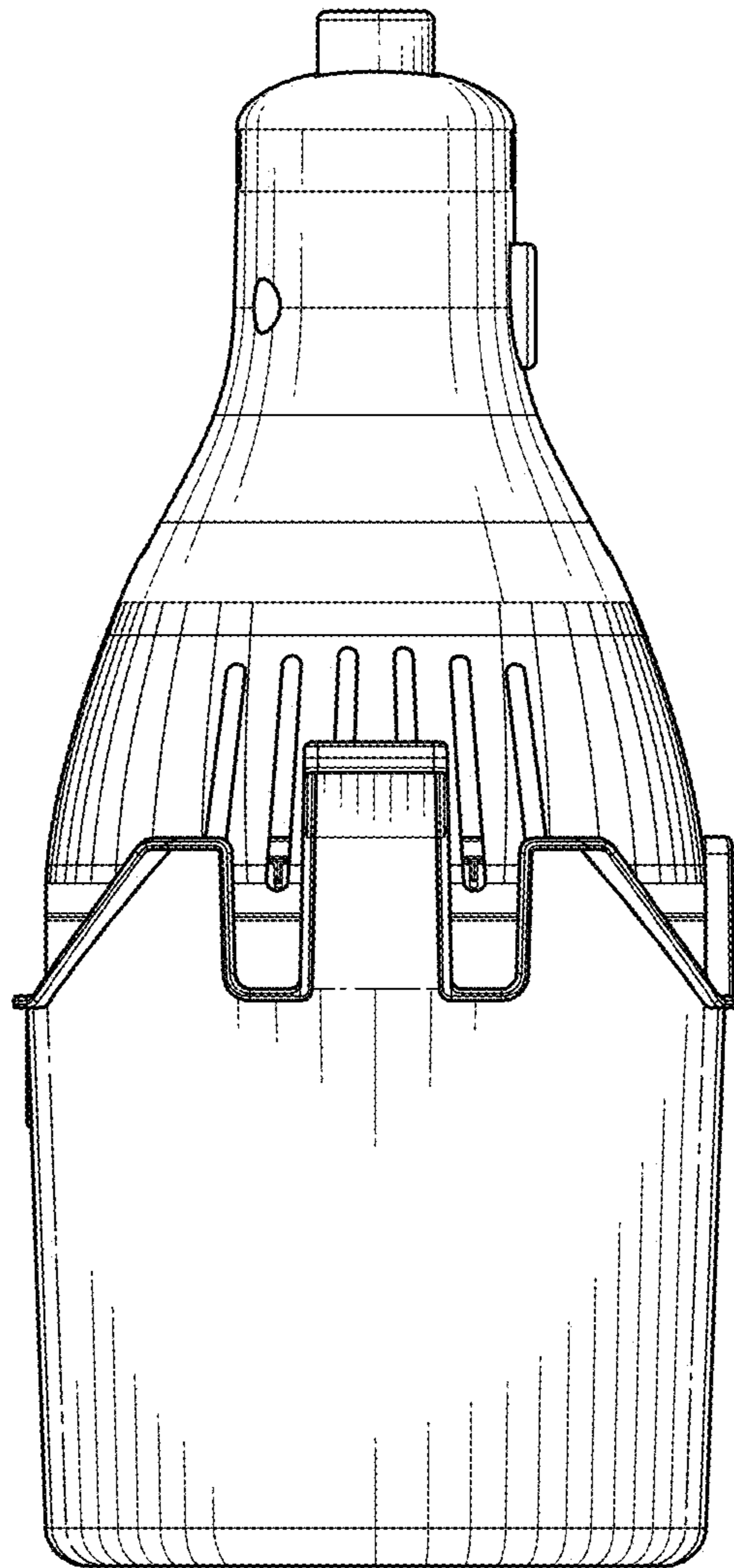


FIG. 2

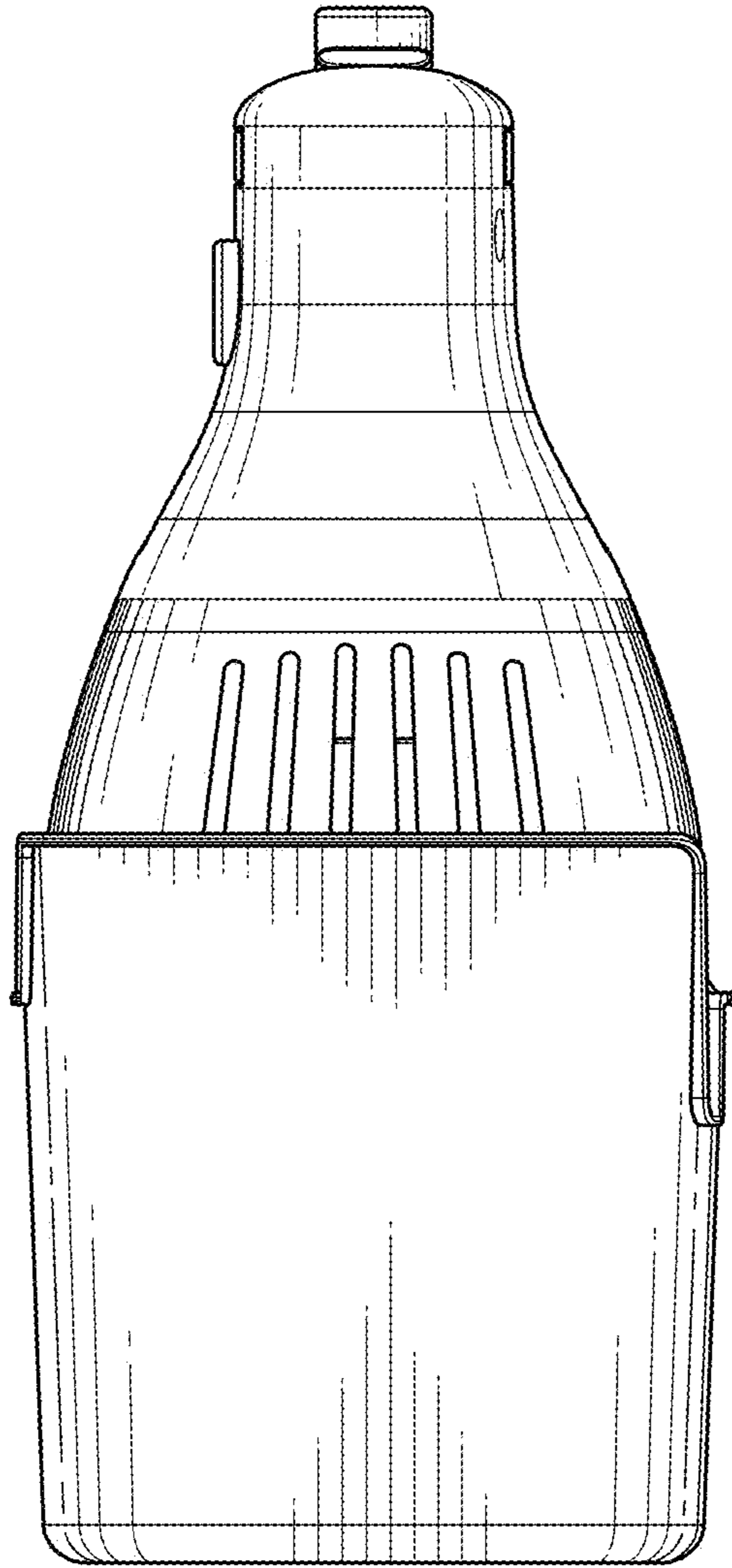


FIG. 3

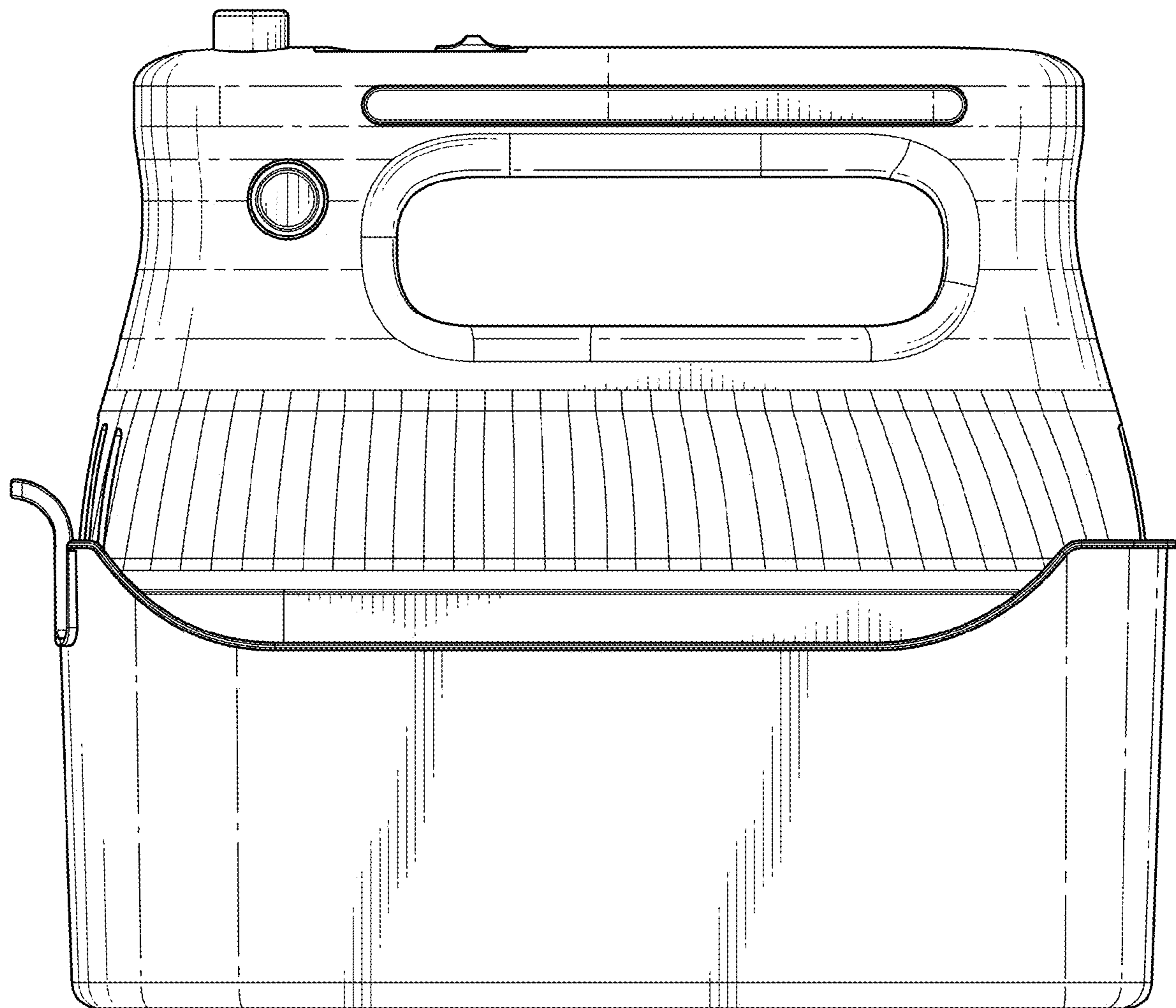


FIG. 4

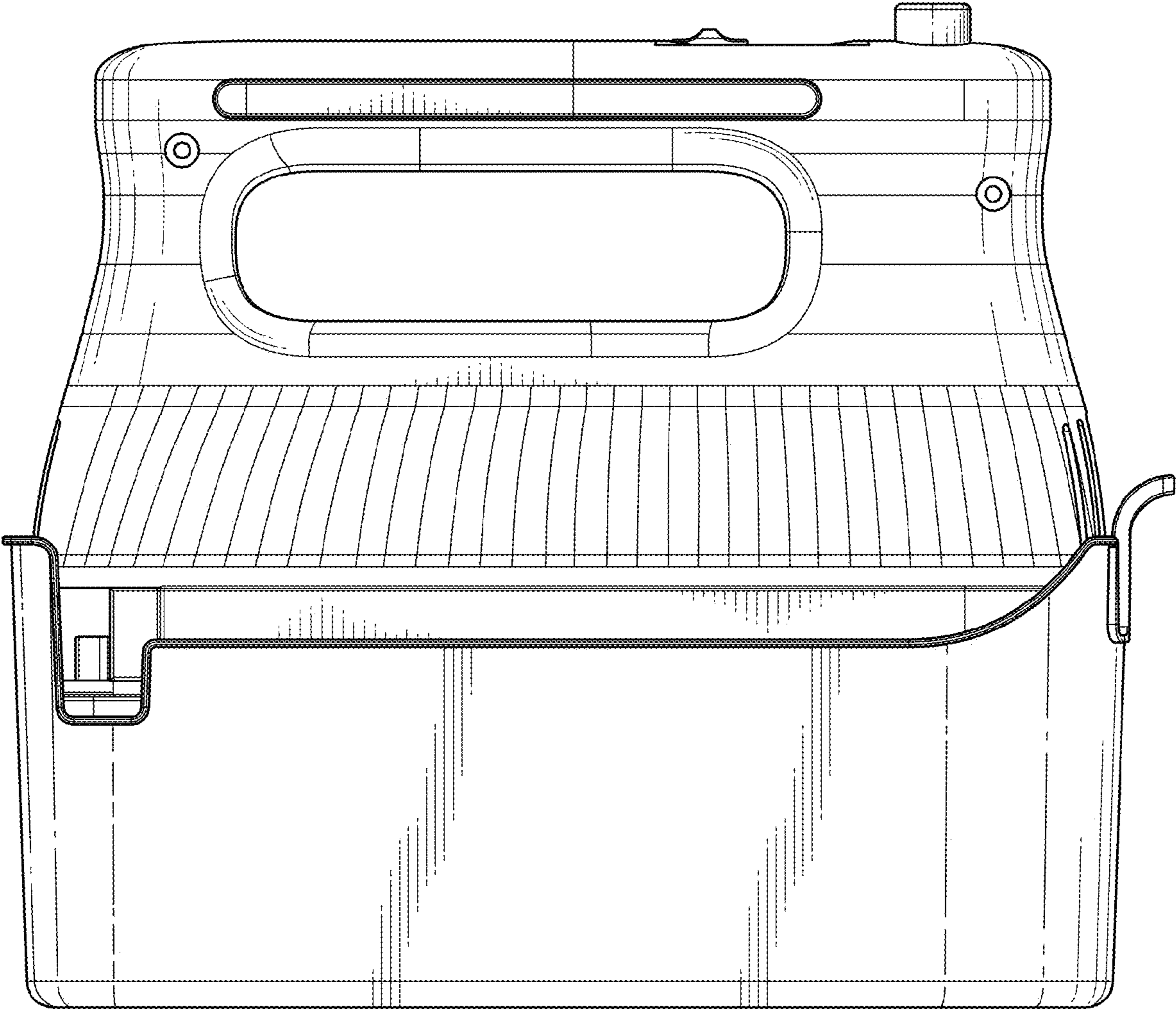


FIG. 5

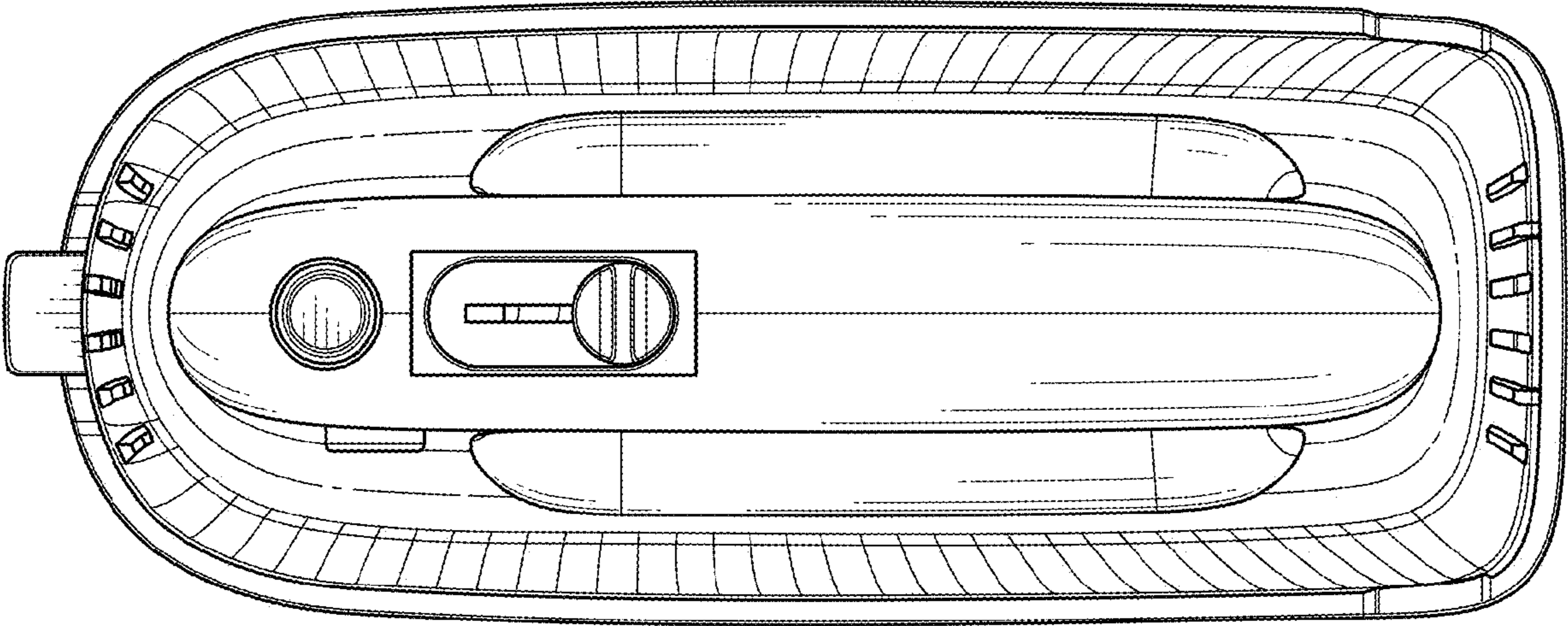


FIG. 6

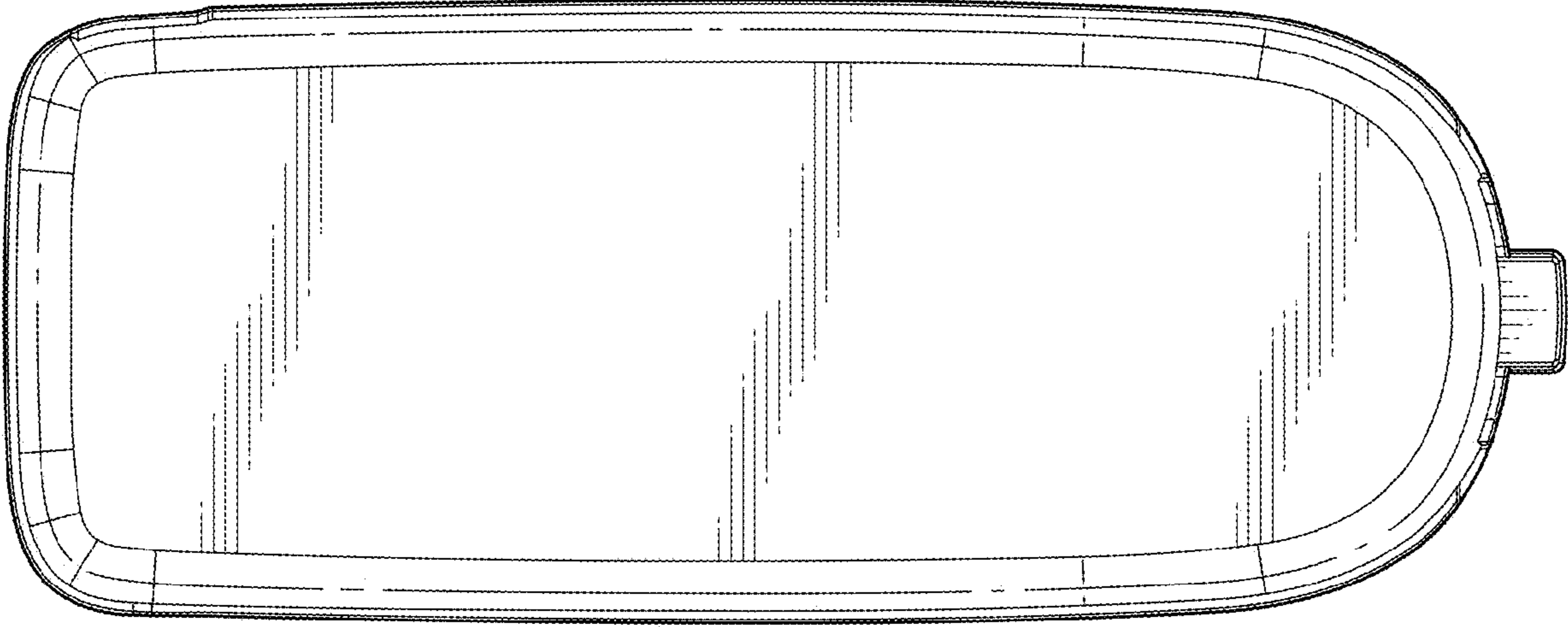


FIG. 7