



US00D980007S

(12) **United States Design Patent**  
**Mojica**

(10) **Patent No.:** **US D980,007 S**  
(45) **Date of Patent:** **\*\* Mar. 7, 2023**

(54) **CARABINER WITH SPARKING ELEMENT**  
(71) Applicant: **Outdoor Element, LLC**, Englewood, CO (US)  
(72) Inventor: **Michael John Mojica**, Englewood, CO (US)  
(73) Assignee: **Outdoor Element, LLC**, Englewood, CO (US)

|              |         |                  |         |
|--------------|---------|------------------|---------|
| D504,975 S * | 5/2005  | Xu .....         | D8/356  |
| D506,568 S * | 6/2005  | Chen .....       | D8/356  |
| D527,139 S * | 8/2006  | Deahl .....      | D27/161 |
| D579,763 S * | 11/2008 | Uehara .....     | D8/367  |
| D583,654 S * | 12/2008 | Uehara .....     | D8/367  |
| D649,024 S * | 11/2011 | Takazakura ..... | D8/367  |
| D665,655 S * | 8/2012  | Ishii .....      | D8/367  |
| D675,806 S * | 2/2013  | Caul .....       | D2/500  |
| D730,159 S * | 5/2015  | Grimm .....      | D8/356  |
| D740,645 S * | 10/2015 | Koreishi .....   | D8/367  |
| D758,307 S * | 6/2016  | Stump .....      | D13/108 |
| D785,316 S * | 5/2017  | Grossman .....   | D3/208  |
| D821,090 S * | 6/2018  | Case .....       | D3/207  |

(Continued)

(\*\*) Term: **15 Years**  
(21) Appl. No.: **29/699,970**

*Primary Examiner* — Cynthia R Underwood  
(74) *Attorney, Agent, or Firm* — Holland & Hart LLP

(22) Filed: **Jul. 30, 2019**  
(51) **LOC (14) Cl.** ..... **08-11**  
(52) **U.S. Cl.**  
USPC ..... **D7/367; D27/142**  
(58) **Field of Classification Search**  
USPC ..... D8/356, 354, 349, 367; D27/161, 139, D27/142  
CPC . B63B 21/045; A62B 35/0081; B60P 7/0823; H04R 1/1033; A44B 13/0029  
See application file for complete search history.

(57) **CLAIM**

The ornamental design for a carabiner with sparking element, as shown and described.

**DESCRIPTION**

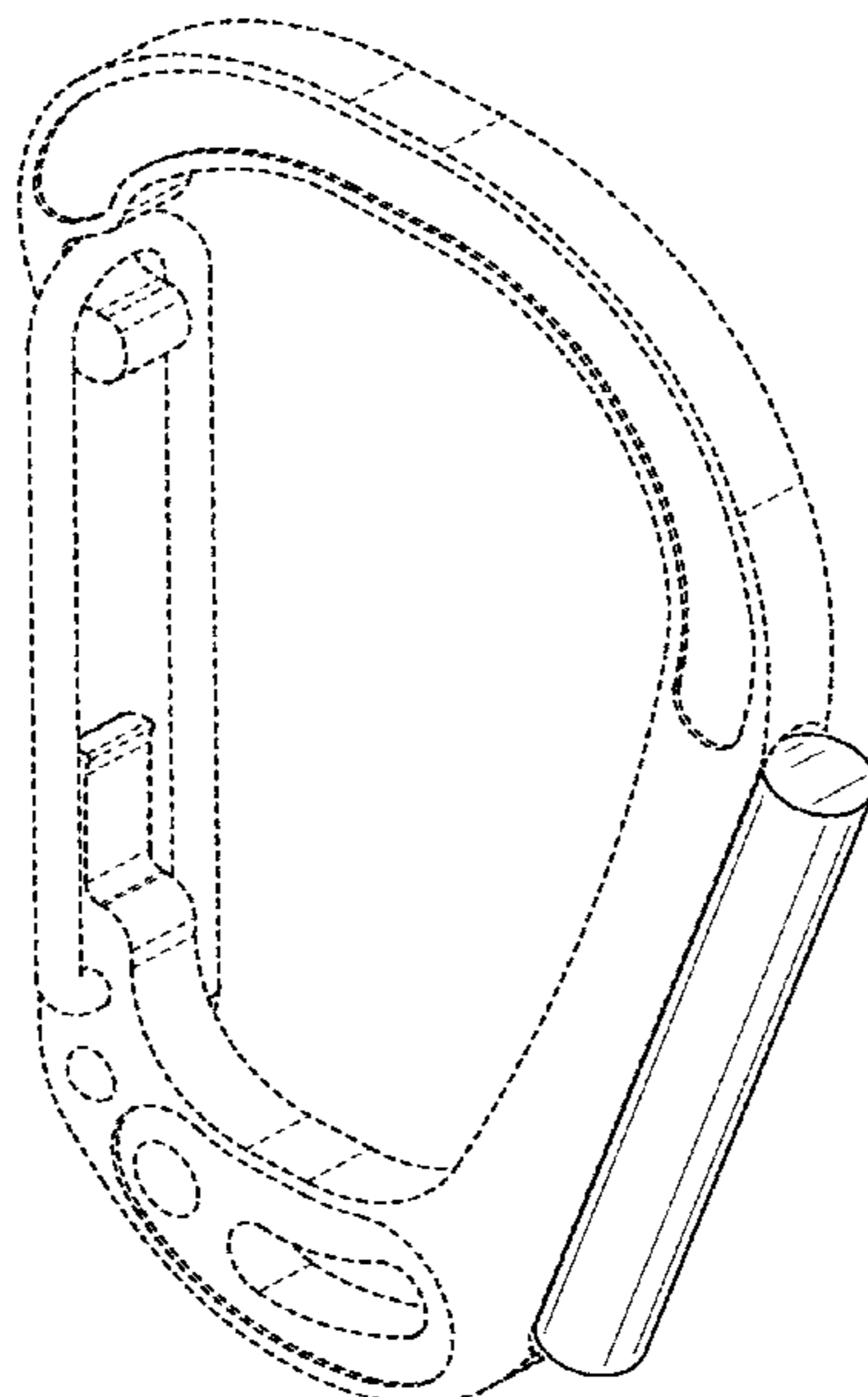
FIG. 1 is a perspective view of a carabiner with sparking element according to an embodiment of the claimed design; FIG. 2 is a front view of the carabiner with sparking element of FIG. 1; FIG. 3 is a rear view of the carabiner with sparking element of FIG. 1; FIG. 4 is a left view of the carabiner with sparking element of FIG. 1; FIG. 5 is a right view of the carabiner with sparking element of FIG. 1; FIG. 6 is a top view of the carabiner with sparking element of FIG. 1; and, FIG. 7 is a bottom view of the carabiner with sparking element of FIG. 1. The features shown in broken lines represent portions of the carabiner with sparking element which form no part of the claimed design.

(56) **References Cited**

U.S. PATENT DOCUMENTS

|              |         |                    |         |
|--------------|---------|--------------------|---------|
| D10,707 S *  | 6/1878  | Fuller et al. .... | D27/139 |
| D30,657 S *  | 5/1899  | Ford .....         | D27/139 |
| D342,665 S * | 12/1993 | Rekuc .....        | D8/367  |
| D348,385 S * | 7/1994  | Krauss .....       | D8/367  |
| D355,585 S * | 2/1995  | Terada .....       | D8/367  |
| D391,694 S * | 3/1998  | Eichhorn .....     | 119/784 |
| D391,840 S * | 3/1998  | Striebel .....     | D8/367  |
| D394,202 S * | 5/1998  | Anscher .....      | D8/367  |
| D402,189 S * | 12/1998 | Izumi .....        | D8/382  |
| D436,305 S * | 1/2001  | Schuster .....     | D8/367  |
| D483,519 S * | 12/2003 | Liu .....          | D8/356  |
| D491,049 S * | 6/2004  | Kung .....         | D8/367  |
| D502,567 S * | 3/2005  | Xu .....           | D8/356  |

**1 Claim, 7 Drawing Sheets**



(56)

**References Cited**

U.S. PATENT DOCUMENTS

|              |      |         |                  |              |
|--------------|------|---------|------------------|--------------|
| 10,060,466   | B2 * | 8/2018  | Kaneko .....     | F16B 45/02   |
| D837,635     | S *  | 1/2019  | Petzl .....      | D8/356       |
| D846,799     | S *  | 4/2019  | Moore .....      | D27/174      |
| D849,316     | S *  | 5/2019  | Wessel .....     | D27/139      |
| D865,493     | S *  | 11/2019 | Feng .....       | D8/356       |
| D882,378     | S *  | 4/2020  | Graykowski ..... | D8/356       |
| D885,871     | S *  | 6/2020  | Adelman .....    | D8/356       |
| D892,600     | S *  | 8/2020  | Schmitz .....    | D8/367       |
| D892,601     | S *  | 8/2020  | Schmitz .....    | D8/367       |
| D894,718     | S *  | 9/2020  | Kramer .....     | D8/356       |
| D902,009     | S *  | 11/2020 | Yang .....       | D8/336       |
| D911,108     | S *  | 2/2021  | Hofer .....      | D32/46       |
| D920,233     | S *  | 5/2021  | Chen .....       | D13/108      |
| D923,869     | S *  | 6/2021  | Goradesky .....  | D27/172      |
| 2005/0051183 | A1 * | 3/2005  | Coulthard .....  | A24F 13/18   |
|              |      |         |                  | 131/237.5    |
| 2006/0179784 | A1 * | 8/2006  | Chen .....       | F16B 21/00   |
|              |      |         |                  | 52/698       |
| 2009/0145448 | A1 * | 6/2009  | Worlock .....    | A24F 13/18   |
|              |      |         |                  | 131/185      |
| 2016/0361578 | A1 * | 12/2016 | Casebolt .....   | A62B 35/0037 |

\* cited by examiner

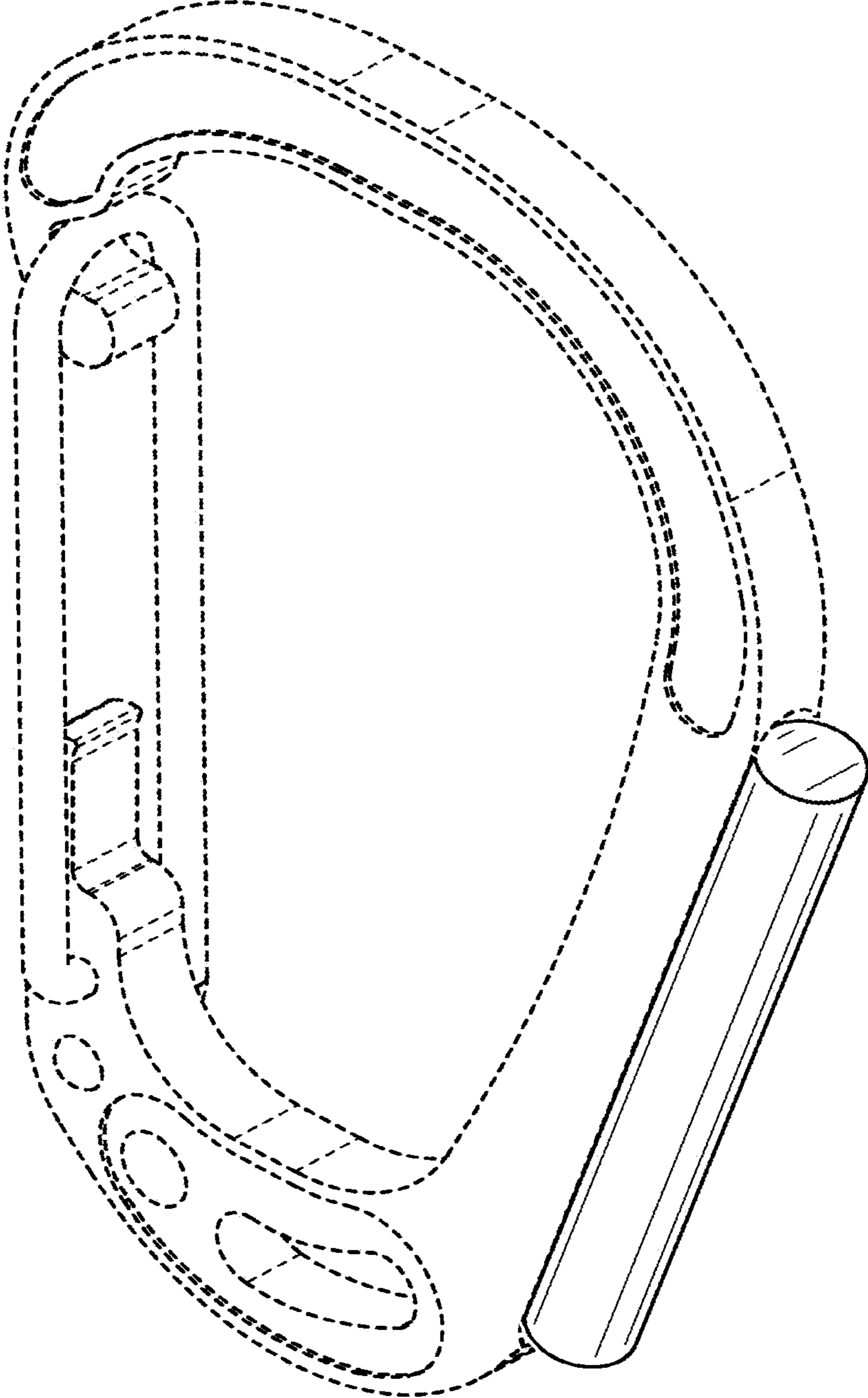


FIG. 1

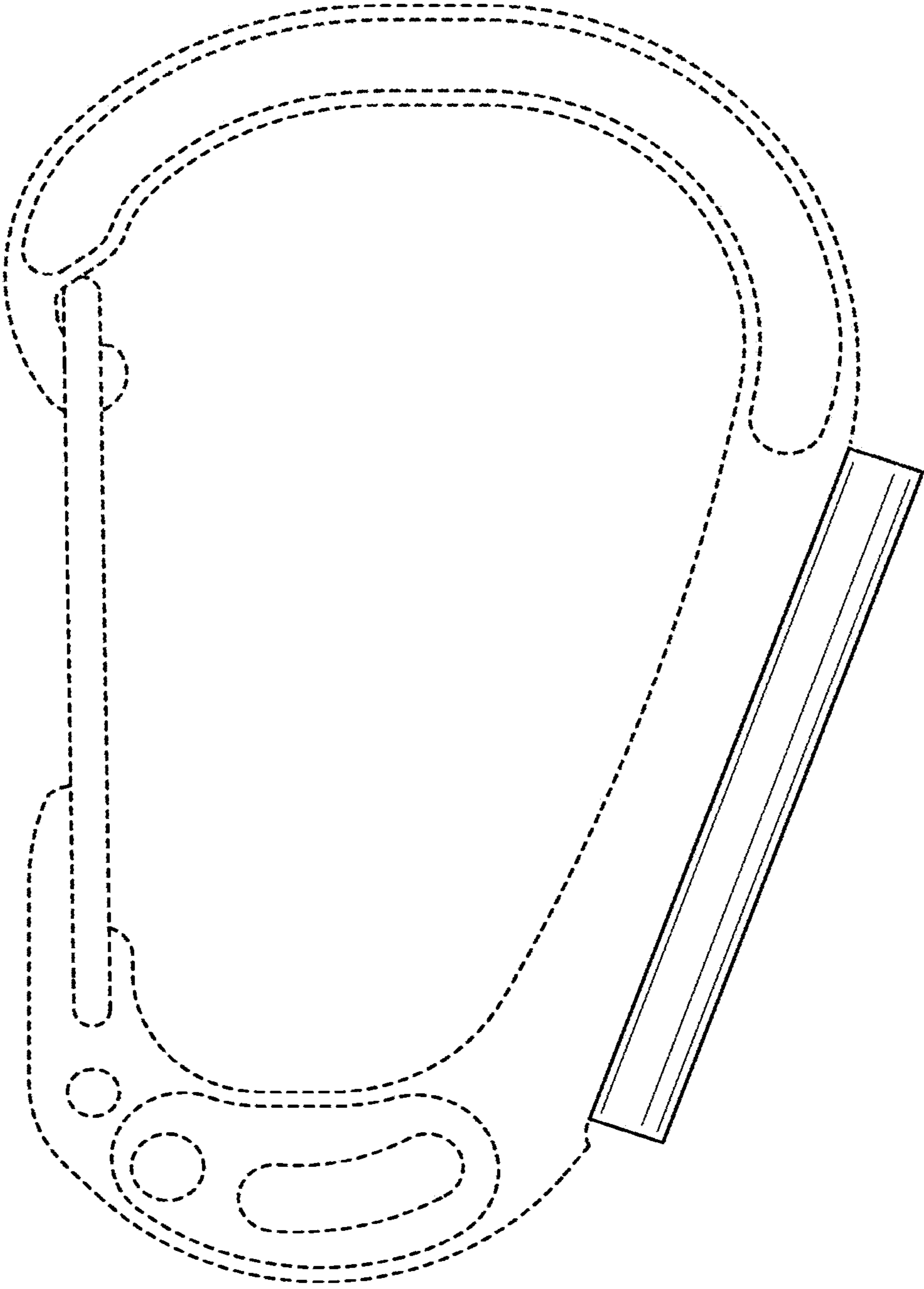


FIG. 2

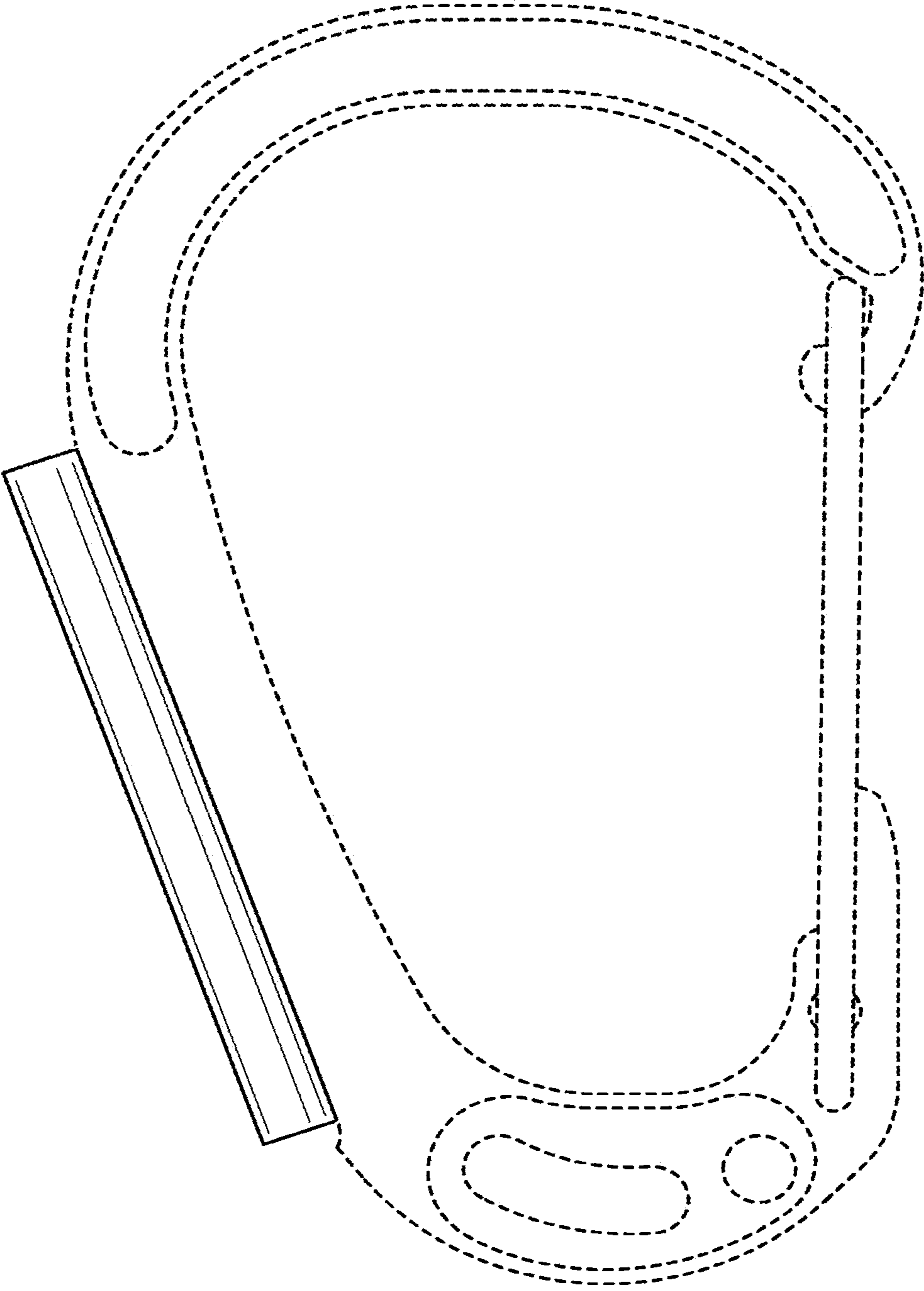


FIG. 3

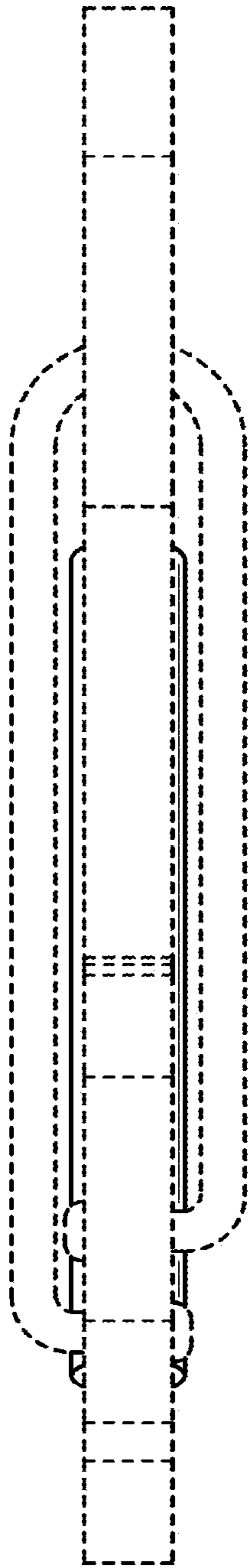


FIG. 4

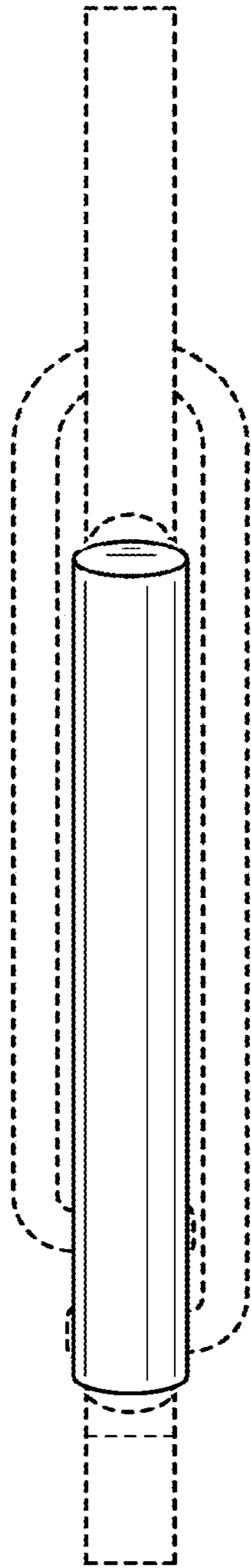


FIG. 5

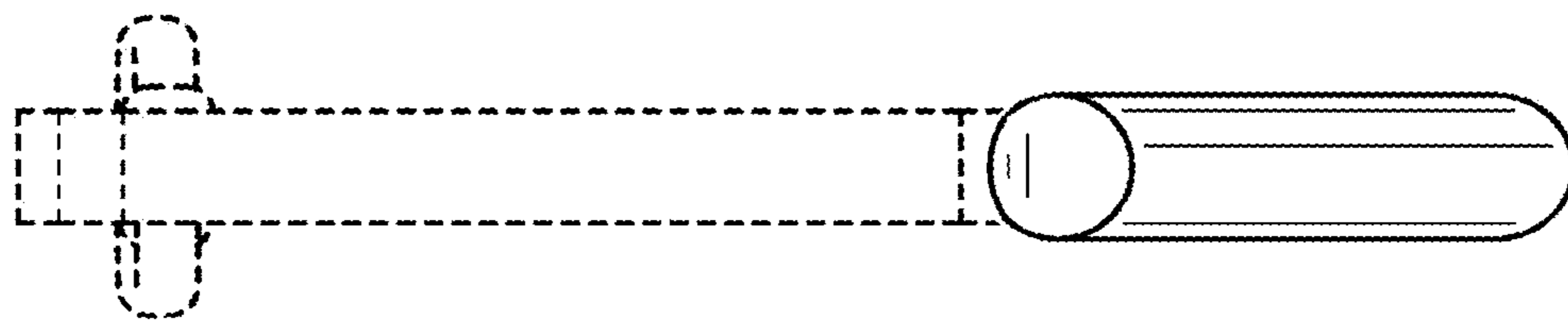


FIG. 6



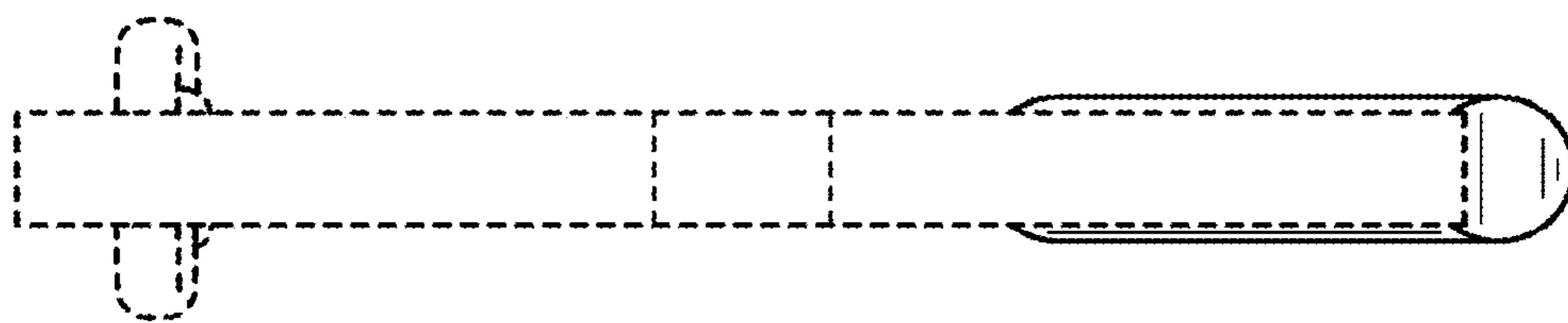


FIG. 7