



US00D980003S

(12) **United States Design Patent**
Hawkins

(10) **Patent No.:** **US D980,003 S**
(45) **Date of Patent:** **** Mar. 7, 2023**

- (54) **INFUSER**
- (71) Applicant: **Jeffrey Clayton Hawkins**, Liberty, MO (US)
- (72) Inventor: **Jeffrey Clayton Hawkins**, Liberty, MO (US)
- (**) Term: **15 Years**
- (21) Appl. No.: **29/825,929**
- (22) Filed: **Feb. 7, 2022**

8,733,239 B2 * 5/2014 Allen A47J 43/046
241/153
D767,327 S * 9/2016 McConnell D7/378
D817,080 S * 5/2018 Seidl A47J 43/25
D7/377
D850,868 S * 6/2019 Lin D7/378
(Continued)

FOREIGN PATENT DOCUMENTS

CN 105686666 6/2016
EP 2218375 A2 8/2010

OTHER PUBLICATIONS

We Tested 11 Food Processors—Here Are the 4 Worth Buying, announced Jul. 8, 2022 [online], retrieved Sep. 22, 2022, retrieved from internet, https://www.seriousseats.com/best-food-processor-equipment-review.*

(Continued)

Primary Examiner — Messina L Smith

Related U.S. Application Data

- (63) Continuation-in-part of application No. 29/724,484, filed on Feb. 14, 2020.
- (51) **LOC (14) Cl.** **07-02**
- (52) **U.S. Cl.**
USPC **D7/354**
- (58) **Field of Classification Search**
USPC D7/306, 309, 354, 355, 358, 361, 372, D7/373, 374, 375, 376, 377, 378, 379, D7/380, 381, 382, 383, 384, 385, 386, D7/412, 413, 602, 612, 694, 669, 679
CPC .. A47J 43/04; A47J 43/25; A47J 43/27; A47J 43/042; A47J 43/044; A47J 43/046; A47J 43/075; A47J 43/0722; A47J 43/0727; A21C 1/02; A21C 1/04; A23G 9/045; A23N 1/00; A23N 1/02
See application file for complete search history.

(57) **CLAIM**

The ornamental design for an infuser, as shown and described.

DESCRIPTION

FIG. 1 is a top-front-right perspective view of an infuser showing my new design;
FIG. 2 is a bottom-rear-right perspective view thereof;
FIG. 3 is a right elevational view thereof;
FIG. 4 is a left elevational view thereof;
FIG. 5 is a top plan view thereof;
FIG. 6 is a bottom plan view thereof;
FIG. 7 is a front elevational view thereof; and,
FIG. 8 is a back elevational view thereof.

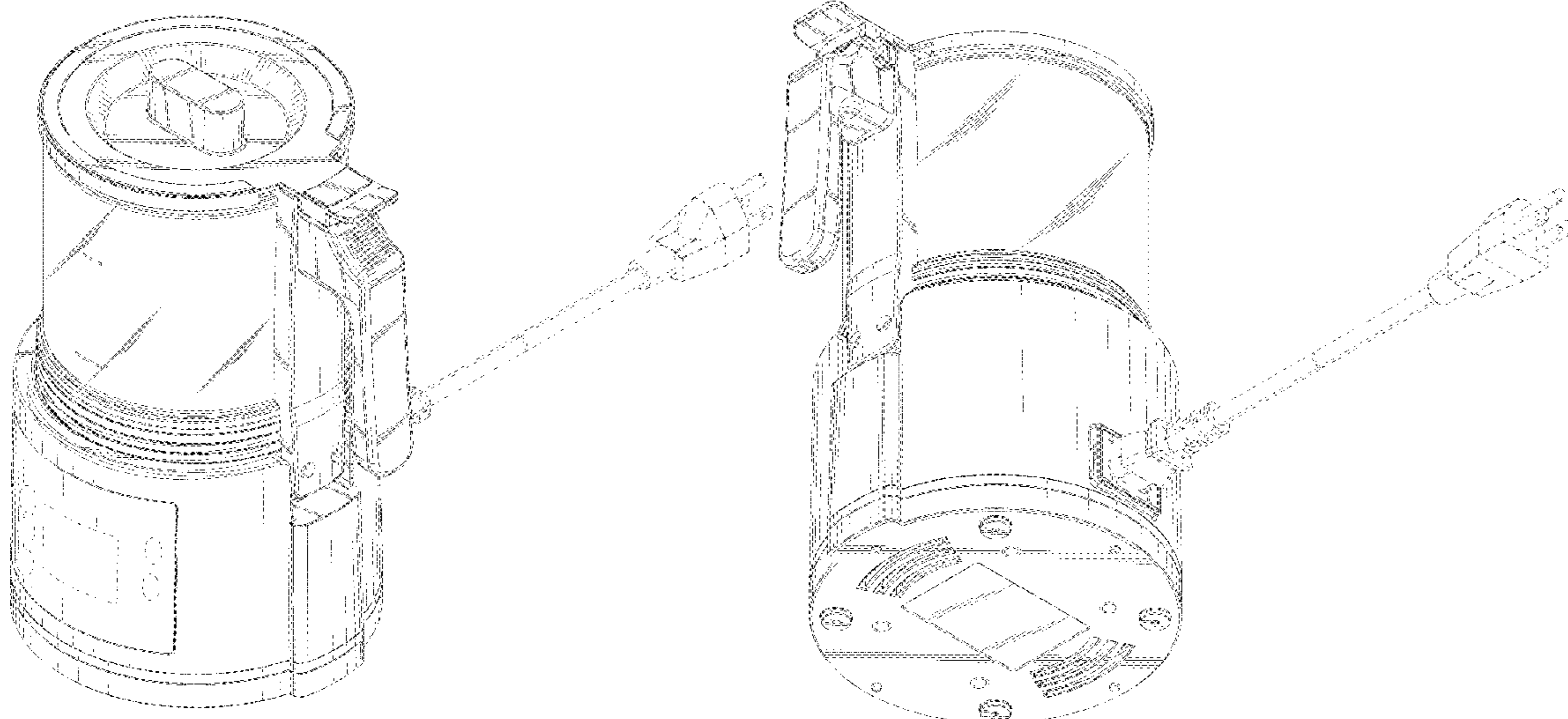
The broken lines showing the power cord, the panel, buttons, and measuring lines in FIGS. 1 through 8 are included for the purpose of illustrating portions of the infuser that form no part of the claimed design.

1 Claim, 8 Drawing Sheets

(56) **References Cited**

U.S. PATENT DOCUMENTS

4,226,175 A 10/1980 Sandor
4,542,857 A * 9/1985 Akasaka A47J 43/0794
241/37.5
D290,677 S * 7/1987 Stutzer D7/383
D293,071 S * 12/1987 Kim D7/384
D475,577 S * 6/2003 Kung D7/533
D556,506 S * 12/2007 Spagnolo D7/378



(56)

References Cited

U.S. PATENT DOCUMENTS

D895,348 S * 9/2020 Vignau-Lous D7/378
D896,566 S * 9/2020 Wang D7/378
D920,032 S * 5/2021 McConnell D7/378
2005/0057876 A1 3/2005 Kim
2005/0194484 A1* 9/2005 Starr A47J 43/0716
241/285.2
2011/0011281 A1* 1/2011 Allen A47J 43/0716
241/37.5
2019/0075971 A1* 3/2019 Noca A47J 36/18
2019/0090694 A1* 3/2019 Wu A47J 43/0722

OTHER PUBLICATIONS

Glass Teapot with Stainless Steel Infuser, announced © 2022 [online], retrieved Sep. 22, 2022, retrieved from internet, <https://gonefriendly.com/products/glass-teapot-with-stainless-steel-infuser-flameless-warming-candle>.*

Kettle With Tea Infuser 1.5L Glass Electric Cordless with Smart Touch Panel, announced May 7, 2022 [online], retrieved Sep. 22, 2022, retrieved from internet, <https://www.ebay.com/itm/115374880887>.*

Make GBBO-level cakes with these 5 best food processors under £100, announced Sep. 15, 2021 [online], retrieved Sep. 22, 2022, retrieved from internet, <https://www.cosmopolitan.com/uk/worklife/g37573085/best-food-processors/>.*

Ninja HB152 Foodi Heat-iQ Blender, Retrieved from Internet, Retrieved on Jul. 30, 2021 <URL: <https://www.amazon.com/Ninja-Blender-Smoothies-Nonstick-HB152/dp/B07S65293D>>.

* cited by examiner

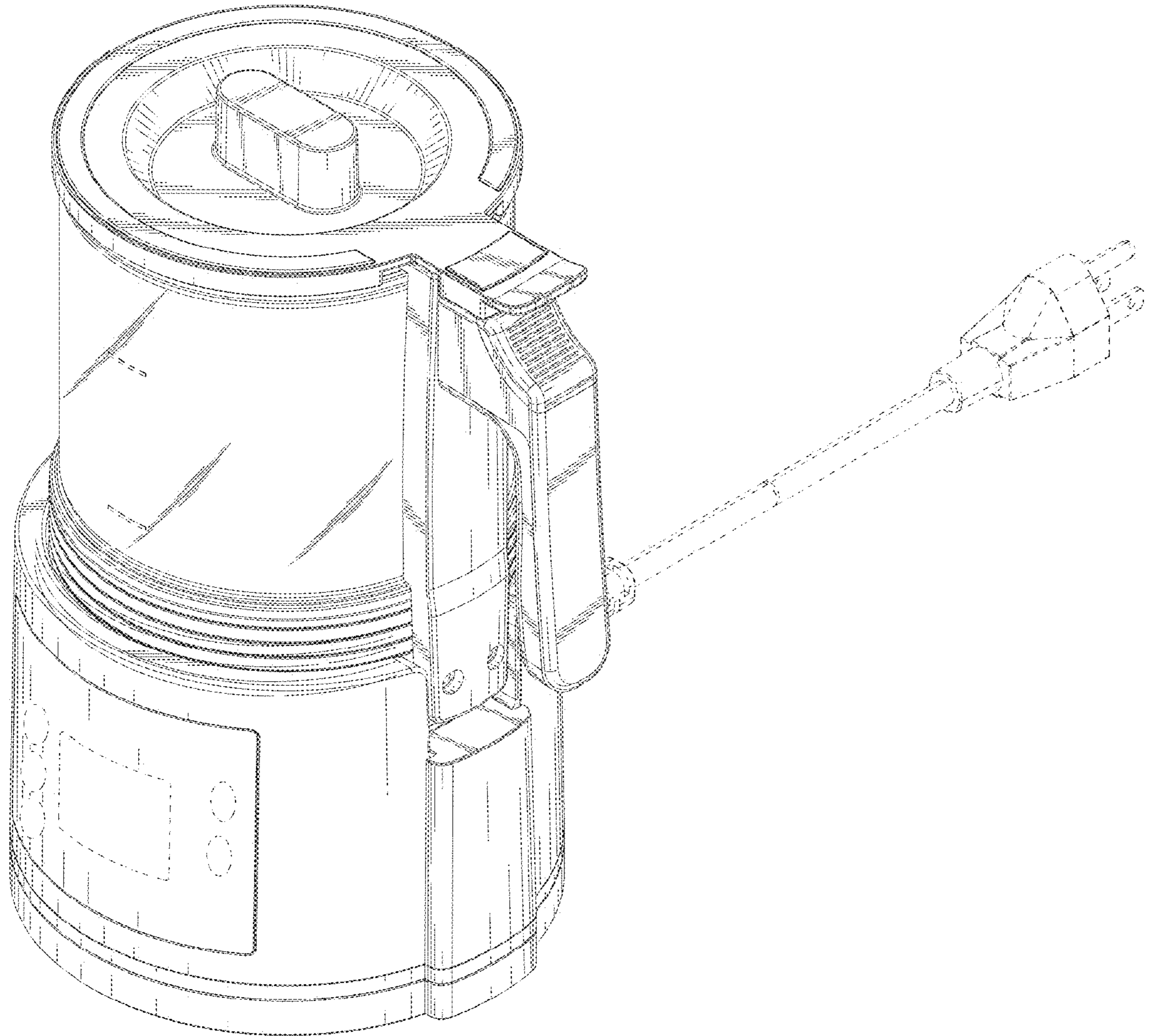


FIG. 1

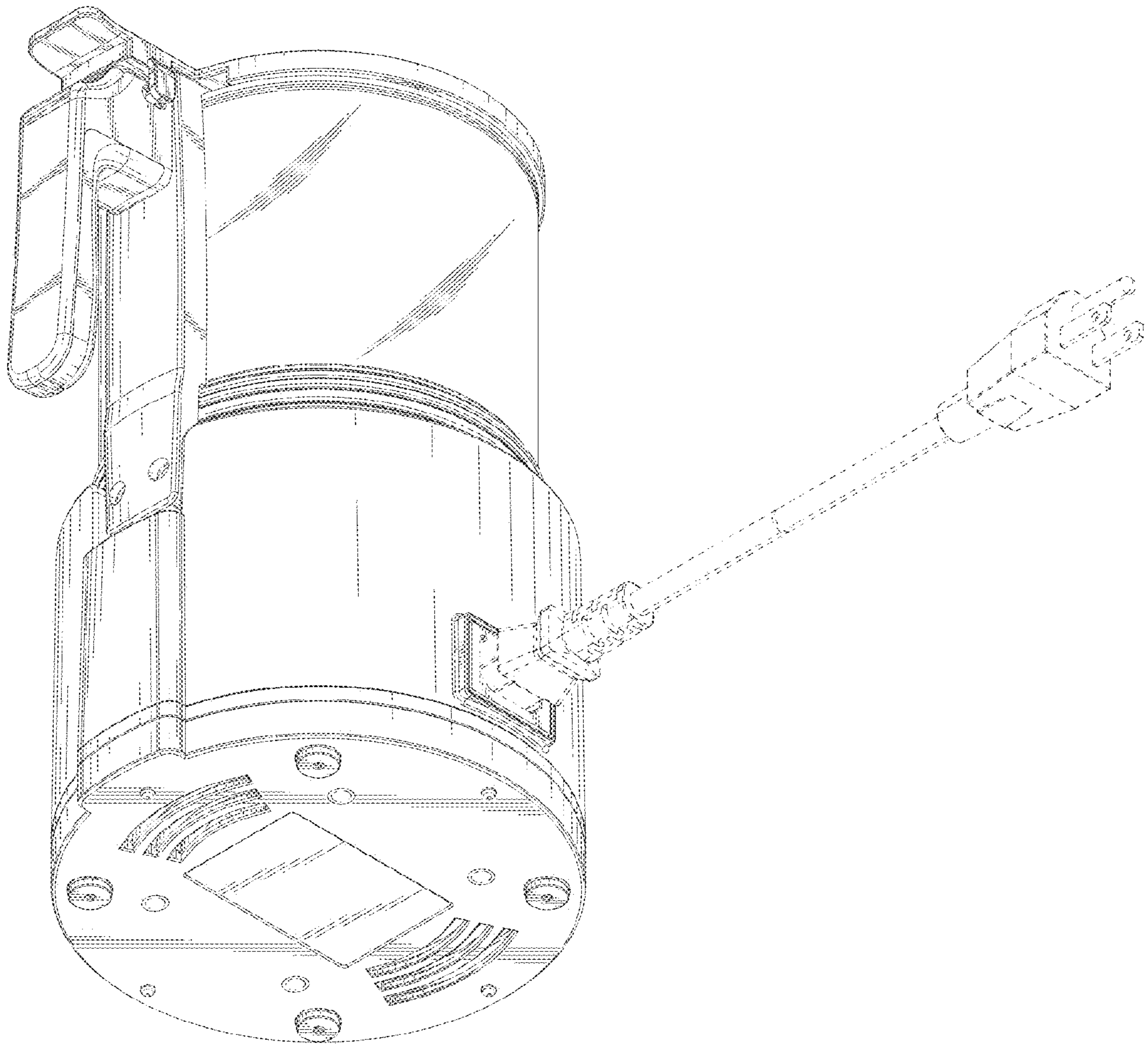


FIG. 2

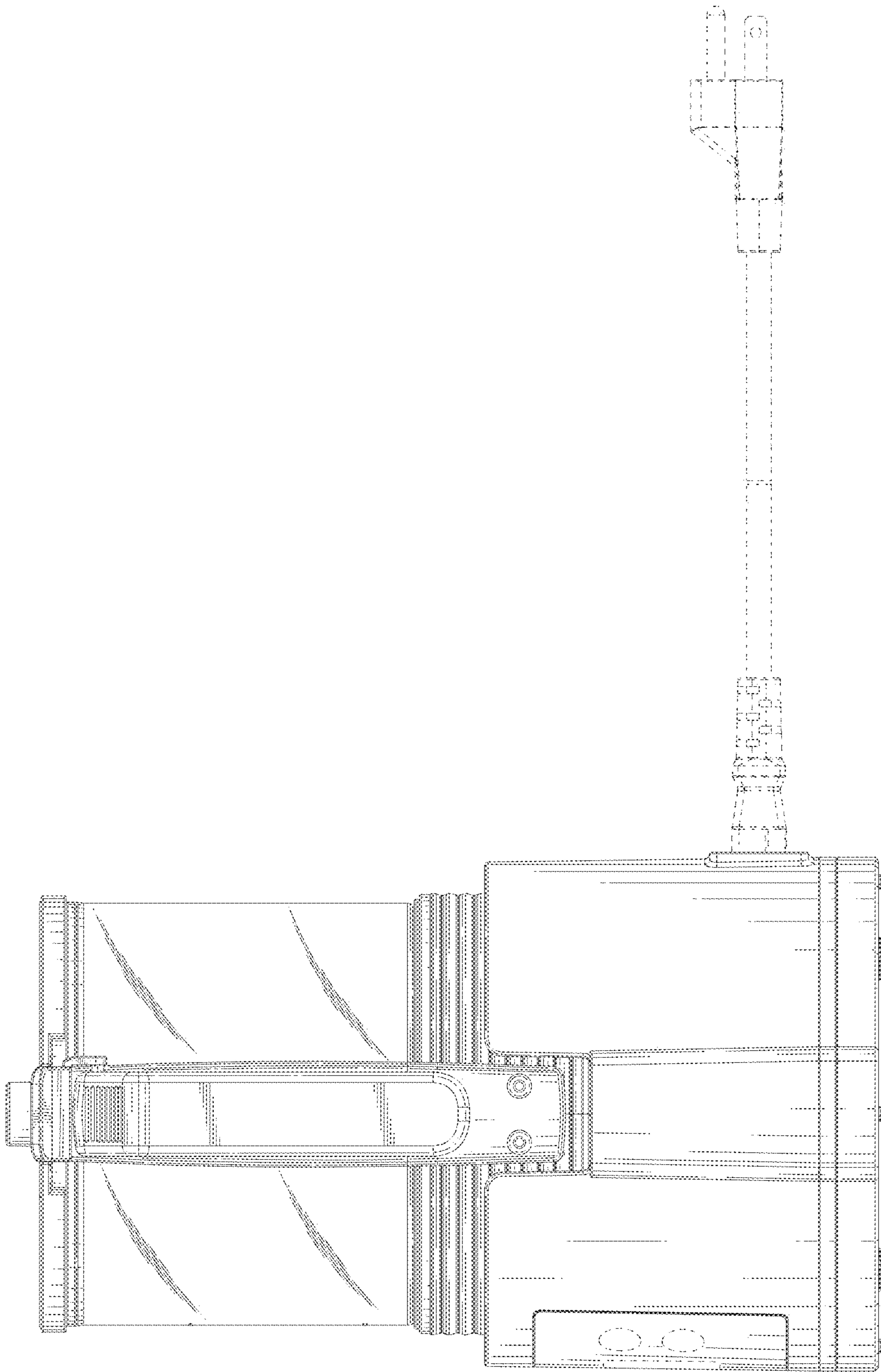


FIG. 3

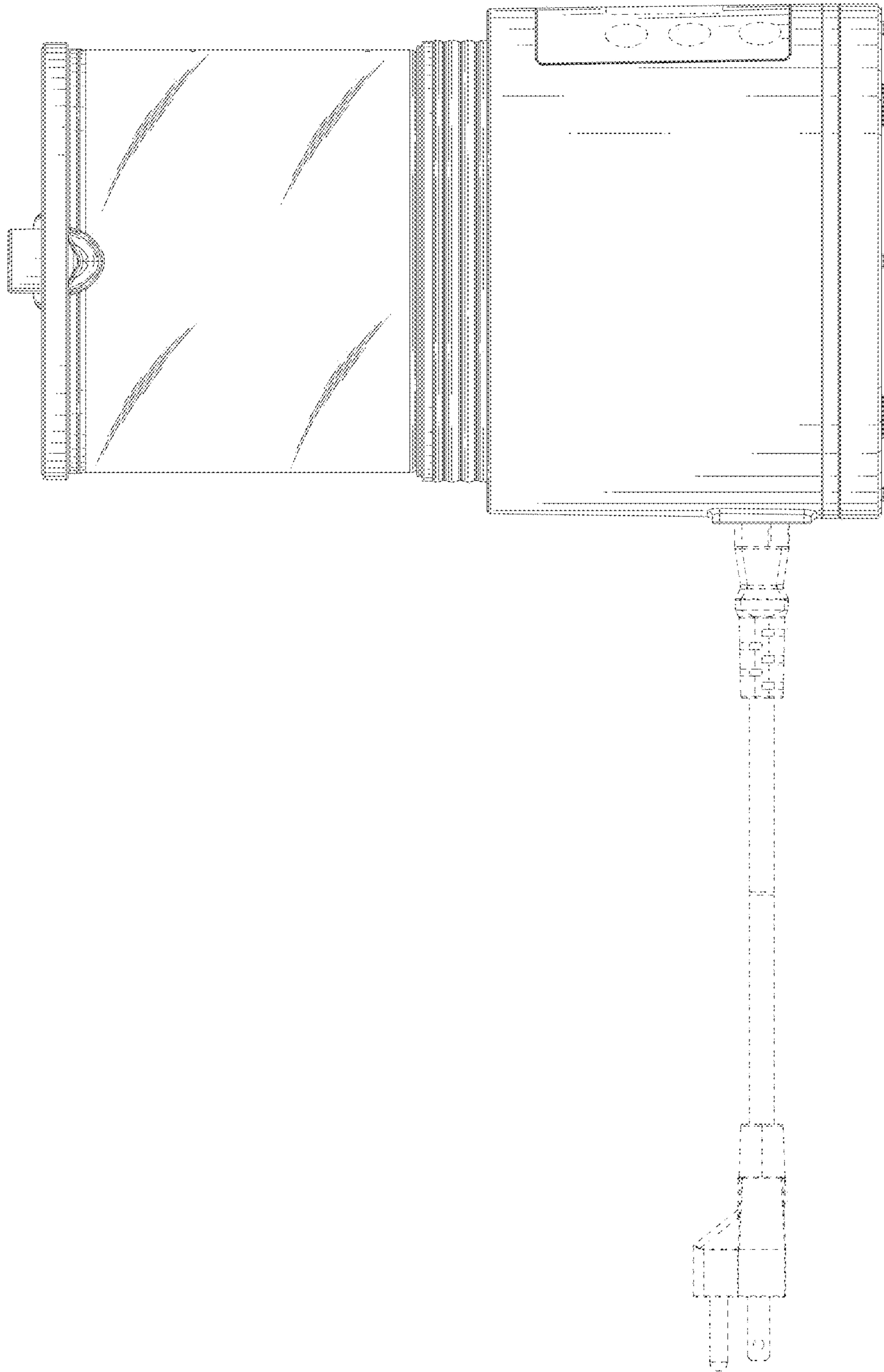


FIG. 4

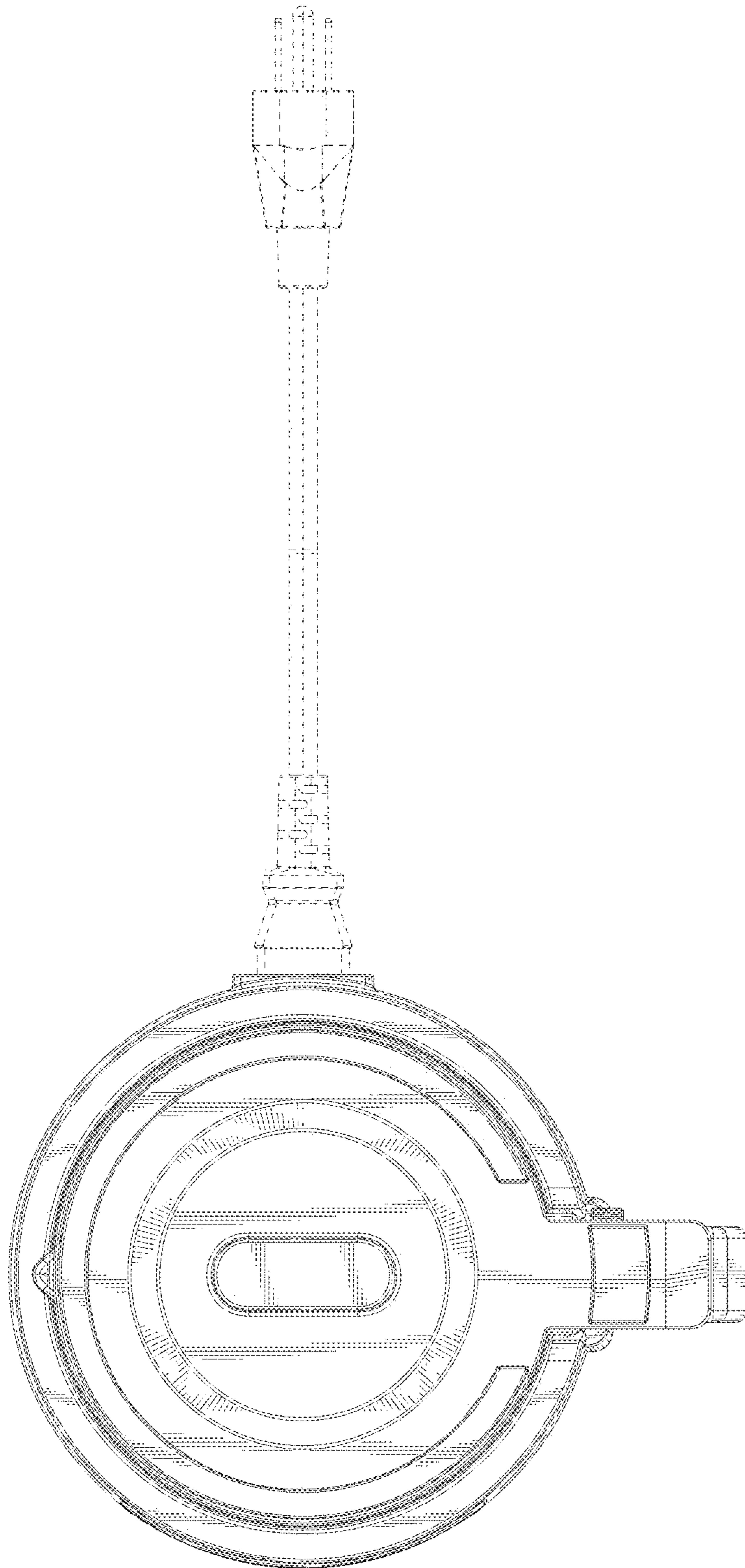


FIG. 5

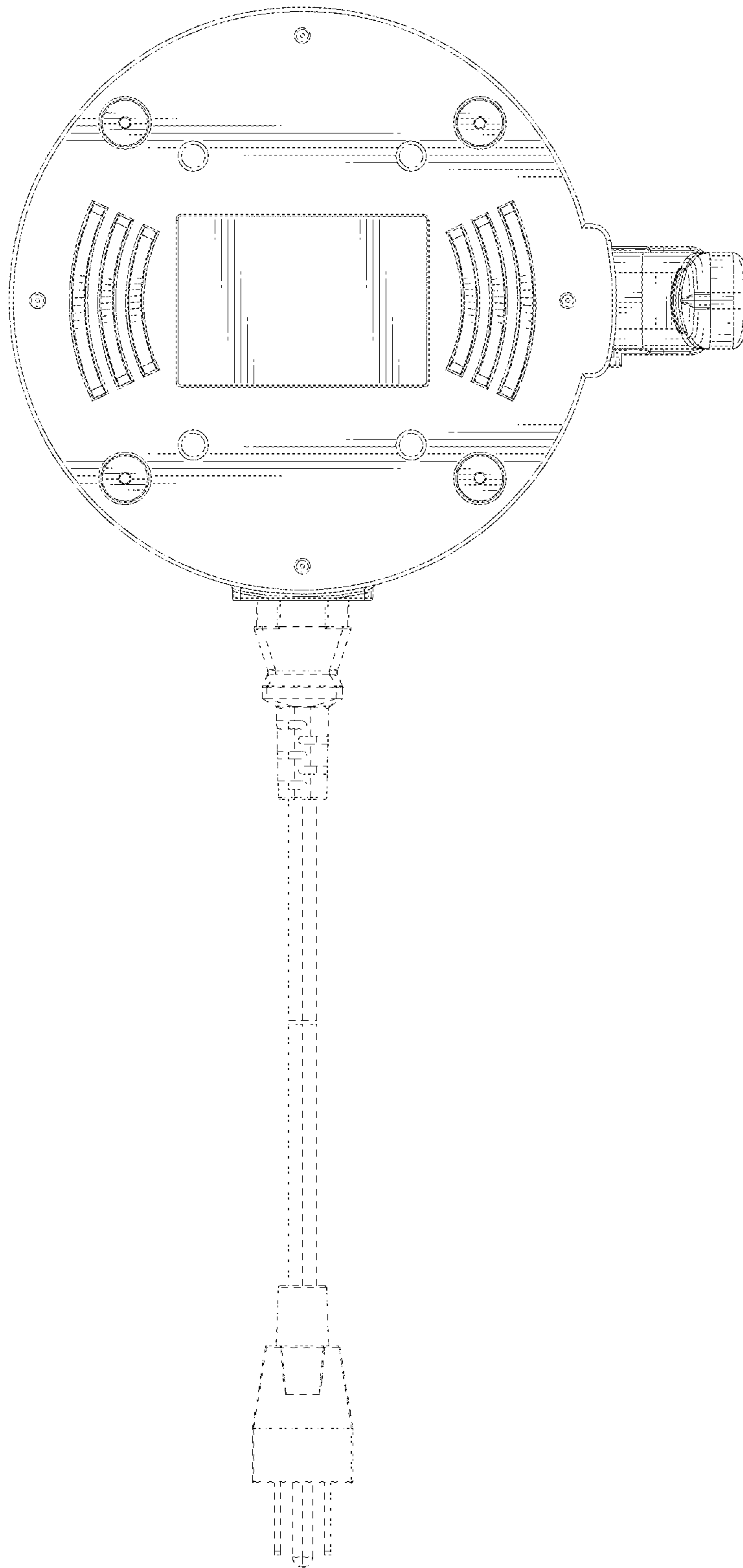


FIG. 6

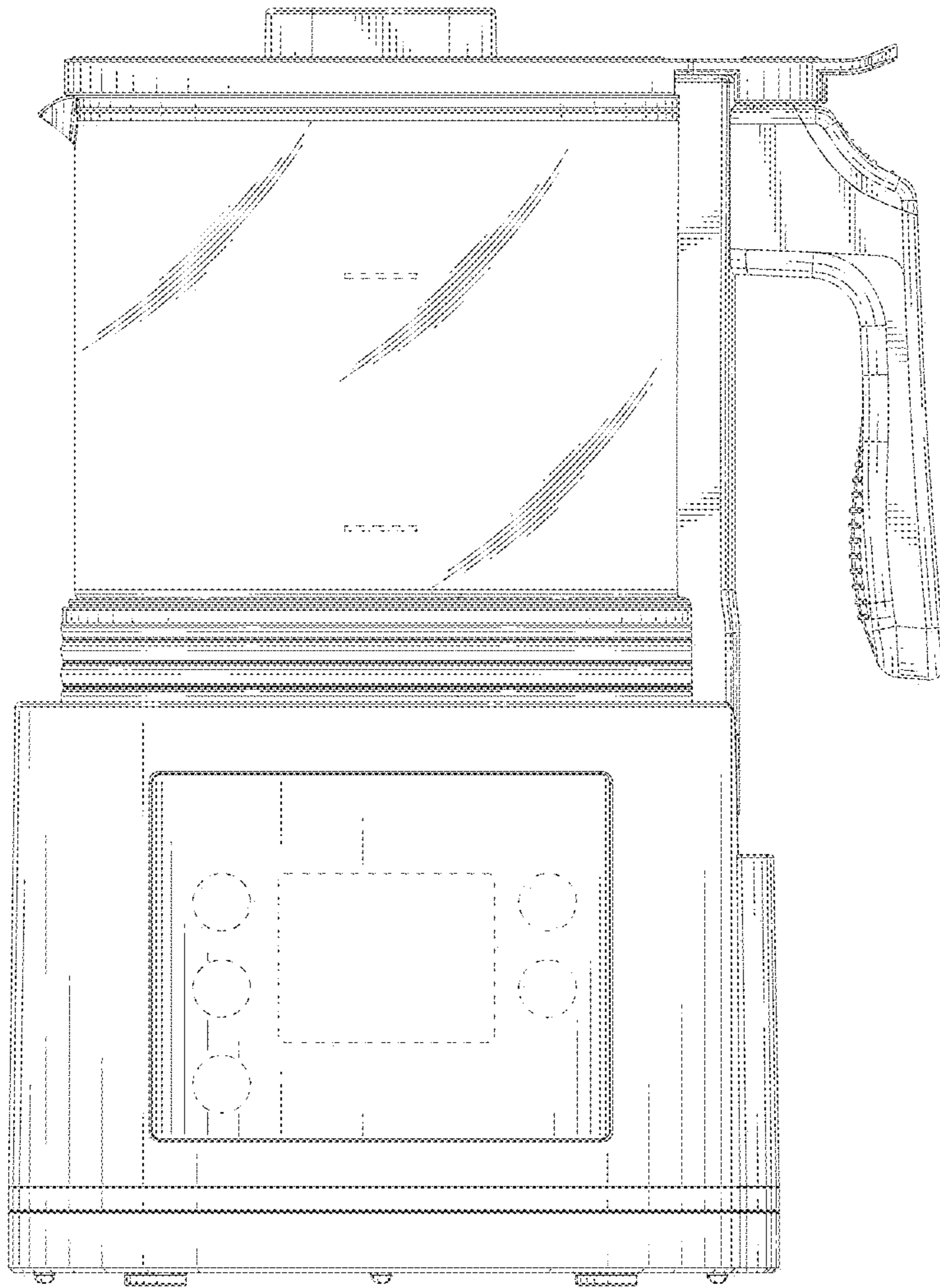


FIG. 7

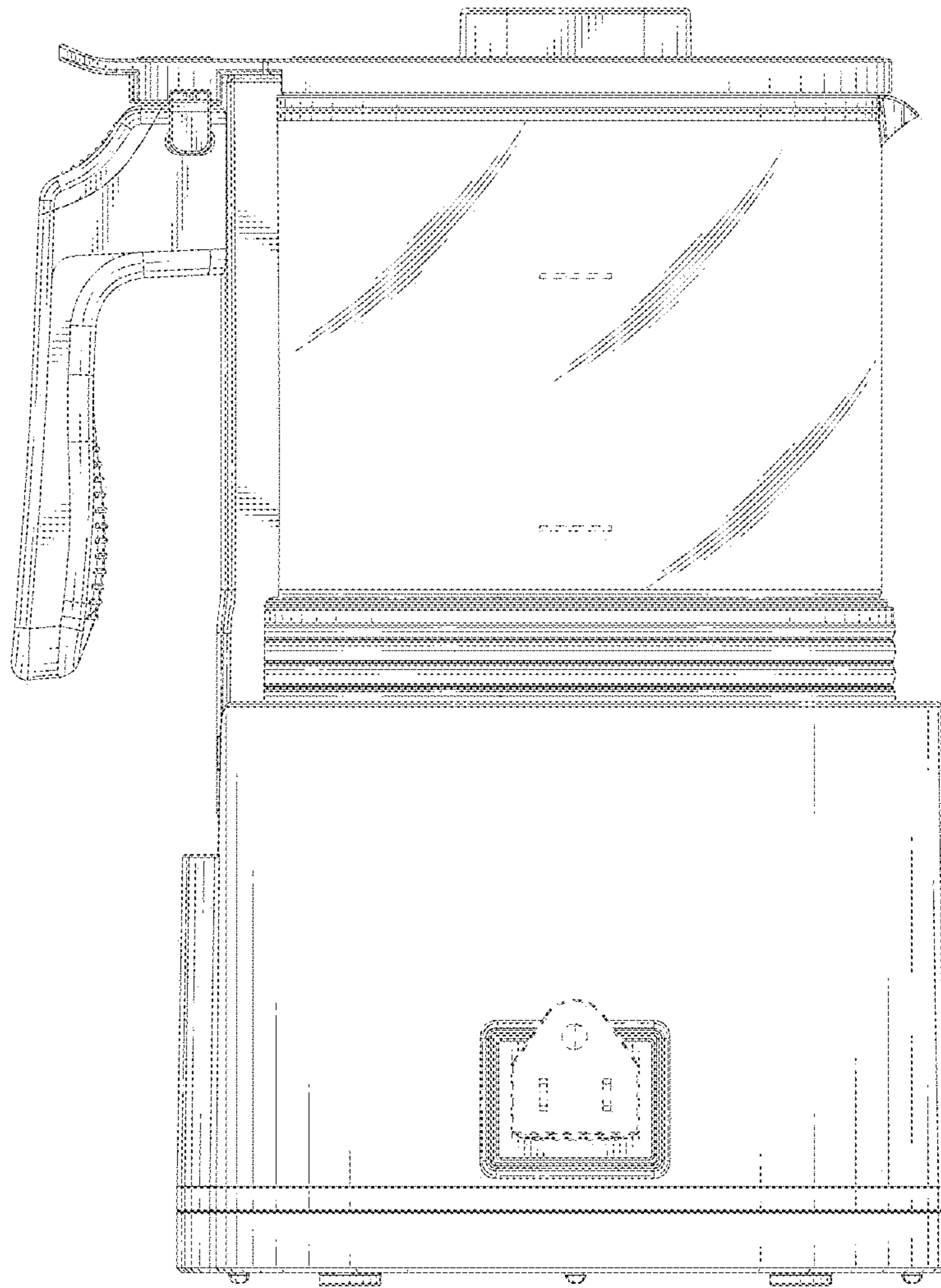


FIG. 8