



US00D980002S

(12) **United States Design Patent**
Yan

(10) **Patent No.:** **US D980,002 S**
(45) **Date of Patent:** **** Mar. 7, 2023**

- (54) **TOASTER**
- (71) Applicant: **CONAIR LLC**, Stamford, CT (US)
- (72) Inventor: **Shangmin Yan**, Foshan (CN)
- (73) Assignee: **Conair LLC**, Stamford, CT (US)
- (**) Term: **15 Years**
- (21) Appl. No.: **29/780,874**
- (22) Filed: **Apr. 27, 2021**
- (51) **LOC (14) Cl.** **07-02**
- (52) **U.S. Cl.**
USPC **D7/330**
- (58) **Field of Classification Search**
USPC D7/323, 328-330, 390
CPC ... A21B 2/00; A47J 37/00; A47J 37/06; A47J
37/0611; A47J 37/08; A47J 37/0807;
A47J 37/0814; A47J 37/0821; A47J
37/0835; A47J 37/0842; A47J 37/085;
A47J 37/0864; A47J 37/0878; A47J
37/0885; A47J 37/0892; F24C 15/10;
F24C 15/102
See application file for complete search history.

D422,833 S	4/2000	Cruz et al.	
D470,355 S	2/2003	Xie et al.	
D470,709 S	2/2003	Starr et al.	
D470,710 S	2/2003	Littmann	
D474,640 S	5/2003	Holderfield et al.	
D496,819 S	10/2004	Enriquez et al.	
D502,629 S	3/2005	Guyett et al.	
D502,839 S	3/2005	Cuffaro et al.	
D523,683 S	6/2006	Guyett et al.	
D527,568 S	9/2006	Page et al.	
D553,421 S *	10/2007	Kim	D7/330
D615,343 S	5/2010	Bock et al.	
D635,390 S *	4/2011	Duncan	D7/330
D661,942 S	6/2012	Palermo et al.	
D688,508 S *	8/2013	Garman	D7/330

(Continued)

OTHER PUBLICATIONS

Black+Decker 2-Slice Extra Wide Slot Toaster. Date First Available on Amazon.com Mar. 25, 2016. <https://www.amazon.com/dp/B01DF53V3E/ref> (Year: 2016).*

Primary Examiner — Ricky Pham
(74) *Attorney, Agent, or Firm* — Grogan, Tuccillo & Vanderleeden, LLP

(57) **CLAIM**

The ornamental design for a toaster, as shown and described.

DESCRIPTION

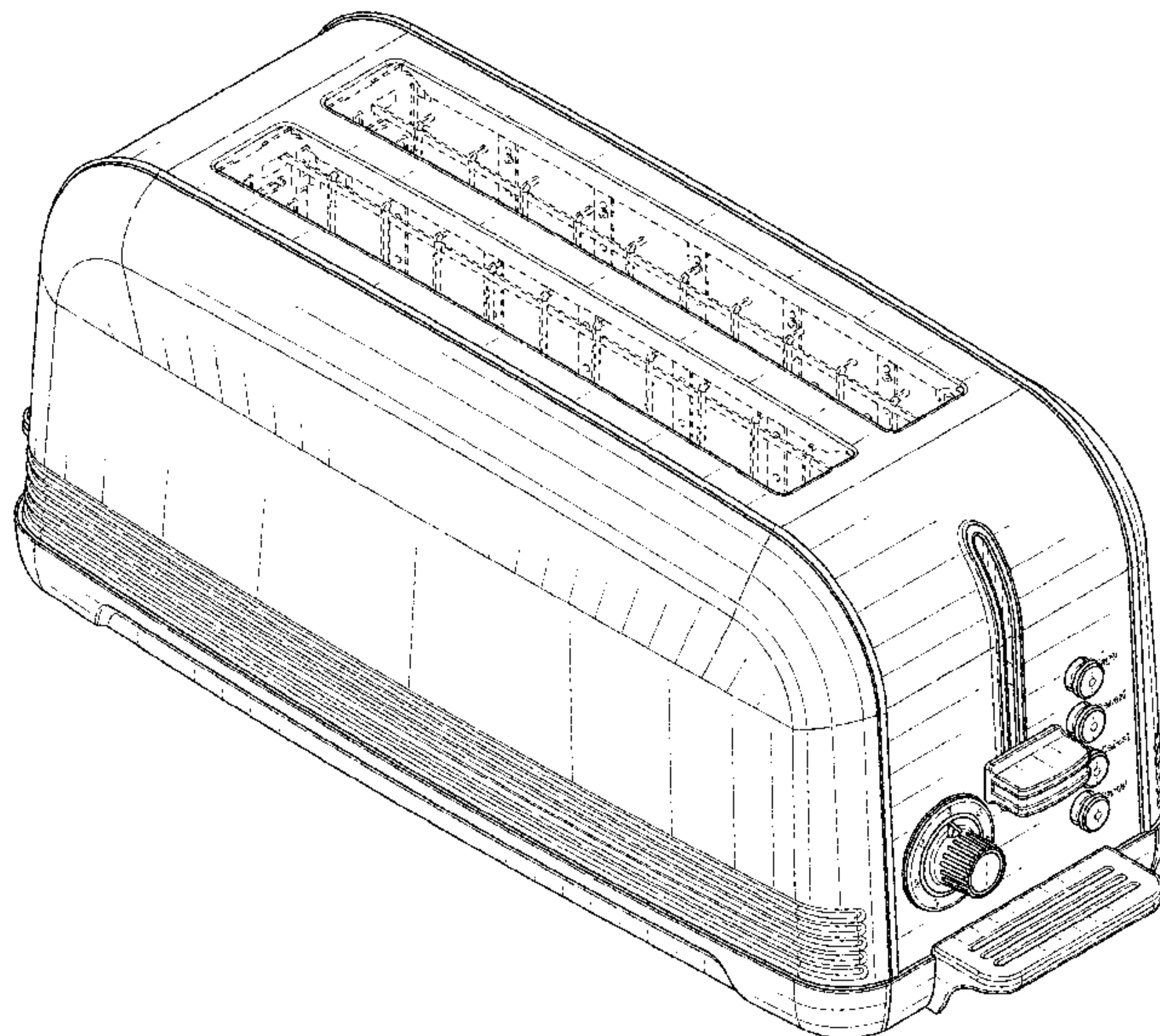
FIG. 1 is a perspective view of a toaster showing a new design;
FIG. 2 is a left side elevational view thereof;
FIG. 3 is a right side elevational view thereof;
FIG. 4 is a rear elevational view thereof;
FIG. 5 is front elevational view thereof;
FIG. 6 is a top plan view thereof; and,
FIG. 7 is a bottom plan view thereof.
The broken lines in the figures illustrate portions of the article which form no part of the claimed design.

1 Claim, 6 Drawing Sheets

(56) **References Cited**

U.S. PATENT DOCUMENTS

D124,059 S *	12/1940	Christenson et al.	D7/330
2,257,906 A *	10/1941	Gough	A47J 37/0821 99/327
2,309,640 A *	2/1943	Gough	A47J 37/0821 99/327
D149,937 S *	6/1948	Dailey	D7/330
D156,153 S *	11/1949	Olson et al.	D7/330
2,611,849 A *	9/1952	Gough	A47J 37/0821 219/510
D185,076 S *	5/1959	Ernest et al.	D7/330
D338,368 S	8/1993	Naft et al.	
D375,017 S	10/1996	Barrault	
D415,924 S *	11/1999	Powel	D7/330



(56)

References Cited

U.S. PATENT DOCUMENTS

D688,509 S	8/2013	Carlson	
D730,676 S *	6/2015	Palmer	D7/330
D746,093 S	12/2015	Bazzicalupo et al.	
D759,417 S	6/2016	Carpenter et al.	
D765,456 S	9/2016	Lee et al.	
D794,995 S	8/2017	Bond et al.	
D810,492 S	2/2018	Carpenter et al.	
D841,386 S	2/2019	McConnell et al.	
D843,768 S	3/2019	Miller et al.	
D862,149 S	10/2019	Gordon et al.	
D947,588 S *	4/2022	Steiner	D7/330
D966,775 S *	10/2022	Steiner	D7/330
D967,667 S *	10/2022	Brook	D7/330

* cited by examiner

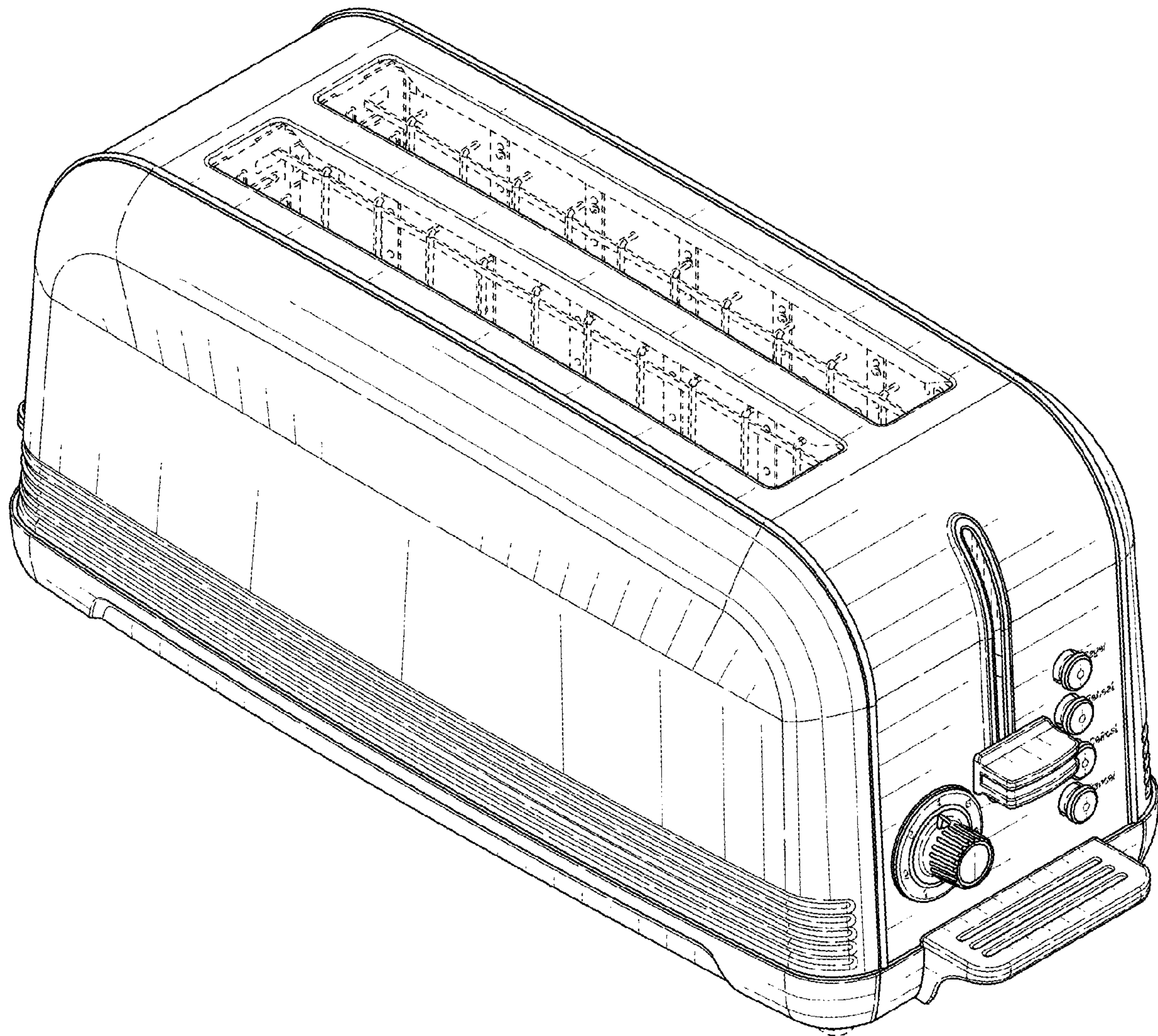


FIG. 1

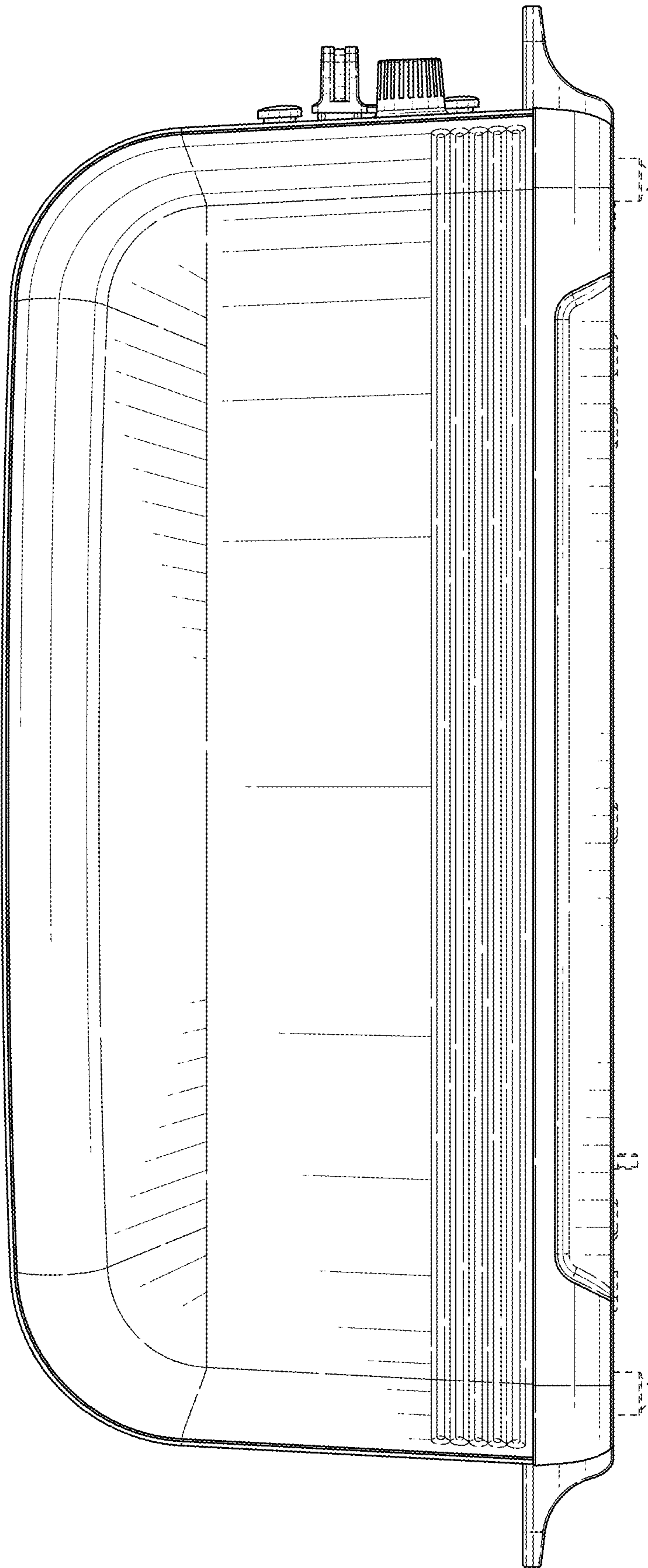


FIG. 2

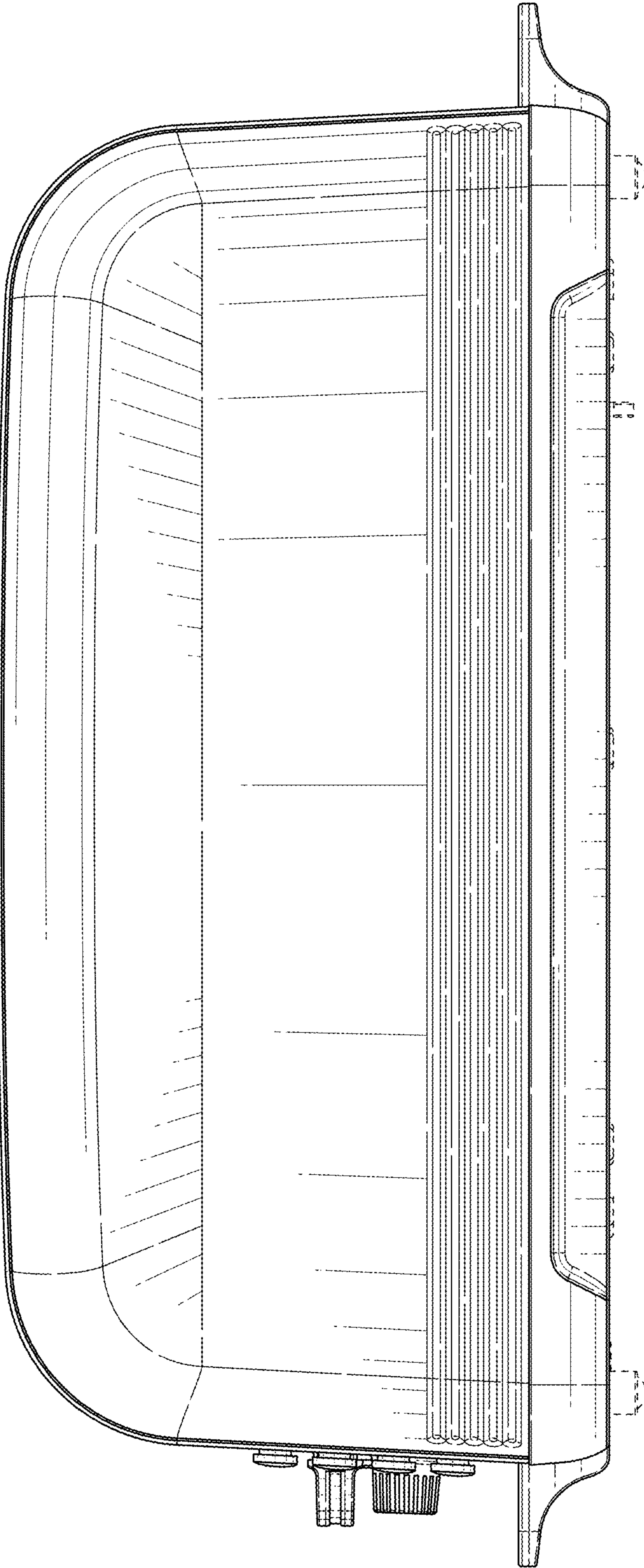


FIG. 3

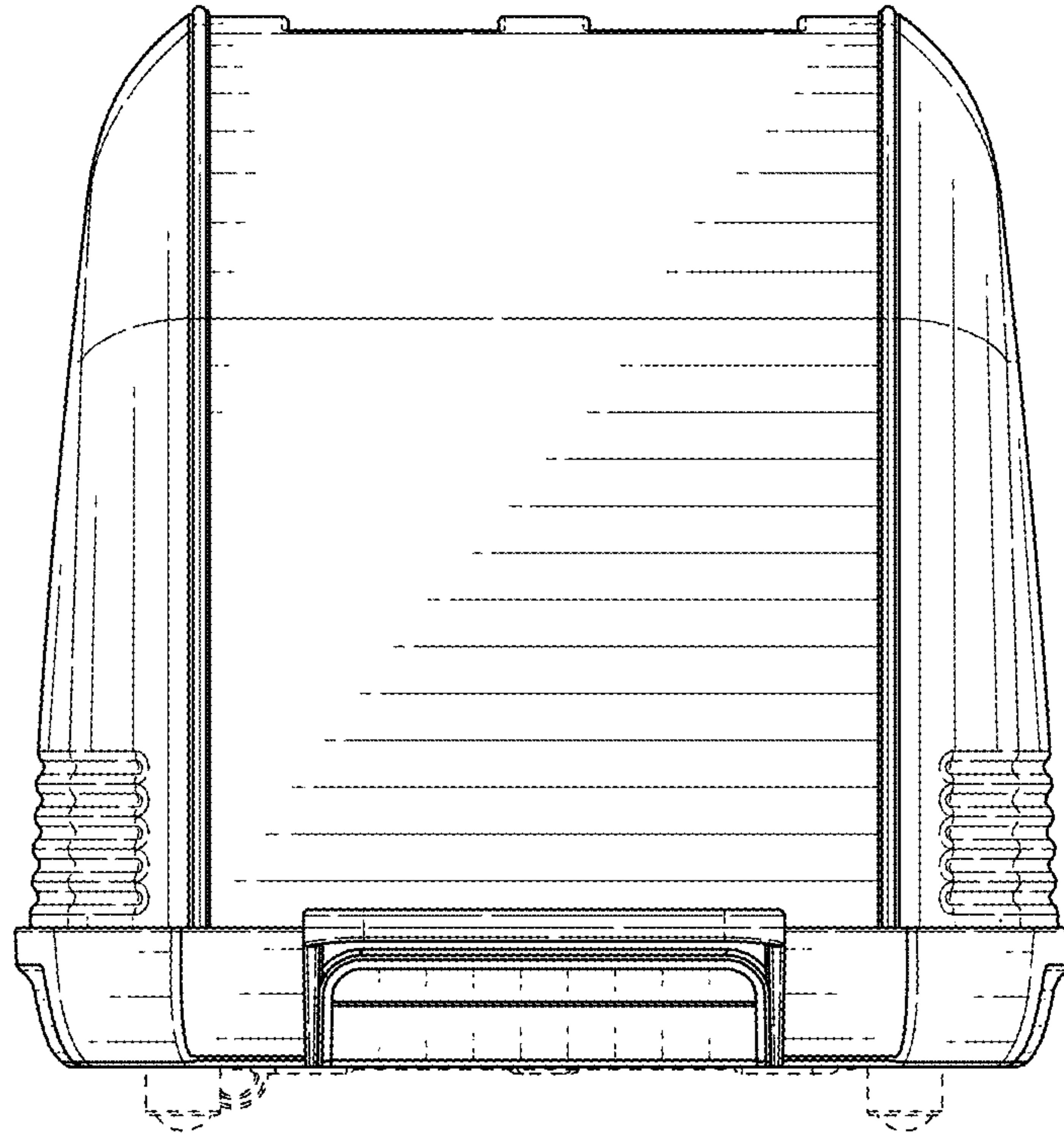


FIG. 4

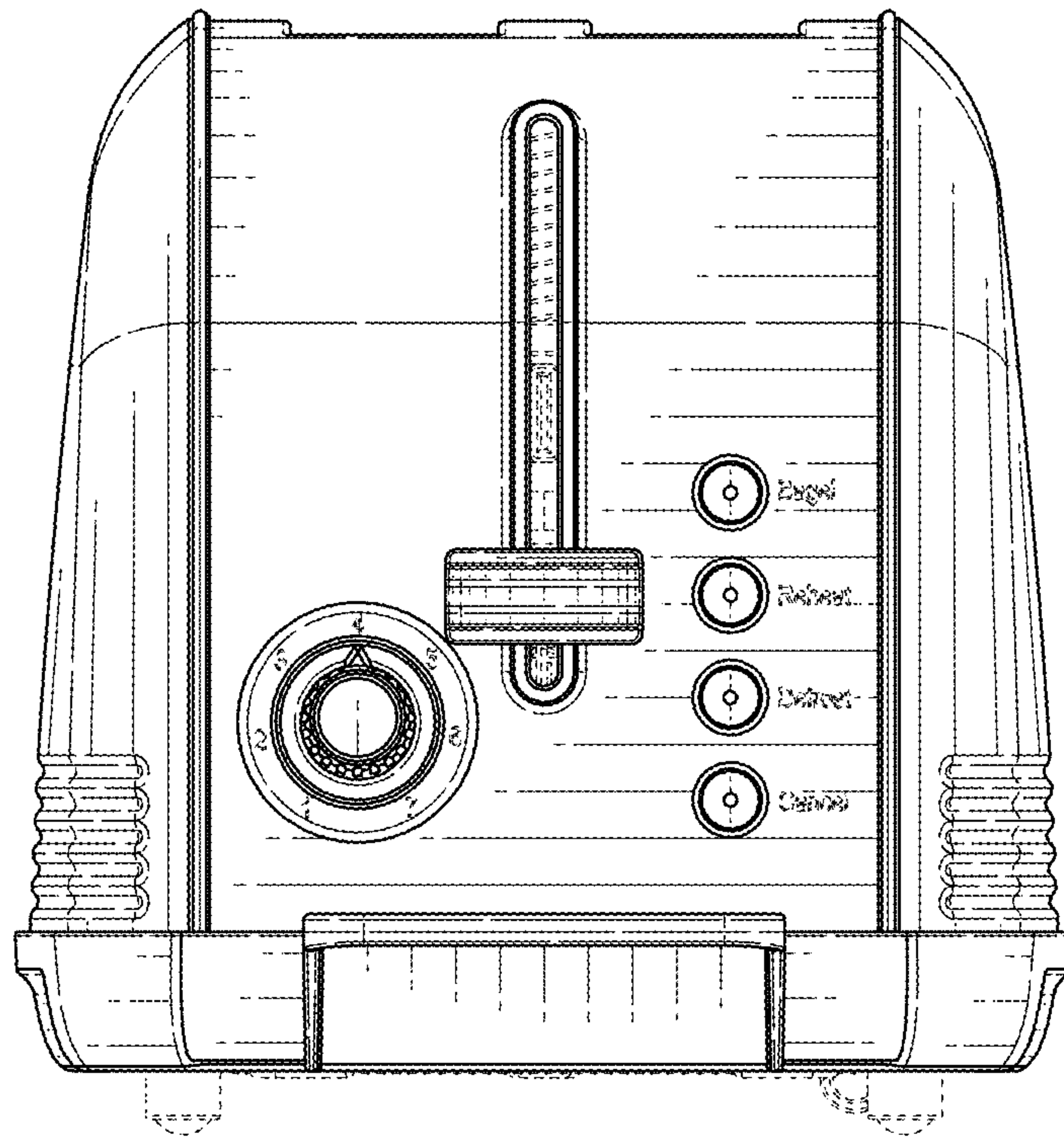


FIG. 5

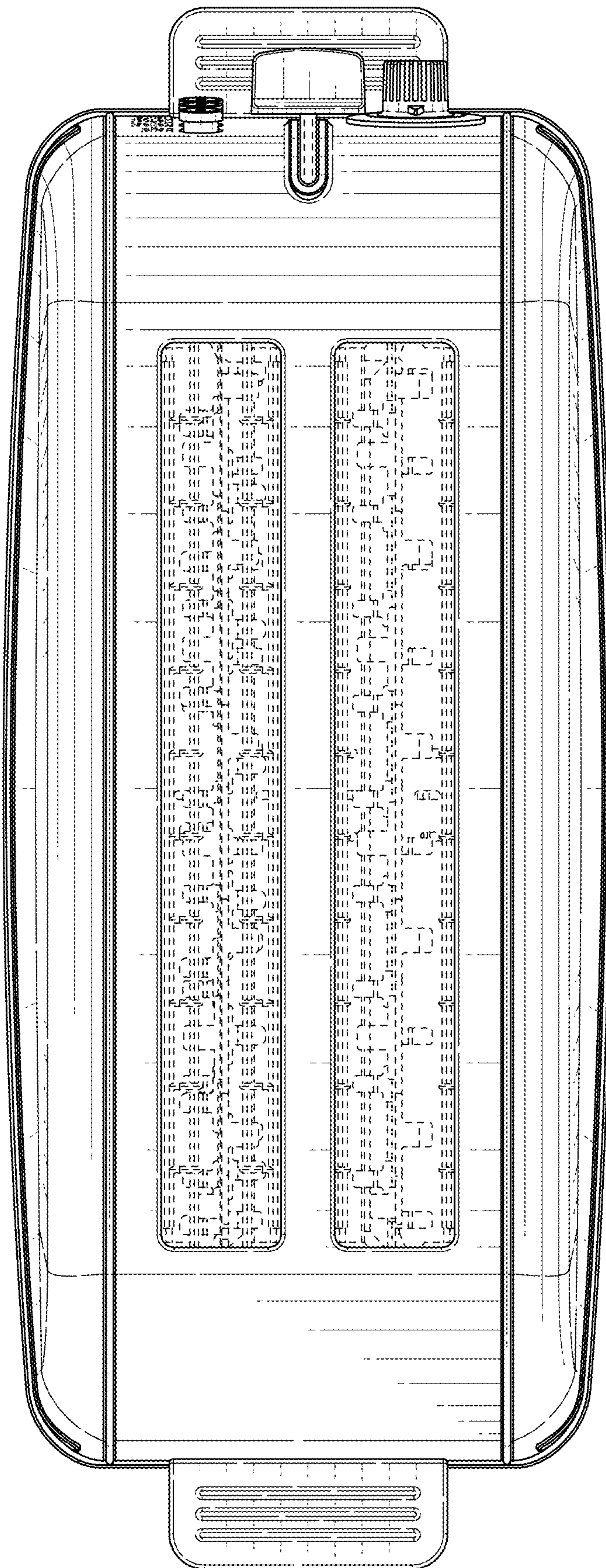


FIG. 6

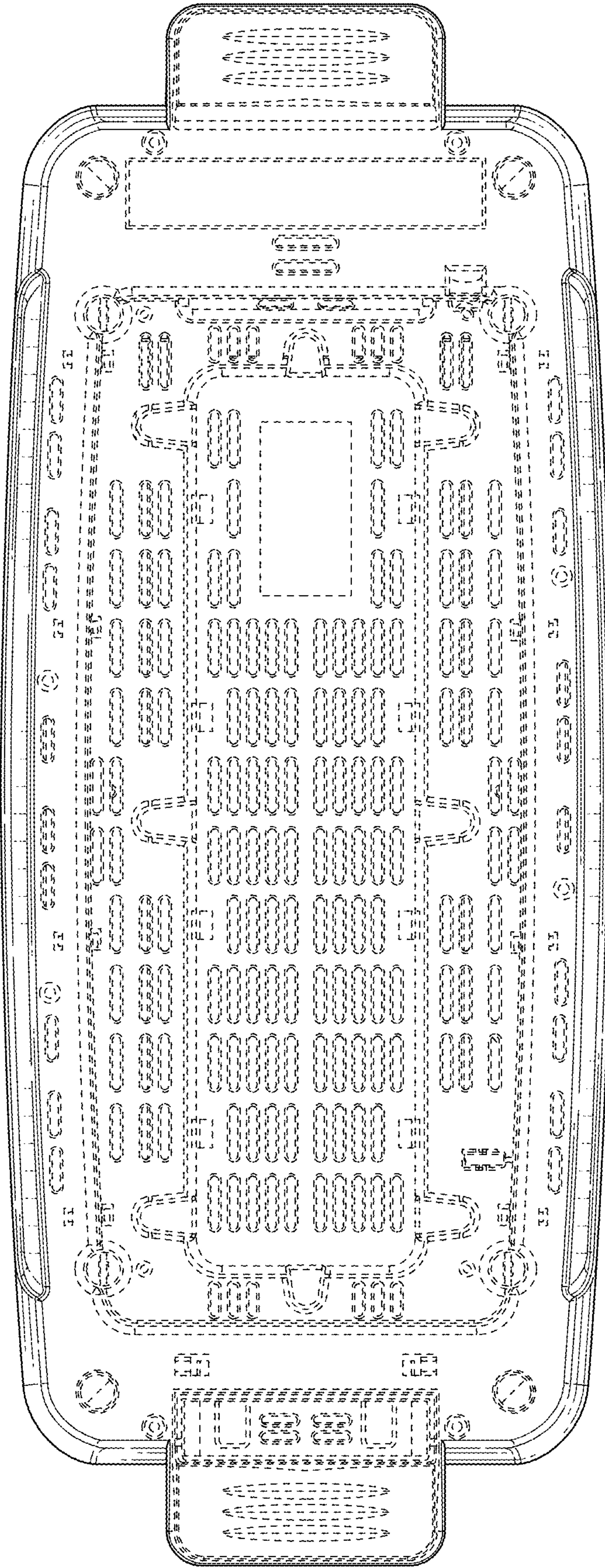


FIG. 7