



US00D980001S

(12) **United States Design Patent**
Miller et al.

(10) **Patent No.:** **US D980,001 S**
(45) **Date of Patent:** **** Mar. 7, 2023**

(54) **TOASTER OVEN**

(71) Applicant: **Spectrum Brands, Inc.**, Middleton, WI (US)

(72) Inventors: **John Aaron Miller**, Marshall, WI (US);
Peter Alan Steiner, Madison, WI (US)

(73) Assignee: **Spectrum Brands, Inc.**, Middleton, WI (US)

(**) Term: **15 Years**

(21) Appl. No.: **29/776,473**

(22) Filed: **Mar. 30, 2021**

(51) **LOC (14) Cl.** **07-02**

(52) **U.S. Cl.**
USPC **D7/328**

(58) **Field of Classification Search**
USPC D7/323, 328–330, 350.1, 350.4, 390
CPC ... A21B 2/00; A47J 37/00; A47J 37/06; A47J
37/0611; A47J 37/08; A47J 37/0807;
A47J 37/0814; A47J 37/0835; A47J
37/0842; A47J 37/085; A47J 37/0864;
A47J 37/0878; A47J 37/0885; A47J
37/0892; F24C 15/10; F24C 15/102
See application file for complete search history.

(56) **References Cited**

U.S. PATENT DOCUMENTS

D253,271 S	*	10/1979	Rakocy	D7/350.4
D300,711 S		4/1989	Moritani		
D304,147 S	*	10/1989	Takada	D7/350.4
D309,078 S		7/1990	Kokubo		
D381,861 S	*	8/1997	Rorke	D7/350.4
D386,938 S		12/1997	Piret		
D406,721 S	*	3/1999	Schubert-Belle	D7/350.4
D437,178 S	*	2/2001	Tanaka	D7/350.4
D439,467 S	*	3/2001	Hsu	D7/350.4
D501,356 S	*	2/2005	Averty	D7/350.4
D532,644 S	*	11/2006	Ball	D7/350.1
D535,516 S		1/2007	Lee et al.		

D565,341 S		4/2008	Jeon et al.		
D614,906 S	*	5/2010	Fiorotto	D7/350.1
D621,649 S		8/2010	Blanchard et al.		
D655,125 S	*	3/2012	Turner	D7/328
D712,694 S		9/2014	Kim et al.		

(Continued)

FOREIGN PATENT DOCUMENTS

CA	59424	10/1987
CN	3639076	5/2007
CN	301378565	11/2010
CN	302251496	12/2012
CN	302348237	3/2013

(Continued)

OTHER PUBLICATIONS

“De’Longhi—Livenza Convection Totaster/Pizza Oven—Stainless Steel”, Bestbuy.com; retrieved Feb. 2, 2021; disclosure date unknown but prior to the filing date of present application; URL: <<https://www.bestbuy.com/site/delonghi-livenza-convection-toaster-pizza-oven-stainless-steel/5709034.p?skuId=5709034>>.

(Continued)

Primary Examiner — Ricky Pham
(74) *Attorney, Agent, or Firm* — Foley & Lardner LLP

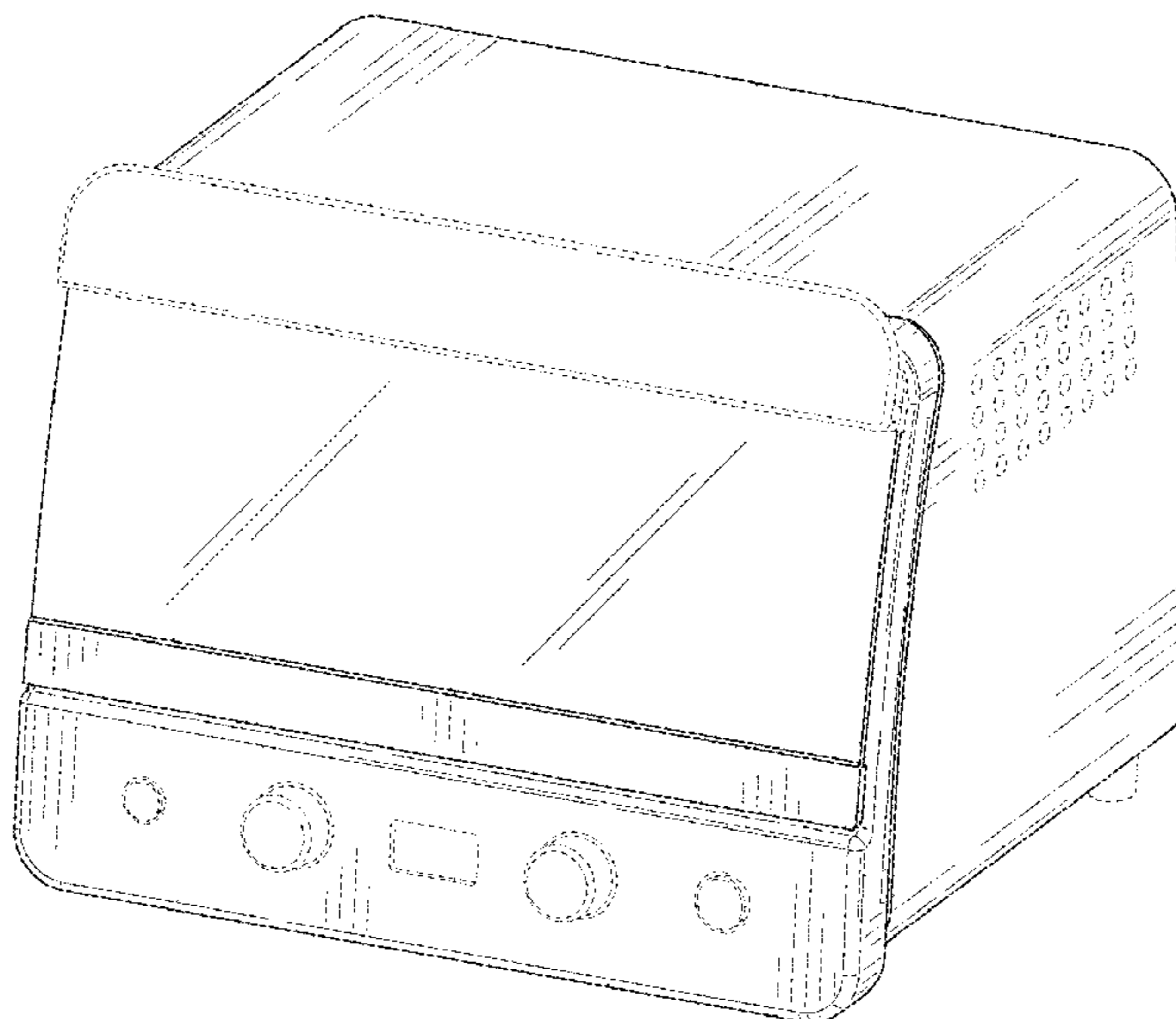
(57) **CLAIM**

The ornamental design for a toaster oven, as shown and described.

DESCRIPTION

FIG. 1 is a front perspective view of a toaster oven showing our new design;
FIG. 2 is a front view thereof;
FIG. 3 is a right side view thereof;
FIG. 4 is a left side view thereof; and,
FIG. 5 is a top view thereof.
The broken lines depicting the remainder of the toaster oven form no part of the claimed design.

1 Claim, 5 Drawing Sheets



(56)

References Cited

U.S. PATENT DOCUMENTS

D723,323 S * 3/2015 Carlson D7/350.1
 D764,227 S 8/2016 Jeon et al.
 D780,504 S 3/2017 Terao
 D825,247 S 8/2018 Dash et al.

FOREIGN PATENT DOCUMENTS

CN	302473959	6/2013
CN	302899544	8/2014
CN	303652628	4/2016
CN	303659767	5/2016
CN	303766389	8/2016
CN	304320447	10/2017
CN	304357831	11/2017
CN	304533748	3/2018
CN	304792392	8/2018
CN	304972078	1/2019
CN	304972100	1/2019
CN	305200435	6/2019
CN	305994306	8/2020
CN	306016925	8/2020
CN	301210499	5/2021
EM	006721742-0003	8/2019

OTHER PUBLICATIONS

“Gourmia Digital Stainless Steel Toaster Oven Air Fryer—Silver”, Target.com; retrieved Mar. 1, 2021; disclosure date unknown but prior to the filing date of present application; URL: <<https://www.target.com/p/gourmia-digital-stainless-steel-toaster-oven-air-fryer-8211-silver/-/A-80137212>>.

target.com/p/gourmia-digital-stainless-steel-toaster-oven-air-fryer-8211-silver/-/A-80137212>.

“Hamilton Beach 6-Slice Capacity Toaster Oven”, Macys.com; retrieved Feb. 2, 2021; disclosure date unknown but prior to the filing date of present application; URL: <https://www.macys.com/shop/product/hamilton-beach-6-slice-capacity-toaster-oven?ID=6664102&CategoryID=7575&sizes=TOASTER_TYPE!!Toaster%20Ovens>.

“Hamilton Beach Sure-Crisp Air Fryer Toaster Oven”, Kohl’s; retrieved Feb. 2, 2021; disclosure date unknown but prior to the filing date of present application; URL: <https://www.kohls.com/product/prd-4499844/hamilton-beach-sure-crisp-air-fryer-toaster-oven.jsp?skuid=55142004&CID=shopping30&utm_campaign=SMALL%20ELECTRICS&utm_medium=CSE&utm_source=google&utm_product=55142004&utm_campaignid=9836151764&gclid=EA1aIQobChM1oP-0ufTL7glVC6CzCh1YswvuEAQYFCABEgL6UPD_BwE&gclid=aw.ds>.

“LG 18 Inch Wide 0.9 Cu. Ft. 1000 Watt Countertop Microwave with Smart Inverter”, Build.com; retrieved Mar. 1, 2021; disclosure date unknown but prior to the filing date of present application; URL: <<https://www.build.com/lg-lmc0975/s1325675?uid=3160957>>.

“Micom Toaster Oven ET-ZLC30”, Zojirushi Online Store; retrieved Mar. 1, 2021; disclosure date unknown but prior to the filing date of present application; URL: <<https://shop.zojirushi.com/products/etzlc>>.

* cited by examiner

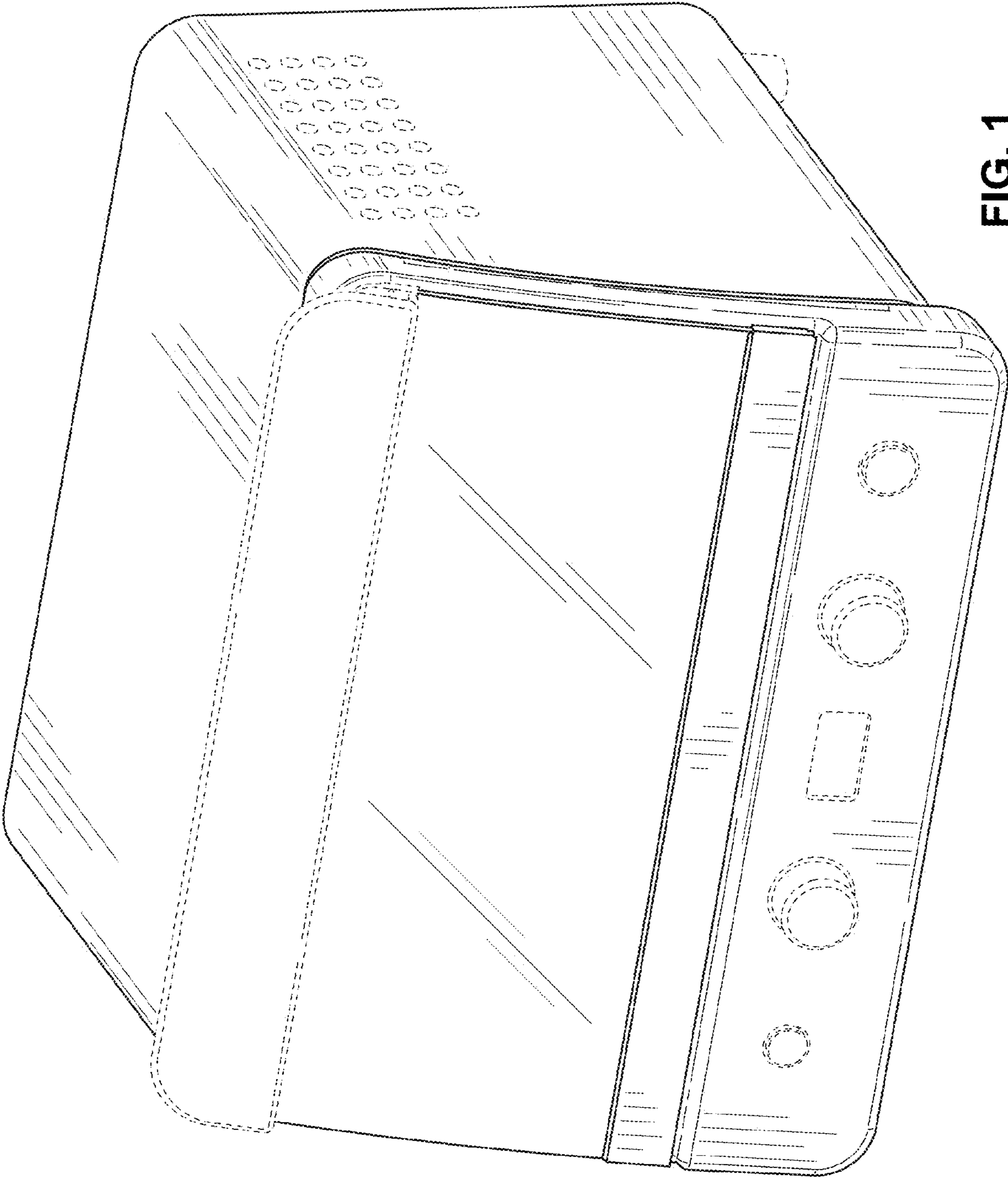


FIG. 1

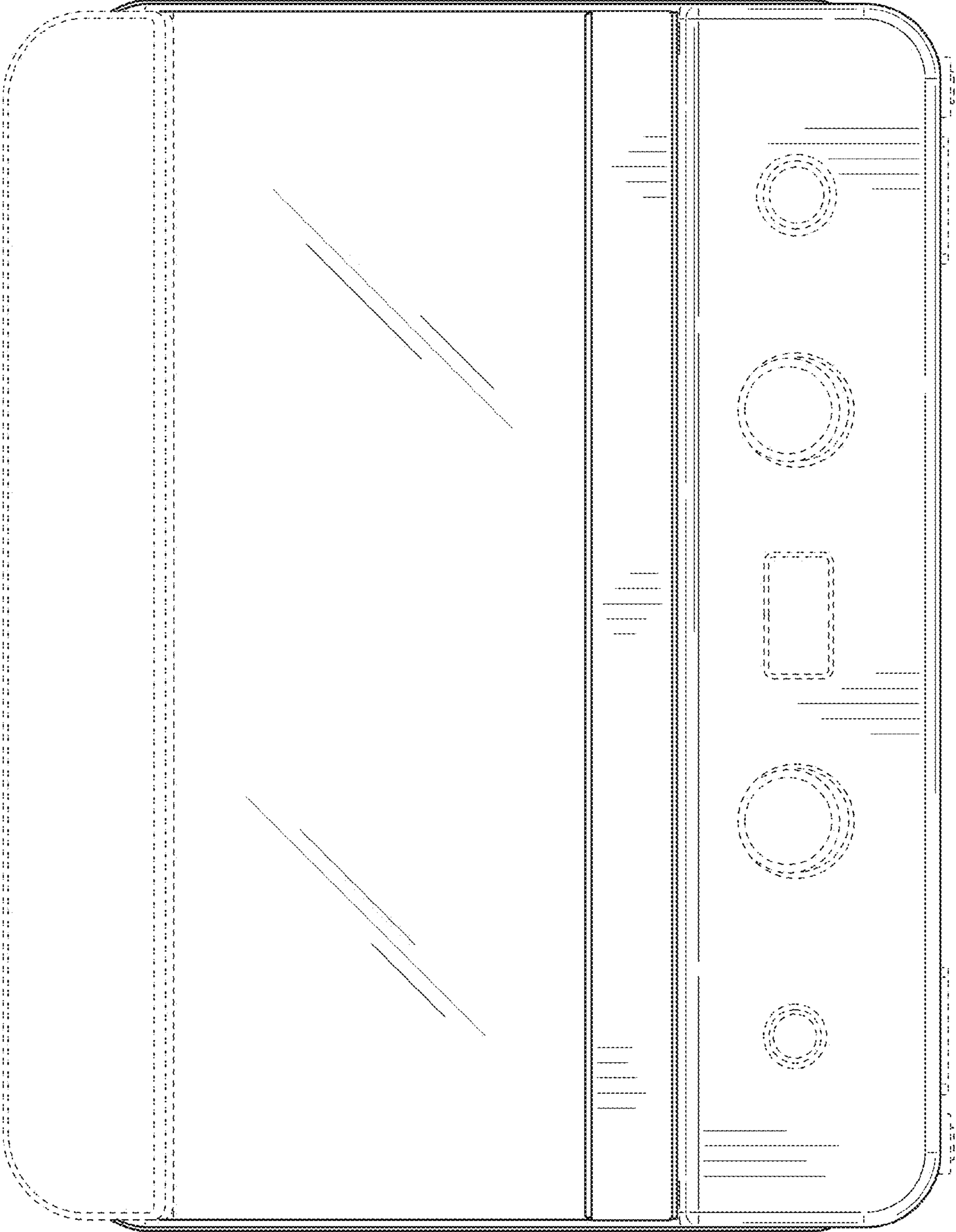


FIG. 2

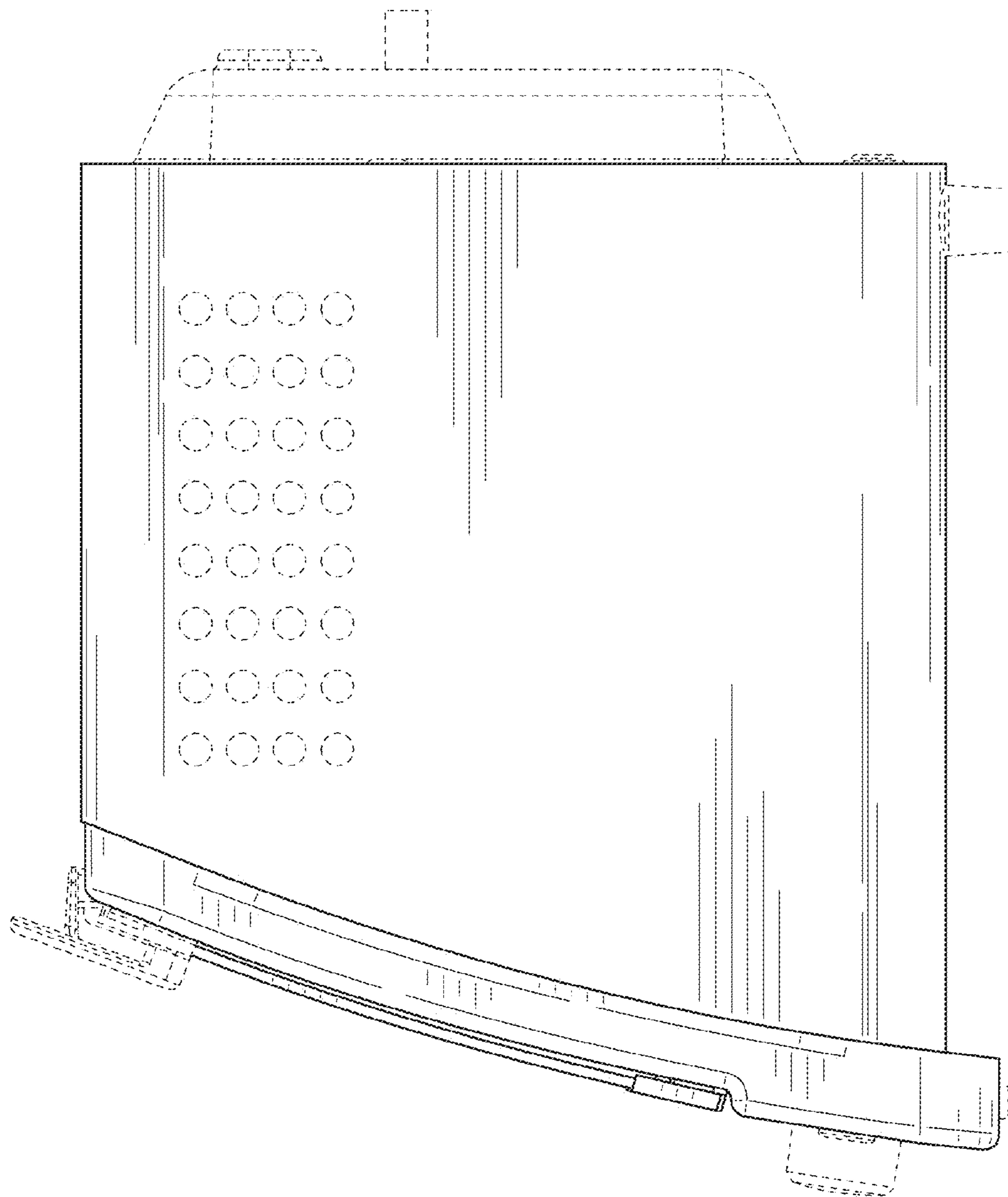


FIG. 3

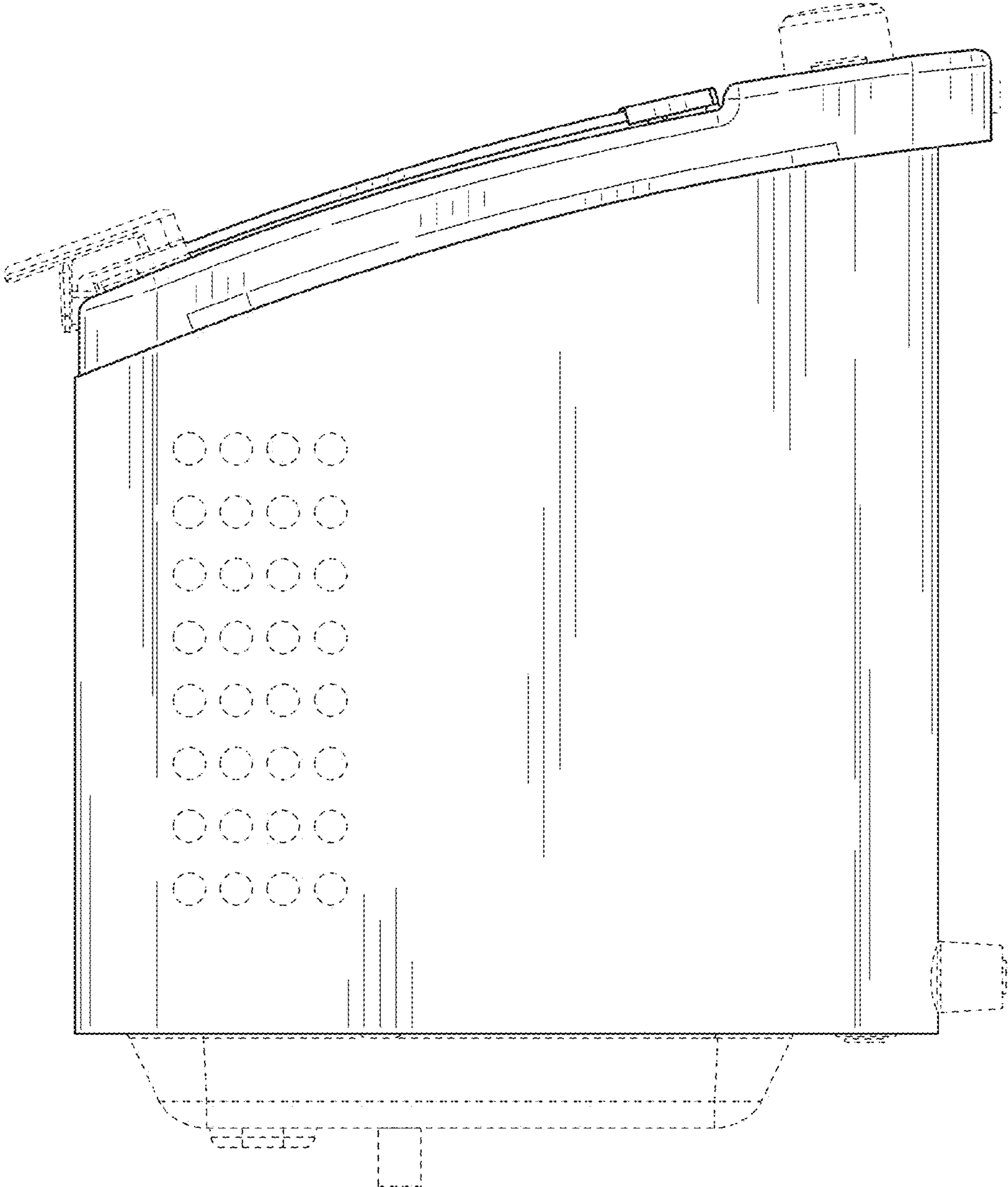


FIG. 4

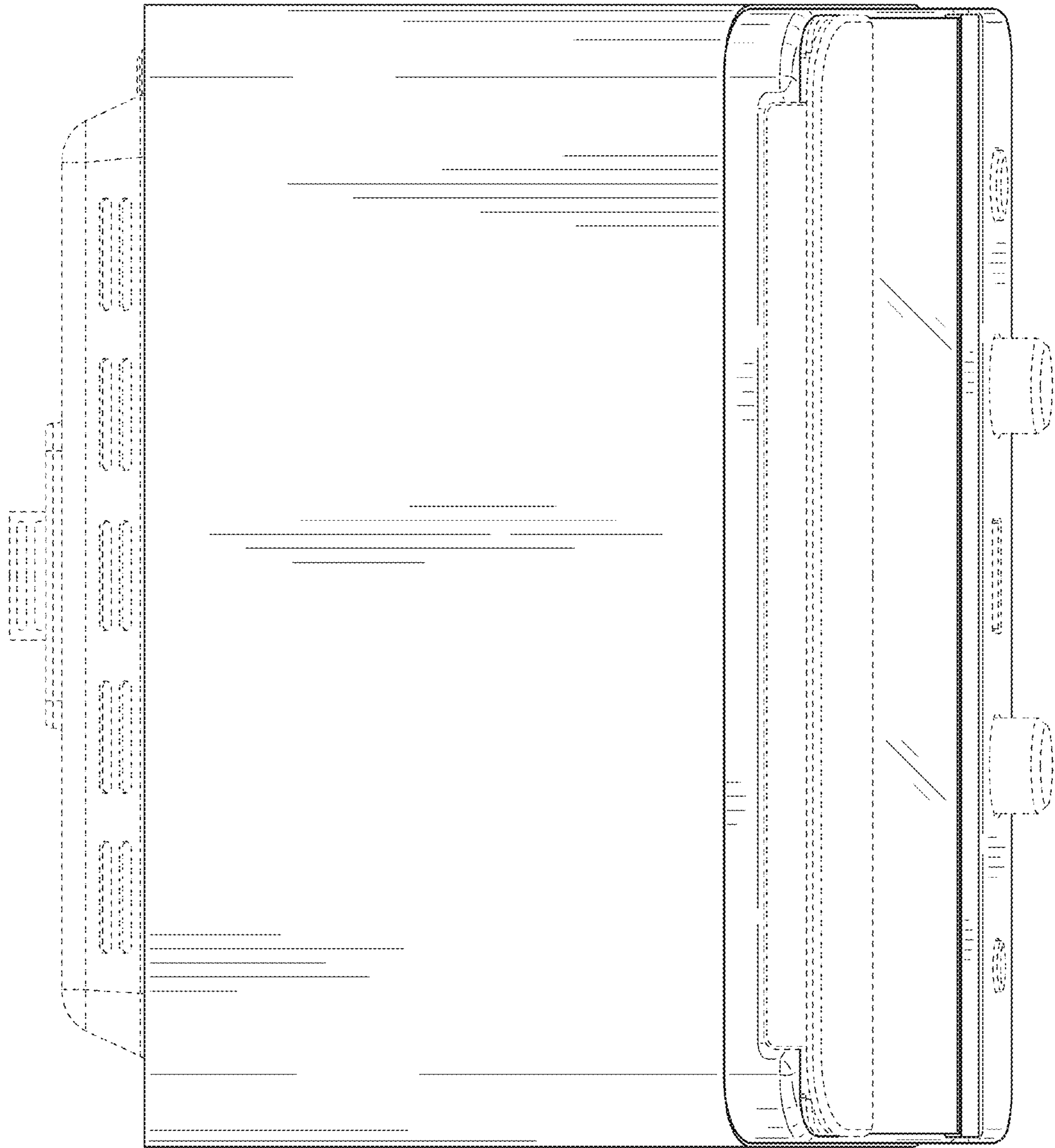


FIG. 5